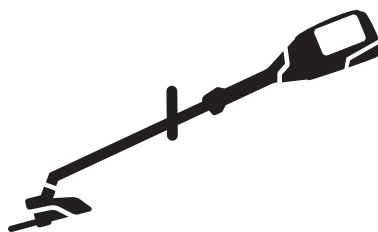




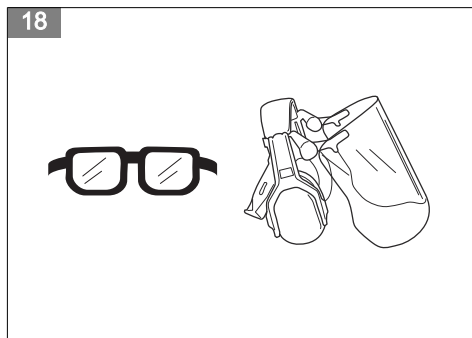
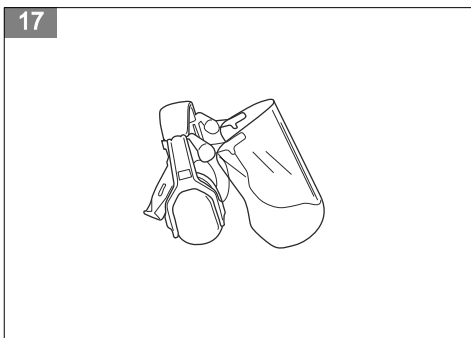
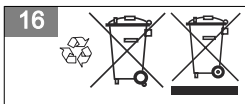
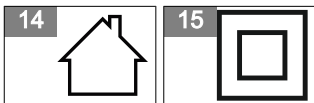
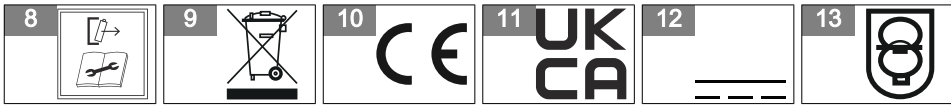
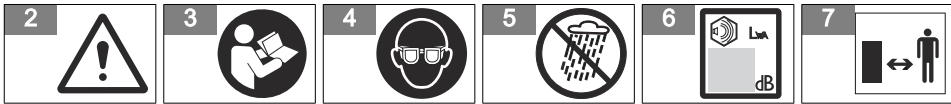
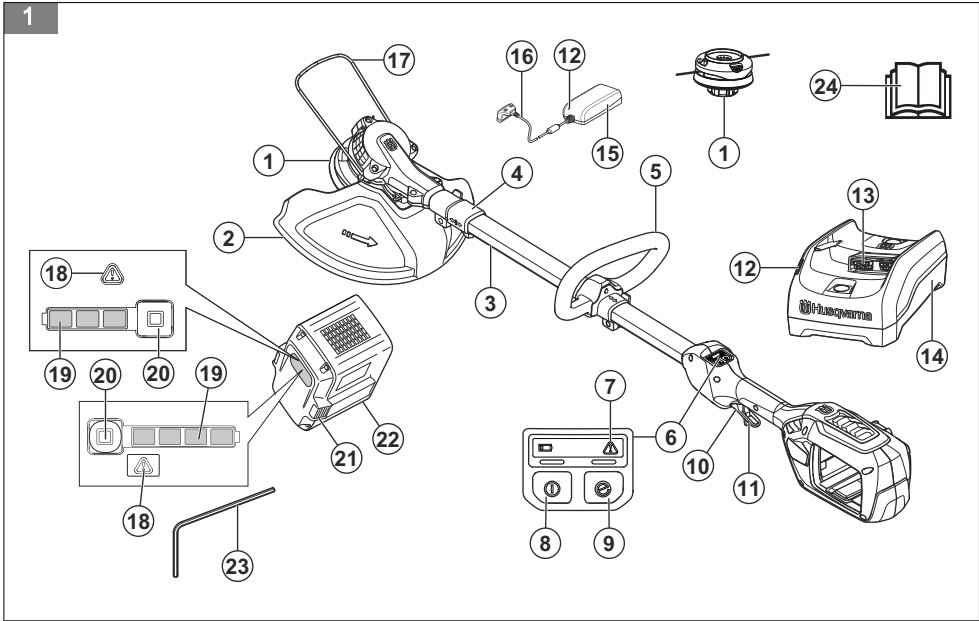
# Husqvarna®



## 215iL



EN	Operator's manual	7-22
BG	Ръководство за експлоатация	22-40
CS	Návod k použití	40-55
DA	Brugsanvisning	55-70
DE	Bedienungsanweisung	70-88
EL	Οδηγίες χρήσης	88-106
ES	Manual de usuario	106-122
ET	Kasutusjuhend	122-137
FI	Käyttöohje	137-151
FR	Manuel d'utilisation	151-168
HR	Priručnik za korištenje	168-183
HU	Használati utasítás	183-199
IT	Manuale dell'operatore	199-215
JA	取扱説明書	215-230
LT	Operatoriaus vadovas	230-246
LV	Lietošanas pamācība	246-262
NL	Gebruiksaanwijzing	262-278
NO	Bruksanvisning	278-293
PL	Instrukcja obsługi	293-309
PT	Manual do utilizador	309-326
RO	Instrucțiuni de utilizare	326-342
RU	Руководство по эксплуатации	342-360
SK	Návod na obsluhu	360-376
SL	Navodila za uporabo	376-391
SR	Priručnik za rukovaoca	391-406
SV	Bruksanvisning	406-421
TR	Kullanım kılavuzu	421-436
UK	Посібник користувача	436-453



19



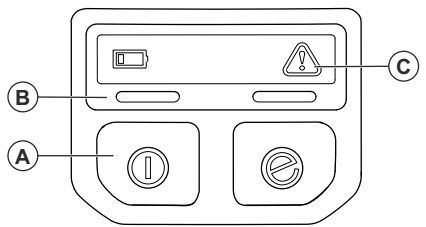
20



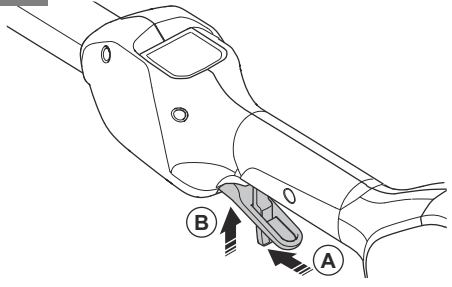
21



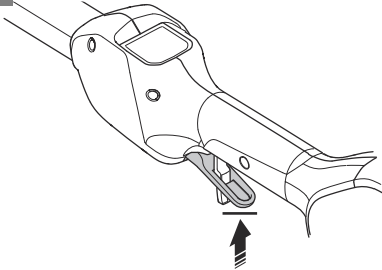
22



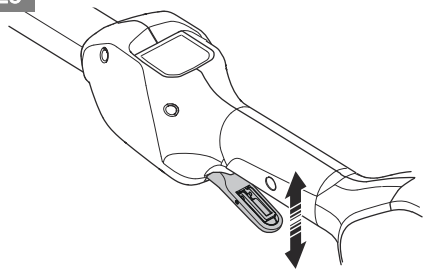
23



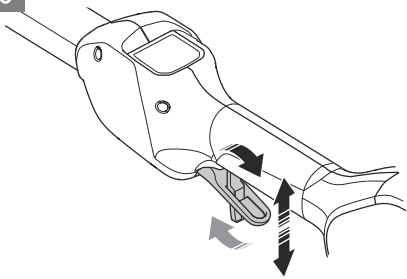
24



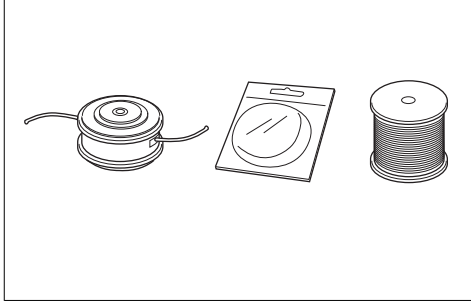
25



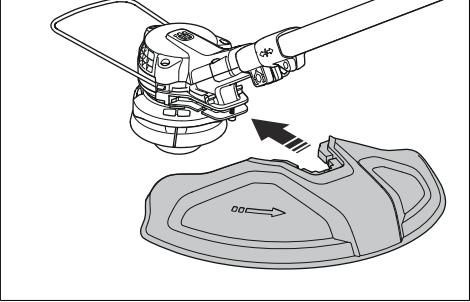
26



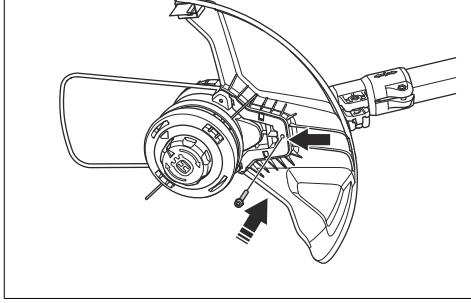
27



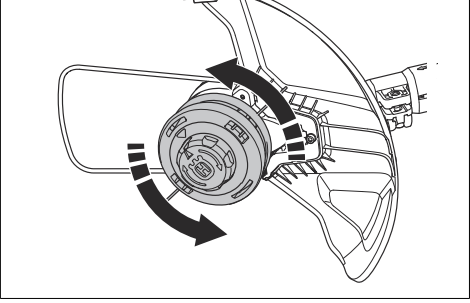
28



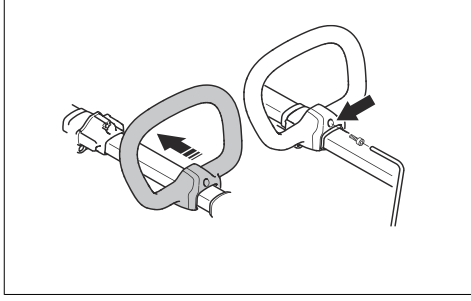
29



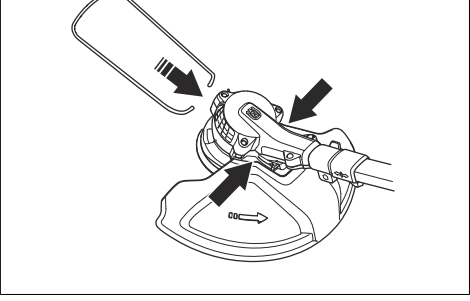
30



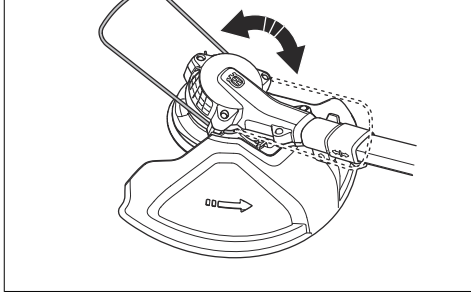
31



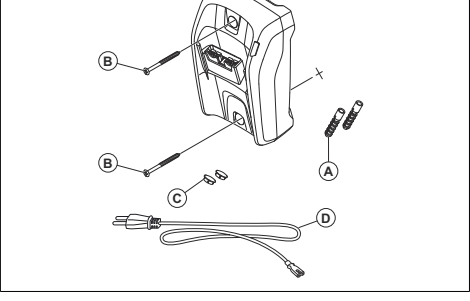
32



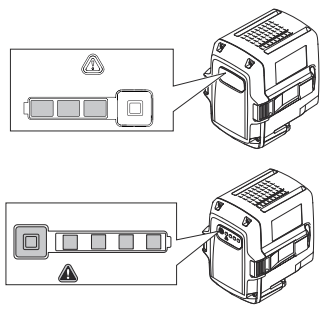
33



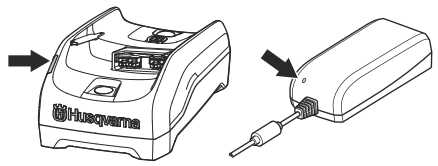
34



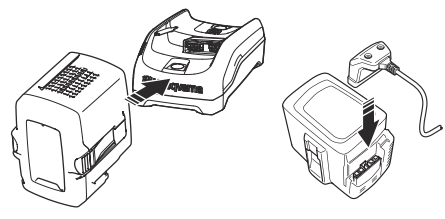
35



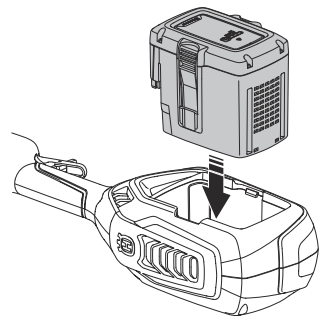
36



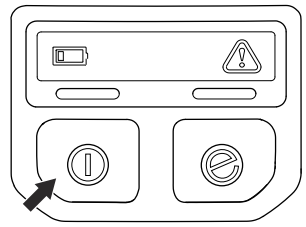
37



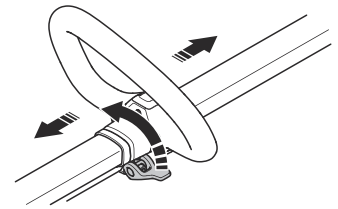
38



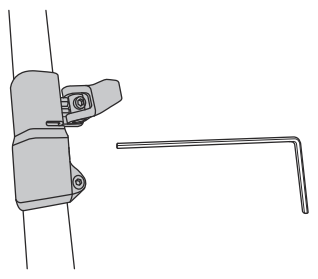
39



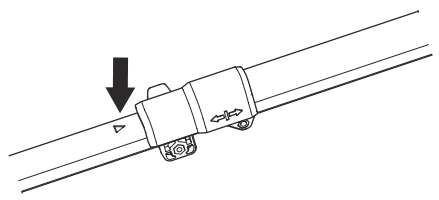
40



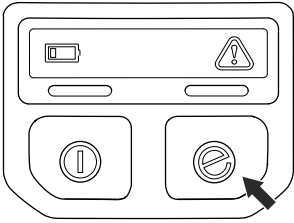
41



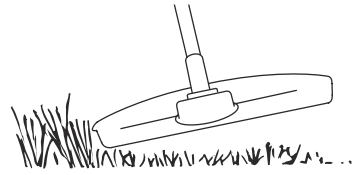
42



43



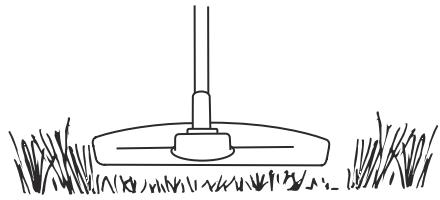
44



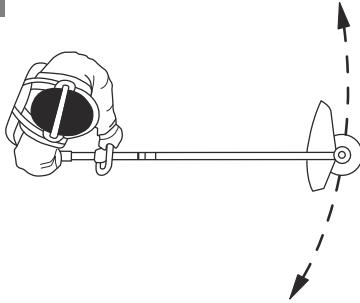
45



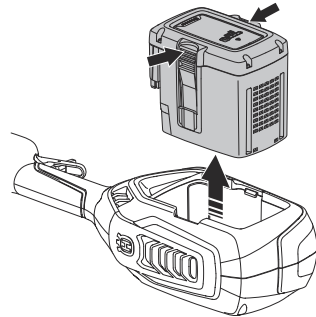
46



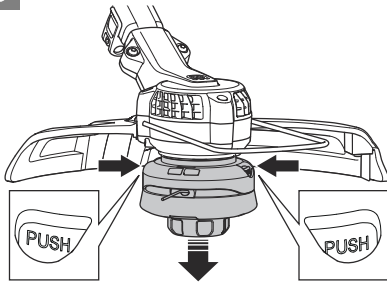
47



48



49



---

## Contents

---

Introduction.....	7	Transportation, storage and disposal.....	19
Safety.....	8	Technical data.....	19
Assembly.....	14	Accessories.....	20
Operation.....	14	Declaration of Conformity.....	21
Maintenance.....	16	Appendix .....	454
Troubleshooting.....	18		

---

## Introduction

---

### Product description

Husqvarna 215iL is a battery lawn trimmer with an electrical motor.

Work is constantly in progress to increase your safety and efficiency during operation. Speak to your servicing dealer for more information.

### Intended use

The product is used with non-metallic trimmer lines, non-metallic strings or equivalent non-metallic flexible cutting

elements. Do not use the product for other tasks than to cut weed, grass or similar soft vegetation.

---

**Note:** National regulations can set limit to the operation of the product.

---

### Product overview

(Fig. 1)

1. Trimmer head
2. Cutting attachment guard
3. Shaft
4. Shaft adjustment (telescope)
5. Loop handle
6. Keypad
7. Keypad warning indicator
8. Start/stop button
9. SavE button
10. Power trigger
11. Power trigger lockout
12. Power on and warning indicator
13. Connector
14. Battery Charger 40-C80
15. Battery Charger QC80
16. Power cord
17. Plant guard
18. Battery warning indicator
19. Battery status
20. Battery indicator button
21. Battery release buttons
22. Battery
23. Combination tool
24. Operator's manual

### Symbols on the product

- (Fig. 2)      **WARNING:** This product can be dangerous and cause serious injury or death to the operator or others. Be careful and use the product correctly.
- (Fig. 3)      Read the operator's manual carefully and make sure that you understand the instructions before use.
- (Fig. 4)      Use eye protection.
- (Fig. 5)      Do not expose to rain.
- (Fig. 6)      Noise emissions to the environment label as per EU (also including New South Wales Legislation) and UK directives and regulations. Noise emission data can be found on the machine label and in the Technical data chapter.
- (Fig. 7)      Keep bystanders away from the product.
- (Fig. 8)      Disconnect battery before maintenance.
- (Fig. 9)      The product or package of the product is not domestic waste. Recycle it at a recycling station for electrical and electronic equipment.

(Fig. 10) The product agrees with the applicable EU directives.

(Fig. 11) The product conforms to the applicable UK regulations.

(Fig. 12) Direct current.

yyyywwxxxx

The rating plate or the laser printing shows the serial number. **yyyy** is the production year and **ww** is the production week.

## Symbols on the battery and/or on the battery charger

(Fig. 16)

Recycle this product at a recycling station for electrical and electronic equipment. (Applies to Europe only)

(Fig. 13) Fail-safe transformer.

(Fig. 14) Use and keep the battery charger indoors only.

(Fig. 15) Double insulation.

## Product damage

We are not responsible for damages to our product if:

- the product is incorrectly repaired.
- the product is repaired with parts that are not from the manufacturer or not approved by the manufacturer.
- the product has an accessory that is not from the manufacturer or not approved by the manufacturer.
- the product is not repaired at an approved service center or by an approved authority.

---

# Safety

---

## Safety definitions

Warnings, cautions and notes are used to point out specially important parts of the manual.



**WARNING:** Used if there is a risk of injury or death for the operator or bystanders if the instructions in the manual are not obeyed.



**CAUTION:** Used if there is a risk of damage to the product, other materials or the adjacent area if the instructions in the manual are not obeyed.

**Note:** Used to give more information that is necessary in a given situation.

## General power tool safety warnings



**WARNING:** Read all safety warnings and all instructions. Failure to follow the warnings and instructions may result in electric shock, fire and/or serious injury.

**Note:** Save all warnings and instructions for future reference. The term "power tool" in the warnings refers to your mains-operated (corded) power tool or battery-operated (cordless) power tool.

## Check before starting

- Always remove the battery to prevent the product being started by accident. Always remove the battery before any maintenance on the product.
- Before using the product and after any impact, check for signs of wear or damage and repair as necessary.
- Inspect the working area. Remove all loose objects, such as stones, broken glass, nails, steel wire, string etc. that could be thrown out or become wrapped around the cutter or cutter guard.
- Check the motor for dirt and cracks. Clean off grass and leaves from the motor using a brush. Gloves should be worn when necessary.
- Check that the trimmer head is completely attached to the trimmer.
- Check that the product is in perfect working order. Check that all nuts and screws are tight.
- Check that the trimmer head and trimmer guard are not damaged or cracked. Replace the trimmer head or trimmer guard if they have been exposed to impact or are cracked. Always use the recommended guard for the cutting attachment you are using. See chapter on Technical data.
- The product operator must ensure that no people or animals come closer than 15 meters while working. When several operators are working in the same area the safety distance should be at least 15 meters.
- Carry out an overall inspection of the product before use. See the maintenance schedule.



- National or local regulations may regulate the use. Comply to given regulations.

### Work area safety

- **Keep work area clean and well lit.** Cluttered or dark areas invite accidents.
- **Do not operate power tools in explosive atmospheres, such as in the presence of flammable liquids, gases or dust.** Power tools create sparks which may ignite the dust or fumes.
- **Keep children and bystanders away while operating a power tool.** Distractions can cause you to lose control.

### Electrical safety

- **Power tool plugs must match the outlet. Never modify the plug in any way. Do not use any adapter plugs with earthed (grounded) power tools.** Unmodified plugs and matching outlets will reduce risk of electric shock.
- **Avoid body contact with earthed or grounded surfaces, such as pipes, radiators, ranges and refrigerators.** There is an increased risk of electric shock if your body is earthed or grounded.
- **Do not expose power tools to rain or wet conditions.** Water entering a power tool will increase the risk of electric shock.
- **Do not abuse the cord. Never use the cord for carrying, pulling or unplugging the power tool. Keep cord away from heat, oil, sharp edges or moving parts.** Damaged or entangled cords increase the risk of electric shock.
- **When operating a power tool outdoors, use an extension cord suitable for outdoor use.** Use of a cord suitable for outdoor use reduces the risk of electric shock.
- **If operating a power tool in a damp location is unavoidable, use a residual current device (RCD) protected supply.** Use of a RCD reduces the risk of electric shock.

### Personal safety

- **Stay alert, watch what you are doing and use common sense when operating a power tool. Do not use a power tool while you are tired or under the influence of drugs, alcohol or medication.** A moment of inattention while operating power tools may result in serious personal injury.
- **Use personal protective equipment. Always wear eye protection.** Protective equipment such as dust mask, non-skid safety shoes, hard hat or hearing protection used for appropriate conditions will reduce personal injuries.
- **Prevent unintentional starting. Ensure the switch is in the OFF-position before connecting to a power source and/or battery pack, picking up or carrying the tool.** Carrying power tools with your finger on the switch or energising power tools that have the switch on invites accidents.

- **Remove any adjusting key or wrench before turning the power tool on.** A wrench or a key left attached to a rotating part of the power tool may result in personal injury.
- **Do not overreach. Keep proper footing and balance at all times.** This enables better control of the power tool in unexpected situations.
- **Dress properly. Do not wear loose clothing or jewellery. Keep your hair and clothing away from moving parts.** Loose clothes, jewellery or long hair can be caught in moving parts.
- **If devices are provided for the connection of dust extraction and collection facilities, ensure these are connected and properly used.** Use of dust collection can reduce dust-related hazards.
- **Do not let familiarity gained from frequent use of tools allow you to become complacent and ignore tool safety principles.** A careless action can cause severe injury within a fraction of a second.
- The vibration emission during actual use of the power tool can differ from the declared total value depending on the ways in which the tool is used. Operators should identify safety measures to protect themselves that are based on an estimation of exposure in the actual conditions of use (taking account of all parts of the operating cycle such as the times when the tool is switched off and when it is running idle in addition to the trigger).

### Power tool use and care

- **Do not force the power tool. Use the correct power tool for your application.** The correct power tool will do the job better and safer at the rate for which it was designed.
- **Do not use the power tool if the switch does not turn it on and off.** Any power tool that cannot be controlled with the switch is dangerous and must be repaired.
- **Disconnect the plug from the power source and/or remove the battery pack, if detachable, from the power tool before making any adjustments, changing accessories, or storing power tools.** Such preventive safety measures reduce the risk of starting the power tool accidentally.
- **Store idle power tools out of the reach of children and do not allow persons unfamiliar with the power tool or these instructions to operate the power tool.** Power tools are dangerous in the hands of untrained users.
- **Maintain power tools and accessories. Check for misalignment or binding of moving parts, breakage of parts and any other condition that may affect the power tool's operation. If damaged, have the power tool repaired before use.** Many accidents are caused by poorly maintained power tools.
- **Keep cutting tools sharp and clean.** Properly maintained cutting tools with sharp cutting edges are less likely to bind and are easier to control.
- **Use the power tool, accessories and tool bits etc. in accordance with these instructions, taking into**

**account the working conditions and the work to be performed.** Use of the power tool for operations different from those intended could result in a hazardous situation.

- **Keep handles and grasping surfaces dry, clean and free from oil and grease.** Slippery handles and grasping surfaces do not allow for safe handling and control of the tool in unexpected situations.

### Battery tool use and care

- **Recharge only with the charger specified by the manufacturer.** A charger that is suitable for one type of battery pack may create a risk of fire when used with another battery pack.
- **Use products only with specifically designated battery packs.** Use of any other battery packs may create a risk of injury and fire.
- **When battery pack is not in use, keep it away from other metal objects, like paper clips, coins, keys, nails, screws or other small metal objects, that can make a connection from one terminal to another.** Shorting the battery terminals together may cause burns or a fire.
- **Under abusive conditions, liquid may be ejected from the battery; avoid contact. If contact accidentally occurs, flush with water. If liquid contacts eyes, additionally seek medical help.** Liquid ejected from the battery may cause irritations or burns.
- **Do not use a battery pack or tool that is damaged or modified.** Damaged or modified batteries may exhibit unpredictable behavior resulting in fire, explosion or risk of injury.
- **Do not expose a battery pack or tool to fire or excessive temperature.** Exposure to fire or temperature above 130 °C may cause explosion.
- **Follow all charging instructions and do not charge the battery pack or tool outside the temperature range specified in the instructions.** Charging improperly or at temperatures outside the specified range may damage the battery and increase the risk of fire.

### Service

- **Have your power tool serviced by a qualified repair person using only identical replacement parts.** This will ensure that the safety of the power tool is maintained.
- **Never service damaged battery packs.** Service of battery packs should only be performed by the manufacturer or authorized service providers.

### Always use common sense

It is not possible to cover every conceivable situation you can face. Always exercise care and use your common sense. Avoid all situations which you consider to be beyond your capability. If you still feel uncertain about operating procedures after reading these instructions, you should consult an expert before continuing.



**WARNING:** Never allow children to use or be in the vicinity of the machine. Since the machine is easy to start, children may be able to start it if they are not kept under full surveillance. This can mean a risk of serious personal injury. Therefore disconnect the battery when the machine is not under close supervision.

### General safety instructions



**WARNING:** Read the warning instructions that follow before you use the product.

- Remove the battery to prevent the product from being started by accident.
- This product is a dangerous tool if you are not careful or if you use the product incorrectly. This product can cause serious injury or death to the operator or others.
- Do not use the product if it is changed from its initial specification. Do not change a part of the product without approval from the manufacturer. Only use parts that are approved by the manufacturer. Injury or death is a possible result of incorrect maintenance.
- Do a check of the product before use. See, *Check before starting on page 8* and *Before you operate the product on page 14*. Do not use a product that is damaged or does not operate correctly. Do the safety checks, maintenance and service instructions described in this manual.
- Children should be supervised to ensure that they do not play with the product. Never allow children or other persons not trained in the use of the product and/or the battery to use or service it. Local laws may regulate the age of the user.
- Keep the product in a locked area to prevent access for children or persons that are not approved.
- Store the product out of reach of children.
- Under no circumstances may the design of the product be modified without the permission of the manufacturer. Always use original accessories. Non-authorized modifications and/or accessories can result in serious personal injury or the death of the operator and others.

**Note:** National or Local laws can regulate the use. Comply to given regulations.

### Safety instructions for operation



**WARNING:** Read the warning instructions that follow before you use the product.

- **Do not use the machine in bad weather conditions, especially when there is a risk of lightning.** This decreases the risk of being struck by lightning.
- **Thoroughly inspect the area for wildlife where the machine is to be used.** Wildlife may be injured by the machine during operation.
- **Thoroughly inspect the area where the machine is to be used and remove all stones, sticks, wires, bones, and other foreign objects.** Thrown objects can cause personal injury.
- **Before using the machine, always visually inspect to see that the cutter and the cutter assembly are not damaged.** Damaged parts increase the risk of injury.
- **Keep guards in place. Guards must be in working order and be properly mounted.** A guard that is loose, damaged, or is not functioning correctly may result in personal injury.
- **Keep all cooling air inlets clear of debris.** Blocked air inlets and debris may result in overheating or risk of fire.
- **Wear eye protection and ear protection.** Adequate protective equipment will reduce personal injury.
- **While operating the machine, always wear non-slip and protective footwear. Do not operate the machine when barefoot or wearing open sandals.** This reduces the chance of injury to the feet from contact with the moving cutter.
- **Always wear clothing such as trousers that covers the operator's legs while operating the machine.** Contact with the moving cutter or line may cause injury.
- **Keep bystanders away while operating the machine.** Thrown debris can result in serious personal injury.
- **Do not operate the machine above waist height.** This helps prevent unintended cutter contact and enables better control of the machine in unexpected situations.
- **Exercise caution when operating the machine in wet grass. Walk, never run.** This reduces the risk of slipping and falling which may result in personal injury.
- **Do not operate the machine on excessively steep slopes.** This reduces the risk of loss of control, slipping and falling which may result in personal injury.
- **When working on slopes, always be sure of your footing, always work across the face of slopes, never up or down and exercise extreme caution when changing direction.** This reduces the risk of loss of control, slipping and falling which may result in personal injury.
- **Keep all power cords and cables away from cutting area.** Power cords or cables may be hidden in hedges or bushes and can be accidentally cut or damaged by the line or cutter.
- **Keep all parts of the body away from the moving trimmer cutter or line. Do not clear material from the machine until it has been disconnected from the**

**power source.** The moving trimmer cutter or line may result in serious personal injury.

- **Carry the machine with the machine switched off and away from your body.** Proper handling of the machine will reduce the likelihood of accidental contact with a moving trimmer cutter or line.
- **Only use replacement cutting heads and trimmer cutters or lines specified by the manufacturer. Do not replace the trimmer cutters or lines with metal wires or blades.** Incorrect replacement parts may cause loss of control, breakage and injury.

## Personal protective equipment



**WARNING:** Read the warning instructions that follow before you use the product.

- Always use approved personal protective equipment when you use the product. Personal protective equipment cannot fully prevent injury but it decreases the degree of injury if an accident does occur. Let your dealer help you select the correct equipment.
- Use approved hearing protection.

(Fig. 17)

- Use approved eye protection. If you use a visor, you must also use approved protective goggles. Approved protective goggles must comply with the ANSI Z87.1 standard in the USA or EN 166 in EU countries.

(Fig. 18)

- Use gloves when it is necessary, for example when you attach, examine or clean the cutting equipment.

(Fig. 19)

- Use protective boots with steel toe-cap and non-slip soles.

(Fig. 20)

- Use clothing made of a strong fabric. Always use heavy, long pants and long sleeves. Do not use loose clothing that can catch on twigs and branches. Do not use jewelry, short pants or sandals. Do not go with bare feet. Put your hair up safely above shoulder level.
- Keep first aid equipment near.

(Fig. 21)

## Safety devices on the product



**WARNING:** Read the warning instructions that follow before you use the product.

In this section the product's safety features, its purpose and how checks and maintenance should be carried out to ensure that it operates correctly. See instructions

under the heading *Introduction on page 7* to find where these parts are located on your product.

The life span of the product can be reduced and the risk of accidents can increase if product maintenance is not carried out correctly and if service and/or repairs are not carried out professionally. If you need further information please contact your nearest servicing dealer.



**WARNING:** Never use a product with damaged safety components. The product's safety equipment must be inspected and maintained as described in this section. If your product fails any of these checks, contact your service agent to get it repaired.



**CAUTION:** All servicing and repair work on the machine requires special training. This is especially true of the machine's safety equipment. If your machine fails any of the checks described below you must contact your service agent. When you buy any of our products we guarantee the availability of professional repairs and service. If the retailer who sells your machine is not a servicing dealer, ask him for the address of your nearest service agent.

#### To do a check of the keypad

1. Press and hold the start/stop button (A). (Fig. 22)
  - a) The product is on when the LED (B) is on.
  - b) The product is off when the LED (B) is off.
2. Refer to *Keypad on page 18* if the warning indicator (C) comes on or flashes.

#### To do a check of the power trigger lockout

The power trigger lockout prevents accidental start. When you push the power trigger lockout (A), it releases the power trigger (B). When you release the handle, the power trigger and the power trigger lockout move back to their initial positions. (Fig. 23)

1. Make sure that the power trigger is locked when the power trigger lockout is in its initial position. (Fig. 24)
2. Push the power trigger and make sure that it moves back to its initial position when you release it. (Fig. 25)
3. Make sure that the power trigger and the power trigger lockout moves freely and that the return spring works correctly. (Fig. 26)
4. Start the product. Refer to *To start the product on page 15*.
5. Apply full power.
6. Release the power trigger and make sure that the cutting attachment stops fully.

#### To do a check of the cutting attachment guard



**WARNING:** Do not use a cutting attachment without an approved and correctly attached cutting attachment guard. Always use the recommended cutting attachment guard for the cutting attachment that you use, see *Technical data on page 19*. If an incorrect or faulty cutting attachment guard is attached, it can cause serious personal injury.

The cutting attachment guard stops objects that eject in the direction of the operator. The cutting attachment guard also prevents injuries that can occur if you touch the cutting attachment.

1. Stop the motor.
2. Do a visual check for damages, for example cracks.
3. Replace the cutting attachment guard if it is damaged.

#### Cutting equipment

Select correct cutting equipment and do maintenance on the cutting equipment to:

- Get maximum cutting performance.
- Increase lifetime of the cutting equipment.



**WARNING:** Only use cutting attachments with the guards we recommend! See *Technical data on page 19*. Refer to the instructions for the cutting attachment to find the correct way to load the trimmer line and the correct trimmer line diameter.



**WARNING:** A damaged cutting attachment may increase the risk of accidents.



**WARNING:** Always stop the engine before you do the work on the cutting attachment. This continues to rotate after you release the throttle. Make sure that the cutting attachment has stopped fully and disconnect the spark plug cap before you start the work on it.

#### Trimmer head



**WARNING:** Always make sure the trimmer line is wound tightly and evenly around the drum to prevent harmful vibration.

(Fig. 27)

- Only use recommended trimmer heads and trimmer lines.
- Only use recommended cutting attachments.
- Smaller machines requires small trimmer heads and vice versa.
- The length of the trimmer line is important. A longer trimmer line requires greater engine power than a shorter trimmer line of the same diameter.
- Make sure that the cutter on the trimmer guard is intact. This cuts the trimmer line to the correct length.
- Soak the trimmer line in water for a couple of days before use to increase the life length.

## Battery safety



**WARNING:** Read the warning instructions that follow before you use the product.

- Only use the BLi series and 40-B series battery. For details, refer to *Technical data on page 19*. The battery is software encrypted.
- Use the BLi series and 40-B series battery that is rechargeable as a power supply for the related Husqvarna products only. To prevent injury, do not use the battery as a power supply for other devices.
- Risk of electrical shock. Do not connect the battery terminals to keys, coins, screws or other metal. This can cause a short circuit of the battery.
- Do not use non-rechargeable batteries.
- Do not put objects into the air slots of the battery.
- Keep the battery away from sunlight, heat or open flame. The battery can cause burns and/or chemical burns.
- Keep the battery away from rain and wet conditions.
- Keep the battery away from microwaves and high pressure.
- Do not try to disassemble or break the battery.
- If the battery leaks, do not let the liquid touch your body or eyes. If you have touched the liquid, clean the area with a large quantity of water and soap, and get medical aid. If you get liquid in your eyes, do not rub but flush with water for a minimum of 15 minutes and get medical aid.
- Use the battery in temperatures between -10 °C (14 °F) and 40 °C (114 °F).
- Do not clean the battery or the battery charger with water. Refer to *To clean the product, the battery and the battery charger on page 17*.
- Do not use a defective or damaged battery.
- Keep batteries in storage away from metal objects such as nails, screws or jewelry.
- Keep the battery away from children.

## Battery charger safety



**WARNING:** Read the warning instructions that follow before you use the product.

- Risk of electrical shock or short circuit if the safety instructions are not obeyed.
- Do not use other battery chargers than the one supplied for your product. Only use QC80 and 40-C80 chargers when you charge BLi series and 40-B series replacement batteries.
- Do not try to disassemble the battery charger.
- Do not use a defective or damaged battery charger.
- Do not lift the battery charger by the power cord. To disconnect the battery charger from a mains socket, pull out the plug. Do not pull the power cord.
- Keep all cables and extension leads away from water, oil and sharp edges. Make sure that the cable is not caught between objects, for example, doors, fences or equivalent.
- Do not use the battery charger near flammable materials or materials that can cause corrosion. Make sure that the battery charger is not covered. Pull out the plug to the battery charger if there is smoke or fire.
- Only charge the battery indoors in a location with good airflow and away from sunlight. Do not charge the battery outdoors. Do not charge the battery in wet conditions.
- Only use the battery charger where the temperature is between 5 °C (41 °F) and 40 °C (104 °F). Use the charger in an environment which has a good airflow, dry and free from dust.
- Do not put objects into the cooling slots of the battery charger.
- Do not connect the battery charger terminals to metal objects as this can short circuit the battery charger.
- Use approved mains sockets that are not damaged. Make sure that the cord of the battery charger is not damaged. If extension cables are used, make sure that the extension cables are not damaged.
- Do not charge non-rechargeable batteries in the battery chargers.

## Safety instructions for maintenance



**WARNING:** Read the warning instructions that follow before you do maintenance on the product.

- Remove the battery before you do maintenance, other checks or assemble the product.
- The operator must only do the maintenance and servicing shown in this operator's manual. Turn to your servicing dealer for maintenance and servicing of a larger extension.

- Do not clean the battery or the battery charger with water. Strong detergent can cause damage to the plastic.
- If you do not do maintenance, it decreases the life cycle of the product and increases the risk of accidents.
- Special training is necessary for all servicing and repair work, especially for the safety devices on the

product. If not all checks in this operator's manual are approved after you have done maintenance, turn to your servicing dealer. We guarantee that there are professional repairs and servicing available for your product.

- Only use original spare parts.

---

## Assembly

---

### Introduction



**WARNING:** Read and understand the safety chapter before you assemble the product.

### To attach the trimmer guard

1. Put the trimmer guard against the motor housing. (Fig. 28).
2. Install the bolt through the motor housing and the trimmer guard. (Fig. 29)
3. Tighten the bolt.

### To assemble the trimmer head

1. Turn the output shaft until the hole in the drive disc aligns with the hole in the gear housing.
2. Install the locking pin in the hole to lock the shaft.
3. Turn the trimmer head counterclockwise. (Fig. 30)

### To assemble the loop handle

1. Install the screw into the loop handle. (Fig. 31)
2. Assemble the loop handle to the attachment on the shaft.

3. Tighten the screws.
4. Adjust the loop handle to a correct position. Refer to *To adjust the loop handle and telescopic shaft on page 15.*

### To install the plant guard

1. Install the plant guard into the holes on the motor housing. (Fig. 32)
2. Make sure that the plant guard can move forward and rearward freely. (Fig. 33)

### To install the battery charger 40-C80 on the wall



**CAUTION:** Do not use an electric screwdriver to install the battery charger to the wall. An electric screwdriver can cause damage to the battery charger.

1. Install the battery charger on the wall with the 2 screws (B). Use wall plugs (A) if it is necessary. (Fig. 34)
2. Install the 2 screw hole plugs (C).
3. Connect the power cord to the battery charger and a mains socket.

---

## Operation

---

### Introduction



**WARNING:** Read and understand the safety chapter before you use the product.

### Before you operate the product

- Examine the work area to make sure that you know the type of terrain. Examine the slope of the ground and if there are obstacles such as stones, branches and ditches.
- Do a general inspection of the product.
- Do the safety inspections, maintenance and servicing that are given in this manual.

- Examine the motor for dirt or cracks. Use a brush to clean the motor from grass and leaves. Use gloves when it is necessary.
- Examine the trimmer head and cutting attachment guard for damages or cracks. Replace the trimmer head and cutting attachment guard if they are hit or if they have cracks.
- Make sure that all nuts and screws are tight.
- Make sure that all covers, guards, handles and the cutting equipment are correctly attached and not damaged before you start the product.

### Battery



**WARNING:** Read and understand the safety chapter before you use the battery.

Read and understand the operator's manual for the battery and the battery charger.

Keep the battery and the battery charger in the correct ambient temperatures.

	Ambient temperature
Operation of the battery	5 °C-40 °C / 41 °F-104 °F

	Ambient temperature
Charging of the battery	5 °C-40 °C / 41 °F-104 °F

### Battery status

The display shows the state of charge and if there are problems with the battery.

(Fig. 35)

LED indicator	Battery status (state of charge)	
	BLi10, BLi20	40-B70, 40-B140
4 LED lights are on	N/A	The battery is 76% - 100% charged.
3 LED lights are on	The battery is 76% - 100% charged.	The battery is 51% - 75% charged.
2 LED lights are on	The battery is 51% - 75% charged.	The battery is 26% - 50% charged.
1 LED light is on	The battery is 26% - 50% charged.	The battery is 6% - 25% charged.
1 LED light flashes	The battery is 0% - 25% charged.	The battery is 0% - 5% charged.

### To charge the battery

Charge the battery if it is the first time that you use it. A new battery is only 30% charged.



**CAUTION:** Connect the battery charger to a power outlet with the voltage and frequency that is specified on the rating plate.

2. Push the battery into the battery holder of the product. The battery locks into position when you hear a click. (Fig. 38)



**CAUTION:** If the battery does not move easily into the battery holder, the battery is not installed correctly. This can cause damage to the product.

The battery does not charge if the battery temperature is more than 50 °C/122 °F.

1. Connect the power cord to the battery charger.
2. Connect the battery charger to a grounded power outlet. The charging LED flashes one time. (Fig. 36)
3. Connect the battery to the battery charger. The charging LED comes on. Charge the battery for maximum 24 hours. (Fig. 37)
4. Push the battery indicator button, if all the LED indicators come on, the battery is fully charged.
5. Pull the power plug to disconnect the battery charger from the power outlet. Do not pull the power cord.
6. Remove the battery from the battery charger.

### To connect the battery to the product



**WARNING:** Only use the initial Husqvarna battery for the product.

1. Fully charge the battery.

### To start the product

1. Push and hold the start/stop button until the green LED comes on. (Fig. 39)
2. Push the power trigger lockout and the power trigger. The cutting equipment starts to rotate.

### To adjust the loop handle and telescopic shaft

1. Loosen the locking handle and adjust the loop handle to a correct position. (Fig. 40)
2. Close the locking handle.
3. Loosen the lever on the shaft. (Fig. 41)
4. Set the necessary length on the shaft. Make sure that you can see the triangle on the shaft. (Fig. 42)
5. Close the lever and tighten the screw.

**Note:** Do not attach the loop handle onto the Warning decals on the shaft.

### To use the SavE function

This product has a power saving function, SavE.

---

**Note:** The SavE function does not decrease the cutting power of the product.

---

1. Push the SavE button on the keypad.
2. Make sure that the green LED comes on.
3. Push the SavE button again to disconnect the function. The green LED goes off. (Fig. 43)

### Automatic shutdown function

The product has a shutdown function that stops the product if the product is not used. The green LED for start/stop indication goes off and the product stops after 180 seconds.

### To operate the product

#### To trim the grass

1. Hold the trimmer head immediately above the ground at an angle. Do not push the trimmer line into the grass. (Fig. 44)
2. Decrease the length of the trimmer line by 10-12 cm / 4-4.75 in.
3. Decrease the engine speed to decrease the risk of damage to plants.
4. Use 80 % throttle when you cut grass near objects. (Fig. 45)

#### To clear grass

1. Keep the trimmer head above the ground.
2. Tilt the trimmer head.
3. Cut with the end of the trimmer line around objects in the work area.



**CAUTION:** Cut grass. Other objects that are hit by the trimmer line, increases the wear on the trimmer line.

### To cut the grass

1. Make sure that the trimmer line is parallel to the ground when you cut the grass. (Fig. 46)
2. Do not push the trimmer head to the ground. This can cause damage to the product.
3. Move the product from side to side when you cut grass. Use full speed. (Fig. 47)

### To sweep the grass

The airflow from the rotating trimmer line can be used to remove cut grass from an area.

1. Hold the trimmer head and the trimmer line parallel to the ground and above the ground.
2. Apply full throttle.
3. Move the trimmer head from side to side and sweep the grass.



**WARNING:** Clean the trimmer head cover each time you assemble new trimmer line to prevent unbalance and vibrations in the handles. Also do a check of the other parts of the trimmer head and clean it if necessary.

### To stop the product

1. Release the power trigger and the power trigger lockout.
2. Push the start/stop button until the green LED goes off.
3. Push the release buttons on the battery and remove the battery from the product. (Fig. 48)

### To replace trimmer line

Refer to the last page of this operator's manual.

---

## Maintenance

---

### Introduction



**WARNING:** Read and understand the safety chapter before you do maintenance on the product.

### Maintenance schedule



**WARNING:** Remove the battery before you do maintenance.

The following is a list of the maintenance steps that you must do on the product. See *Maintenance on page 16* for more information.

Maintenance	Daily	Weekly	Monthly
Clean the external parts of the product with a dry cloth. Do not use water.	X		



Maintenance	Daily	Weekly	Monthly
Examine that the start and stop button works correctly and is not damaged.	X		
Make sure that the power trigger and the power trigger lockout function correctly from a safety point of view.	X		
Make sure that all controls work and are not damaged.	X		
Keep the handles dry, clean and free from oil and grease.	X		
Make sure that the cutting attachment is not damaged. Replace the cutting attachment if it is damaged.	X		
Make sure that the cutting attachment guard is not damaged. Replace the cutting attachment guard if it is damaged.	X		
Make sure that the screws and nuts are tight.	X		
Make sure that the battery release buttons on the battery works and locks the battery in the product.	X		
Examine that the battery charger is not damaged and function correctly.	X		
Make sure that the battery is not damaged.	X		
Make sure that the battery is charged.	X		
Make sure that the battery charger is not damaged.	X		
Examine all cables, couplings and connections. Make sure they are not damaged and free from dirt.		X	
Do a check of the connections between the battery and the product. Do a check of the connection between the battery and the battery charger.			X

### To examine the battery and the battery charger

1. Examine the battery for damages, for example cracks.
2. Examine the battery charger for damages, for example cracks.
3. Make sure that the connection cord of the battery charger is not damaged and that there are no cracks in it.

### To clean the product, the battery and the battery charger

1. Clean the product with a dry cloth after use.
2. Clean the battery and battery charger with a dry cloth. Keep the battery guide tracks clean.

3. Make sure that the terminals on the battery and the battery charger are clean before the battery is put in the battery charger or the product.

### To examine and replace the trimmer head

1. Do a check of the trimmer head for damages and cracks.
2. Pull out the chute assembly for the trimmer line.
3. Remove the trimmer head. (Fig. 49)
4. Replace the trimmer head.
5. Assemble the trimmer head. Refer to *To assemble the trimmer head on page 14.*

## Troubleshooting

### Keypad

LED screen	Possible faults	Possible solutions
The error LED flashes.	Overload	The cutting attachment cannot move freely. Release the cutting attachment.
	Temperature deviation	Let the product cool down.
The product does not start.	Push the power trigger and press the start button at the same time.	Release the power trigger and stop the product.
The error LED comes on with red light.	It is necessary to do servicing on the product	Speak to your service dealer.

### Battery

LED display	Possible faults	Possible action
The green LED flashes.	Low battery voltage.	Charge the battery.
The error LED flashes.	Temperature deviation.	Use the battery in temperatures between -10°C (14°F) and 40°C (104°F).
	Too much voltage.	Make sure that the mains voltage aligns with the voltage stated on the rating plate of the product.
		Remove the battery from the battery charger.
The error LED is on.	Cell difference is too much (1V).	Speak to your servicing dealer.

### Battery charger

Problem	Possible faults	Possible solution
The charging LED is red.	Permanent battery charger error.	Speak to your dealer.
The charging LED flashes green.	Temperature deviation, the battery is too cold or too hot to use or charge.	Let the battery cool down or warm it up. When the battery has the correct temperature, it can be used or charged again. Use the battery charger in ambient temperatures between 5 °C (41 °F) and 40 °C (104 °F).
The charging LED flashes red.	Faulty battery.	Speak to your dealer.

---

## Transportation, storage and disposal

---

### Transportation and storage

- The supplied Li-ion batteries obey the Dangerous Goods Legislation requirements.
- Obey the special requirement on package and labels for commercial transportation, including by third parties and forwarding agents.
- Speak to a person with special training in dangerous material before you send the product. Obey all applicable national regulations.
- Use tape on open contacts when you put the battery in a package. Put the battery in the package tightly to prevent movement.
- Remove the battery for storage or transportation.
- Put the battery and the battery charger in a space that is dry and free from moisture and frost.
- Do not keep the battery in an area where static electricity can occur. Do not keep the battery in a metal box.
- Put the battery in storage where the temperature is between 5°C/41°F and 25°C/77°F and away from open sunlight.
- Put the battery charger in storage where the temperature is between 5 °C/41 °F and 45°C/113°F and away from open sunlight.
- Use the battery charger only when the surrounding temperature is between 5°C/41°F and 40°C/104°F.

- Charge the battery 30% to 50% before you put it in storage for long periods.
- Put the battery charger in storage in a space that is closed and dry.
- Keep the battery away from the battery charger during storage. Do not let children and other not approved persons to touch the equipment. Keep the equipment in a space that you can lock.
- Clean the product and do a full servicing before you put the product in storage for a long time.
- Use the transportation guard on the product to prevent injuries or damage on the product during transportation and storage.
- Attach the product safely during transportation.

### Disposal of the battery, battery charger and product

Symbols on the product or the package of the product means that the product is not domestic waste. Recycle it at a recycling station for electrical and electronic equipment. This helps to prevent damage to the environment and to persons.

Get in touch with your local authorities, domestic waste service or your dealer for more information about how to recycle your product.

---

## Technical data

---

### Technical data

	<b>215iL</b>
<b>Motor</b>	
Motor type	BLDC
Speed of output shaft, rpm	6800
Cutting width, mm	310
<b>Weight</b>	
Weight without battery, kg	2.9
<b>Noise emissions <sup>1</sup></b>	
Sound power level, measured dB (A)	90.5
Sound power level, guaranteed L <sub>WA</sub> dB (A)	92

<sup>1</sup> Noise emissions in the environment measured as sound power (L<sub>WA</sub>) in conformity with EC directive 2000/14/EC. The difference between guaranteed and measured sound power is that guaranteed sound power also includes dispersion in the measurement result and the variations between different products of the same model refer to Directive 2000/14/EC.

	<b>215iL</b>
<b>Noise levels <sup>2</sup></b>	
Equivalent sound pressure level at the operator's ear, measured according to EN ISO 50636-2-91, dB (A)	74.9
<b>Vibration levels <sup>3</sup></b>	
Vibration levels at handles, measured according to EN50636-2-91, m/s <sup>2</sup>	4.5 / 2.7
Equipped with trimmer head (original), front / rear.	

### Approved batteries for the product

Battery	BLi10		BLi20		40-B70	40-B140
Type	Lithium-ion		Lithium-ion		Lithium-ion	Lithium-ion
Battery capacity, Ah	Refer to battery rating decal		Refer to battery rating decal		Refer to battery rating decal	Refer to battery rating decal
Nominal voltage, V	36	36.5	36	36.5	36	36
Weight, lb/kg	0.7	0.7	1.2	1.2	0.8	1.25

### Approved battery chargers for the product

Battery charger	QC80	40-C80
Mains voltage, V	100-240	100-240
Frequency, Hz	50-60	50-60
Power, W	100	72
Output Voltage, V d.c./ Amps, A	36/2	43/1.6

---

## Accessories

---

### Approved accessories

Approved accessories	Type	Cutting attachment guard, Art. no.
Trimmer head	R25B (Ø 2 mm cord)	529 96 69-01

<sup>2</sup> Reported data for equivalent sound pressure level for the product has a typical statistical dispersion (standard deviation) of 2.5 dB (A).

<sup>3</sup> Reported data for vibration level has a typical statistical dispersion (standard deviation) of 1.5 m/s<sup>2</sup>.

---

## Declaration of Conformity

---

### EU Declaration of conformity

We, **Husqvarna AB**, SE-561 82 Huskvarna, Sweden, tel: +46-36-146500, declare on our sole responsibility that the product:

<b>Description</b>	Battery lawn trimmer
<b>Brand</b>	Husqvarna
<b>Type / Model</b>	215iL
<b>Identification</b>	Serial numbers dating from 2024 and onwards

complies fully with the following EU directives and regulations:

<b>Directive/ Regulation</b>	<b>Description</b>
2006/42/EC	"relating to machinery"
2014/30/EU	"relating to electromagnetic compability"
2000/14/EC	"relating to the noise emissions in the environment"
2011/65/EU	"on the restriction of the use of certain hazardous substances in electrical and electronic equipment "

and that the following standards and/or technical specifications are applied: EN 60335-1:2012/A15:2021, EN 50636-2-91:2014, EN IEC 63000:2018, EN IEC 55014-1:2021; EN IEC 55014-2:2021.

Notified body: 0197 TÜV Rheinland LGA Products GmbH, Tillystraße 2, 90431 Nürnberg, Germany has certified conformity with the council's directive 2000/14/EC, conformity assessment procedure: Annex VI.

For information relating to noise emission, refer to *Technical data on page 19*.

Huskvarna, 2024-02-01



Claes Losdal, R&D Manager, Husqvarna AB  
Responsible for technical documentation



## UK Declaration of conformity

We, **Husqvarna AB**, SE-561 82 Huskvarna, Sweden, tel: +46-36-146500, declare on our sole responsibility that the product:

<b>Description</b>	Battery lawn trimmer
<b>Brand</b>	Husqvarna
<b>Type / Model</b>	215iL
<b>Identification</b>	Serial numbers dating from 2024 and onwards

complies fully with the following UK regulations:

<b>Description</b>
The Supply of Machinery (Safety) Regulations 2008
Electromagnetic Compatibility Regulations 2016
The Noise Emission in the Environment by Equipment for use Outdoors Regulations 2001
The Restriction of the Use of Certain Hazardous Substances in Electrical and Electronic Equipment Regulations 2012

and that the following standards and/or technical specifications are applied: EN 60335-1:2012/A15:2021, EN 50636-2-91:2014, EN IEC 63000:2018, EN IEC 55014-1:2021; EN IEC 55014-2:2021.

Approved body: 8500, AnP Certification Ltd. 2 Parkfield Street, Rusholme, Manchester M14 4PN, UK has carried out certified conformity according to S.I.2001/1701, Schedule 9

For information relating to noise emissions, refer to *Technical data on page 19*.

Huskvarna, 2024-02-01



Claes Losdal, R&D Manager, Husqvarna AB  
Responsible for technical documentation

**UK  
CA**

UK Importer:  
Husqvarna UK Ltd  
Preston Road, Co. Durham  
DL5 6UP

---

## Съдържание

---

Въведение.....	23	Транспортиране, съхранение и изхвърляне.....	37
Безопасност.....	24	Технически данни.....	38
Монтаж.....	31	Принадлежности.....	39
Операция.....	32	Декларация за съответствие.....	40
Поддръжка.....	34	Приложение .....	454
Отстраняване на проблеми.....	36		

---

## Въведение

---

### Описание на продукта

Husqvarna 215iL е акумулаторен тример за морава с електродвигател.

Ние работим постоянно, за да подобряваме Вашата безопасност и ефективност по време на работа. Свържете се с дистрибутор по обслужването за повече информация.

### Предназначение

Продуктът се използва с неметални тримерни корди, неметални струни или еквивалентни неметални

гъвкави елементи за рязане. Не използвайте продукта за други задачи освен за косене на плевели, трева или подобна мека растителност.

**Забележка:** Националните регламенти могат да поставят ограничения за работата с продукта.

---

### Общ преглед на продукта

(Фиг. 1)

1. Тримерна глава
2. Предпазител на режещо оборудване
3. Двусекционен вал
4. Регулиране на двусекционния вал (телескопичен)
5. Примкова ръкохватка
6. Клавишно поле
7. Предупредителен индикатор на клавишното поле
8. Бутон за стартиране/спиране
9. Бутон SavE
10. Захранващ спусък
11. Блокировка на захранващия спусък
12. Индикатор за включено състояние и предупредителен индикатор
13. Конектор
14. Зарядно устройство за акумулаторни батерии 40-C80
15. Зарядно устройство за акумулаторни батерии QC80
16. Захранващ шнур
17. Предпазител за растения
18. Предупредителен индикатор на акумулаторната батерия
19. Състояние на акумулаторната батерия
20. Бутон за индикатора на акумулаторната батерия
21. Бутона за освобождаване на акумулаторната батерия
22. Акумулаторна батерия
23. Комбиниран инструмент
24. Ръководство за оператора

(Фиг. 3)

Прочетете внимателно ръководството за оператора и се уверете, че разбирате инструкциите, преди да използвате машината.

(Фиг. 4)

Използвайте защитни средства за очите.

(Фиг. 5)

Не излагайте на дъжд.

(Фиг. 6)

Етикет за шумовите емисии към околната среда съгласно директивите и регламентите на ЕС (включително и законодателството на Нов Южен Уелс) и тези на Обединеното кралство. Данните за шумови емисии могат да бъдат намерени на етикета на машината и в главата "Технически характеристики".

(Фиг. 7)

Не допускайте странични лица близо до продукта.

(Фиг. 8)

Разкачете акумулаторната батерия преди техническо обслужване.

(Фиг. 9)

Продуктът или опаковката на продукта не е битов отпадък. Рециклирайте го в пункт за рециклиране за електрическо и електронно оборудване.

(Фиг. 10)

Продуктът е в съответствие с приложимите директиви на EU.

(Фиг. 2)

**ПРЕДУПРЕЖДЕНИЕ:** Този продукт може да бъде опасен и да причини сериозно нараняване или смърт на оператора или други хора. Внимавайте и използвайте продукта правилно.

(Фиг. 11)

Продуктът съответства на приложимите регламенти на Обединеното кралство.

(Фиг. 12)

Прав ток.

гггссххххх

На табелката с данни или с лазерен печат е изписан серийният номер. **ууу** е годината на производство, а **ww** – седмицата на производство.

(Фиг. 14) Използвайте и дръжте зарядното устройство на акумулатора единствено на закрито.

(Фиг. 15) Двойна изолация.

## Символи върху акумулатора и/или зарядното устройство

(Фиг. 16)

Рециклирайте този продукт в пункт за рециклиране за електрическо и електронно оборудване. (Валидно само за Европа)

(Фиг. 13)

Устойчив на неизправности трансформатор.

## Повреда на продукта

Ние не носим отговорност за повреди по нашия продукт, ако:

- продуктът е неправилно ремонтиран.
- продуктът е ремонтиран с части, които не са от производителя или не са одобрени от производителя.
- продуктът има принадлежност, която не е от производителя или не е одобрена от производителя.
- продуктът не е ремонтиран в одобрен сервизен център или от одобрен орган.

# Безопасност

## Дефиниции за безопасност

Предупреждения, знаци за внимание и бележки се използват за указване на особено важни части на инструкцията.



**ПРЕДУПРЕЖДЕНИЕ:** Използва се, ако има опасност от нараняване или смърт за оператора или за околните, ако не се спазват инструкциите в ръководството.



**ВНИМАНИЕ:** Използва се, ако има опасност от повреждане на машината, други материали или съседната зона, ако не се спазват инструкциите в ръководството.

**Забележка:** Използва се за предоставяне на повече информация, която е необходима в дадена ситуация.

## Общи предупреждения за безопасност за силови инструменти



**ПРЕДУПРЕЖДЕНИЕ:** Прочетете внимателно всички предупреждения за безопасността и инструкции. Неспазването на инструкциите и на предупрежденията за безопасност може да доведе до електрически удар, пожар и/или сериозни наранявания.

**Забележка:** Запазете всички предупреждения и инструкции за бъдещи справки. Терминът "електрически инструмент" в предупрежденията се отнася за електрически управлявания (кабелен) електрически инструмент или такъв на батерии (безжичен).

## Проверка преди стартиране

- Винаги отстранявайте акумулаторната батерия, за да предотвратите случайното стартиране на продукта. Винаги отстранявайте акумулаторната батерия, преди да извършвате каквото и да било техническо обслужване на продукта.
- Преди да използвате продукта и след всеки удар, проверете за признаци на износване или повреда и ремонтирайте според необходимостта.
- Проверете работната площ. Отстранете всякакви търкалящи се предмети, като например камъни, счупени стъкла, гвоздеи, стоманени въжета, жици и други, които могат да бъдат подхвърлени или да се омотаят около резеца или предпазителя на резеца.
- Проверете двигателя за мръсотия и пукнатини. Почистете тревата и листата от двигателя, като използвате четка. Трябва да носите ръкавици, когато е необходимо.
- Проверете дали тримерната глава е напълно закрепена към тримера.
- Проверете дали продуктът е в отлично работно състояние. Проверете дали всички гайки и винтове са затегнати.
- Проверете дали тримерната глава и предпазителят на тримера не са повредени или напукани. Сменете тримерната глава или



предпазителя на тримера, ако е бил подложен на удари или по него са се появили пукнатини. Винаги използвайте препоръчания предпазител за конкретната режеща приставка. Вижте глава Технически характеристики.

- Операторът на продукта трябва да се увери, че по време на работа в радиус от 15 метра няма хора или животни. Когато няколко оператора работят на една и съща площ, трябва да се спазва безопасно разстояние от поне 15 метра.
- Извършете цялостна проверка на продукта преди употреба. Вижте разписанието за техническо обслужване.
- Възможно е използването на продукта да се регулира от националните или местните регламенти. Спазвайте предоставените регламенти.

### Безопасност на работната област

- **Поддържайте работната област чиста и добре осветена.** Мръсните и тъмните области са по-предразполагащи към инциденти.
- **Не работете с електрически инструменти в експлозивна среда, като например в присъствието на запалителни течности, газове или прах.** Електрическите инструменти създават искри, които може да възпламенят праха или дима.
- **Дръжте децата и наблюдателите далеч, докато работите с електрически инструмент.** Разсейването може да доведе до загуба на контрол.

### Електрическа безопасност

- **Щепселите на електрическите инструменти трябва да съответстват на контакта. Никога не променяйте щепселите по какъвто и да било начин. Не използвайте никакви адаптерни щепсели със заземени електрически инструменти.** Немодифицираните щепсели и съответстващи им изходи ще намалят рисковете от токов удар.
- **Избягвайте контакт на тялото със заземени повърхности, като тръби, радиатори и хладилници.** Има повишен риск от електрически удар, ако Вашето тяло е заземено или замасено.
- **Не излагайте електрическите инструменти на дъжд или влажни условия.** Водата, която влиза в електрически инструмент, ще увеличи риска от електрически удар.
- **Не насилвайте шнура. Никога не използвайте шнура за носене, дърпане или изключване на електрическия инструмент. Пазете шнура далеч от топлинни източници, масло, остри ръбове или движещи се части.** Повредените и оплетени шнурове увеличават риска от електрически удар.
- **Когато работите с електрически инструмент навън, използвайте удължителен шнур, който е подходящ за външна употреба.** Шнурът,

подходящ за използване на открито, намалява рисковете от токов удар.

- **Ако работата с електрически инструмент на влажно място е неизбежна, използвайте захранване с устройство със защита от остатъчен ток (RCD).** Използването на RCD намалява риска от електрически удар.

### Лична безопасност

- **Бъдете нащрек, внимавайте какво правите и бъдете разсъдливи, когато работите с електрически инструмент. Не използвайте електрически инструмент, когато сте изморени или когато сте под влиянието на наркотици, алкохол или лекарства.** Един миг на невнимание по време на работа с електрически инструменти може да доведе до сериозна телесна повреда.
- **Използвайте лични предпазни средства. Винаги носете защитни средства за очите.** Предпазните средства като респираторна маска, непързлящи се предпазни обувки, твърда каска или антифони, използвани за съответните условия, ще намалят телесните повреди.
- **Не допускайте нежелано стартиране. Уверете се, че ключът е в позиция ИЗКЛ., преди да свържете към източник на мощност и/или батериите, когато вземате или носите инструмента.** Носенето на електрически инструменти, докато пръстът Ви е на превключвателя, или включването в мрежата на инструменти, чийто прекъсвач е в позиция ВКЛ., предразполага към злополуки.
- **Извадете всички настройващи ключове или гаечни ключове, преди да включите електрическия инструмент.** Гаечен ключ или ключ, оставен закачен за въртящата се част на електрически инструмент, може да доведе до телесна повреда.
- **Не се протягайте прекалено надалеч, докато работите. Поддържайте съответната стъпка и баланс през цялото време.** Това позволява по-добър контрол на електрическия инструмент в неочаквани ситуации.
- **Обличайте се подходящо. Никога не носете широки дрехи или украшения. Дръжте косата и дрехите си далеч от движещите се части на инструмента.** Развети дрехи, бижута или дълга коса могат да бъдат закачени в движещите се части.
- **Ако са предоставени устройства за свързване на изсмукване на прах и съдове за събиране, уверете се, че те са свързани и се използват правилно.** Използването на съдове за събиране на прах може да намали опасностите, свързани с праха.
- **Не позволявайте на натрупания от честата употреба на инструменти опит да Ви вдъхне излишна увереност и да игнорирате принципите за безопасна употреба на инструменти.** Едно нехайно действие може да причини сериозно нараняване за част от секундата.

- Вибрационните емисии по време на действителна употреба на електрическия инструмент може да се различават от обявената обща стойност в зависимост от начините на използване на инструмента. Операторите трябва да установят защитни мерки, за да се предпазват. Те трябва да са базирани на изчислението на излагане в действителните условия на употреба (като се вземат предвид всички елементи на работния цикъл, като времето, когато инструментът е изключен, както и кога работи на празен ход в допълнение на времето при натиснат спусък).

## Употреба и грижа за електрическия инструмент

- **Не насилвайте електрическия инструмент. Използвайте подходящия електрически инструмент за Вашето приложение.** Правилният електрически инструмент ще свърши работата по-добре и по-безопасно със скоростта, за която е бил създаден.
- **Не използвайте електрическия инструмент, ако фиксаторът не го включва и изключва.** Всеки електрически инструмент, който не може да бъде управляван с фиксатора, е опасен и трябва да бъде поправен.
- **Разкачете щепсела от електрическия източник и/или премахнете акумулаторната батерия от електрическия инструмент, ако може да се отстрани, преди да правите каквито и да било настройки, да смените принадлежности или да съхранявате електрическите инструменти.** Тези предпазни мерки намаляват риска от нежелано стартиране на електрическия инструмент.
- **Съхранявайте неизползваните електрически инструменти далеч от достъпа на деца и не разрешавайте на хора, които не са запознати с електрическия инструмент или тези инструкции, да работят с него.** Електрическите инструменти са опасни в ръцете на необучени потребители.
- **Поддържайте електрическите инструменти и аксесоари. Проверявайте за неправилно поставяне или застъпване на движещите се части, счупени части или друго състояние, което може да се отрази на работата на електрическия инструмент. Ако електрическият инструмент бъде повреден, дайте го на поправка, преди да го използвате.** Много инциденти възникват с лошо поддържани електрически инструменти.
- **Поддържайте режещите инструменти остри и чисти.** Правилно поддържаните режещи инструменти с остри режещи краища са по-трудни за огъване и се контролират по-лесно.
- **Използвайте електрическия инструмент, принадлежностите, приставките и т. н. в съответствие с тези инструкции, като имате предвид условията и естеството на работата, която извършвате.** Използването на електрическия инструмент за операции, различни

от тези, за които е предназначен, може да доведе до опасни ситуации.

- **Поддържайте ръкохватките и повърхностите за хващане сухи, чисти и без масло и грес.** Хлъзгавите ръкохватки и повърхности за хващане не позволяват безопасно боравене и контрол над инструмента при непредвидени ситуации.

## Употреба и грижа за инструмента – акумулаторната батерия

- **Презареждайте само със зарядно устройство, определено от производителя.** Зарядно устройство, което е подходящо за един вид акумулаторна батерия, може да създаде опасност от злополука, когато се използва с друга акумулаторна батерия.
- **Използвайте продуктите само със специално определените акумулаторни батерии.** Използването на други акумулаторни батерии може да създаде риск от нараняване и пожар.
- **Когато акумулаторната батерия не е в употреба, я дръжте далеч от други метални предмети, като кламери, монети, ключове, пирони, винтове или други малки предмети, които могат да образуват връзка между едната клема и другата.** Окъсяване на изводите на акумулаторната батерия може да предизвика изгаряния или пожар.
- **При злоупотреба от акумулаторната батерия може да бъде изхвърлена течност – избягвайте допир.** При възникване на случаен контакт изплакнете с вода. Ако течността попадне в очите, потърсете допълнителна медицинска помощ. Течност, изхвърлена от акумулаторната батерия, може да причини раздразнения или изгаряния.
- **Не използвайте акумулаторна батерия или инструмент, който е повреден или модифициран.** Повредените или модифицирани акумулаторни батерии може да имат непредсказуемо поведение, което да доведе до пожар, експлозия или риск от нараняване.
- **Не излагайте акумулаторната батерия или инструмента на огън или прекомерна температура.** Излагането на огън или температура над 130°C може да причини експлозия.
- **Спазвайте всички инструкции за зареждане и не зареждайте акумулаторната батерия или инструмента извън температурния диапазон, посочен в инструкциите.** Неправилното зареждане или зареждането при температури извън посочения диапазон може да повреди акумулаторната батерия и да увеличи риска от пожар.

## Обслужване

- **Техническото обслужване на Вашия електрически инструмент трябва да се извършва от квалифицирано лице, като се използват само**

**идентични резервни части.** Това ще гарантира безопасността на електрическият инструмент.

- **Никога не обслужвайте повредени акумулаторни батерии.** Обслужването на акумулаторни батерии трябва да се извършва само от производителя или оторизирани сервизни доставчици.

### Винаги се осланяйте на здравия си разум

Невинаги може да се предвиди всяка възможна ситуация, с която може да се сблъскате. Винаги работете с повишено внимание и се осланяйте на здравия си разум. Избягвайте всички ситуации, в които имате съмнения, че няма да можете да се справите. Ако все още се чувствате несигурни за работните процедури след прочитането на тези инструкции, трябва да се консултирате с експерт, преди да продължите работа.



**ПРЕДУПРЕЖДЕНИЕ:** Никога не позволявайте на деца да използват машината или да бъдат в близост до нея. Тъй като машината се стартира лесно, децата биха могли да я включат, ако не са под постоянен надзор. Това може да означава риск от сериозна телесна повреда. Поради това изваждайте батерията, когато машината не е под пряко наблюдение.

### Общи инструкции за безопасност



**ПРЕДУПРЕЖДЕНИЕ:** Прочетете следващите предупредителни инструкции, преди да използвате продукта.

- Отстранявайте акумулаторната батерия, за да предотвратите случайното включване на продукта.
- Този продукт е опасен инструмент, ако не сте внимателни или ако го използвате неправилно. Този продукт може да причини сериозно нараняване или смърт на оператора и други хора.
- Не използвайте продукта, ако е променен спрямо първоначалните му спецификации. Не сменяйте някоя част на продукта без одобрение от производителя. Използвайте само части, които са одобрени от производителя. Неправилното техническо обслужване е възможно да доведе до нараняване или смърт.
- Извършете проверка на продукта преди употреба. Вижте *Проверка преди стартиране на страница 24* и *Преди да започнете работа с продукта на страница 32*. Не използвайте продукт, който е повреден или не работи правилно. Извършете описаните в това ръководство проверки за безопасност, както и инструкциите за техническо обслужване и сервиз.

- Децата трябва да се надзират, за да се гарантира, че няма да си играят с продукта. Никога не позволявайте на деца или други лица, които не са обучени да използват продукта и/или акумулаторната батерия, да я използват или обслужват. Възрастта на оператора може да е постановена от местните закони.
- Съхранявайте продукта в площ под ключ, за да предотвратите достъпа до него от страна на деца или лица, които не са упълномощени да го използват.
- Съхранявайте продукта на място, недостъпно за деца.
- При никакви обстоятелства не бива да се нанасят модификации в първоначалната конструкция на продукта без разрешение от производителя. Винаги използвайте оригинални принадлежности. Неоторизирани изменения и/или принадлежности могат да предизвикат сериозна телесна повреда или смърт на оператора и други лица.

**Забележка:** Възможно е използването на продукта да се регулира от национални или местни разпоредби. Спазвайте предоставените регламенти.

### Инструкции за безопасност за работа



**ПРЕДУПРЕЖДЕНИЕ:** Прочетете следващите предупредителни указания, преди да използвате продукта.

- **Не използвайте машината в лоши метеорологични условия, особено когато има опасност от мълния.** Това намалява опасността да бъдете ударени от мълния.
- **Внимателно проверете площта, където ще се използва машината, за диви животни.** По време на работа машината може да се нарани от диви животни.
- **Проверете внимателно площта, в която ще се използва машината, и отстранете всички камъни, пръчки, проводници, кости и други чужди предмети.** Изхвърлените предмети могат да причинят телесно нараняване.
- **Преди да използвате машината, винаги проверявайте визуално, за да видите дали ножът и възелът на ножа не са повредени.** Повредените части увеличават риска от нараняване.
- **Дръжте предпазителите на място. Предпазителите трябва да са в работно състояние и да са правилно монтирани.** Хлабав, повреден или неправилно функциониращ предпазител може да доведе до телесно нараняване.
- **Поддържайте всички входни отвори за охлаждащ въздух чисти от отпадъци.** Блокираните входни отвори за въздух и отломките може да доведат до прегряване или риск от пожар.

- **Носете защитни средства за очите и ушите.** Подходящото защитно оборудване ще намали телесното нараняване.
- **По време на работа с машината винаги носете неплъзгащи се и защитни обувки. Не работете с машината, когато сте боси или носите отворени сандали.** Това намалява вероятността от нараняване на краката при контакт с движещия се нож.
- **Винаги носете дрехи, като например панталони, които покриват краката, докато работите с машината.** Контактът с движещия се нож или корда може да причини нараняване.
- **Дръжте страничните лица далеч, докато работите с машината.** Изхвърлените отломки могат да доведат до сериозно телесно нараняване.
- **Не работете с машината над височината на талията.** Това предотвратява нежелан контакт с ножа и позволява по-добро управление на машината в неочаквани ситуации.
- **Бъдете внимателни, когато работите с машината при мокра трева. Ходете, никога не тичайте.** Това намалява риска от подхлъзване и падане, което може да доведе до телесно нараняване.
- **Не работете с машината по прекалено стръмни наклони.** Това намалява риска от загуба на контрол, подхлъзване и падане, което може да доведе до телесно нараняване.
- **Когато работите по наклони, винаги се уверявайте, че сте стъпили добре, винаги работете напречно на наклоните, никога нагоре или надолу, и бъдете изключително внимателни при смяна на посоката.** Това намалява риска от загуба на контрол, подхлъзване и падане, което може да доведе до телесно нараняване.
- **Дръжте всички захранващи шнурове и кабели далеч от площта на рязане.** Захранващи шнурове или кабели може да бъдат скрити в храстите и случайно да бъдат отрязани или повредени от кордата или ножа.
- **Дръжте всички части на тялото си далеч от движещия се нож или корда на тримера. Не чистете материала от машината, докато не бъде разкачена от източника на захранване.** Подвижният нож или корда на тримера може да доведе до сериозно телесно нараняване.
- **Носете машината в изключено състояние и далеч от тялото.** Правилното боравене с машината ще намали вероятността от случаен контакт с движещ се нож или корда на тримера.
- **Използвайте само резервни режещи глави и ножове или корди на тримери, определени от производителя. Не сменяйте ножовете или кордите на тримера с метални въжета или ножове.** Неправилните резервни части може да причинят загуба на контрол, счупване и нараняване.

## Лични предпазни средства



**ПРЕДУПРЕЖДЕНИЕ:** Прочетете следващите предупредителни указания, преди да използвате продукта.

- При работа с продукта винаги използвайте одобрени лични предпазни средства. Личните предпазни средства не изключват изцяло риска от нараняване, но намаляват степента на нараняването при злополука. Нека Вашият дистрибутор Ви помогне да изберете правилното оборудване.
- Използвайте одобрени антифони.

(Фиг. 17)

- Използвайте одобрени защитни средства за очите. Ако използвате маска, използвайте също и одобрени защитни очила. Одобрените защитни очила трябва да отговарят на стандарт ANSI Z87.1 за САЩ или EN 166 за страните от ЕС.

(Фиг. 18)

- Когато е необходимо, носете ръкавици, например когато закрепвате, проверявате или почиствате режещото оборудване.

(Фиг. 19)

- Носете защитни ботуши със стоманени бомбета и противоплъзгащи подметки.

(Фиг. 20)

- Използвайте дрехи, направени от здрава тъкан. Винаги използвайте здрави, дълги панталони и дълги ръкави. Не носете използвайте дрехи, които могат да се захванат за храсти и клони. Не носете бижута, къси панталони или сандали. Не ходете боси. Носете косата си безопасно над нивото на рамената.

- Дръжте наблизко комплект за първа помощ.

(Фиг. 21)

## Устройства за безопасност на продукта



**ПРЕДУПРЕЖДЕНИЕ:** Прочетете следващите предупредителни инструкции, преди да използвате продукта.

В този раздел се описва предпазното оборудване на продукта, неговото предназначение и как трябва да се извършват проверки и техническо обслужване, за да се гарантира правилната работа. Вижте инструкциите под заглавието, *Въведение на страница 23* за да разберете къде са разположени тези части по продукта Ви.

Срокът на експлоатация на продукта може да се намали, а рискът от злополуки да се повиши, ако не се извършва правилно техническо обслужване на продукта и сервизното обслужване и/или ремонтите не се извършват професионално. Ако

Ви е необходима допълнителна информация, моля, свържете се със сервизния дилър, разположен най-близо до Вас.



**ПРЕДУПРЕЖДЕНИЕ:** Никогa не използвайте продукт с повредени обезопасителни компоненти. Предпазното оборудване на продукта трябва да бъде прегледвано и технически обслужвано, както е описано в този раздел. Ако продуктът Ви не премине успешно някоя от тези проверки, се свържете със сервиза си за извършване на ремонт.



**ВНИМАНИЕ:** Всяко извършване на сервизно обслужване и ремонт на машината изисква специално обучение. Това важи в особена степен за предпазните средства на машината. Обърнете към сервиза си, ако машината не отговаря на описаните по-долу проверки. При покупката на наш продукт ние гарантираме предоставянето на професионални ремонтни услуги и сервиз. Ако търговецът, от когото сте закупили машината, не е сервизен дилър, попитайте за адреса на най-близкия сервиз.

#### За проверка на клавиатурата

1. Натиснете и задръжте бутонa за стартиране/спирание (A). (Фиг. 22)
  - a) Продуктът е включен, когато светодиодът (B) свети.
  - b) Продуктът е изключен, когато светодиодът (B) не свети.
2. Вижте *Клавиатура на страница 36*, ако индикаторът за предупреждение (C) светне или примигва.

#### За проверка на блокировката на захранващия спусък

Блокировката на захранващия спусък предотвратява случайно стартиране. Когато натиснете блокировката на захранващия спусък (A), тя освобождава захранващия спусък (B). Когато освободите ръкохватката, захранващият спусък и блокировката на захранващия спусък се връщат в изходното си положение. (Фиг. 23)

1. Уверете се, че захранващият спусък е заключен, когато блокировката на захранващия спусък е в изходното си положение. (Фиг. 24)
2. Натиснете захранващия спусък и се уверете, че се връща в първоначалното си положение, когато го освободите. (Фиг. 25)

3. Уверете се, че захранващият спусък и блокировката на захранващия спусък се движат свободно и че възвратната пружина работи правилно. (Фиг. 26)
4. Стартирайте продукта. Вижте *За стартиране на продукта на страница 33*.
5. Приложете пълна мощност.
6. Освободете захранващия спусък и се уверете, че режещото оборудване напълно спира.

#### За проверка на смазването на режещото оборудване



**ПРЕДУПРЕЖДЕНИЕ:** Не използвайте режещо оборудване без одобрен и правилно поставен предпазител на режещото оборудване. Винаги използвайте предпазителя за режещото оборудване, което използвате, вижте *Технически данни на страница 38*. Използването на неподходящ или неизправен предпазител на режещото оборудване може да доведе до сериозна телесна повреда.

Предпазителят на режещото оборудване предотвратява изхвърляне на предмети по посока на оператора. Предпазителят на режещото оборудване също така предпазва от наранявания, които биха възникнали при докосване на режещото оборудване.

1. Спрете двигателя.
2. За извършване на визуална проверка например пукнатини.
3. Подменете предпазителя на режещото оборудване, ако бъде повреден.

#### Режещо оборудване

Изберете подходящо режещо оборудване и извършете техническо обслужване на оборудването, за да:

- Получите максимална ефективност на рязане.
- Увеличите експлоатационния живот на режещото оборудване.



#### ПРЕДУПРЕЖДЕНИЕ:

Използвайте режещите приставки само с препоръчаното от нас предпазно оборудване! Вижте *Технически данни на страница 38*. Направете справка с инструкциите за режещата приставка, за да намерите правилния начин за намотаване на кордата на тримера и правилния диаметър на кордата на тримера.



### ПРЕДУПРЕЖДЕНИЕ:

Повредена режеща приставка може да повиши риска от злополуки.



### ПРЕДУПРЕЖДЕНИЕ:

Винаги спирайте двигателя, преди да започнете да работите по режещата приставка. Тя продължава да се върти, след като сте отпуснали газта. Уверете се, че режещата приставка е спряла напълно и разкачете лулата на запалителната свещ, преди да започнете работа по нея.

#### Тримерна глава



**ПРЕДУПРЕЖДЕНИЕ:** Винаги се уверявайте, че кордата на тримера е навита плътно и равномерно около барабана, за да се предотврати вредна вибрация.

(Фиг. 27)

- Използвайте само препоръчаните тримерни глави и тримерни корди.
- Използвайте само препоръчаното режещо оборудване.
- По-малките машини изискват малки тримерни глави и обратно.
- Дължината на кордата на тримера е важна. Подългата корда изисква по-голяма мощност на двигателя отколкото късата корда със същия диаметър.
- Уверете се, че режещият на предпазителя на тримера не е повреден. Това реже кордата на тримера до правилната дължина.
- Накиснете кордата на тримера във вода за няколко дни преди употреба, за да увеличите продължителността на работния ресурс.

### Безопасност на акумулаторната батерия



**ПРЕДУПРЕЖДЕНИЕ:** Прочетете следващите предупредителни инструкции, преди да използвате продукта.

- Използвайте само акумулаторна батерия от серия BLi и серия 40-B. За подробности направете справка с *Технически данни на страница 38*. Акумулаторната батерия е шифрована софтуерно.
- Използвайте само акумулаторна батерия от серия BLi и серия 40-B, която е презареждаема, като източник на захранване само за свързаните продукти Husqvarna. За да предотвратите нараняване, не използвайте акумулаторната

батерия като източник на захранване за други устройства.

- Опасност от електрически удар. Не свързвайте клемите на акумулаторната батерия с ключове, монети, винтове или други метални предмети. Това може да причини късо съединение на акумулаторната батерия.
- Не използвайте непрезареждаеми акумулаторни батерии.
- Не поставяйте предмети във въздушните отвори на акумулаторната батерия.
- Съхранявайте акумулаторната батерия далеч от слънчева светлина, топлина или открит огън. Акумулаторната батерия може да причини изгаряния и/или химически изгаряния.
- Съхранявайте акумулаторната батерия далеч от дъжд или влага.
- Съхранявайте акумулаторната батерия далеч от микровълни и високо налягане.
- Не се опитвайте да разглобите или счупите акумулаторната батерия.
- Ако в акумулаторната батерия има теч, не оставяйте течността да влиза в контакт с тялото или очите. Ако докоснете течността, измийте мястото с голямо количество вода и сапун и потърсете медицинска помощ. Ако в очите Ви попадне течност, не ги търкайте, а ги промийте с вода в продължение на най-малко 15 минути и потърсете медицинска помощ.
- Използвайте акумулаторната батерия при температури между  $-10^{\circ}\text{C}$  ( $14^{\circ}\text{F}$ ) и  $40^{\circ}\text{C}$  ( $114^{\circ}\text{F}$ ).
- Не почиствайте акумулаторната батерия или зарядното устройство за акумулаторни батерии с вода. Направете справка с *За почистване на продукта, батерията и зарядното устройство на страница 35*.
- Не използвайте дефектна или повредена акумулаторна батерия.
- Съхранявайте акумулаторната батерия далеч от метални предмети, като гвоздеи, винтове или бижута.
- Дръжте акумулаторната батерия далеч от деца.

### Инструкции за безопасност за зарядното устройство на акумулаторната батерия



**ПРЕДУПРЕЖДЕНИЕ:** Прочетете следващите предупредителни инструкции, преди да използвате продукта.

- Ако не се спазват инструкциите за безопасност, има риск от токов удар или късо съединение.
- Не използвайте зарядни устройства, различни от доставеното с машината. Използвайте само зарядни устройства QC80 и 40-C80, когато

зареждате резервните акумулаторни батерии от серия BLi и серия 40-B.

- Не опитвайте да разглобите зарядното устройство за акумулаторни батерии.
- Не използвайте дефектно или повредено зарядно устройство за акумулаторни батерии.
- Не повдигайте зарядното устройство за акумулаторни батерии, като го държите за охраняващия шнур. За да изключите зарядното устройство за акумулаторни батерии от стенен контакт, извадете щепсела. Не дърпайте охраняващия шнур.
- Дръжте всички кабели и удължителни кабели далеч от вода, масло и остри ръбове. Уверете се, че кабелът не е захванат между предмети, като например врати, огради или подобни.
- Не използвайте зарядното устройство за акумулаторни батерии близо до запалими материали или материали, които могат да причинят корозия. Уверете се, че зарядното устройство за акумулаторни батерии не е покрито. Ако има дим или огън, извадете щепсела на зарядното устройство за акумулаторни батерии.
- Зареждайте акумулаторната батерия само на закрито, на място с добро проветряване и далеч от слънчева светлина. Не зареждайте акумулаторната батерия на открито. Не зареждайте акумулаторната батерия във влажна среда.
- Използвайте зарядното устройство за акумулаторни батерии само при температури между 5°C (41°F) и 40°C (104°F). Използвайте зарядното устройство за акумулаторни батерии в среда, която е суха, без прах и има добро проветряване.
- Не поставяйте предмети в охлаждащите отвори на зарядното устройство за акумулаторни батерии.
- Не свързвайте клемите на зарядното устройство за акумулаторни батерии към метални предмети, тъй като това може да предизвика късо съединение на зарядното устройство за акумулаторни батерии.

- Използвайте одобрени стенни контакти, които не са повредени. Уверете се, че шнурът на зарядното устройство за акумулаторни батерии не е повреден. Ако използвате удължителни кабели, се уверете, че те не са повредени.
- Не зареждайте незареждаеми акумулаторни батерии в зарядните устройства за акумулаторни батерии.

## Инструкции за безопасност при техническо обслужване



**ПРЕДУПРЕЖДЕНИЕ:** Прочетете следващите предупредителни указания, преди да извършвате техническо обслужване на продукта.

- Извадете батерията, преди да извършите техническо обслужване, други проверки или сглобяване на продукта.
- Операторът трябва да извършва само техническо обслужване и ремонтни дейности, показани в тази инструкция за експлоатация. Обърнете се към Вашия сервизен дилър при нужда от по-сериозно техническо обслужване и ремонтни дейности.
- Не почиствайте батерията или зарядното устройство с вода. Силните почистващи препарати могат да повредят пластмасата.
- Ако не извършвате техническо обслужване, това намалява експлоатационния живот на продукта и увеличава риска от злополука.
- Необходимо е специално обучение за всички ремонтни дейности и поправки особено що се отнася до приспособленията за безопасност на продукта. Ако не всички проверки в тази инструкция за експлоатация са одобрени, след като сте извършили техническото обслужване, обърнете се към Вашия сервизен дилър. Ние гарантираме, че за Вашия продукт има налични професионални поправки и ремонти.
- Използвайте само оригинални резервни части.

## Монтаж

### Въведение



**ПРЕДУПРЕЖДЕНИЕ:** Прочетете и разберете главата за безопасност, преди да монтирате продукта.

### За да прикрепите защитата на тримера

1. Поставете предпазителя на тримера към корпуса на двигателя. (Фиг. 28).

2. Монтирайте болта през корпуса на двигателя и предпазителя на тримера. (Фиг. 29)
3. Затегнете болта.

### За монтаж на тримерната глава

1. Завъртете изходния вал, докато отворът в задвижващия диск се изравни с отвора в корпуса на скоростната кутия.
2. Поставете шплинта в отвора, за да заключите двусекционния вал.

- Завъртете тримерната глава обратно на часовниковата стрелка. (Фиг. 30)

## За монтаж на примковата ръкохватка

- Поставете винта в примковата ръкохватка. (Фиг. 31)
- Монтирайте примковата ръкохватка към оборудването на двусекционния вал.
- Затегнете винтовете.
- Регулирайте примковата ръкохватка до правилно положение. Вижте *За регулиране на примковата ръкохватка и телескопичния двусекционен вал на страница 33.*

## Монтиране на предпазителя за растения

- Монтирайте предпазителя за растения в отворите на корпуса на двигателя. (Фиг. 32)
- Уверете се, че предпазителят на растения може свободно да се движи напред и назад. (Фиг. 33)

## За монтиране на зарядното устройство за акумулаторни батерии 40-C80 на стената



**ВНИМАНИЕ:** Не използвайте електрическа отвертка, за да монтирате зарядното устройство за акумулаторни батерии към стената. Електрическа отвертка може да причини повреда на зарядното устройство за акумулаторни батерии.

- Монтирайте зарядното устройство за акумулаторни батерии на стената с 2-та винта (B). Ако е необходимо, използвайте дюбелите (A). (Фиг. 34)
- Монтирайте 2-те капачки за отвори за винтове (C).
- Свържете захранващия шнур към зарядното устройство за акумулаторни батерии и стенен контакт.

## Операция

### Въведение



**ПРЕДУПРЕЖДЕНИЕ:** Прочетете и разберете раздела с инструкции за безопасност преди използване на продукта.

### Преди да започнете работа с продукта

- Прегледайте работния участък, за да се уверите, че познавате вида на терена. Прегледайте наклона на терена и дали има препятствия като камъни, клони и канавки.
- Извършете цялостна инспекция на продукта.
- Извършете инспекциите за безопасност, техническо обслужване и обслужване, които са посочени в това ръководство.
- Проверете двигателя за мръсотия или пукнатини. Използвайте четка за почистване на двигателя от трева и листа. Използвайте ръкавици, когато е необходимо.
- Проверете тримерната глава и предпазителя на режещото оборудване за повреди и пукнатини. Подменете тримерната глава и предпазителя на режещото оборудване, ако са били ударени или ако по тях има пукнатини.
- Уверете се, че всички гайки и винтове са затегнати.
- Преди да стартирате продукта, се уверете, че всички капази, предпазители, ръкохватки и

режещо оборудване са правилно закрепени и не са повредени.

### Акумулаторна батерия



**ПРЕДУПРЕЖДЕНИЕ:** Прочетете и разберете главата за безопасност преди използване на акумулаторната батерия. Прочетете и разберете ръководството за оператора за акумулаторната батерия и зарядното устройство за акумулаторни батерии.

Поддържайте правилни околни температури за акумулаторната батерия и зарядното устройство за акумулаторни батерии.

	Околна температура
Работа на акумулаторната батерия	5°C – 40°C/41°F – 104°F
Зареждане на акумулаторната батерия	5°C – 40°C/41°F – 104°F

### Състояние на акумулаторната батерия

Дисплеят показва състоянието на зареждане и дали има проблеми с акумулаторната батерия.

(Фиг. 35)



Светодиоден индикатор	Състояние на акумулаторната батерия (състояние на зареждане)	
	BLi10, BLi20	40-B70, 40-B140
4 светодиодни светлини светят	Не е налично	Акумулаторната батерия е заредена на 76% – 100%.
3 светодиодни светлини светят	Акумулаторната батерия е заредена на 76% – 100%.	Акумулаторната батерия е заредена на 51% – 75%.
2 светодиодни светлини светят	Акумулаторната батерия е заредена на 51% – 75%.	Акумулаторната батерия е заредена на 26% – 50%.
1 светодиодна светлина свети	Акумулаторната батерия е заредена на 26% – 50%.	Акумулаторната батерия е заредена на 6% – 25%.
1 светодиодна светлина мига	Акумулаторната батерия е заредена на 0% – 25%.	Акумулаторната батерия е заредена на 0% – 5%.

### За зареждане на акумулаторната батерия

Заредете батерията, ако това е първият път, в който я използвате. Новата акумулаторна батерия е заредена само на 30%.



**ВНИМАНИЕ:** Свържете зарядното устройство за акумулаторни батерии към захранващ контакт с напрежението и честотата, указани на табелката с данни.

Акумулаторната батерия не се зарежда, ако нейната температура е по-висока от 50°C (122°F).

1. Свържете захранващия шнур към зарядното устройство за акумулаторни батерии.
2. Свържете зарядното устройство за акумулаторни батерии към заземен захранващ контакт. Светодиодът за зареждане мига еднократно. (Фиг. 36)
3. Свържете акумулаторната батерия към зарядното устройство. Светодиодът за зареждане светва. Зареждайте акумулаторната батерия за най-много 24 часа. (Фиг. 37)
4. Натиснете бутона на индикатора върху акумулаторната батерия; ако всички светодиодни индикатори светнат, акумулаторната батерия е напълно заредена.
5. Издърпайте захранващия щепсел, за да изключите зарядното устройство за акумулаторни батерии от захранващия контакт. Не дърпайте захранващия шнур.
6. Отстранете акумулаторната батерия от зарядното устройство.

### За свързване на батерията към продукта



#### ПРЕДУПРЕЖДЕНИЕ:

Използвайте само оригиналната акумулаторна батерия Husqvarna за продукта.

1. Заредете батерията напълно.
2. Притиснете акумулаторната батерия в държача на батерията на продукта. Батерията се заключва в позиция, когато чуете щракване. (Фиг. 38)



**ВНИМАНИЕ:** Ако батерията не влезе лесно в държача, значи тя не е поставена правилно. Това може да повреди продукта.

### За стартиране на продукта

1. Натиснете и задръжте бутона за стартиране/спиране, докато зеленият светодиод не светне. (Фиг. 39)
2. Натиснете блокировката на захранващия спусък и захранващия спусък. Режещото оборудване започва да се върти.

### За регулиране на примковата ръкохватка и телескопичния двусекционен вал

1. Разхлабете блокиращата ръкохватка и регулирайте примковата ръкохватка до правилно положение. (Фиг. 40)
2. Затворете блокиращата ръкохватка.
3. Разхлабете лоста на двусекционния вал. (Фиг. 41)

4. Настройте необходимата дължина на двусекционния вал. Уверете се, че можете да видите триъгълника на вала. (Фиг. 42)
5. Затворете лоста и затегнете винта.

**Забележка:** Не закрепвайте примковата ръкохватка върху предупредителните лепенки на вала.

## За да използвате функцията SavE

Този продукт има функция за пестене на енергията – SavE.

**Забележка:** Функцията SavE не намалява мощността на рязане на продукта.

1. Натиснете бутона SavE на клавиатурата.
2. Уверете се, че светва зеленият светодиод.
3. Натиснете отново бутона SavE, за да прекъснете функцията. Зеленият светодиод изгасва. (Фиг. 43)

## Функция за автоматично изключване

Продуктът разполага с функция за изключване, която го спира, ако продуктът не се използва. Зеленият индикаторен светодиод за старт/стоп изгасва и след 180 секунди продуктът спира.

## За работа с продукта

### Кастрене на трева

1. Дръжте тримерната глава непосредствено над земята под ъгъл. Не натискайте кордата на тримера в тревата. (Фиг. 44)
2. Намалете дължината на кордата на тримера с 10 – 12 cm/4 – 4,75 in.
3. Намалете оборотите на двигателя, за да понижите опасността от увреждане на растенията.
4. Използвайте 80% газ, когато режете трева близо до обекти. (Фиг. 45)

### За да почистите затревени зони

1. Придържайте тримерната глава над земята.
2. Наклонете тримерната глава.
3. Окосете с края на кордата на тримера около обектите в работната зона.



**ВНИМАНИЕ:** Косете само тревата. Удрянето на кордата на тримера в други обекти увеличава износването на кордата.

### Рязане на трева

1. Уверете се, че кордата на тримера е успоредна на земята, когато режете тревата. (Фиг. 46)
2. Не натискайте тримерната глава към земята. Това може да повреди продукта.
3. Движете продукта от едната към другата страна, когато режете трева. Работете на пълни обороти. (Фиг. 47)

### За почистване на трева

Въздушният поток от кордата на въртящия се тример може да се използва за отстраняване на отрязана трева от зоната.

1. Хванете тримерната глава и кордата на тримера успоредно на земята и над земята.
2. Приложете пълна газ.
3. Движете тримерната глава от едната страна до другата и почиствайте тревата.



### ПРЕДУПРЕЖДЕНИЕ:

Почиствайте капака на тримерната глава всеки път, когато монтирате нова корда на тримера, за да предотвратите нарушаване на баланса и вибрации в ръкохватките. Освен това извършете проверка на другите части на тримерната глава и я почистете, ако е необходимо.

### Спиране на продукта

1. Освободете захранващия спусък и блокировката на захранващия спусък.
2. Натискайте бутона за стартиране/спиране, докато зеленият светодиод изгасне.
3. Натиснете бутоните за освобождаване на акумулаторната батерия и я извадете от продукта. (Фиг. 48)

### За смяна на кордата на тримера

Направете справка с последната страница от инструкцията за експлоатация.

## Поддръжка

### Въведение



**ПРЕДУПРЕЖДЕНИЕ:** Прочетете и разберете главата с инструкции

за безопасност, преди да започнете техническо обслужване на продукта.

## График за техническо обслужване



**ПРЕДУПРЕЖДЕНИЕ:** Извадете акумулаторната батерия, преди да извършите техническото обслужване.

Следва списък със стъпките от техническото обслужване, които трябва да изпълните за Вашия продукт. Вижте *Поддръжка на страница 34* за допълнителна информация.

Поддръжка	Ежедневно	Всяка седмица	Всеки месец
Почистете външните части на продукта със суха кърпа. Не използвайте вода.	X		
Проверете дали бутонът за стартиране и спиране работи правилно и не е повреден.	X		
Уверете се, че захранващият спусък и блокировката на захранващия спусък работят правилно от гледна точка на безопасността.	X		
Уверете се, че всички контролни органи работят и не са повредени.	X		
Поддържайте ръкохватките сухи, чисти, без масло и грес.	X		
Уверете се, че режещото оборудване не е повредено. Подменете режещото оборудване, ако е повредено.	X		
Уверете се, че предпазителят на режещото оборудване не е повреден. Подменете предпазителя на режещото оборудване, ако бъде повреден.	X		
Уверете се, че всички винтове и гайки са затегнати.	X		
Уверете се, че бутоните за освобождаване на акумулаторната батерия работят и заключават батерията в продукта.	X		
Проверете дали зарядното устройство не е повредено и дали работи изправно.	X		
Уверете се, че батерията не е повредена.	X		
Уверете се, че акумулаторът е зареден.	X		
Уверете се, че зарядното устройство не е повредено.	X		
Проверете всички кабели, свързвания и връзки. Уверете се, че не са повредени и че са чисти.		X	
Проверете връзките между акумулаторната батерия и продукта. Проверете връзката между акумулаторната батерия и зарядното устройство.			X

### За проверка на батерията и зарядното устройство

1. Проверете батерията за повреди, като например пукнатини.
2. Проверете зарядното устройство за повреди, като например пукнатини.
3. Уверете се, че свързващият кабел на зарядното устройство не е повреден и напукан.

### За почистване на продукта, батерията и зарядното устройство

1. Почиствайте продукта със сух парцал след употреба.

2. Почиствайте батерията и зарядното устройство със сух парцал. Дръжте водачите на батерията чисти.
3. Уверете се, че клемите на батерията и зарядното устройство са чисти, преди батерията да е поставена в зарядното устройство или в продукта.

### За проверка и смяна на тримерната глава

1. Проверете тримерната глава за замърсявания и пукнатини.
2. Извадете механизма за подаване на корда за кордата на тримера.

3. Отстранете тримерната глава. (Фиг. 49)

4. Сменете тримерната глава.

5. Монтирайте тримерната глава. Вижте *За монтаж на тримерната глава на страница 31.*

## Отстраняване на проблеми

### Клавиатура

Светодиоден екран	Възможни неизправности	Възможни решения
Светодиодът за грешка мига.	Претоварване	Режещото оборудване не може да се движи свободно. Освободете режещото оборудване.
	Температурно отклонение	Оставете продукта да се охлади.
Продуктът не стартира.	Натиснете захранващия спусък и стартерния бутон едновременно.	Отпуснете захранващия спусък и спрете продукта.
Светодиодът за грешка светва с червена светлина.	Необходимо е извършването на сервизно обслужване на продукта	Говорете с Вашия сервизен търговец.

### Акумулаторна батерия

Светодиоден дисплей	Възможни неизправности	Възможно действие
Зеленият светодиод мига.	Ниско напрежение на акумулаторната батерия.	Заредете акумулаторната батерия.
Светодиодът за грешка мига.	Температурно отклонение.	Използвайте акумулаторната батерия при температури между -10°C (14°F) и 40°C (104°F).
	Твърде високо напрежение.	Уверете се, че мрежовото напрежение отговаря на напрежението на типовата табелка на продукта.  Издадете акумулатора от зарядното устройство.
Светодиодът за грешка свети.	Разликата в клетките е твърде голяма (1 V).	Говорете с дистрибутора по сервизното обслужване.

### Зарядно устройство за акумулатора

Проблем	Възможни неизправности	Възможно решение
Светодиодът за зареждане свети в червено.	Постоянна грешка в зарядното устройство за акумулаторни батерии.	Говорете с Вашия дилър.

Проблем	Възможни неизправности	Възможно решение
Светодиодът за зареждане мига в зелено.	Температурно отклонение, акумулаторната батерия е твърде студена или твърде гореща за използване или зареждане.	Оставете акумулаторната батерия да изстине или я загрейте. Когато акумулаторната батерия е с правилната температура, тя може да се използва или зарежда отново. Използвайте зарядното устройство за батерии при температури на околната среда между 5°C (41°F) и 40°C (104°F).
Светодиодът за зареждане мига в червено.	Неизправна акумулаторна батерия.	Говорете с Вашия дилър.

## Транспортиране, съхранение и изхвърляне

### Транспорт и съхранение

- Доставените литиево-йонни батерии отговарят на изискванията на законодателството за опасни продукти.
- Специалното изискване на опаковката и етикетите за търговско транспортиране трябва да се спазва, включително от трети страни и спедитори.
- Говорете с човек, преминал специално обучение за работа с опасни материали, преди да изпратите продукта. Спазвайте всички приложими национални наредби.
- Поставете тиксо върху откритите терминали, когато поставяте батерията в опаковка. Поставете акумулатора плътно в опаковката, за да предотвратите движението.
- Извадете батерията при съхраняване или транспортиране.
- Поставете батерията и зарядното устройство в сухо пространство, в което няма влага и скреж.
- Не съхранявайте акумулатора на места, където може да се натрупа статично електричество. Не съхранявайте акумулатора в метална кутия.
- Поставете акумулаторната батерия за съхранение при температура между 5°C/41°F и 25°C/77°F и далеч от пряка слънчева светлина.
- Поставете зарядното устройство за съхранение при температура между 5°C/41°F и 45°C/113°F и далеч от пряка слънчева светлина.
- Използвайте зарядното устройство само когато околната температура е между 5°C/41°F и 40°C/104°F.

- Заредете батерията между 30% и 50%, преди да я оставите за съхранение за продължително време.
- Съхранявайте зарядното устройство в затворено и сухо пространство.
- При съхранение дръжте акумулатора и зарядното устройство отделно. Не позволявайте на деца или други неодобриени лица да имат контакт с оборудването. Дръжте оборудването в пространство, което можете да заключавате.
- Почистете продукта и извършете пълно обслужване, преди да го съхранявате продължително време.
- Използвайте защитата при транспортиране на продукта, за да предотвратите наранявания или повреди на продукта по време на транспортиране и съхранение.
- Закрепете продукта безопасно при транспортиране.

### Изхвърляне на батерията, зарядното устройство и продукта

Символите на продукта или на неговата опаковка означават, че той не е битов отпадък. Рециклирайте го в пункт за рециклиране за електрическо и електронно оборудване. Това помага да се предотврати увреждане на околната среда или на хора.

Свържете се с местните служби, местна сметосъбираща организация или с Вашия дилър за повече информация относно рециклирането на продукта.

## Технически данни

### Технически характеристики

	<b>215iL</b>
<b>Двигател</b>	
Тип на двигателя	BLDC
Скорост на изходния вал, об/мин	6800
Ширина на рязане, mm	310
<b>Тегло</b>	
Тегло без акумулаторна батерия, kg	2,9
<b>Шумови емисии</b> <sup>4</sup>	
Ниво на звуковата мощност, измерено, измерена dB (A)	90,5
Ниво на звуковата мощност, гарантирано L <sub>WA</sub> dB (A)	92
<b>Нива на шума</b> <sup>5</sup>	
Еквивалентно ниво на звуковото налягане при ухото на оператора, измерено съгласно EN ISO 50636-2-91, dB (A)	74,9
<b>Нива на вибрациите</b> <sup>6</sup>	
Нива на вибрациите в ръкохватките, измерени съгласно EN50636-2-91, m/s <sup>2</sup>	4,5/2,7
Оборудван с тримерна глава (оригинална), отпред/отзад.	

### Одобрени акумулаторни батерии за продукта

Акумулаторна батерия	BLi10	BLi20	40-B70	40-B140
Тип	Литиевойонен	Литиевойонен	Литиевойонен	Литиевойонен
Капацитет на акумулаторната батерия, Ah	Направете справка с лепенката с номинални стойности на акумулаторната батерия	Направете справка с лепенката с номинални стойности на акумулаторната батерия	Направете справка с лепенката с номинални стойности на акумулаторната батерия	Направете справка с лепенката с номинални стойности на акумулаторната батерия

<sup>4</sup> Емисии на шума в околната среда, измерени като звукова мощност (L<sub>WA</sub>) в съответствие с директива на ЕО 2000/14/ЕО. Разликата между гарантираното и измереното ниво на шума е в това, че гарантираното ниво на шума включва също и дисперсията в резултата от измерването, както и вариациите между различните продукти от един и същи модел в съответствие с Директива 2000/14/ЕО.

<sup>5</sup> Отчетените данни за еквивалентното ниво на звуковото налягане за продукта имат типична статистическа дисперсия (стандартно отклонение) от 2,5 dB (A).

<sup>6</sup> Отчетените данни за нивото на вибрациите имат типична статистическа дисперсия (стандартно отклонение) от 1,5 m/s<sup>2</sup>.

Акумулаторна батерия	BLI10		BLI20		40-B70	40-B140
	Номинално напрежение, V	36	36,5	36	36,5	36
Тегло, lb/kg	0,7	0,7	1,2	1,2	0,8	1,25

### Одобрени зарядни устройства за продукта

Зарядно устройство за акумулаторна батерия	QC80	40-C80
Напрежение на мрежата, V	100 – 240	100 – 240
Честота, Hz	50 – 60	50 – 60
Мощност, W	100	72
Изходно напрежение, V прав ток/ амperi, A	36/2	43/1,6

---

## Принадлежности

---

### Одобрени приспособления

Одобрени приспособления	Тип	Предпазител на режещо оборудване, арт. №
Тримерна глава	R25B (Ø 2 mm корда)	529 96 69-01

## Декларация за съответствие

### Декларация за съответствие на ЕС

Ние, **Husqvarna AB**, SE-561 82 Huskvarna, Швеция,  
тел.: +46-36-146500, декларираме на своя собствена  
отговорност, че продуктът:

Описание	Акумулаторен тример за морава
Марка	Husqvarna
Тип/модел	215iL
Идентификация	Серийни номера от 2024 и нататък

отговаря напълно на следните директиви и  
регламенти на ЕС:

Директива/ регламент	Описание
2006/42/ЕО	"относно машините"
2014/30/ЕС	"относно електромагнитната съвместимост"
2000/14/ЕО	"относно шумовите емисии в околната среда"
2011/65/ЕС	"по отношение на ограничението за използване на определени опасни вещества в електрическо и електронно оборудване"

и че следните стандарти и/или технически  
спецификации са приложени: EN 60335-1:2012/  
A15:2021, EN 50636-2-91:2014, EN IEC 63000:2018,  
EN IEC 55014-1:2021; EN IEC 55014-2:2021.

Упълномощен орган: 0197 TÜV Rheinland LGA  
Products GmbH, Tillystraße 2, 90431 Nürnberg,  
Germany, сертифицира за съответствие с Директива  
на съвета 2000/14/ЕО, процедура за оценка на  
съответствието: приложение VI.

За информация относно шумовите емисии  
направете справка с *Технически данни на страница  
38*.

Huskvarna, 2024-02-01



Claes Losdal, мениджър по развойна дейност,  
Husqvarna AB

Отговорен за техническата документация



## Obsah

Úvod.....	41	Přeprava, skladování a likvidace.....	53
Bezpečnost.....	42	Technické údaje.....	53
Montáž.....	48	Příslušenství.....	54
Provoz.....	48	Prohlášení o shodě.....	55
Údržba.....	50	Příloha .....	454
Odstraňování problémů.....	52		



---

## Úvod

---

### Popis výrobku

Husqvarna 215iL je akumulátorový vyžinač s elektrickým motorem.

Nepřetržitě pracujeme na tom, abychom zvýšili vaši bezpečnost a efektivitu při používání. Další informace získáte u svého prodejce poskytujícího servis.

### Zamýšlené použití

Výrobek se používá s nekovovými vyžínacími strunami, nekovovými strunami nebo ekvivalentními nekovovými

ohebnými žacími prvky. Nepoužívejte výrobek k jiným účelům než je vyžínání plevele, trávy nebo podobné měkké vegetace.

---

**Povšimněte si:** Věk pro používání výrobku může být omezen místními předpisy.

---

### Popis výrobku

(Obr. 1)

1. Strunová hlava
2. Kryt řezacího nástavce
3. Hřídel
4. Nastavení hřídele (teleskopické)
5. Držadlo ve tvaru „D“
6. Klávesnice
7. Varovná kontrolka klávesnice
8. Vypínač
9. Tlačítko Save (Úspora energie)
10. Páčka spínače
11. Pojistka páčky spínače
12. Indikátor napájení a výstražný indikátor
13. Konektor
14. Nabíječka baterií 40-C80
15. Nabíječka baterií QC80
16. Napájecí kabel
17. Ramínko na ochranu rostlin
18. Varovná kontrolka baterie
19. Stav baterie
20. Tlačítko ukazatele stavu baterie
21. Tlačítka pro uvolnění baterie
22. Baterie
23. Kombinovaný nástroj
24. Návod k používání

### Symboly na výrobku

- (Obr. 2) **VAROVÁNÍ:** Tento výrobek může být nebezpečný a způsobit obsluze či dalším osobám vážné zranění. Buďte opatrní a výrobek používejte správně.
- (Obr. 3) Před použitím si pozorně prostudujte tento návod k používání a nepoužívejte výrobek, pokud návodu zcela nerozumíte.
- (Obr. 4) Použijte ochranu očí.

(Obr. 5) Nevystavujte dešti.

(Obr. 6) Štítek s emisemi hluku do okolí podle směrnic a předpisů EU a Spojeného království (také podle legislativy v australském Novém Jižním Walesu). Údaje o emisích hluku naleznete na štítku stroje a v kapitole Technické údaje.

(Obr. 7) Zajistěte bezpečnou vzdálenost dalších osob od výrobku.

(Obr. 8) Před údržbou odpojte baterii.

(Obr. 9) Výrobek ani obal výrobku nelze zlikvidovat jako domácí odpad. Odevzdejte jej ve stanici pro recyklaci elektrických a elektronických zařízení.

(Obr. 10) Výrobek odpovídá příslušným směrnici EU.

(Obr. 11) Výrobek vyhovuje platným předpisům Spojeného království.

(Obr. 12) Stejnoseměrný proud.

yyyywwxxxxx

Typový štítek s výrobním číslem nebo natištěné číslo. **yyyy** znamená rok výroby a **ww** znamená týden výroby.

### Symboly na baterii nebo na nabíječce baterií

(Obr. 16)

Odevzdejte výrobek ve stanici pro recyklaci elektrických a elektronických zařízení. (Platí pouze pro Evropu)

- (Obr. 13) Transformátor se zabezpečením proti selhání.
- (Obr. 14) Nabíječku baterií používejte a skladujte pouze ve vnitřních prostorech.
- (Obr. 15) Dvojitá izolace.

- byl výrobek nesprávně opraven.
- byl výrobek opraven pomocí součástí od jiného výrobce nebo součástí, které nejsou výrobcem schváleny.
- má výrobek příslušenství od jiného výrobce nebo příslušenství, které není výrobcem schváleno.
- výrobek nebyl opraven ve schváleném servisním středisku nebo schváleným odborníkem.

## Poškození výrobku

Neneseme odpovědnost za poškození výrobku, pokud:

---

## Bezpečnost

---

### Definice týkající se bezpečnosti

Varování, upozornění a poznámky slouží jako upozornění na specifické důležité části návodu.



**VÝSTRAHA:** Používá se v případě nebezpečí úrazu nebo usmrcení obsluhy nebo okolních osob, pokud nejsou dodrženy pokyny uvedené v této příručce.



**VAROVÁNÍ:** Používá se v případě nebezpečí poškození výrobku, dalších materiálů či škod na majetku v blízkém okolí, pokud nejsou dodrženy pokyny uvedené v této příručce.

**Povšimněte si:** Používá se k poskytnutí dalších informací, které jsou nezbytné v dané situaci.

### Obecné bezpečnostní výstrahy pro elektrické nářadí



**VÝSTRAHA:** Pozorně si přečtěte všechna bezpečnostní upozornění a pokyny. Při nedodržení upozornění a pokynů může dojít k úrazu elektrickým proudem, požáru nebo vážnému poranění.

**Povšimněte si:** Uložte si veškerá upozornění a pokyny pro použití v budoucnu. Termín „elektrický nástroj“ v upozorněních označuje buď nástroj napájený ze sítě (kabelem), nebo napájený baterií (bezdrátový).

### Kontrola před startem

- Aby nemohlo dojít k nechtěnému spuštění výrobku, vždy vyjměte baterii. Před údržbou výrobku vždy vyjměte baterii.
- Před použitím výrobku a po každém nárazu zkontrolujte, zda nevykazuje známky opotřebení a v případě potřeby proveďte nutné opravy.

- Zkontrolujte pracovní prostor. Odstraňte veškeré volné předměty, jako jsou kameny, střepy, hřebíky, ocelové dráty, šňůry apod., které by mohly být odmrštěny nebo zachyceny sekacím zařízením nebo krytem sekacího zařízení.
- Zkontrolujte, zda není znečištěný motor, nebo zda na něm nejsou nějaké praskliny. Pomocí kartáče z motoru očistěte trávu a listí. V případě potřeby použijte rukavice.
- Zkontrolujte, zda je žací hlavice zcela připojená k vyžínači.
- Zkontrolujte, zda je výrobek v perfektním provozním stavu. Zkontrolujte, zda jsou všechny matice a šrouby dotaženy.
- Zkontrolujte strunovou hlavu a kryt vyžínače, zda nejsou poškozeny nebo nemají trhlinky. Vyměňte strunovou hlavu nebo kryt vyžínače, byli-li vystaveny úderu nebo mají-li trhlinky. Vždy používejte doporučený kryt pro řezací nástavec, který používáte. Viz kapitolu Technické údaje.
- Uživatel výrobku je povinen dohlédnout na to, aby se během práce nevyskytovaly v okruhu 15 metrů žádné osoby a zvířata. Pokud na stejném pracovišti pracuje více uživatelů, musí být udržována bezpečnostní vzdálenost nejméně 15 metrů.
- Před použitím důkladně zkontrolujte celý výrobek. Viz plán údržby.
- Použití může být upraveno národními nebo místními předpisy. Dodržujte příslušné předpisy.

### Bezpečnost pracovního prostoru

- **Udržujte pracovní prostor čistý a dobře osvětlený.** Přeplněné či tmavé prostory nahrávají nehodám.
- **Nepoužívejte elektrické nástroje ve výbušném prostředí, například v přítomnosti hořlavých kapalin, plynů či prachu.** Elektrické nástroje vytvářejí jiskry, které mohou zapálit prach nebo výpary.
- **Při práci s elektrickým nástrojem musí být děti i okolostojící osoby v dostatečné vzdálenosti.** Rozptýlení může způsobit, že ztratíte kontrolu nad nástrojem.

## Bezpečnost při používání el. energie

- **Zástrčky elektrických nástrojů musí odpovídat elektrické zásuvce. Nikdy zásuvku žádným způsobem neupravujte. U uzemněných elektrických nástrojů nepoužívejte žádné adaptéry.** Původní zástrčky a odpovídající zásuvky snižují nebezpečí úrazu elektrickým proudem.
- **Zabraňte tělesnému kontaktu s uzemněnými povrchy, např. trubkami, radiátory, sporáky a chladničkami.** Pokud je lidské tělo uzemněno, hrozí větší nebezpečí úrazu el. proudem.
- **Nevystavujte elektrické nástroje dešti nebo působení vlhkosti.** Pokud do elektrického nástroje vnikne voda, zvyšuje se nebezpečí úrazu elektrickým proudem.
- **Nezacházejte hrubě s napájecím kabelem. Nikdy elektrický nástroj nenoste za kabel. Za kabel netahejte a neodpojujte nástroj od sítě taháním za kabel.** Nevystavujte napájecí kabel působení tepla, oleje, nepoškoďte ho ostrými hranami nebo pohyblivými částmi. Poškozený nebo ohnutý kabel zvyšuje nebezpečí úrazu elektrickým proudem.
- **Při používání elektrického nástroje venku použijte prodlužovací kabel určený pro venkovní použití.** Použití kabelu určeného pro venkovní použití snižuje nebezpečí úrazu elektrickým proudem.
- **Pokud je nezbytné pracovat s el. nástrojem ve vlhkém prostředí, použijte zdroj s proudovým chráničem.** Použití proudového chrániče snižuje nebezpečí úrazu elektrickým proudem.

## Osobní bezpečnost

- **Při práci s elektrickým nástrojem dávejte pozor, sledujte, co děláte a používejte zdravý rozum. Nepracujte s elektrickým nástrojem, pokud jste unaveni nebo jste pod vlivem drog, alkoholu či léků.** Při práci s elektrickým nástrojem stačí okamžik nepozornosti a následkem může být vážný úraz.
- **Používejte osobní ochranné pomůcky. Vždy používejte ochranu zraku.** Ochranné vybavení, např. protiprachová maska, neklouzavá ochranná obuv, přilba nebo ochrana sluchu, použité správným způsobem snižují nebezpečí úrazu.
- **Zabraňte náhodnému spuštění. Před připojením k el. napájení nebo vložení baterií, zvednutím nebo nošením nástroje se přesvědčte, že je vypínač v poloze vypnuto.** Přenášením elektrických nástrojů s prstem na spoušti nebo zapnutých elektrických nástrojů nahráváte nehodám.
- **Před zapnutím el. nástroje vyjměte jakýkoli seřizovací klíč nebo klíč na matici.** Klíč ponechaný na rotující části el. nástroje může způsobit úraz.
- **Nenatahujte se příliš daleko. Neustále pevně stůjte a držte rovnováhu.** Budete tak mít lepší kontrolu nad nástrojem v neočekávaných situacích.
- **Noste vhodný oděv. Nenoste volné oblečení ani šperky. Udržujte vlasy a oděv mimo dosah pohyblivých částí.** Pohyblivé části mohou zachytit volný oděv, šperky nebo dlouhé vlasy.

- **Pokud jsou zařízení přizpůsobena pro připojení odsávačů a lapačů prachu, musí být připojeny a správně použity.** Použitím lapačů prachu snižujete rizika spojená s výskytem prachu.
- **Nedovoďte, aby rutina nabytá častým používáním nástrojů způsobila, že začnete být neopatrní a budete ignorovat bezpečnostní zásady při zacházení s nástrojem.** Neopatrný úkon může způsobit vážné zranění ve zlomku sekundy.
- **Emise vibrací během skutečného používání elektrického nástroje se mohou lišit od deklarované celkové hodnoty podle způsobu použití nástroje.** Uživatelé musí podniknout bezpečnostní opatření, která je ochrání, založená na odhadu rizik při skutečných podmínkách během používání (musí vzít v úvahu všechny části provozního cyklu, kromě zapínání např. také vypínání a běh stroje ve volnoběžných otáčkách).

## Použití elektrických nástrojů a péče o ně

- **Při práci s elektrickými nástroji nepoužívejte násill. Používejte správný elektrický nástroj pro danou aplikaci.** Správný elektrický nástroj vykoná práci lépe a bezpečněji rychleji, pro kterou byl navržen.
- **Nepoužívejte el. nástroj, pokud nefunguje vypínač pro zapnutí a vypnutí.** Každý elektrický nástroj, který nelze ovládat vypínačem, je nebezpečný a musí se opravit.
- **Před jakýmkoli nastavováním, výměnou příslušenství nebo uložení elektrického nástroje odpojte zástrčku od napájení nebo vytáhněte z nástroje baterie, pokud je to možné.** Takováto preventivní bezpečnostní opatření snižují riziko náhodného spuštění el. nástroje.
- **Nepoužívané el. nástroje ukládejte mimo dosah dětí a nedovoďte, aby s nástrojem pracovaly osoby, které ho dobře neznají nebo si nepřčetly tento návod k použití nástroje.** Elektrické nástroje jsou v rukou neproškolených uživatelů nebezpečné.
- **Udržujte elektrické nástroje a příslušenství. Kontrolujte chybné zarovnání nebo spojení pohyblivých částí, rozbítí jakýchkoli částí nebo jiné stavy, které mohou ovlivnit provoz elektrického nástroje. Pokud je elektrický nástroj poškozen, nechte ho opravit.** Mnohé nehody jsou způsobeny špatnou údržbou elektrických nástrojů.
- **Udržujte řezací nástroje ostré a čisté.** Správně udržované řezací nástroje s ostrým ostřím jsou méně náchylné k „zakousnutí“ a snadněji se ovládají.
- **Používejte elektrický nástroj, příslušenství a vsazené nože podle těchto pokynů. V úvahu je třeba brát pracovní podmínky a prováděnou práci.** Použitím elektrického nástroje k jinému účelu, než pro který je určen, může mít za následek vznik nebezpečné situace.
- **Rukojeti a uchopovací plochy udržujte suché, čisté a bez zbytků oleje a mазiva.** Kluzké rukojeti a uchopovací plochy neumožňují bezpečné ovládání

a v neočekávaných situacích může dojít ke ztrátě kontroly.

## Použití nástrojů napájených z baterie a péče o ně

- **Baterii dobíjejte pouze nabíječkou specifikovanou výrobcem.** Použití nabíječky vhodné pro jeden typ baterie může pro jiný typ baterie představovat nebezpečí vzniku požáru.
- **Výrobky používejte pouze s příslušnými speciálními bateriovými moduly.** Při použití jakékoli jiné baterie hrozí riziko úrazu a požáru.
- **Když baterii nepoužíváte, udržujte ji stranou od kovových předmětů, např. kancelářských sponek, mincí, klíčů, hřebků, šroubů nebo jiných malých kovových předmětů, které by mohly spojit kontakty baterie.** Při zkratování kontaktů baterie může dojít k popáleninám nebo k požáru.
- **V nevhodných podmínkách může dojít k vytečení kapaliny z baterie.** Vyvarujte se kontaktu s kapalinou. Pokud dojde k náhodnému kontaktu, opláchněte postižené místo vodou. Při zasažení očí kapalinou vyhledejte lékařskou pomoc. Kapalina vyteká z baterie může způsobit podráždění nebo popáleniny.
- **Nepoužívejte poškozenou nebo upravenou baterii nebo výrobek.** Poškozené nebo upravené baterie mohou vykazovat neočekávané chování vedoucí k požáru, výbuchu nebo nebezpečí poranění.
- **Nevystavuje baterii ani nástroj ohni a nadměrným teplotám.** Oheň nebo teploty nad 130 °C mohou vyvolat explozi.
- **Dodržujte veškeré pokyny k nabíjení a nenabíjejte baterii ani nástroj mimo rozsah teplot uvedený v pokynech.** Nesprávné nabíjení nebo nabíjení při teplotách mimo uvedený rozsah může mít za následek poškození baterie a zvýšené nebezpečí požáru.

## Servis

- **Servis elektrického nástroje smí provádět pouze kvalifikovaná osoba za použití identických náhradních součástí.** Tím bude zajištěna bezpečnost elektrického nástroje.
- **Nikdy neprovádějte servis poškozených baterií.** Servis baterií smí provádět pouze výrobce nebo autorizovaný servis.

## Vždy používejte zdravý rozum

Není možné zmínit všechny představitelné situace, se kterými se můžete setkat. Buďte stále opatrní a používejte zdravý rozum. Vyhněte se všem situacím, o kterých se domníváte, že jsou nad vaše možnosti. Pokud si ani po přečtení tohoto návodu nebudete jisti, jak stroj správně používat, než budete pokračovat v práci, obraťte se na odborníka.



**VÝSTRAHA:** Nenechte nikdy děti používat stroj nebo se zdržovat v jeho blízkosti. Jelikož lze zařízení snadno spustit, mohou jej spustit i děti, pokud nejsou celou dobu pod dozorem. Tím může dojít k nebezpečí vážného úrazu. Proto ze zařízení v době, kdy není plně pod dozorem, vždy vyjímajte baterii.

## Obecné bezpečnostní pokyny



**VÝSTRAHA:** Před použitím výrobku si přečtěte následující varování.

- Vyjměte baterii, aby nedošlo k nechtěnému spuštění výrobku.
- Při neopatrném nebo nesprávném použití se stává tento výrobek velmi nebezpečným nástrojem. Tento výrobek může způsobit obsluhu a dalším osobám vážné zranění.
- Pokud se změni původní specifikace výrobku, nepoužívejte ho. Bez schválení výrobcem nemějte žádné součásti výrobku. Používejte výhradně díly schválené výrobcem. Nesprávná údržba může mít za následek zranění nebo smrt.
- Před použitím výrobek zkontrolujte. Viz část *Kontrola před startem na strani 42* a *Před použitím výrobku na strani 48*. Nepoužívejte výrobek, který je poškozený nebo nefunguje správně. Dodržujte pokyny pro kontrolu, údržbu a servis popsané v této příručce.
- Děti by měly být pod dozorem, aby si s výrobkem nehrály. Výrobek ani baterii nikdy nedovolte používat dětem nebo osobám, které nejsou k jejich používání vyškoleny. Věk obsluhy může být upraven místními zákony.
- Skladujte výrobek na uzamčeném místě, aby se zamezilo přístupům dětí a neoprávněných osob.
- Výrobek uchovávejte mimo dosah dětí.
- Konstrukce produktu nesmí být za žádných okolností upravována bez svolení výrobce. Vždy používejte originální příslušenství. Nepovolené úpravy nebo příslušenství mohou vést k vážnému nebo smrtelnému zranění obsluhy nebo jiných osob.

**Povšimněte si:** Použití může být upraveno národními nebo místními předpisy. Dodržujte příslušné předpisy.

## Bezpečnostní pokyny pro provoz



**VÝSTRAHA:** Před použitím výrobku si přečtěte následující varování.

- **Stroj nepoužívejte při špatném počasí, zvlášť pokud hrozí riziko blesku.** Snížíte tak riziko zasažení bleskem.
- **Důkladně zkontrolujte, zda se v prostoru, kde chcete stroj používat, nenachází žádná zvířata.** Během provozu může dojít ke zranění divoké zvěře.
- **Důkladně zkontrolujte prostor, kde chcete stroj používat, a odstraňte kameny, klacky, dráty, kosti a další předměty.** Odmrštěné předměty mohou způsobit zranění.
- **Před použitím stroj vždy pečlivě prohlédněte a zkontrolujte, zda není poškozen zastříhovač nebo žací ústrojí.** Poškozené součásti zvyšují riziko poranění.
- **Ochranné kryty stroje musí být vždy připevněny. Ochranné kryty stroje musí být v pořádku a správně připevněny.** Pokud je ochranný kryt uvolněný, poškozený nebo nefunguje správně, může dojít ke zranění.
- **Všechny větrací otvory udržujte čisté.** Ucpané větrací otvory mohou způsobit přehřátí nebo požár.
- **Vždy používejte ochranu očí a sluchu.** Vhodné ochranné prostředky snižují riziko poranění.
- **Při manipulaci se strojem noste vždy ochrannou protiskluzovou obuv. Neprovazujte stroj naboso nebo v otevřených sandálech.** Tím snížíte riziko poranění nohou při kontaktu se sekacími zařízeními, když je stroj zapnutý.
- **Při manipulaci se strojem mějte vždy dlouhé kalhoty, které zcela zakryjí vaše nohy.** Při kontaktu s ostřím či žacími strunami, když je stroj zapnutý, může dojít ke zranění.
- **Během provozu zajistěte bezpečnou vzdálenost dalších osob od stroje.** Odmrštěné úlomky mohou způsobit vážné zranění.
- **Při práci držte stroj pod úrovní pasu.** Tím zabráníte nechtěnému kontaktu s ostřím a budete mít lepší kontrolu nad strojem v neočekávaných situacích.
- **Dbejte zvýšené opatnosti při manipulaci se strojem v mokré trávě. Stroj používejte za chůze, nikdy za běhu.** Snížíte tak riziko uklouznutí, pádu a možného úrazu.
- **Nepracujte se strojem na příliš strmých svazích.** Snížíte tak riziko ztráty kontroly, uklouznutí, pádu a možného úrazu.
- **Při práci na svazích dbejte na to, abyste stáli pevně, pohybovali se napříč svahem a nikdy ne do kopce nebo z kopce. Dbejte zvýšené opatnosti při změně směru.** Tak snížíte riziko ztráty kontroly uklouznutí, pádu a možného úrazu.
- **Udržujte všechny napájecí a jiné kabely mimo oblast sečení.** Napájecí a další kabely se mohou nacházet v plotě či křoví a mohlo by dojít k jejich náhodnému přeriznutí ostřím či žací strunou.
- **Všechny části těla udržujte mimo dosah zastříhovače nebo žací struny zapnuté sekačky. Stroj čistěte pouze po jeho odpojení od zdroje napájení.** Zastříhovač či žací struna mohou během provozu stroje způsobit vážné zranění.
- **Stroj přenášejte, pouze pokud je vypnutý a daleko od svého těla.** Správnou manipulací snížíte pravděpodobnost nechtěného kontaktu se zastříhovačem či žací strunou, když je stroj zapnutý.
- **Používejte pouze náhradní sekací hlavy a zastříhovače nebo žací struny určené výrobcem. Nenahrazujte zastříhovač a žací struny kovovými dráty či noži.** Nesprávné náhradní díly mohou způsobit ztrátu kontroly nad řízením, rozbití stroje a zranění.

## Osobní ochranné prostředky



**VÝSTRAHA:** Před použitím výrobku si přečtěte následující varování.

- Při použití výrobku je nutné vždy používat schválené osobní ochranné prostředky. Osobní ochranné prostředky nemohou zcela eliminovat nebezpečí úrazu, ale v případě nehody pomáhají snížit míru poranění. Požádejte prodejce, aby vám pomohl vybrat správné vybavení.
- Vždy používejte schválenou ochranu sluchu.

(Obr. 17)

- Vždy používejte schválenou ochranu očí. Použijete-li štít, je nutno použít i schválené ochranné brýle. Schválené ochranné brýle musí být v souladu s normou ANSI Z87.1 v USA nebo EN 166 v zemích EU.

(Obr. 18)

- Při určitých činnostech používejte rukavice, například při nasazování, prohlídce nebo čištění stříhacího zařízení.

(Obr. 19)

- Používejte ochrannou obuv s ocelovou špičkou a protiskluzovou podrážkou.

(Obr. 20)

- Noste oblečení vyrobené z pevné tkaniny. Vždy používejte silné, dlouhé kalhoty a dlouhé rukávy. Nepoužívejte volné oblečení, které se může zachytit o keře nebo větve. Nenoste šperky, krátké kalhoty nebo sandály. Nepracujte naboso. Stáhněte si vlasy bezpečně nahoru nad úroveň ramen.
- Mějte při ruce lékárníčku.

(Obr. 21)

## Bezpečnostní zařízení na produktu



**VÝSTRAHA:** Před použitím výrobku si přečtěte následující varování.

V této části je popsáno bezpečnostní vybavení výrobku, jeho účel a způsob provádění kontroly a údržby k zajištění správného provozu. Viz pokyny v části *Úvod na strani 41* pro informace o umístění těchto dílů na výrobku.

Životnost výrobku se může zkracovat a riziko úrazů zvyšovat, jestliže se údržba neprovádí správně anebo se opravy neprovádějí odborně. Pokud potřebujete další informace, obraťte se na nejbližší servisního prodejce.



**VÝSTRAHA:** Nikdy výrobek nepoužívejte s poškozenými bezpečnostními součástmi. Kontrolu a údržbu bezpečnostního vybavení výrobku je nutno provádět podle postupů uvedených v této části. V případě, že by výrobek nevyhověl při jakékoli z těchto kontrol, je nutno vyhledat autorizované servisní středisko a nechat závadu odstranit.



**VAROVÁNÍ:** Servis a opravy stroje vyžadují speciální odborné školení. To se zvláště týká servisu a oprav bezpečnostního zařízení stroje. V případě, že by stroj nevyhověl při některé z níže uvedených kontrol, je nutno vyhledat servisní opravnu. Každému zákazníkovi, který zakoupí kterýkoli z našich výrobků, zaručujeme dostupnost profesionálních oprav a servisních prací. Pokud prodejce, který vám stroj prodal, neposkytuje servisní práce, požádejte jej o adresu naší nejbližší servisní opravny.

#### Kontrola klávesnice

1. Stiskněte a podržte tlačítko pro spouštění/zastavení (A). (Obr. 22)
  - a) Výrobek je zapnutý, když svítí kontrolka LED (B).
  - b) Výrobek je vypnutý, když kontrolka LED (B) nesvítí.
2. Pokud svítí nebo bliká varovná kontrolka (C), řiďte se pokyny v části *Klávesnice na strani 52*.

#### Kontrola pojistky páčky spínače

Pojistka páčky spínače brání nechtěnému spuštění výrobku. Při stisknutí pojistky páčky spínače (A) se páčka spínače (B) uvolní. Při uvolnění rukojeti se páčka spínače a pojistka páčky spínače vrátí zpět do své původní polohy. (Obr. 23)

1. Je-li pojistka páčky spínače ve své původní poloze, ujistěte se, zda je páčka spínače zajištěna. (Obr. 24)
2. Stiskněte páčku spínače a zkontrolujte, zda se po uvolnění vrátí do své výchozí polohy. (Obr. 25)
3. Zkontrolujte, zda se páčka spínače a pojistka páčky spínače volně pohybují a zda vratná pružina funguje správně. (Obr. 26)
4. Nastartujte výrobek. Další informace jsou uvedeny v části *Spuštění výrobku na strani 49*.
5. Použijte plný výkon.

6. Uvolněte páčku spínače a zkontrolujte, zda se řezací nástavec zcela zastaví.

#### Kontrola krytu sekacího nástavce



**VÝSTRAHA:** Nepoužívejte sekací nástavec bez schváleného a správně upevněného krytu sekacího nástavce. Vždy používejte kryt sekacího nástavce doporučený pro instalovaný sekací nástavec, viz *Technické údaje na strani 53*. Používání nesprávného nebo vadného krytu sekacího nástavce může vést ke zranění osob.

Kryt sekacího nástavce brání vymrštění předmětů směrem k obsluze. Kryt sekacího nástavce také brání zraněním, ke kterým může dojít, pokud přijdete do kontaktu se sekacím nástavcem.

1. Zastavte motor.
2. Proveďte vizuální kontrolu ohledně poškození, například prasklin.
3. Poškozený kryt sekacího nástavce je nutné vyměnit.

#### Žací ústrojí

Výběrem správného řezacího zařízení a prováděním údržby řezacího zařízení:

- Dosáhnete nejlepších výsledků sečení.
- Zvýšíte životnost řezacího zařízení.



**VÝSTRAHA:** Používejte výhradně řezací nástavec spolu s námi doporučeným krytem! Viz *Technické údaje na strani 53*. Viz pokyny pro řezací nástavec, kde se uvádí správný způsob navijení výžinací struny a volby správného průměru výžinací struny.



**VÝSTRAHA:** Poškozený sekací nástavec zvyšuje nebezpečí úrazu.



**VÝSTRAHA:** Než přistoupíte k práci na sekacím nástavci, zastavte vždy motor. Otáčí se i po uvolnění plynu. Ujistěte se, že se sekací nástavec úplně zastavil, a odpojte koncovku kabelu zapalovací svíčky, než přistoupíte k práci s nástavcem.

#### Strunová hlava



**VÝSTRAHA:** Vždy se ujistěte, že je výžinací struna navinuta na cívce pevně a stejnoměrně, abyste zamezili škodlivým vibracím.

(Obr. 27)

- Používejte pouze doporučené strunové hlavy a vyžínací struny.
- Používejte výhradně doporučené sekací nástavce.
- Menší zařízení potřebují menší strunové hlavy a naopak.
- Důležitá je délka vyžínací struny. Delší vyžínací struna vyžaduje výkonnější motor než krátká struna stejného průměru.
- Dbejte na to, aby nůž na krytu vyžínače nebyl poškozen. Je určen k seřezávání vyžínací struny na správnou délku.
- Před použitím namočte vyžínací strunu na několik dní do vody. Prodloužíte tím její životnost.

## Bezpečnostní pokyny týkající se akumulátorů



**VÝSTRAHA:** Před použitím výrobku si přečtěte následující varování.

- Používejte pouze baterie řady BLi a 40-B. Podrobnosti najdete v části *Technické údaje na strani 53*. Baterie je softwarově zašifrována.
- Používejte pouze baterie řady BLi a 40-B, které jsou dobíjecí a vhodné jako zdroj napájení pro související výrobky Husqvarna. Abyste zabránili zranění, nepoužívejte baterii jako zdroj napájení pro jiná zařízení.
- Nebezpečí úrazu elektrickým proudem. Svorky baterie nepřipojujte ke klíčům, mincím, šroubkům nebo jiným kovovým předmětům. Může to způsobit zkrat baterie.
- Nepoužívejte baterie, které nejsou určené k dobíjení.
- Nevkládejte do větracích otvorů baterie žádné předměty.
- Chraňte baterii před sluncem, teplem nebo otevřeným ohněm. Baterie může způsobit popáleniny nebo chemické popáleniny.
- Chraňte baterii před deštěm a vlhkým prostředím.
- Chraňte baterii před mikrovlnami a vysokým tlakem.
- Baterii nikdy nerozebírejte nebo nerozbíjejte.
- Pokud baterie netěsní, kapalina nesmí přijít do styku s kůží a očima. Po styku s kapalinou omyjte zasaženou oblast velkým množstvím vody s mýdlem a vyhledejte lékařskou pomoc. Při zasažení očí kapalinou si je nemněte, ale vyplachujte je velkým množstvím vody po dobu minimálně 15 minut a vyhledejte lékařskou pomoc.
- Baterii používejte při teplotě -10 až 40 °C.
- Baterii ani nabíječku baterií nečistěte vodou. Viz část *Čištění výrobku, baterie a nabíječky baterií na strani 51*.
- Nepoužívejte vadnou nebo poškozenou baterii.
- Baterie uchovávejte mimo dosah kovových předmětů, jako jsou např. hřebíky, šrouby nebo šperky.

- Uchovávejte baterie mimo dosah dětí.

## Bezpečnostní pokyny pro nabíječku baterií



**VÝSTRAHA:** Před použitím výrobku si přečtěte následující varování.

- Pokud nejsou bezpečnostní pokyny dodržovány, hrozí nebezpečí úrazu elektrickým proudem nebo zkrat.
- Nepoužívejte nabíječku, která nebyla dodána s výrobkem. Při nabíjení náhradních baterií řady BLi a 40-B používejte výhradně nabíječky QC80 a 40-C80.
- Nabíječku baterií nerozebírejte.
- Nepoužívejte vadnou nebo poškozenou nabíječku baterií.
- Nabíječku nezvedejte pomocí napájecího kabelu. Když nabíječku baterií odpojíte z elektrické zásuvky, tahejte za zástrčku. Netahejte za napájecí kabel.
- Všechny kabely včetně prodlužovací udržujte mimo dosah vody, oleje a ostrých hran. Dejte pozor, aby se kabel nezachytil mezi předměty, například do dveří, za plot a podobně.
- Nabíječku nepoužívejte v blízkosti hořlavých nebo korozivních materiálů. Zkontrolujte, zda není nabíječka baterií poškozená. V případě, že zaznamenáte kouř nebo požár, vytáhněte zástrčku kabelu nabíječky baterií ze zásuvky.
- Baterii nabíjejte pouze uvnitř, a to v místech s dobrým prouděním vzduchu a mimo dosah slunečního světla. Nenabíjejte baterii venku. Nenabíjejte baterii ve vlhkém prostředí.
- Používejte nabíječku baterií pouze v místech, kde je teplota v rozsahu 5 až 40 °C. Nabíječku používejte v dobře větraném, suchém a bezprašném prostředí.
- Nevkládejte do chladicích otvorů nabíječky baterií žádné předměty.
- Nepřipojujte svorky nabíječky baterií ke kovovým předmětům, protože by mohlo dojít ke zkratování nabíječky.
- Používejte schválené a nepoškozené síťové zásuvky. Zkontrolujte, zda není šňůra nabíječky baterií poškozena. Pokud používáte prodlužovací kabely, zkontrolujte, zda nejsou poškozeny.
- V nabíječce nenabíjejte baterie, které nejsou dobíjecí.

## Bezpečnostní pokyny pro údržbu



**VÝSTRAHA:** Před prováděním údržby výrobku si přečtěte následující varování.

- Před prováděním údržby, kontroly nebo montáže výrobku vyjměte baterii.

- Obsluha smí provádět pouze takové údržbářské a servisní úkony, které jsou popsány v tomto návodu k používání. Před provedením údržby a servisu většího rozsahu se obraťte na servisního prodejce.
- Baterii ani nabíječku baterií nečistěte vodou. Silné čisticí prostředky mohou způsobit poškození plastových dílů.
- Pokud byste neprováděli údržbu, podstatně by se zkrátil životní cyklus výrobku a zvýšilo se nebezpečí nehod.
- K provádění servisu a oprav je nutné speciální školení, zejména co se týče bezpečnostních zařízení. Pokud není možné po provedení údržby schválit všechny kontroly uvedené v tomto návodu k používání, obraťte se na servisního prodejce. Garantujeme, že jsou pro váš výrobek k dispozici profesionální opravy a servis.
- Používejte pouze originální náhradní díly.

---

## Montáž

---

### Úvod



**VÝSTRAHA:** Než začnete montovat výrobek, přečtěte si pozorně kapitolu o bezpečnosti.

### Montáž ochranného krytu vyžínače

1. Umístěte ochranný kryt vyžínače na kryt motoru. (Obr. 28).
2. Namontujte šroub skrz kryt motoru a ochranný kryt vyžínače. (Obr. 29)
3. Dotáhněte šroub.

### Montáž strunové hlavy

1. Pootáčejte výstupním hřídelem, dokud jeden z otvorů v hnacím kotouči nezarovnáte s odpovídajícím otvorem v tělese ozubeného převodu.
2. Zasuňte pojistný čep do otvoru tak, aby zachytil hřídel.
3. Otočte strunovou hlavou proti směru hodinových ručiček. (Obr. 30)

### Montáž držadla ve tvaru „D“

1. Namontujte šroub do držadla ve tvaru „D“. (Obr. 31)

2. Připevněte držadlo ve tvaru „D“ k nástavci na hřídeli.
3. Utáhněte šrouby.
4. Nastavte držadlo ve tvaru „D“ do správné polohy. Další informace naleznete v části *Nastavení držadla ve tvaru „D“ a teleskopické hřídele na strani 49.*

### Montáž ramínka na ochranu rostlin

1. Namontujte ramínko na ochranu rostlin do otvorů na krytu motoru. (Obr. 32)
2. Zkontrolujte, zda se ramínko na ochranu rostlin může volně pohybovat dopředu a dozadu. (Obr. 33)

### Instalace nabíječky 40-C80 na stěnu



**VAROVÁNÍ:** K instalaci nabíječky baterií na stěnu nepoužívejte elektrický šroubovák. Elektrický šroubovák může nabíječku poškodit.

1. Upevněte nabíječku baterií na stěnu pomocí 2 šroubů (B). V případě potřeby použijte hmoždinky (A). (Obr. 34)
2. Namontujte krytky na 2 šrouby (C).
3. Připojte napájecí kabel k nabíječce baterií a zásuvce.

---

## Provoz

---

### Úvod



**VÝSTRAHA:** Než začnete s výrobkem pracovat, přečtěte si důkladně kapitolu o bezpečnosti.

### Před použitím výrobku

- Zkontrolujte pracovní oblast a obeznamte se s terénem. Zkontrolujte sklon povrchu a zjistěte, zda se zde vyskytují kameny, větve a jámy.
- Proveďte obecnou kontrolu výrobku.
- Proveďte bezpečnostní kontroly a postupy údržby a servisu, které jsou uvedeny v tomto návodu.
- Zkontrolujte, zda motor není znečištěný nebo zda na něm nejsou praskliny. Pomocí kartáče očistěte motor od trávy a listů. V případě potřeby použijte rukavice.
- Zkontrolujte, zda na strunové hlavě a krytu řezacího nástavce není poškození nebo praskliny. Vyměňte strunovou hlavu a kryt řezacího nástavce, pokud došlo k nárazu nebo jsou na nich praskliny.
- Zkontrolujte, zda jsou všechny zážítkové matice a šrouby dotažené.
- Před spuštěním výrobku zkontrolujte, zda jsou řádně připevněny všechny kryty, ochranné kryty, rukojeti a sekací zařízení a zda nejsou poškozeny.



## Baterie



**VÝSTRAHA:** Než začnete s baterií pracovat, přečtěte si důkladně kapitolu o bezpečnosti. Přečtěte si důkladně návod k používání baterie a nabíječky baterií.

Baterii i nabíječku skladujte za správné okolní teploty.

	Okolní teplota
Provoz baterie	5–40 °C

Kontrolka LED	Stav baterie (stav nabití)	
	BLI10, BLI20	40-B70, 40-B140
Svítil 4 kontrolky LED	Není k dispozici	Baterie je nabitá na 76–100 %.
Svítil 3 kontrolky LED	Baterie je nabitá na 76–100 %.	Baterie je nabitá na 51–75 %.
Svítil 2 kontrolky LED	Baterie je nabitá na 51–75 %.	Baterie je nabitá na 26–50 %.
Svítil 1 kontrolka LED	Baterie je nabitá na 26–50 %.	Baterie je nabitá na 6–25 %.
Bliká 1 kontrolka LED	Baterie je nabitá na 0–25 %.	Baterie je nabitá na 0–5 %.

## Nabití baterie

Před prvním použitím baterii nabijte. Nová baterie je nabitá pouze na 30 %.



**VAROVÁNÍ:** Nabíječku baterií zapojte do zásuvky s hodnotami napětí a frekvence, které jsou uvedené na typovém štítku.

Baterie se nenabíjí, pokud je teplota baterie vyšší než 50 °C.

1. Připojte k nabíječce baterií napájecí kabel.
2. Zapojte nabíječku baterií do uzemněné zásuvky. Kontrolka LED nabíjení jednou blikne. (Obr. 36)
3. Připojte baterii k nabíječce baterií. Rozsvítí se kontrolka LED dobíjení. Baterii nabíjejte maximálně po dobu 24 hodin. (Obr. 37)
4. Stiskněte tlačítko ukazatele stavu baterie. Pokud se rozsvítí všechny kontrolky LED, baterie je plně nabitá.
5. Vytažením napájecí zástrčky odpojte nabíječku baterií z elektrické zásuvky. Netahejte za napájecí kabel.
6. Vyjměte baterii z nabíječky.

## Instalace baterie do výrobku



**VÝSTRAHA:** U výrobku používejte pouze původní baterii Husqvarna.

1. Baterii plně nabijte.

	Okolní teplota
Nabíjení baterie	5–40 °C

## Stav baterie

Displej ukazuje stav nabití a zda došlo k problémům s baterií.

(Obr. 35)

2. Zatlačte baterii do držáku baterie výrobku. Baterie je zajištěná na místě, jakmile uslyšíte cvaknutí. (Obr. 38)



**VAROVÁNÍ:** Pokud nelze baterii snadno zasunout do držáku baterie, baterie je špatně vložená. Můžete tím výrobek poškodit.

## Spuštění výrobku

1. Stiskněte a podržte vypínač, dokud se nerozsvítí zelená kontrolka LED. (Obr. 39)
2. Stiskněte pojistku páčky spínače a páčku spínače. Sekací zařízení se začne otáčet.

## Nastavení držadla ve tvaru „D“ a teleskopické hřídele

1. Povolte pojistnou rukojeť a nastavte rukojeť ve tvaru „D“ do správné polohy. (Obr. 40)
2. Zajistěte pojistnou rukojeť.
3. Povolte páku na hřídeli. (Obr. 41)
4. Nastavte hřídel na potřebnou délku. Ujistěte se, že vidíte trojúhelník na hřídeli. (Obr. 42)
5. Zavřete páku a utáhněte šroub.

**Povšimněte si:** Nepřipevňujte držadlo ve tvaru „D“ na výstražné štítky na hřídeli.

## Použití funkce SavE

Tento výrobek je vybaven funkcí SavE, která snižuje spotřebu energie.

**Povšimněte si:** Funkce SavE nesnižuje řezný výkon výrobku.

1. Stiskněte tlačítko SavE na klávesnici.
2. Zkontrolujte, zda se rozsvítí zelená kontrolka LED.
3. Opětovným stiskem tlačítka SavE funkci vypnete. Zelená kontrolka LED zhasne. (Obr. 43)

## Funkce automatického vypnutí

Výrobek je vybaven funkcí vypnutí, která zastaví výrobek, pokud není používán. Zelená kontrolka LED pro spuštění/zastavení zhasne a výrobek se po 180 sekundách vypne.

## Obsluha výrobku

### Vyžínání trávy

1. Držte strunovou hlavu těsně nad úrovní terénu a pod úhlem. Netlačte vyžínací strunu do trávy. (Obr. 44)
2. Zkraťte délku vyžínací struny o 10–12 cm (4–4,75 palce).
3. Snižte otáčky motoru, abyste snížili nebezpečí poškození rostlin.
4. Když sečete trávu v blízkosti předmětů, použijte plyn na 80 %. (Obr. 45)

### Odstranění travního porostu

1. Udržujte strunovou hlavu nad zemí.
2. Nakloňte strunovou hlavu.
3. Sekejte koncem vyžínací struny okolo předmětů v pracovní oblasti.



**VAROVÁNÍ:** Posečte trávu. Při nárazu vyžínací struny do jiných předmětů se zvyšuje opotřebení struny.

## Sečení trávy

1. Zajistěte, aby při sečení trávy byla vyžínací struna rovnoběžně se zemí. (Obr. 46)
2. Netlačte hlavu vyžínáče k zemi. Můžete tím výrobek poškodit.
3. Při sečení trávy pohybujte výrobkem ze strany na stranu. Používejte plné otáčky. (Obr. 47)

## Odstranění trávy

Proud vzduchu z otáčející vyžínací struny lze použít k odstranění trávy z oblastí.

1. Udržujte strunovou hlavu a vyžínací strunu rovnoběžně se zemí a nad povrchem.
2. Přidejte plný plyn.
3. Pohybujte strunovou hlavou ze strany na stranu a odstraňte tak trávu.



**VÝSTRAHA:** Vyčistěte kryt strunové hlavy po každé montáži nové vyžínací struny, aby se eliminovalo nevyvážení a zabránilo vibracím v rukojetích. Proveďte také kontrolu ostatních dílů strunové hlavy a v případě potřeby ji vyčistěte.

## Zastavení výrobku

1. Uvolněte páčku spínače a pojistku páčky spínače.
2. Stiskněte vypínač, dokud zelená kontrolka LED nezhasne.
3. Stiskněte uvolňovací tlačítka na baterii a vyjměte baterii z výrobku. (Obr. 48)

## Výměna vyžínací struny

Viz poslední strana tohoto návodu k používání.

# Údržba

## Úvod



**VÝSTRAHA:** Než začnete na výrobku provádět údržbu, přečtěte si pozorně kapitolu o bezpečnosti.

## Plán údržby



**VÝSTRAHA:** Před prováděním údržby vyjměte baterii.

Níže je uveden seznam kroků údržby, které musíte provést na výrobku. Více informací naleznete v části *Údržba na strani 50*.

Údržba	Denně	Týdně	Měsíčně
Očistěte vnější povrch výrobku suchým hadříkem. Nepoužívejte vodu.	X		
Zkontrolujte, zda tlačítko pro spuštění a zastavení funguje a není poškozené.	X		
Zkontrolujte správnou funkci páčky spínače a pojistky páčky spínače z hlediska bezpečnosti.	X		
Zkontrolujte, zda fungují všechny ovládací prvky a zda nejsou poškozené.	X		
Udržujte rukojeti suché, čisté a bez zbytků oleje a maziva.	X		
Zkontrolujte, zda není sekací nástavec poškozený. Poškozený sekací nástavec je nutné vyměnit.	X		
Zkontrolujte, zda není kryt sekacího nástavce poškozený. Poškozený kryt řezačícího nástavce je nutné vyměnit.	X		
Zkontrolujte, zda jsou šrouby a matice dotažené.	X		
Zkontrolujte, zda fungují tlačítka pro uvolnění baterie na baterii a zda drží baterii ve výrobku.	X		
Zkontrolujte, zda není poškozená nabíječka baterií a zda funguje správně.	X		
Zkontrolujte, zda není baterie poškozená.	X		
Zkontrolujte, zda je baterie nabitá.	X		
Zkontrolujte, zda není nabíječka baterií poškozená.	X		
Zkontrolujte všechny kabely, spojky a konektory. Zkontrolujte, zda nejsou poškozené a znečištěné.		X	
Zkontrolujte spojení mezi baterií a výrobkem. Zkontrolujte spojení mezi baterií a nabíječkou baterií.			X

## Kontrola baterie a nabíječky baterií

1. Zkontrolujte, zda baterie nevykazuje příznaky poškození, např. praskliny.
2. Zkontrolujte, zda nabíječka baterií nevykazuje příznaky poškození, např. praskliny.
3. Zkontrolujte, zda není propojovací kabel nabíječky baterií poškozený a zda na něm nejsou praskliny.

## Čištění výrobku, baterie a nabíječky baterií

1. Po použití vyčistěte výrobek suchou utěrkou.
2. Vyčistěte baterii a nabíječku baterií suchou utěrkou. Udržujte v čistotě vodicí kolejničky baterie.

3. Před vložením baterie do nabíječky baterií nebo výrobku zkontrolujte, zda jsou svorky na baterii a nabíječce baterií čisté.

## Kontrola a výměna strunové hlavy

1. Zkontrolujte, zda není strunová hlava poškozená nebo naprasklá.
2. Vytáhněte sestavu žlábků vyžínací struny.
3. Demontujte strunovou hlavu. (Obr. 49)
4. Žací hlavici vyměňte.
5. Smontujte strunovou hlavu. Další informace jsou uvedeny v části *Montáž strunové hlavy na straně 48*.

## Odstraňování problémů

### Klávesnice

Obrazovka LED	Možné závady	Možná řešení
Chybová kontrolka LED bliká.	Přetížení	Sekací nástavec se nemůže volně pohybovat. Uvolněte řezací nástavec.
	Odchylka teploty	Nechte výrobek vychladnout.
Výrobek nespouští.	Stiskněte páčku spínače a současně stiskněte tlačítko spouštění.	Zastavte výrobek uvolněním páčky spínače.
Chybová kontrolka LED se rozsvítí červeně.	U výrobku je nezbytné provést servis.	Obraťte se na servisního prodejce.

### Baterie

LED displej	Možné závady	Možná akce
Zelená kontrolka LED bliká.	Nízké napětí baterie.	Nabijte baterii.
Chybová kontrolka LED bliká.	Odchylka teploty.	Baterii používejte při teplotě -10 až 40°C (14 až 104°F).
	Příliš vysoké napětí.	Zkontrolujte, zda napětí elektrické sítě odpovídá hodnotě uvedené na typovém štítku výrobku. Vyměňte baterii z nabíječky.
Chybová kontrolka LED svítí.	Příliš velký rozdíl napětí článků (1 V).	Obraťte se na servisního prodejce.

### Nabíječka baterií

Problém	Možné závady	Možné řešení
Kontrolka LED dobíjení svítí červeně.	Trvalá chyba nabíječky baterií.	Obraťte se na svého prodejce.
Kontrolka LED dobíjení bliká zeleně.	Teplotní odchylka – baterie je příliš studená nebo příliš horká pro použití nebo nabíjení.	Nechte baterii vychladnout nebo zahřát. Když má baterie správnou teplotu, lze ji znovu použít nebo nabít. Nabíječku baterií používejte při okolních teplotách v rozsahu 5 až 40 °C.
Kontrolka LED dobíjení bliká červeně.	Vadná baterie.	Obraťte se na svého prodejce.

---

## Přeprava, skladování a likvidace

---

### Přeprava a skladování

- Dodané Li-ion baterie podléhají požadavkům legislativy o nebezpečném zboží.
- Dodržujte zvláštní požadavky uvedené na obalu a označení pro komerční přepravu, platí i pro třetí strany a dopravce.
- Než odešlete výrobek, promluvte si s osobou speciálně vyškolenou ohledně manipulace s nebezpečnými materiály. Dodržujte platné národní předpisy.
- Před vložením baterie do obalu zalepte rozpojené kontakty páskou. Vložte baterii do obalu a zajistěte ji proti pohybu.
- Před přepravou nebo uskladněním vyjměte baterii.
- Uložte baterii a nabíječku baterií na místo, které je suché a chráněné před vlhkostí a mrazem.
- Neskladujte baterii v místech, kde může docházet k výbojům statické elektřiny. Neskladujte baterii v kovovém obalu.
- Baterii skladujte na místě, kde je teplota v rozsahu 5 až 25 °C (41 až 77 °F) a mimo přímé sluneční světlo.
- Nabíječku baterií skladujte na místě, kde je teplota v rozsahu 5 až 45 °C (41 až 113 °F) a mimo přímé sluneční světlo.
- Nabíječku baterií používejte pouze při okolních teplotách v rozsahu 5 až 40 °C (41 až 104 °F).

- Před dlouhodobým uskladněním se ujistěte, že je baterie nabitá na 30 až 50 %.
- Uložte baterii a nabíječku baterií do uzavřené a suché místnosti.
- Skladujte baterii mimo nabíječku baterií. Nedovolte, aby se děti nebo neoprávněné osoby dotýkaly zařízení. Uchovávejte zařízení na místě, které lze uzamknout.
- Před dlouhodobým skladováním výrobku jej vyčistěte a proveďte kompletní údržbu.
- Před přepravou a uskladněním umístěte na výrobek přepravní kryt pro prevenci zranění a poškození.
- Během přepravy musí být výrobek bezpečně upevněný.

### Likvidace baterie, nabíječky baterií a výrobku

Symbols na produktu nebo obalu znamenají, že tento produkt není domácí odpad. Odevzdejte jej ve stanici pro recyklaci elektrických a elektronických zařízení. To pomůže eliminovat nebezpečí poškození životního prostředí a zdraví osob.

Další informace o možnostech recyklace vašeho produktu získáte od místních úřadů, služby svozu domovního odpadu nebo prodejce.

---

## Technické údaje

---

### Technické údaje

	<b>215iL</b>
<b>Motor</b>	
Typ motoru	BLDC
Otáčky výstupního hřídele, ot/min	6800
Šířka sečení, mm	310
<b>Hmotnost</b>	
Hmotnost bez baterie, kg	2,9
<b>Emise hluku <sup>7</sup></b>	
Hladina akustického výkonu, změřená dB (A)	90,5
Hladina akustického výkonu, zaručená L <sub>WA</sub> dB (A)	92

<sup>7</sup> Emise hluku do okolního prostředí měřené jako akustický výkon (L<sub>WA</sub>) v souladu se směrnicí 2000/14/ES. Rozdíl mezi garantovaným a měřeným akustickým výkonem je v tom, že garantovaný akustický výkon rovněž zahrnuje rozptýl výsledků měření a rozdíly mezi různými výrobky téhož modelu podle Směrnice 2000/14/ES.

	<b>215iL</b>
<b>Hladiny hluku<sup>8</sup></b>	
Ekvivalentní hladina akustického tlaku v úrovni uší obsluhy, změřená podle EN ISO 50636-2-91, dB (A)	74,9
<b>Úrovně vibrací<sup>9</sup></b>	
Úrovně vibrací na rukojeti, měřeno dle normy EN 50636-2-91, m/s <sup>2</sup>	4,5 / 2,7
Vybaveno strunovou hlavou (originální), vpředu/vzadu	

### Baterie schválené pro výrobek

Baterie	BLi10		BLi20		40-B70	40-B140
Typ	Lithium-iontová		Lithium-iontová		Lithium-iontová	Lithium-iontová
Kapacita baterie, Ah	Viz typový štítek baterie		Viz typový štítek baterie		Viz typový štítek baterie	Viz typový štítek baterie
Jmenovité napětí, V	36	36,5	36	36,5	36	36
Hmotnost, kg	0,7	0,7	1,2	1,2	0,8	1,25

### Nabíječky baterií schválené pro výrobek

Nabíječka baterií	QC80	40-C80
Síťové napětí, V	100–240	100–240
Frekvence, Hz	50–60	50–60
Výkon, W	100	72
Výstupní napětí, V DC/ ampéry, A	36/2	43/1,6

---

## Příslušenství

---

### Schválené příslušenství

Schválené příslušenství	Typ	Kryt řezacího nástavce, obj. č.
Strunová hlava	R25B (struna Ø 2 mm)	529 96 69-01

<sup>8</sup> Uváděná data pro ekvivalentní hladinu akustického tlaku pro produkt mají typickou statistickou odchylku (standardní odchylku) 2,5 dB (A).

<sup>9</sup> Uváděná data o úrovni vibrací mají typickou statistickou odchylku (standardní odchylku) 1,5 m/s<sup>2</sup>.

# Prohlášení o shodě

## Prohlášení o shodě EU

Společnost **Husqvarna AB**, SE-561 82 Huskvarna,  
Švédsko, tel.: +46-36-146500, na svou výhradní  
odpovědnost prohlašuje, že výrobek:

<b>Popis</b>	Akumulátorový vyžínač
<b>Značka</b>	Husqvarna
<b>Typ/Model</b>	215iL
<b>Identifikace</b>	Výrobní čísla od roku 2024 a dále

je zcela ve shodě s následujícími směrnici a předpisy  
EU:

<b>Směrnice/nářízení</b>	<b>Popis</b>
2006/42/ES	„o strojních zařízeních“
2014/30/EU	„o elektromagnetické kompatibilitě“
2000/14/ES	„týkající se emisí hluku do okolního prostředí“
2011/65/EU	„o omezení používání některých nebezpečných látek v elektrických a elektronických zařízeních“

a že byly použity následující normy nebo  
technické specifikace: EN 60335-1:2012/A15:2021,  
EN 50636-2-91:2014, EN IEC 63000:2018, EN IEC  
55014-1-1:2021; EN IEC 55014-2:2021.

Oznámený subjekt: 0197 TÜV Rheinland LGA Products  
GmbH, Tillystraße 2, 90431 Nürnberg, Germany obdržel  
osvědčení o shodě se směrnicí rady 2000/14/ES, postup  
posouzení shody: Dodatek VI.

Informace o emisích hluku najdete v části *Technické  
údaje na straně 53*.

Huskvarna, 2024-02-01



Claes Losdal, manažer výzkumu a vývoje, Husqvarna  
AB

Osoba odpovědná za technickou dokumentaci



## Indhold

Indledning.....	56	Fejlfinding.....	66
Sikkerhed.....	57	Transport, opbevaring og bortskaffelse.....	67
Montering.....	63	Tekniske data.....	68
Drift.....	63	Tilbehør.....	69
Vedligeholdelse.....	65	Overensstemmelseserklæring.....	70

## Indledning

### Produktbeskrivelse

Husqvarna 215iL er en batteridrevet plænetrimmer med elektrisk motor.

Der arbejdes konstant på at øge din sikkerhed og effektivitet under betjening. Spørg en serviceforhandler for at få yderligere oplysninger.

### Anvendelsesformål

Produktet anvendes sammen med ikke-metalliske trimmertråde, ikke-metalliske snore eller tilsvarende

### Produktoversigt

(Fig. 1)

1. Trimmerhoved
2. Skæreudstyrsskærm
3. Aksel
4. Justering af aksel (teleskop)
5. Loophåndtag
6. Tastatur
7. Tastaturets advarselsindikator
8. Start/stop-knap
9. SavE-knap
10. Strømdløser
11. Strømdløserlås
12. Tænd og advarselsindikator
13. Stik
14. Batterioplader 40-C80
15. Batterioplader QC80
16. Strømkabel
17. Blomsterbeskyttelse
18. Batteriets advarselsindikator
19. Batteristatus
20. Batteriindikator-knap
21. Knapper til udløsning af batteri
22. Batteri
23. Kombinationsværktøj
24. Brugervejledning

### Symboler på produktet

(Fig. 2) **ADVARSEL:** Dette produkt kan være farligt og forårsage alvorlig personskade eller død for operatøren eller andre. Vær forsigtig, og brug produktet korrekt.

(Fig. 3) Læs brugervejledningen omhyggeligt igennem, og sørg for at have forstået instruktionerne, inden du bruger produktet.

ikke-metalliske fleksible skæreelementer. Brug ikke produktet til andre opgaver end til at skære ukrudt, græs eller lignende blød vegetation.

**Bemærk:** National lovgivning kan definere begrænsninger på betjeningen af produktet.

(Fig. 4) Benyt øjenværn.

(Fig. 5) Må ikke udsættes for regn.

(Fig. 6) Støjemission i overensstemmelse med miljømærket i henhold til EU (herunder New South Wales-lovgivning) samt britiske direktiver og forordninger. Data om støjemission findes på maskinens mærkat og i kapitlet Tekniske data.

(Fig. 7) Hold omkringstående væk fra produktet.

(Fig. 8) Frakobl batteriet før vedligeholdelse.

(Fig. 9) Produktet og produktemballagen er ikke almindeligt husholdningsaffald. Aflever det på en genbrugsstation til elektrisk og elektronisk udstyr.

(Fig. 10) Produktet er i overensstemmelse med gældende EU-direktiver.

(Fig. 11) Produktet er i overensstemmelse med gældende UK-bestemmelser.

(Fig. 12) Jævnstrøm.

yyyywwxxxx

Typeskiltet eller laserskriften viser serienummeret. **yyyy** er produktionsåret, og **ww** er produktionsugen.



## Symboler på batteriet og/eller på batteriopladeren

(Fig. 16) Aflever produktet på en genbrugsstation for elektrisk og elektronisk udstyr. (Gælder kun Europa)

(Fig. 13) Fejlsikker transformere.

(Fig. 14) Brug og opbevar kun batteriopladeren indendørs.

(Fig. 15) Dobbelt isolering.

## Skader på produktet

Vi er ikke ansvarlige for skader på vores produkt, hvis:

- produktet er forkert repareret.
- produktet er repareret med dele, der ikke er fra producenten eller ikke er godkendt af producenten
- produktet har tilbehør, der ikke er fra producenten eller ikke er godkendt af producenten.
- produktet ikke er repareret på et godkendt servicecenter eller af en godkendt myndighed.

## Sikkerhed

### Sikkerhedsdefinitioner

Advarsler, forholdsregler og bemærkninger bruges til at pege på særligt vigtige dele af brugsanvisningen.



**ADVARSEL:** Bruges, hvis føreren udsætter sig selv eller omkringstående personer for risiko for personskade eller dødsfald ved tilsidesættelse af instruktionerne i brugsanvisningen.



**BEMÆRK:** Bruges, hvis der er risiko for skader på produktet, andre materialer eller det omgivende område ved tilsidesættelse af instruktionerne i brugsanvisningen.

**Bemærk:** Bruges til at give yderligere oplysninger, der er nødvendige i en given situation.

### Generelle sikkerhedsadvarsler om elektrisk værktøj



**ADVARSEL:** Læs alle sikkerhedsadvarsler og instruktioner. Hvis man ignorerer advarsler og anvisninger, kan det medføre elektrisk stød, brand og/eller alvorlig tilskadekomst.

**Bemærk:** Opbevar alle advarsler og instruktioner til senere brug. Betegnelsen "elværktøj" i advarslerne henviser til dit værktøj, som drives af strøm fra elektricitetsnettet (med ledning) eller fra batteri (ledningsfrit).

### Kontrol før start

- Batteriet skal altid udtages for at forhindre, at produktet starter utilsigtet. Batteriet skal altid udtages, før produktet vedligeholdes.

- Før brug af produktet og efter stød eller tab, skal maskinen kontrolleres for slitage og skader og om nødvendigt repareres.
- Kontrollér arbejdsområdet. Fjern alle løse genstande som for eksempel sten, knust glas, søm, ståltråd, snor og lignende, som kan slynges ud eller sno sig ind i klingene eller klingeskærmen.
- Kontrollér motoren for snavs og revnedannelse. Rengør motoren for græs og blade med en børste. Handsker skal benyttes, når det er nødvendigt.
- Kontrollér, at trimmerhovedet er sikkert påsat trimmeren.
- Kontrollér produktet, så det er i optimal stand. Kontrollér, at alle møtrikker og bolte er spændt.
- Kontrollér, at trimmerhovedet og trimmerskærmen er intakte og fri for revner. Udskift trimmerhovedet eller trimmerskærmen, hvis de har været udsat for slag eller er revnet. Brug altid den anbefalede skærm for det pågældende skæredstyr. Se kapitlet Tekniske data.
- Brugeren af produktet skal sørge for, at ingen mennesker eller dyr kommer nærmere end 15 meter under arbejdet. Hvis flere brugere arbejder i det samme område, skal sikkerhedsafstanden være mindst 15 meter.
- Udfør en generel inspektion af produktet før brug. Se vedligeholdelseskemaet.
- Nationale eller lokale bestemmelser kan regulere brugen. Overhold de gældende bestemmelser.

### Sikkerhed i arbejdsområdet

- **Hold arbejdsområdet rent og godt oplyst.** Rodede eller mørke områder er en invitation til ulykker.
- **Betjen ikke elværktøj i områder med eksplosionsfare som f.eks. i nærheden af brændbare væsker, luftarter eller støv.** Elværktøj danner gnister, som kan antænde støv eller dampe.
- **Hold børn og tilskuere borte, mens elværktøjet betjenes.** Distraction kan få dig til at miste styringen.

## Elektrisk sikkerhed

- **Stikket på elværktøjet skal passe til stikkontakten. Man må aldrig ændre på stikket. Benyt ikke adapterstik i forbindelse med jordet elværktøj.** Uændrede stik og passende stikkontakter reducerer risikoen for elektrisk stød.
- **Undgå kropskontakt med jordede genstande som f.eks. rør, radiatorer, komfurer og køleskabe.** Der er øget risiko for elektrisk stød, hvis din krop har forbindelse til jord.
- **Udsæt ikke elværktøj for regn eller våde omgivelser.** Vand, som trænger ind i et elværktøj, forøger risikoen for elektrisk stød.
- **Behandl kablet forsigtigt. Benyt aldrig kablet til at bære eller trække i elværktøjet eller til at trække stikket ud. Hold ledningen væk fra varme, olie, skarpe kanter eller bevægelige dele.** Beskadigede eller filtrerede kabler forøger risikoen for elektrisk stød.
- **Når man anvender et elværktøj udendørs, skal man bruge en forlængerledning, der er egnet til udendørs brug.** Brug af en ledning, der er egnet til udendørs brug, reducerer risikoen for elektrisk stød.
- **Hvis ikke man kan undgå at anvende et elværktøj på fugtige steder, skal man anvende et stik, der er beskyttet af en fejlstrømsafbryder.** Brug af et kabel med fejlstrømsafbryder nedsætter risikoen for elektrisk stød.

## Personlig sikkerhed

- **Vær altid opmærksom, hold øje med, hvad du foretager dig, og benyt sund fornuft, når du betjener elværktøj. Benyt ikke elværktøj, hvis du er træt eller er påvirket af narkotika, alkohol eller medicin.** Et øjeblik uopmærksomhed under betjening af elværktøj kan resultere i alvorlig personskade.
- **Bær personligt beskyttelsesudstyr. Brug altid beskyttelsesbriller.** Beskyttelsesudstyr som støvmaske, skridsikre sikkerhedssko, beskyttelseshjelm eller høreværn, som benyttes til de relevante formål vil nedsætte risikoen for personskade.
- **Sørg for at forhindre uønsket start af værktøjet. Sørg for, at kontakten er i frakoblet position, før du tilslutter produktet til strømkilden og/eller batterienheden, samt når du tager eller bærer produktet.** At bære elværktøj med fingeren på kontakten eller at sætte strøm til elværktøj med tændt kontakt er en invitation til ulykker.
- **Fjern alle indstillingsnøgler eller tænger, før elværktøjet tændes.** En tang eller nøgle, der efterlades på en roterende del af elværktøjet, kan forårsage personskade.
- **Stræk dig ikke for langt. Sørg for altid at have godt fodfæste og god balance.** Det sikrer bedre kontrol med elværktøjet i uventede situationer.
- **Bær det korrekte tøj. Undgå at bære løstsiddende tøj eller smykker. Hold hår og tøj væk fra bevægelige dele.** Løst tøj, smykker eller langt hår kan blive fanget af bevægelige dele.

- **Hvis der forefindes udstyr til støvudsugning og -opsamling, skal du sikre, at det er tilsluttet, og at det bruges korrekt.** Brug af støvopsamling kan nedbringe støvrelaterede farer.
- **Lad ikke erfaringen fra tidligere brug af værktøjer gøre dig eftergivende, så du ignorerer sikkerhedsprincipperne for værktøj.** En uforsigtig handling kan give alvorlige skader på en brøkdæl af et sekund.
- **Vibrationerne under brug af elværktøjet kan være anderledes end den angivne samlede vibrationsværdi, afhængigt af den måde værktøjet anvendes på. Operatøren bør identificere sikkerhedsforanstaltninger, der er baseret på en vurdering af vibrationerne under de faktiske brugsforhold (der tager hensyn til alle dele af drifts cyklussen, som f.eks. når værktøjet er slukket, og når det kører i tomgang), for at beskytte sig selv.**

## Brug og pleje af elværktøj

- **Brug ikke magt ved brug af elværktøjet. Brug det korrekte elværktøj til din opgave.** Det korrekte elværktøj udfører arbejdet bedre og mere sikkert ved den norm, som det er konstrueret til.
- **Benyt ikke elværktøjet, hvis kontakten ikke kan slå til og fra.** Ethvert stykke elværktøj, som ikke kan styres med kontakten, er farligt og skal repareres.
- **Tag stikket ud af stikkontakten og/eller fjern batterienheden, hvis den kan tages ud, fra elværktøjet, før du foretager justeringer, skifter tilbehør eller sætter det til opbevaring.** Denne form for forebyggende sikkerhedsforanstaltninger nedsætter risikoen for, at elværktøjet startes ved et uheld.
- **Opbevar elværktøj der ikke er i brug uden for børns rækkevidde og lad ikke personer, der ikke er bekendt med elværktøjet eller disse instruktioner, betjene elværktøjet.** Elværktøj er farligt i hænderne på utrænede brugere.
- **Vedligeholdelse af ældre redskaber og tilbehør. Kontroller, om bevægende dele sidder forkert eller binder, om dele er ødelagt og enhver anden tilstand, som kan påvirke elværktøjets funktion. Hvis elværktøjet er beskadiget, skal det repareres, før det bruges igen.** Mange ulykker skyldes dårligt vedligeholdt elværktøj.
- **Hold skæreprodukter skarpe og rene.** Korrekt vedligeholdte skæreprodukter med skarpe klinger er mindre tilbøjelige til at binde og er lettere at styre.
- **Benyt elværktøj, tilbehør, værktøjsbits osv. i overensstemmelse med disse instruktioner og tag højde for arbejdsforholdene og det arbejde, der skal udføres.** Hvis man bruger det ældre produkt til andre formål end de tiltænkte, kan det medføre farlige situationer.
- **Hold håndtag og gribeblader tørre, rene og frie for olie og fedt.** Glatte håndtag og gribeblader muliggør ikke sikker håndtering og kontrol af værktøjet i uventede situationer.

## Brug og pleje af batteriredskaber

- **Genoplad kun med den oplader, som producenten foreskriver.** En oplader, der egner sig til en bestemt type batteripakke, kan medføre risiko for brand, hvis den benyttes sammen med en anden batteripakke.
- **Brug kun produkter sammen med de batterienheder, der er beregnet specifikt til dem.** Brug af andre batterienheder medfører risiko for skader og brand.
- **Når batteripakken ikke anvendes, skal du holde den væk fra andre metalgenstande, såsom papir, clips, mønter, nøgler, søm, skruer eller andre små metalgenstande, der kan kortslutte poleme.** Kortslutning af batteripolerne kan forårsage forbrændinger eller brand.
- **Under ugunstige forhold kan der sprøjte væske ud fra batteriet, undgå kontakt. Hvis væsken alligevel berøres, skal der skylles med vand. Hvis du får væske i øjnene, skal du søge læge.** Væske, der siver ud fra batteriet, kan medføre irritation eller forbrænding.
- **Brug ikke en batteripakke eller et værktøj, som er beskadiget eller modificeret.** Beskadigede eller modificerede batterier kan opføre sig uforudsigeligt og medføre brand, eksplosion eller risiko for personskade.
- **Udsæt ikke en batteripakke eller værktøj for brand eller høje temperaturer.** Udsættelse for brand eller temperatur over 130 °C kan forårsage eksplosion.
- **Følg alle opladningsinstruktioner, og oplad ikke batteripakken eller værktøjet uden for det temperaturområde, der er angivet i instruktionerne.** Forkert opladning eller opladning ved temperaturer uden for det specificerede område kan beskadige batteriet og øge risikoen for brand.

## Service

- **Få en kvalificeret reparatør til at foretage service på dit eldrevne produkt, og brug kun originale reservedele.** Det vil sikre, at elværktøjets sikkerhed bliver bibeholdt.
- **Der må aldrig udføres service på beskadigede batteripakker.** Service på batteripakker bør kun udføres af producenten eller autoriserede serviceudbydere.

## Brug altid din sunde fornuft

Det er ikke muligt at tage højde for alle de situationer, du kan tænkes at komme ud for. Udvis derfor altid forsigtighed, og brug din sunde fornuft. Undgå situationer, som du ikke synes, du er tilstrækkeligt kvalificeret til. Hvis du stadig føler dig usikker med hensyn til fremgangsmåden, efter at du har læst disse anvisninger, skal du kontakte en ekspert, før du fortsætter.



**ADVARSEL:** Tillad aldrig børn at anvende eller være i nærheden af maskinen. Da maskinen er nem at starte, kan børn muligvis starte maskinen, hvis de ikke

holdes under opsyn. Dette kan indebære risiko for alvorlige personskader. Tag derfor batteriet ud, når maskinen ikke er under opsyn.

## Generelle sikkerhedsinstruktioner



**ADVARSEL:** Læs følgende advarselsinstruktioner, inden du bruger produktet.

- Batteriet skal udtages for at forhindre, at produktet starter utilsigtet.
- Dette produkt er et farligt værktøj, hvis du ikke er forsigtig, eller hvis du bruger produktet forkert. Dette produkt kan forårsage alvorlig personskade eller død for brugeren eller andre.
- Brug ikke produktet, hvis det er blevet ændret fra den oprindelige specifikation. Du må ikke ændre dele af produktet uden producentens godkendelse. Brug kun reservedele, der er godkendt af producenten. Forkert vedligeholdelse kan medføre personskader eller dødsfald.
- Kontrollér produktet inden brug. Se *Kontrol før start på side 57* og *Før du bruger produktet på side 63*. Brug ikke et produkt, der er beskadiget eller ikke fungerer korrekt. Gennemfør sikkerhedskontrol, vedligeholdelse og service som beskrevet i denne brugsanvisning.
- Børn skal være under opsyn for at sikre, at de ikke leger med produktet. Lad ikke børn eller personer, som ikke er trænet i brugen af produktet og/eller batteriet, bruge eller udføre service på den/det. Lokal lovgivning kan stille krav til operatørens alder.
- Opbevar produktet i et aflåst område utilgængeligt for børn eller personer, som ikke er godkendt.
- Opbevar produktet utilgængeligt for børn.
- Produktets oprindelige udformning må under ingen omstændigheder ændres uden producentens samtykke. Brug altid originalt tilbehør. Ikke-autoriserede ændringer og/eller ikke-godkendt tilbehør kan medføre alvorlige skader eller døden for brugeren og andre.

**Bemærk:** Nationale eller lokale love kan regulere brugen. Overhold de gældende bestemmelser.

## Sikkerhedsinstruktioner for betjening



**ADVARSEL:** Læs følgende advarselsinstruktioner, inden du bruger produktet.

- **Brug ikke maskinen i dårligt vejr, specielt hvis der er risiko for lynnedslag.** Dette mindsker risikoen for at blive ramt af lynnedslag.

- **Undersøg grundigt det område, hvor maskinen skal bruges, for at se, om der er dyr.** Vilde dyr kan komme til skade af maskinen under betjening.
- **Undersøg grundigt det område, hvor maskinen skal bruges, og fjern alle sten, pinde, kabler, knogler og andre uvedkommende genstande.** Udkastede genstande kan forårsage alvorlige personskader.
- **Før maskinen tages i brug, skal du altid visuelt kontrollere, at klipperen og klipperenheden ikke er beskadigede.** Beskadigede dele øger risikoen for personskade.
- **Hold skærmene på plads. Skærmene skal være i driftsklar stand og monteret korrekt.** En skærm, der er løs, beskadiget eller ikke fungerer korrekt, kan medføre personskade.
- **Hold alle køleluftsindtag fri for snavs.** Blokerede luftindtag og snavs kan medføre overophedning eller risiko for brand.
- **Bær beskyttelsesbriller og høreværn.** Passende sikkerhedsudstyr vil reducere personskader.
- **Brug altid skridsikkert og beskyttende fodtøj, når du betjener maskinen. Betjen ikke maskinen med bare fødder eller iført åbne sandaler.** Dette reducerer risikoen for, at fødderne kommer i kontakt med den bevægelige klipper.
- **Bær altid tøj som f.eks. bukser, der dækker operatørens ben, mens maskinen betjenes.** Kontakt med den bevægelige klipper eller tråd kan forårsage personskade.
- **Hold omkringstående væk, mens maskinen betjenes.** Udkastede grene og lignende kan medføre alvorlig personskade.
- **Betjen ikke maskinen over taljehøjde.** Det hjælper med at forhindre utilsigtet kontakt med klipperen og giver bedre styring af maskinen i uventede situationer.
- **Udvis forsigtighed, når maskinen betjenes i vådt græs. Gå. Løb aldrig.** Dette reducerer risikoen for at glide og falde, hvilket kan medføre personskade.
- **Betjen ikke maskinen på meget stejle skråninger.** Dette reducerer risikoen for tab af kontrol og for at glide og falde, hvilket kan medføre personskade.
- **Når du arbejder på skråninger, skal du altid være sikker på, at du står godt fast. Arbejd altid på tværs af skråninger, aldrig op eller ned, og udvis stor forsigtighed, når du skifter retning.** Dette reducerer risikoen for tab af kontrol og for at glide og falde, hvilket kan medføre personskade.
- **Hold alle ledninger og kabler væk fra klippområdet.** Ledninger og kabler kan være skjult i hække eller buske og kan ved et uheld blive skåret over af tråden eller klipperen.
- **Hold alle dele af kroppen på afstand af trimmerens bevægelige klipper eller tråd. Fjern ikke materiale fra maskinen, før den er blevet koblet fra strømkilden.** Trimmerens bevægelige klipper eller tråd kan medføre alvorlig personskade.
- **Transporter maskinen slukket og væk fra kroppen.** Korrekt håndtering af maskinen vil reducere risikoen

for utilsigtet kontakt med trimmerens bevægelige klipper eller tråd.

- **Brug kun udskiftningsklippehoveder og trimmerklippere eller -tråde, der er angivet af producenten. Udskift ikke trimmerklippere eller -tråde med metaltråde eller -knive.** Forkerte reservedele kan medføre tab af kontrol, brud og personskade.

## Personligt beskyttelsesudstyr



**ADVARSEL:** Læs følgende advarselsinstruktioner, inden du bruger produktet.

- Brug godkendt personligt beskyttelsesudstyr, når du bruger produktet. Personligt beskyttelsesudstyr udelukker ikke fuldstændigt risikoen for personskader, men det mindsker graden af skaderne i tilfælde af, at der skulle ske en ulykke. Lad forhandleren hjælpe dig med at vælge det rigtige udstyr.
- Brug godkendt høreværn.

(Fig. 17)

- Brug godkendt øjenværn. Hvis du bruger et ansigtsskærm, skal du også bruge godkendte beskyttelsesbriller. Godkendte beskyttelsesbriller skal være i overensstemmelse med den amerikanske standard ANSI Z87.1 eller EU-standardEN 166.

(Fig. 18)

- Brug om nødvendigt beskyttelseshandsker, f.eks. ved montering, eftersyn og rengøring af skæreudstyret.

(Fig. 19)

- Brug beskyttelsessko med stålsnude og skridsikre såler.

(Fig. 20)

- Brug beklædning, der er lavet af et stærkt materiale. Brug altid kraftige lange bukser og lange ærmer. Brug ikke løstsiddende tøj, som kan sætte sig fast i buske og grene. Brug ikke smykker, korte bukser eller sandaler. Du må ikke gå med bare fødder. Sæt håret op i en sikker højde, dvs. over skulderen.
- Hav førstehjælpsudstyr i nærheden.

(Fig. 21)

## Sikkerhedsanordninger på produktet



**ADVARSEL:** Læs følgende advarselsinstruktioner, inden du bruger produktet.

I dette afsnit forklares mere om produktets sikkerhedsfunktioner og deres formål, samt hvordan kontrol og vedligeholdelse skal udføres for at sikre, at de fungerer. Se anvisningerne under afsnittet *Indledning*

på side 56 for at finde ud af, hvor disse dele er placeret på dit produkt.

Produktets levetid kan forkortes og risikoen for ulykker kan øges, hvis vedligeholdelsen ikke udføres korrekt, og hvis service og/eller reparation ikke udføres fagligt korrekt. Kontakt det nærmeste serviceværksted for at få yderligere oplysninger.



**ADVARSEL:** Brug aldrig et produkt med beskadiget sikkerhedsudstyr. Produktets sikkerhedsudstyr skal kontrolleres og vedligeholdes som beskrevet i dette afsnit. Klarer produktet ikke alle kontrollerne, skal du kontakte et serviceværksted for at få den repareret.



**BEMÆRK:** Al service og reparation af maskinen kræver specialuddannelse. Dette gælder især maskinens sikkerhedsudstyr. Hvis maskinen ikke klarer nogen af de nedennævnte kontroller, skal du kontakte dit serviceværksted. Ved at købe nogle af vores produkter kan du være sikker på at få en faglig korrekt reparation og service. Hvis maskinen er købt et sted, som ikke er en af vores serviceydende forhandlere, skal du spørge dem efter det nærmeste serviceværksted.

#### Sådan kontrolleres tastaturet

- Tryk og hold nede på start/stop-knappen (A). (Fig. 22)
  - Produktet er tændt, når lysdioden (B) er tændt.
  - Produktet er slukket, når lysdioden (B) er slukket.
- Se *Tastatur på side 66*, hvis advarselsindikatoren (C) bliver tændt eller blinker.

#### Sådan kontrolleres låsen på strømudløseren

Låsen på strømudløseren forhindrer utilsigtet start. Når du trykker på låsen på strømudløseren (A), frigøres strømudløseren (B). Når grebet om håndtaget slippes, flyttes både strømudløseren og låsen på strømudløseren tilbage i deres udgangspositioner. (Fig. 23)

- Kontrollér, at strømudløseren er låst, når strømudløseren er i udgangsstillingen. (Fig. 24)
- Tryk på strømudløseren, og sørg for, at den går tilbage til udgangsstillingen, når du slipper den. (Fig. 25)
- Kontrollér, at strømudløseren og låsen bevæger sig frit, og at returfederen fungerer korrekt. (Fig. 26)
- Start produktet. Se *Sådan startes produktet på side 64*.
- Kør med fuld hastighed.

- Slip strømudløseren, og sørg for, at skæreudstyret standser helt.

#### Sådan kontrolleres skæreudstyrsskærmen



**ADVARSEL:** Brug ikke skæreudstyret uden en godkendt og korrekt monteret skæreudstyrsskærm. Brug altid den anbefalede beskyttelse til det skæreudstyr, du bruger, se *Tekniske data på side 68*. Hvis der monteres forkert eller defekt skæreudstyrsskærm, kan det forårsage alvorlig personskade.

Skæreudstyrsskærmen standser genstande, som udkastes i retning af brugeren. Skæreudstyrsskærmen forhindrer også skader, som kunne opstå, hvis du berører skæreudstyret.

- Stop motoren.
- Se efter skader, f.eks. revner.
- Udskift skæreudstyrsskærmen, hvis den er beskadiget.

#### Klippeudstyr

Vælg det rigtige skæreudstyr, og udfør vedligeholdelsesarbejde på skæreudstyr for at:

- Opnå maksimal skarphed.
- Øge skæreudstyrets levetid.



**ADVARSEL:** Brug kun skæreudstyr sammen med den beskyttelse, som vi anbefaler! Se *Tekniske data på side 68*. Se anvisningerne til skæreudstyret for korrekt indføring af trimmertråd og valg af korrekt diameter for trimmertråd.



**ADVARSEL:** Beskadiget skæreudstyr kan øge risikoen for ulykker.



**ADVARSEL:** Stands altid motoren, inden du foretager arbejde på skæreudstyret. Denne fortsætter med at rotere, når du slipper gasreguleringen. Kontrollér, at skæreudstyret er standset helt, og fjern kablet fra tændhætten, inden du begynder at arbejde på udstyret.

#### Trimmerhoved



**ADVARSEL:** Sørg altid for, at trimmertråden er rullet hårdt og jævnt rundt om tromlen for at undgå skadelige vibrationer.

(Fig. 27)

- Brug kun anbefalede trimmerhoveder og trimmertråde.
- Brug kun anbefalet skæreudstyr.
- Mindre maskiner bruger små trimmerhoveder og omvendt.
- Trimmertrådens længde er vigtig. En længere trimmertråd kræver større motorstyrke end en kort med samme diameter på trimmertråden.
- Sørg for, at den kniv, som sidder på trimmerbeskyttelsen, er intakt. Dette skærer trimmertråden til den korrekte længde.
- Læg trimmertråden i blød i vand et par døgn før brug for at forlænge levetiden.

## Batterisikkerhed



**ADVARSEL:** Læs følgende advarselsinstruktioner, inden du bruger produktet.

- Brug kun batterier fra serierne BLi og 40-B. For yderligere oplysninger, se *Tekniske data på side 68*. Batteriet er softwarekrypteret.
- Brug kun batterierne i serierne BLi og 40-B, der er genopladelige, som strømforsyning til de relaterede Husqvarna-produkter. For at undgå personskaade må batteriet ikke anvendes som strømforsyning til andre produkter.
- Risiko for elektrisk stød. Tilslut ikke batteripolerne til nøgler, mønter, skruer eller andre metalgenstande. Dette kan medføre en kortslutning af batteriet.
- Undgå at bruge ikke-genopladelige batterier.
- Sæt ikke genstande ind i batteriets luftspalte.
- Hold batteriet væk fra sollys, varme og åben ild. Batteriet kan medføre forbrændinger og/eller kemiske forbrændinger.
- Hold batteriet væk fra regn og våde omgivelser.
- Hold batteriet væk fra mikrobølger og højt tryk.
- Forsøg ikke at skille batteriet ad eller ødelægge det.
- Hvis batteriet lækker, skal du sørge for, at væsken ikke kommer i kontakt med hud eller øjne. Ved berøring af væsken skal området skylles med en stor mængde vand og sæbe, hvorefter der opsøges lægehjælp. Hvis du får væske i øjnene, må du ikke gnide øjnene. Sørg for at skylle dem med rigeligt vand i mindst 15 minutter, og søg derefter lægehjælp.
- Brug batteriet i temperaturer mellem -10 °C (14 °F) og 40 °C (114 °F).
- Batteriet eller batteriopladeren må aldrig rengøres med vand. Se *Sådan rengøres produktet, batteriet og batteriopladeren på side 66*.
- Brug ikke et defekt eller beskadiget batteri.
- Opbevar batterierne væk fra metalgenstande som f.eks. søm, skruer og smykker.
- Opbevar batteriet utilgængeligt for børn.

## Batteriopladersikkerhed



**ADVARSEL:** Læs følgende advarselsinstruktioner, inden du bruger produktet.

- Risiko for elektrisk stød eller kortslutning, hvis sikkerhedsinstruktionerne ikke overholdes.
- Brug ikke andre batteriopladere end den, der blev leveret med dit produkt. Brug kun QC80- og 40-C80-opladere når du oplader reservebatterier fra serierne BLi og 40-B.
- Forsøg aldrig at adskille batteriopladeren.
- Brug ikke en defekt eller beskadiget batterioplader.
- Løft aldrig batteriopladeren ved hjælp af ledningen. Træk stikket ud for at afbryde batteriopladeren fra stikkontakten. Træk ikke i strømkablet.
- Hold alle kabler og forlængerledninger væk fra vand, olie og skarpe kanter. Sørg for, at ledningen ikke bliver klemt i eksempelvis døre, hegn eller lignende.
- Brug ikke batteriopladeren i nærheden af brandfarlige materialer eller materialer, der kan medføre korrosion. Sørg for, at batteriopladeren ikke er dækket. I tilfælde af røgafgivelse eller brand skal batteriopladeren afbrydes fra stikkontakten.
- Oplad kun batteriet indendørs på et sted med god ventilation og beskyttet mod direkte sollys. Batteriet må ikke oplades udendørs. Oplad ikke batteriet under våde forhold.
- Brug kun batteriopladeren ved temperaturer mellem 5 °C (41 °F) og 40 °C (104 °F). Brug batteriopladeren på et sted med god ventilation, hvor den ikke udsættes for fugt eller støv.
- Sæt ikke genstande ind i batteriopladerens luftspalter.
- Forbind aldrig batteriopladerens poler med metalgenstande, da dette kan kortslutte batteriopladeren.
- Brug godkendte stikkontakter, som ikke er beskadiget. Sørg for, at batteriopladerens ledning ikke er beskadiget. Hvis der bruges forlængerledninger, skal det sikres, at forlængerledningerne ikke er beskadiget.
- Ikke-genopladelige batterier må ikke oplades i batteriopladeren.

## Sikkerhedsinstruktioner for vedligeholdelse



**ADVARSEL:** Læs følgende advarselsinstruktioner, inden du udfører vedligeholdelse på produktet.

- Fjern batteriet, inden du udfører vedligeholdelse, anden kontrol eller samler produktet.
- Brugeren må kun udføre den form for vedligeholdelses- og servicearbejde, der beskrives i denne brugervejledning. Kontakt en servicetekniker

i forbindelse med større vedligeholdelses- og serviceopgaver.

- Batteriet eller batteriopladeren må aldrig rengøres med vand. Stærke opløsningsmidler kan beskadige plasten.
- Hvis du ikke udfører vedligeholdelse, reduceres levetiden for produktet og risikoen for ulykker øges.
- Der kræves særlig uddannelse til al service og reparation, især for sikkerhedsanordninger

på produktet. Hvis ikke alle kontroller i denne brugsanvisning er godkendt, efter du har udført vedligeholdelse, skal du kontakte din servicetekniker. Vi garanterer, at der er professionelle reparationer og vedligeholdelse til rådighed for dit produkt.

- Brug altid kun originale reservedele.

---

## Montering

---

### Indledning



**ADVARSEL:** Læs og forstå kapitlet om sikkerhed, før du monterer produktet.

### Sådan monteres trimmerskærmen

1. Placér trimmerskærmen mod motorhuset. (Fig. 28).
2. Installer bolten gennem motorhuset og trimmerskærmen. (Fig. 29)
3. Spænd bolten.

### Sådan samles trimmerhovedet

1. Drej den udgående aksel rundt, indtil hullet i medbringerhjulet flugter med det tilsvarende hul i gearhuset.
2. Sæt låsepinden ind i hullet, så akslen låses.
3. Drej trimmerhovedet mod uret. (Fig. 30)

### Sådan monterer du loophåndtaget

1. Monter skruen på loophåndtaget. (Fig. 31)
2. Fastgør loophåndtaget til tilbehøret på skaffet.
3. Spænd skruerne.

4. Juster loophåndtaget til en korrekt position. Se *Sådan justeres loophåndtaget og teleskopskaffet på side 64.*

### Sådan installeres blomsterbeskyttelsen

1. Installer blomsterbeskyttelsen i hullerne på motorhuset. (Fig. 32)
2. Kontrollér, at blomsterbeskyttelsen frit kan bevæge sig fremad og bagud. (Fig. 33)

### Sådan installeres batteriopladeren 40-C80 på væggen



**BEMÆRK:** Brug ikke en elektrisk skruetrækker til at montere batteriopladeren på væggen. En elektrisk skruetrækker kan beskadige batteriopladeren.

1. Monter batteriopladeren på væggen med de 2 skruer (B). Brug rawplugs (A), hvis det er nødvendigt. (Fig. 34)
2. Monter de 2 skruelhulspopper (C).
3. Tilslut strømkablet til batteriopladeren og en stikkontakt.

---

## Drift

---

### Indledning



**ADVARSEL:** Læs og forstå kapitlet om sikkerhed, før du bruger produktet.

### Før du bruger produktet

- Undersøg arbejdsområdet for at sikre, at du kender terrænet. Undersøg hældningen på jorden, og om der er forhindringer som f.eks. sten, grene og grøfter.
- Foretag en generel inspektion af produktet.
- Udfør alle sikkerhedseftersyn samt service og vedligeholdelse, som fremgår af denne instruktionsbog.

- Undersøg motoren for snavs og revnedannelse. Brug en børste til at rengøre motoren for græs og blade. Brug handsker, når det er nødvendigt.
- Undersøg trimmerhovedet og skæreudstyrsskærmen for skader og revner. Udskift trimmerhovedet og skæreudstyrsskærmen, hvis de er blevet ramt eller er revnet.
- Sørg for, at alle møtrikker og skruer er spændt.
- Sørg for, at alle dæksler, beskyttelsesskærme, håndtag og skæreudstyr er korrekt monteret og er intakte, før du starter produktet.

### Batteri



**ADVARSEL:** Læs og forstå kapitlet om sikkerhed, før du bruger batteriet. Læs

og forstå brugervejledningen for batteriet og batteriopladeren.

Opbevar batteriet og batteriopladeren ved de korrekte omgivende temperaturer.

	Omgivelsestemperatur
Betjening af batteriet	5 °C-40 °C / 41 °F-104 °F

	Omgivelsestemperatur
Opladning af batteriet	5 °C-40 °C / 41 °F-104 °F

### Batteristatus

Displayet viser status for opladningstilstand, og om der er problemer med batteriet.

(Fig. 35)

LED-indikator	Batteristatus (opladningstilstand)	
	BLi10, BLi20	40-B70, 40-B140
4 LED-lamper er tændt	N/A	Batteriet er opladet 76-100%.
3 LED-lamper er tændt	Batteriet er opladet 76-100%.	Batteriet er opladet 51-75%.
2 LED-lamper er tændt	Batteriet er opladet 51-75%.	Batteriet er opladet 26-50%.
1 LED-lampe er tændt	Batteriet er opladet 26-50%.	Batteriet er opladet 6-25%.
1 LED-lampe blinker	Batteriet er opladet 0-25%.	Batteriet er opladet 0-5%.

### Sådan oplades batteriet

Oplad batteriet, hvis det er første gang, du bruger det. Et nyt batteri er kun 30 % opladet.



**BEMÆRK:** Tilslut batteriopladeren til et strømudtag med den spænding og frekvens, der fremgår af typeskiltet.

Batteriet oplades ikke, hvis batteriets temperatur er højere end 50 °C/122 °F.

1. Tilslut strømkablet til batteriopladeren.
2. Tilslut batteriopladeren til et jordet strømudtag. LED-indikator for opladning blinker en gang. (Fig. 36)
3. Tilslutning af batteriet til batteriopladeren. LED-indikator for opladning tændes. Oplad batteriet i maks. 24 timer. (Fig. 37)
4. Tryk på batteriindikatorknappen. Hvis alle LED-indikatorerne tændes, er batteriet fuldt opladet.
5. Træk stikket ud for at frakoble batteriopladeren fra strømudtaget. Træk ikke i strømkablet.
6. Fjern batteriet fra batteriopladeren.

### Sådan tilsluttes batteriet til produktet



**ADVARSEL:** Brug kun det originale Husqvarna batteri i produktet.

1. Oplad batteriet helt.
2. Skub batteriet ind i batteriholderen på produktet. Batteriet låses på plads, når du hører et klik. (Fig. 38)



**BEMÆRK:** Hvis batteriet ikke bevæger sig let ind i batteriholderen, er batteriet ikke monteret korrekt. Det kan forårsage skader på produktet.

### Sådan startes produktet

1. Tryk på start/stop-knappen, og hold den nede, indtil det grønne LED-lys tændes. (Fig. 39)
2. Tryk på låsen på strømudløseren og strømudløseren. Skæreudstyret begynder at rotere.

### Sådan justeres loophåndtaget og teleskopskaffet

1. Løsn låsehåndtaget, og juster loophåndtaget til en korrekt position. (Fig. 40)
2. Luk låsehåndtaget.
3. Løsn håndtaget på skaftet. (Fig. 41)
4. Indstil den nødvendige længde på akslen. Sørg for, at du kan se trekanten på akslen. (Fig. 42)
5. Luk håndtaget, og spænd skruen.

**Bemærk:** Fastgør ikke loophåndtaget på advarselmærkaterne på akslen.

### Sådan bruges SavE-funktionen

Dette produkt har en strømsparefunktion, SavE.

**Bemærk:** SavE-funktionen reducerer produktets skærekraft.

1. Tryk på SavE-knappen på tastaturet.



2. Kontroller, at den grønne LED tændes.
3. Tryk på SavE-knappen igen for at afbryde funktionen. Den grønne LED slukker. (Fig. 43)

## Automatisk slukkefunktion

Dette produkt har en nedlukningsmetode, der stopper apparatet, hvis produktet ikke anvendes. Den grønne LED til start/stop slukker, og produktet stopper efter 180 sekunder.

## Betjening af produktet

### Sådan trimmes græsset

1. Hold trimmerhovedet lige over jorden, og hold det i vinkel. Tryk ikke trimmertråden ned i græsset. (Fig. 44)
2. Reducer længden af trimmertråden med 10-12 cm/ 4-4,75 tommer.
3. Reducer motorhastigheden for at mindske risikoen for skader på planterne.
4. Brug 80 % gas, når du klipper græs nær genstande. (Fig. 45)

### Sådan ryddes græs

1. Hold trimmerhovedet over jorden.
2. Vip trimmerhovedet til siden.
3. Snit med enden af trimmertråden omkring genstande i arbejdsområdet.



**BEMÆRK:** Slå græsset. Andre objekter, der rammes af trimmertråden, øger sliddet på trimmertråden.

### Sådan klippes græsset

1. Sørg for, at trimmertråden er parallel med underlaget, når du klipper græsset. (Fig. 46)

2. Skub ikke trimmerhovedet ned mod jorden. Det kan forårsage skader på produktet.
3. Flyt produktet fra side til side, når du slår græs. Brug fuld gas. (Fig. 47)

### Sådan fejles græsset

Luftstrømmen fra den roterende trimmertråd kan bruges til at fjerne det afskårne græs fra et område.

1. Hold trimmerhovedet og trimmertråden parallelt med jorden og over jorden.
2. Giv fuld gas.
3. Flyt trimmerhovedet fra side til side og fej græsset.



**ADVARSEL:** Rens trimmerhovedets dæksel, hver gang du monterer en ny trimmertråd for at undgå uligevægt og vibrationer i håndtagene. Efterse også regelmæssigt andre dele af trimmerhovedet, og rens dem om nødvendigt.

### Sådan standses produktet

1. Slip strømudløseren og låsen på strømudløseren.
2. Tryk på start/stopknappen, indtil den grønne LED slukker.
3. Tryk på udløserknapperne på batteriet, og træk batteriet ud af produktet. (Fig. 48)

### Sådan udskiftes trimmertråden

Se sidste side i denne brugsanvisning.

## Vedligeholdelse

### Indledning



**ADVARSEL:** Læs og forstå sikkerhedskapitlet, før du udfører vedligeholdelse på produktet.

### Vedligeholdelsesskema



**ADVARSEL:** Fjern batteriet, før du udfører vedligeholdelse.

Nedenfor vises en oversigt over det vedligeholdelsesarbejde, der skal udføres på produktet. Se *Vedligeholdelse på side 65* for flere oplysninger.

Vedligeholdelse	Hver dag	Ugentligt	Månedligt
Rengør produktets yvendige overflade med en tør klud. Brug ikke vand.	X		

Vedligeholdelse	Hver dag	Ugentligt	Månedligt
Kontrollér, at start/stop-knappen fungerer korrekt og ikke er beskadiget.	X		
Kontrollér, at strømdløseren og strømdløserlåsen fungerer i sikkerhedsmæssig henseende.	X		
Sørg for, at alle kontrolenheder fungerer og ikke er beskadiget.	X		
Hold håndtagene tørre, rene og frie for olie og fedt.	X		
Sørg for, at skæredestyret ikke er beskadiget. Udskift skæredestyret, hvis det er beskadiget.	X		
Sørg for, at skæredestyret er intakt. Udskift skæredestyrrskærmen, hvis den er beskadiget.	X		
Sørg for, at skruer og møtrikker er spændt.	X		
Kontrollér, at udløserknapperne på batteriet fungerer og låser batteriet på plads i produktet.	X		
Kontrollér, at batteriopladeren er intakt og fungerer korrekt.	X		
Sørg for, at batteriet ikke er beskadiget.	X		
Sørg for, at batteriet er opladt.	X		
Sørg for, at batteriopladeren ikke er beskadiget.	X		
Undersøg alle kabler, koblinger og tilslutninger. Sørg for, at de ikke er beskadigede eller snavsede.		X	
Kontrollér forbindelserne mellem batteriet og produktet. Kontrollér forbindelserne mellem batteriet og batteriopladeren.			X

## Sådan undersøges batteriet og batteriopladeren

1. Undersøg batteriet for skader, f.eks. revner.
2. Undersøg batteriopladeren for skader, f.eks. revner.
3. Undersøg regelmæssigt, at forbindelsesledningen til batteriopladeren er intakt, og at der ikke er revner i den.

## Sådan rengøres produktet, batteriet og batteriopladeren

1. Rengør produktet med en tør klud efter brug.
2. Rengør batteriet og batteriopladeren med en tør klud. Hold batteristyretporene rene.

3. Sørg for, at polerne på batteriet og batteriopladeren er rene, før batteriet sættes i batteriopladeren eller produktet.

## Sådan udføres eftersyn og udskiftning af trimmerhovedet

1. Kontrollér trimmerhovedet for skader og revner.
2. Træk trimmertrådens trådmontering ud.
3. Afmonter trimmerhovedet. (Fig. 49)
4. Udskift trimmerhovedet.
5. Saml trimmerhovedet. Se *Sådan samles trimmerhovedet på side 63*.

## Fejlfinding

### Tastatur

Kontrollampeskærm	Mulige fejl	Mulige løsninger
Fejl-LED'en blinker.	Overbelastning	Skæredestyret kan ikke bevæge sig frit. Udløs skæredestyret.
	Temperaturafvigelse	Lad produktet køle af.

Kontrollampeskærm	Mulige fejl	Mulige løsninger
Produktet starter ikke.	Tryk på strømudløseren og start-knappen på samme tid.	Slip strømudløseren, og stands produktet.
Fejl-LED'en lyser rødt.	Det er nødvendigt at foretage service på produktet	Kontakt din serviceforhandler.

## Batteri

LED-display	Mulige fejl	Mulig løsning
Den grønne LED blinker.	Lav batterispænding.	Oplad batteriet.
Fejl-LED'en blinker.	Temperaturafvigelse.	Brug batteriet i temperaturer mellem -10 °C (14 °F) og 40 °C (104 °F).
	For høj spænding.	Kontrollér, at netspændingen er i overensstemmelse med den værdi, der står på produktets typeskilt. Fjern batteriet fra batteriopladeren.
Fejl-LED'en er tændt.	Batteriforskellen er for stor (1 V).	Kontakt din serviceforhandler.

## Batterioplader

Problem	Mulige fejl	Mulig løsning
LED-indikatoren for opladning lyser rødt.	Permanent fejl på batterioplader.	Snak med din forhandler.
LED-indikatoren for opladning blinker grønt.	Temperaturafvigelse, batteriet er for koldt eller for varmt til brug eller opladning.	Lad batteriet køle ned eller varmes op. Når batteriet har den korrekte temperatur, kan det bruges eller oplades igen. Brug batteriopladeren ved omgivende temperaturer på mellem 5 °C (41 °F) og 40 °C (104 °F).
LED-indikatoren for opladning blinker rødt.	Defekt batteri.	Snak med din forhandler.

---

## Transport, opbevaring og bortskaffelse

---

### Transport og opbevaring

- De medfølgende li-ion-batterier overholder lovkravene vedrørende farligt gods.
- Overhold de særlige krav vedrørende emballage og etiketter til kommerciel transport, herunder tredjeparter og speditorer.
- Tal med en person med specialuddannelse i farligt materiale, før du sender produktet. Overhold alle gældende nationale bestemmelser.
- Sæt tape på åbne kontakter, når batteriet lægges i en pakke. Sørg for, at batteriet ikke kan bevæge sig i pakken.
- Fjern altid batteriet ved opbevaring eller transport.
- Sæt batteriet og batteriopladeren i et rum, der er tørt og fri for fugt og frost.
- Batteriet må ikke opbevares på steder, hvor statisk elektricitet kan forekomme. Opbevar ikke batteriet i en metalkasse.

- Opbevar batteriet ved temperaturer på mellem 5 °C/41 °F og 25 °C/77 °F og væk fra direkte sollys.
- Opbevar batteriopladeren ved temperaturer på mellem 5 °C/41 °F og 45 °C/113 °F og væk fra direkte sollys.
- Brug kun batteriopladeren ved en omgivende temperatur på mellem 5 °C/41 °F og 40 °C/104 °F.
- Oplad batteriet 30 % til 50 %, før du sætter det til opbevaring i længere tid.
- Opbevar batteriopladeren i et rum, der er lukket og tørt.
- Hold batteriet væk fra batteriopladeren under opbevaring. Lad ikke børn og andre ikke-autoriserede personer røre ved udstyret. Opbevar udstyret i et rum, der kan aflåses.
- Rengør produktet, og udfør fuld service, før du sætter produktet til opbevaring i længere tid.
- Brug transportskærmen på produktet for at forhindre personskader eller skader på produktet under transport og opbevaring.
- Fastspænd produktet sikkert under transporten.

### Bortskaffelse af batteriet, batteriopladeren og produktet

Symbolerne på produktet eller emballagen angiver, at produktet ikke er almindeligt husholdningsaffald. Aflever det på en genbrugsstation til elektrisk og elektronisk udstyr. Dette hjælper med at forhindre skader på miljøet og på personer.

Kontakt de lokale myndigheder, dit renovationselskab eller din forhandler for at få flere oplysninger om, hvordan du genbruger dit produkt.

## Tekniske data

### Tekniske data

	<b>215iL</b>
<b>Motor</b>	
Motortype	BLDC
Omdrejningstal på udgående aksel, o/min.	6800
Klippebredde, mm	310
<b>Vægt</b>	
Vægt uden batteri, kg	2,9
<b>Støjmissioner <sup>10</sup></b>	
Lydeffektniveau, målt dB(A)	90,5
Lydeffektniveau, garanteret L <sub>WA</sub> dB (A)	92
<b>Støjniveauer <sup>11</sup></b>	
Ækvivalent lydtrykkniveau ved brugerens ører målt i henhold til EN ISO 50636-2-91, dB (A)	74,9
<b>Vibrationsniveauer <sup>12</sup></b>	
Vibrationsniveauer i håndtag målt i henhold til EN50636-2-91, m/s <sup>2</sup>	4,5 / 2,7
Udstyret med trimmerhoved (original), front/bag.	

<sup>10</sup> Støjmissioner til omgivelserne målt som lydeffekt (L<sub>WA</sub>) i henhold til EF-direktiv 2000/14/EF. Forskellen mellem garanteret og målt lydeffekt er, at den garanterede lydeffekt også omfatter spredning i måleresultatet og variationerne mellem forskellige produkter af samme model i henhold til direktivet 2000/14/EF.

<sup>11</sup> Rapporerede data for ækvivalent lydtrykkniveau for produktet har en typisk statistisk spredning (standardafvigelse) på 2,5 dB(A).

<sup>12</sup> Rapporerede data for vibrationsniveau har en typisk statistisk spredning (standardafvigelse) på 1,5 m/s<sup>2</sup>.

### Godkendte batterier til produktet

Batteri	BLI10	BLI20	40-B70	40-B140
Type	Lithiumion		Lithiumion	Lithiumion
Batterikapacitet, Ah	Se batteritypeskiltet		Se batteritypeskiltet	Se batteritypeskiltet
Nominal spænding, V	36	36,5	36	36
Vægt, kg	0,7	0,7	1,2	1,2

### Godkendte batteriopladere til produktet

Batterioplader	QC80	40-C80
Netspænding, V	100-240	100-240
Frekvens, Hz	50-60	50-60
Effekt, watt	100	72
Udgangsspænding, V (jævnstrøm)/ ampere, A	36/2	43/1,6

---

## Tilbehør

---

### Godkendt tilbehør

Godkendt tilbehør	Type	Beskyttelse til skæreudstyr, Art. nr.
Trimmerhoved	R25B (Ø 2 mm line)	529 96 69-01

# Overensstemmelseserklæring

## EU-overensstemmelseserklæring

Vi, **Husqvarna AB**, SE-561 82 Huskvarna, Sverige,  
tlf.: +46-36-146500 erklærer under eneansvar, at det  
pågældende produkt:

<b>Beskrivelse</b>	Batteridreven plænetrimmer
<b>Varemærke</b>	Husqvarna
<b>Type / model</b>	215iL
<b>Identifikation</b>	Serienumrene fra 2024 og fremefter

overholder følgende EU-direktiver og bestemmelser:

Direktiv/bestemmelser	Beskrivelse
2006/42/EF	"vedrørende maskiner"
2014/30/EU	"vedrørende elektromagnetisk kompatibilitet"
2000/14/EF	"vedrørende støjmissioner til omgivelserne"
2011/65/EU	"om begrænsning af anvendelsen af visse farlige stoffer i elektrisk og elektronisk udstyr"

og at følgende standarder og/eller tekniske  
specifikationer anvendes: EN 60335-1:2012/A15:2021,  
EN 50636-2-91:2014, EN IEC 63000:2018, EN IEC  
55014-1:2021; EN IEC 55014-2:2021.

Udpeget organ: 0197 TÜV Rheinland LGA  
Products GmbH, Tillystraße 2, 90431 Nürnberg,  
Germany har bekræftet, at bestemmelserne  
i Rådets direktiv 2000/14/EF, procedure for  
overensstemmelsesvurdering: Bilag VI.

Vedr. oplysninger om støjmission, se *Tekniske data på  
side 68*.

Huskvarna, 2024-02-01



Claes Losdal, R&D Manager, Husqvarna AB  
Ansvarlig for teknisk dokumentation



## Inhalt

Einleitung.....	71	Transport, Lagerung und Entsorgung.....	84
Sicherheit.....	72	Technische Angaben.....	86
Montage.....	79	Zubehör.....	87
Betrieb.....	80	Konformitätserklärung.....	88
Wartung.....	82	Anhang .....	454
Fehlerbehebung.....	83		

---

# Einleitung

---

## Gerätebeschreibung

Husqvarna 215iL ist ein Akku-Rasentrimmer mit Elektromotor.

Wir arbeiten laufend daran, Ihre Sicherheit und die Effektivität während des Betriebs zu verbessern. Ihr Servicehändler steht Ihnen gerne für weitere Informationen zur Verfügung.

## Bestimmungsgemäße Verwendung

Das Gerät wird mit nichtmetallischen Trimmerfäden, nichtmetallischen Schnüren oder gleichwertigen

nichtmetallischen flexiblen Schneidelementen verwendet. Verwenden Sie das Gerät nicht für andere Aufgaben als zum Schneiden von Unkraut, Gras oder ähnlicher weicher Vegetation.

---

**Hinweis:** Der Betrieb des Geräts kann durch nationale Vorschriften eingeschränkt werden.

---

## Geräteübersicht

(Abb. 1)

1. Trimmerkopf
2. Schutz für die Schneidausrüstung
3. Führungsrohr
4. Schafteinstellung (Teleskop)
5. Loophandgriff
6. Tastatur
7. Tastaturwarnanzeige
8. Start-/Stopptaste
9. SavE-Taste (Energiespartaste)
10. Gashebel
11. Gashebelsperre
12. Betriebs- und Warnanzeige
13. Verbinder
14. Ladegerät 40-C80
15. Ladegerät QC80
16. Netzkabel
17. Pflanzenschutz
18. Akkuwarnanzeige
19. Akkuladezustand
20. Akkuanzeigetaste
21. Akkuentriegelungstaste
22. Akku
23. Kombinationswerkzeug
24. Bedienungsanleitung

## Symbole auf dem Gerät

(Abb. 2) **WARNUNG:** Dieses Gerät kann gefährlich sein und schwere oder tödliche Verletzungen des Bedieners oder anderer Personen verursachen. Gehen Sie vorsichtig vor und verwenden Sie das Gerät ordnungsgemäß.

(Abb. 3) Lesen Sie die Bedienungsanleitung sorgfältig durch und machen Sie sich vor

der Verwendung des Geräts mit ihrem Inhalt vertraut.

(Abb. 4) Verwenden Sie einen Augenschutz.

(Abb. 5) Verwenden Sie das Gerät nicht bei Regen.

(Abb. 6) Etikett mit Geräuschemissionen gemäß EU- und UK-Verordnungen und Richtlinien (plus Verordnungen aus New South Wales). Daten zu Geräuschemissionen sind auf dem Geräteschild und im Abschnitt „Technische Daten“ angegeben.

(Abb. 7) Halten Sie während des Betriebs umstehende Personen vom Gerät fern.

(Abb. 8) Trennen Sie den Akku vor der Wartung.

(Abb. 9) Das Gerät und die Verpackung des Geräts dürfen nicht über den Hausmüll entsorgt werden. Recyceln Sie es an einer Recyclingstation für elektrische und elektronische Geräte.

(Abb. 10) Das Gerät entspricht den geltenden EU-Richtlinien.

(Abb. 11) Das Gerät entspricht den geltenden UK-Richtlinien.

(Abb. 12) Gleichstrom.

yyyywwxxxx

Auf dem Typenschild oder der Lasergravur ist die Seriennummer angegeben. **yyyy** ist das Produktionsjahr und **ww** steht für die Produktionswoche.

(Abb. 15) Doppelt isoliert

## Produktschäden

Wir haften nicht für Schäden an unserem Produkt, wenn:

- das Gerät nicht ordnungsgemäß repariert wird.
- das Gerät mit Teilen repariert wird, die nicht vom Hersteller stammen oder nicht vom Hersteller zugelassen sind.
- ein Zubehörteil mit dem Gerät verwendet wird, das nicht vom Hersteller stammt oder nicht vom Hersteller zugelassen ist.
- das Gerät nicht bei einem zugelassenen Service Center oder von einem zugelassenen Fachmann repariert wird.

## Symbole auf dem Akku und/oder auf dem Ladegerät

(Abb. 16)

Recyceln Sie dieses Gerät an einer Recyclingstation für elektrische und elektronische Geräte. (nur für Europa)

(Abb. 13)

Störungsfreier Transformator.

(Abb. 14)

Das Akkuladegerät darf nur in geschlossenen Räumen benutzt und aufbewahrt werden.

---

# Sicherheit

---

## Sicherheitsdefinitionen

Warnungen, Vorsichtsmaßnahmen und Hinweise werden verwendet, um auf besonders wichtige Teile der Bedienungsanleitung hinzuweisen.



**WARNUNG:** Wird verwendet, wenn bei Nichtbeachtung der Anweisungen in diesem Handbuch die Gefahr von Verletzung oder Tod des Bedieners oder anderer Personen besteht.



**ACHTUNG:** Wird verwendet, wenn bei Nichtbeachtung der Anweisungen in diesem Handbuch die Gefahr von Schäden am Gerät, an anderen Materialien oder in der Umgebung besteht.

**Hinweis:** Für weitere Informationen, die in bestimmten Situationen nötig sind.

## Allgemeine Sicherheitshinweise für Elektrowerkzeuge



**WARNUNG:** Lesen Sie sämtliche Sicherheitshinweise und Anweisungen durch. Wenn Sie die Warn- und Sicherheitshinweise nicht befolgen, kann dies zu Elektroschock, Brand und/oder schweren Verletzungen führen.

**Hinweis: Bewahren Sie alle Warnhinweise und Anweisungen für spätere Referenzzwecke auf.** Der Begriff „Elektrowerkzeug“ in den Warnhinweisen bezieht sich auf ein Elektrowerkzeug mit Netzbetrieb (über ein Kabel) oder mit Akkubetrieb (kabellos).

## Kontrolle vor dem Start

- Entnehmen Sie stets den Akku, um den versehentlichen Start des Geräts zu verhindern. Entfernen Sie stets den Akku, bevor Sie das Gerät warten.
- Vor Gebrauch des Geräts und nach jedem Schlag oder Stoß muss das Gerät auf Anzeichen von Verschleiß oder Schäden überprüft und ggf. repariert werden.
- Überprüfen Sie den Arbeitsbereich. Entfernen Sie alle losen Gegenstände, z. B. Steine, Glasscherben, Nägel, Drähte, Schnüre, usw., die weggeschleudert werden oder sich in der Schneidusrüstung oder Schutzausrüstung verfangen können.
- Prüfen Sie den Motor auf Verschmutzungen und Risse. Entfernen Sie Gras und Blätter mit Hilfe einer Bürste aus dem Motor. Handschuhe sind dann zu tragen, wenn dies notwendig ist.
- Prüfen Sie, ob der Trimmerkopf fest am Trimmer angebracht ist.
- Prüfen Sie, ob sich das Gerät in einwandfreiem Arbeitszustand befindet. Kontrollieren Sie, ob alle Muttern und Schrauben angezogen sind.
- Überprüfen Sie Trimmerkopf und Trimmerschutz auf Schäden und Risse. Wenn Trimmerkopf oder Trimmerschutz Risse haben oder Schlägen



ausgesetzt gewesen sind, müssen sie ausgetauscht werden. Verwenden Sie stets den empfohlenen Schutz für die jeweilige Schneidusrüstung. Siehe Kapitel Technische Daten.

- Der Bediener des Geräts hat darauf zu achten, dass während der Arbeit keine Menschen oder Tiere näher als 15 m an herankommen. Wenn mehrere Bediener am gleichen Einsatzort tätig sind, muss der Sicherheitsabstand mindestens 15 Meter betragen.
- Führen Sie vor dem Gebrauch des Geräts eine Gesamtüberprüfung durch. Siehe Wartungsplan.
- Nationale oder regionale Bestimmungen regeln ggf. die Verwendung. Beachten Sie die jeweils gültigen Bestimmungen.

### Sicherheit im Arbeitsbereich

- **Sorgen Sie für einen sauberen und gut ausgeleuchteten Arbeitsbereich.** Durch zugestellte oder dunkle Arbeitsbereiche steigt die Unfallgefahr stark an.
- **Betreiben Sie Elektrowerkzeuge niemals an Orten, an denen Explosionsgefahr besteht, z. B. in der Nähe von leicht entzündlichen Flüssigkeiten, Gasen oder Staubsammlungen.** Bei der Arbeit mit Elektrowerkzeugen kann es zu Funkenbildung kommen, wodurch sich Staub oder Dämpfe entzünden können.
- **Sorgen Sie bei der Arbeit mit Elektrowerkzeugen dafür, dass sich keine Kinder oder unbefugte Personen in der Nähe befinden.** Durch Ablenkungen können Sie die Kontrolle über das Werkzeug verlieren.

### Elektrische Sicherheit

- **Die Netzstecker von Elektrowerkzeugen müssen zur Steckdose passen. Der Netzstecker darf in keiner Weise verändert werden. Verwenden Sie bei Elektrowerkzeugen mit Schutzkontakt (geerdet) niemals Adapterstecker.** Nicht modifizierte Stecker und Steckdosen reduzieren das Risiko eines Elektroschocks.
- **Vermeiden Sie Körperkontakt mit geerdeten Gegenständen wie Rohrleitungen, Heizungen, Herden oder Kühlschränken.** Bei Körperkontakt mit geerdeten Gegenständen besteht ein erhöhtes Stromschlagrisiko.
- **Setzen Sie Elektrowerkzeuge niemals Regen oder sonstiger Feuchtigkeit aus.** Wenn Wasser in ein Elektrowerkzeug eindringt, erhöht sich das Stromschlagrisiko.
- **Verwenden Sie das Anschlusskabel nicht missbräuchlich. Verwenden Sie das Anschlusskabel niemals zum Tragen oder Heranziehen des Elektrowerkzeugs, und ziehen Sie den Stecker nicht am Anschlusskabel aus der Steckdose. Halten Sie das Kabel fern von Hitzequellen, Öl, scharfen Kanten und beweglichen Teilen.** Beschädigte oder verdrehte Anschlusskabel erhöhen das Stromschlagrisiko.

- **Wenn Sie ein Elektrowerkzeug im Freien benutzen, verwenden Sie ein für den Außeneinsatz geeignetes Verlängerungskabel.** Die Verwendung eines für den Außeneinsatz geeigneten Kabels verringert das Risiko eines Stromschlags.
- **Falls der Einsatz eines Elektrowerkzeugs in einer feuchten Umgebung nicht zu vermeiden ist, benutzen Sie eine Stromversorgung mit FI-Schutzschalter (RCD).** Die Verwendung einer Fehlerstrom-Schutzeinrichtung (RCD) verringert das Risiko eines elektrischen Schlags.

### Persönliche Sicherheit

- **Bleiben Sie aufmerksam, achten Sie auf das, was Sie tun, und setzen Sie gesunden Menschenverstand ein, wenn Sie mit Elektrowerkzeugen arbeiten. Benutzen Sie keine Elektrowerkzeuge, wenn Sie müde sind oder unter dem Einfluss von Drogen, Alkohol oder Medikamenten stehen.** Bei der Arbeit mit Elektrowerkzeugen können bereits kurze Phasen der Unaufmerksamkeit zu schweren Verletzungen führen.
- **Benutzen Sie eine persönliche Schutzausrüstung. Tragen Sie stets einen Augenschutz.** Schutzausrüstung wie Atemschutzmaske, rutschsichere Sicherheitsschuhe, Schutzhelm und Gehörschutz senkt bei angemessenem Einsatz das Verletzungsrisiko.
- **Vermeiden Sie ein versehentliches Starten. Achten Sie darauf, dass sich der Schalter in der Aus-Stellung befindet, bevor Sie das Elektrowerkzeug an die Stromversorgung und/oder den Akku anschließen oder es hochheben oder herumtragen.** Durch Herumtragen von Elektrowerkzeugen mit dem Finger am Schalter und das Einstecken des Steckers bei betätigtem Schalter steigt das Unfallrisiko stark an.
- **Entfernen Sie sämtliche Einstellschlüssel, bevor Sie das Elektrowerkzeug einschalten.** Ein an einem beweglichen Teil des Elektrowerkzeugs angebrachter Schlüssel kann zu Verletzungen führen.
- **Sorgen Sie für einen festen Stand. Achten Sie jederzeit darauf, sicher zu stehen und das Gleichgewicht zu bewahren.** Dadurch haben Sie das Elektrowerkzeug in unerwarteten Situationen besser im Griff.
- **Kleiden Sie sich richtig. Tragen Sie niemals lose sitzende Kleidung oder Schmuck. Halten Sie Haar und Kleidung von beweglichen Teilen fern.** Lose Kleidung, Schmuck oder langes Haar kann von beweglichen Teilen erfasst werden.
- **Wenn Anschlüsse für Staubabsaug- und Staubsammelvorrichtungen vorhanden sind, sorgen Sie dafür, dass diese richtig angeschlossen und eingesetzt werden.** Die Verwendung von Staubsammelvorrichtungen vermindert durch Staub verursachte Gefahren.

- **Lassen Sie nicht zu, dass Sie wegen Vertrautheit durch häufige Verwendung der Werkzeuge selbstgefällig werden und die Sicherheitsgrundsätze der Werkzeuge ignorieren.** Eine achtlose Handlung kann im Bruchteil einer Sekunde zu schweren Verletzungen führen.
- Die Vibrationsemissionen während der tatsächlichen Verwendung des Elektrowerkzeugs können abhängig von der Verwendungsart des Werkzeugs vom angegebenen Gesamtwert abweichen. Bediener sollten Sicherheitsmaßnahmen für den eigenen Schutz ergreifen, die auf einer Beurteilung der Exposition unter tatsächlichen Nutzungsbedingungen beruht. Dabei sind alle Teile des Betriebszyklus zu berücksichtigen, z. B. abgesehen vom Gashebelbetrieb, die Zeiten, wenn das Werkzeug ausgeschaltet ist und wenn es im Leerlauf betrieben wird.

## Verwendung und Pflege von Elektrowerkzeugen

- **Überbeanspruchen Sie Elektrowerkzeuge nicht. Benutzen Sie das richtige Elektrowerkzeug für Ihren Einsatzzweck.** Das richtige Elektrowerkzeug erledigt seine Arbeit bei bestimmungsgemäßigem Einsatz besser und sicherer.
- **Benutzen Sie das Elektrowerkzeug nicht, wenn es sich nicht am Schalter ein- und ausschalten lässt.** Jedes Elektrowerkzeug, das nicht mit dem Schalter betätigt werden kann, stellt eine Gefahr dar und muss repariert werden.
- **Trennen Sie das Elektrowerkzeug von der Stromversorgung, bzw. entfernen Sie den Akku, bevor Sie Einstellungen vornehmen, Zubehörteile austauschen oder das Elektrowerkzeug verstauen.** Solche präventiven Sicherheitsmaßnahmen verhindern den unbeabsichtigten Start des Elektrowerkzeugs.
- **Lagern Sie nicht benutzte Elektrowerkzeuge außerhalb der Reichweite von Kindern, und lassen Sie nicht zu, dass Personen das Elektrowerkzeug bedienen, die nicht mit dem Werkzeug selbst und/oder diesen Anweisungen vertraut sind.** Elektrowerkzeuge stellen in ungeschulten Händen eine Gefahr dar.
- **Warten Sie Elektrowerkzeuge und Zubehör. Prüfen Sie auf Fehlausrichtungen, sicheren Halt und Leichtgängigkeit beweglicher Teile, Beschädigungen von Teilen sowie auf jegliche andere Zustände, die sich auf den Betrieb des Elektrowerkzeugs auswirken können. Bei Beschädigungen lassen Sie das Elektrowerkzeug reparieren, bevor Sie es benutzen.** Viele Unfälle mit Elektrowerkzeugen sind auf schlechte Wartung zurückzuführen.
- **Halten Sie Schneidwerkzeuge scharf und sauber.** Ordnungsgemäß gewartete Schneidwerkzeuge mit scharfen Schneidkanten bleiben seltener hängen und sind einfacher zu bedienen.
- **Benutzen Sie Elektrowerkzeuge, Zubehör, Werkzeugeinsätze und Ähnliches in Übereinstimmung mit diesen Anweisungen und auf die für das jeweilige Elektrowerkzeug bestimmungsgemäße Weise, und beachten Sie dabei die jeweiligen Arbeitsbedingungen und die Art der auszuführenden Arbeiten.** Der Einsatz eines Elektrowerkzeugs für Zwecke, die von den hier angegebenen abweichen, kann zu Gefahrensituationen führen.
- **Halten Sie die Handgriffe und Griffflächen trocken, sauber und frei von Öl und Fett.** Wenn Handgriffe und Griffflächen rutschig sind, kann das Werkzeug in unerwarteten Situationen nicht sicher bedient und kontrolliert werden.

## Verwendung und Pflege von akkubetriebenen Werkzeugen

- **Eine Aufladung darf nur mit dem vom Hersteller vorgeschriebenen Ladegerät durchgeführt werden.** Durch ein für einen bestimmten Akkutyp geeignetes Ladegerät kann Brandgefahr entstehen, wenn es für einen anderen Akku verwendet wird.
- **Verwenden Sie Geräte nur mit speziell für sie ausgezeichneten Akkus.** Die Verwendung anderer Akkus kann zu Verletzungs- und Brandgefahr führen.
- **Wird der Akku nicht verwendet, halten Sie ihn von Metallgegenständen wie Büroklammer, Münzen, Schlüsseln, Nägeln, Schrauben oder anderen kleineren Metallobjekten fern, da es zu einer Überbrückung der Kontakte kommen könnte.** Durch Kurzschluss der Akkuklemmen kann es zu Verbrennungen oder Bränden kommen.
- **Unter missbräuchlichen Bedingungen kann Flüssigkeit aus dem Akku austreten; vermeiden Sie Kontakt damit. Bei versehentlichem Hautkontakt sofort mit Wasser abspülen. Sollten Ihre Augen damit in Berührung gekommen sein, suchen Sie sofort ärztliche Hilfe auf.** Durch austretende Flüssigkeit aus dem Akku kann es zu Reizungen oder Verbrennungen kommen.
- **Verwenden Sie keinen Akku und kein Werkzeug, der bzw. das defekt ist oder modifiziert wurde.** Beschädigte oder modifizierte Akkus können ein unvorhersehbares Verhalten aufweisen, welches zu Feuer, Explosionen oder Verletzungsgefahren führen kann.
- **Setzen Sie Akku oder Werkzeug niemals Feuer oder sehr hohen Temperatur aus.** Feuer oder eine Temperatur über 130 °C kann zu einer Explosion führen.
- **Befolgen Sie die Ladeanweisungen und laden Sie den Akku oder das Werkzeug niemals bei Temperaturen außerhalb den in der Anleitung angegebenen Temperaturbereichen auf.** Unsachgemäßes Aufladen oder Aufladen bei Temperaturen außerhalb des angegebenen Bereichs kann den Akku beschädigen und die Brandgefahr erhöhen.

## Service

- **Lassen Sie das Elektrowerkzeug von einem qualifizierten Fachmann reparieren, und bestehen Sie darauf, dass nur Originalersatzteile verwendet werden.** Auf diese Weise wird dafür gesorgt, dass die Sicherheit des Elektrowerkzeugs nicht beeinträchtigt wird.
- **Warten Sie niemals beschädigte Akkus.** Akkus dürfen nur vom Hersteller oder von autorisierten Serviceanbietern gewartet werden.

## Arbeiten Sie stets mit gesundem Menschenverstand!

Es ist unmöglich, hier alle denkbaren Situationen zu beschreiben. Stets vorsichtig vorgehen und mit gesundem Menschenverstand arbeiten. Vermeiden Sie Situationen, denen Sie sich nicht gewachsen fühlen. Wenn Sie sich nach dem Lesen dieser Anweisungen immer noch unsicher fühlen, wie Sie vorgehen sollen, bitten Sie einen Fachmann um Rat, bevor Sie fortfahren.



**WARNUNG:** Erlauben Sie niemals Kindern, das Gerät zu benutzen oder sich in seiner Nähe aufzuhalten. Da das Gerät leicht zu starten ist, könnten auch Kinder bei unzureichender Aufsicht in der Lage sein, das Gerät zu starten. Dies kann zu schweren Verletzungen führen. Daher stets den Akku entfernen, wenn das Gerät unbeaufsichtigt ist.

## Allgemeine Sicherheitshinweise



**WARNUNG:** Lesen Sie die folgenden Warnhinweise, bevor Sie das Gerät verwenden.

- Entnehmen Sie den Akku, um den versehentlichen Start des Geräts zu verhindern.
- Dieses Gerät ist ein gefährliches Werkzeug, wenn Sie nicht aufpassen oder es unsachgemäß verwenden. Dieses Gerät kann schwere oder tödliche Verletzungen des Bedieners oder anderer Personen verursachen.
- Verwenden Sie das Gerät nicht, wenn es nicht mehr der ursprünglichen Spezifikation entspricht. Ändern Sie kein Teil des Geräts ohne Genehmigung des Herstellers. Verwenden Sie nur Teile, die vom Hersteller genehmigt wurden. Eine falsche Wartung kann zu schweren bis tödlichen Verletzungen führen.
- Überprüfen Sie das Gerät vor dem Gebrauch. *Siehe Kontrolle vor dem Start auf Seite 72 und Bevor Sie das Gerät in Betrieb nehmen auf Seite 80.* Verwenden Sie das Gerät nicht, wenn es beschädigt ist oder nicht ordnungsgemäß funktioniert. Führen Sie die in dieser Bedienungsanweisung beschriebenen Kontroll-, Wartungs- und Serviceanweisungen durch.

- Lassen Sie keine Kinder mit dem Gerät spielen. Das Gerät ist kein Spielzeug! Kinder oder nicht im Gebrauch des Geräts und/oder des Akkus geschulte Personen dürfen das Gerät bzw. den Akku weder bedienen noch warten. Unter Umständen gelten gesetzlich vorgeschriebene Altersbeschränkungen.
- Bewahren Sie das Gerät in einem verschlossenen Bereich auf, um einen unerlaubten Zugriff durch Kinder oder andere Personen zu verhindern.
- Bewahren Sie das Gerät für Kinder unzugänglich auf.
- Unter keinen Umständen darf die ursprüngliche Konstruktion des Geräts ohne Genehmigung des Herstellers geändert werden. Verwenden Sie immer Originalzubehör. Unzulässige Änderungen und/oder unzulässiges Zubehör können zu schweren oder sogar tödlichen Verletzungen des Bedieners und anderer Personen führen.

**Hinweis:** Nationale oder regionale Gesetze regeln ggf. die Verwendung. Beachten Sie die jeweils gültigen Bestimmungen.

## Sicherheitshinweise für den Betrieb



**WARNUNG:** Lesen Sie die folgenden Warnhinweise, bevor Sie das Gerät benutzen.

- **Verwenden Sie das Gerät nicht bei schlechten Wetterverhältnissen, insbesondere dann, wenn das Risiko eines Blitzeinschlags besteht.** Dadurch wird die Gefahr eines Blitzeinschlags reduziert.
- **Untersuchen Sie den Bereich, in dem das Gerät eingesetzt werden soll, sorgfältig auf Tiere.** Tiere können während des Betriebs durch das Gerät verletzt werden.
- **Inspizieren Sie sorgfältig das Gelände, in dem das Gerät eingesetzt werden soll, und entfernen Sie alle losen Gegenstände wie Steine, Stöcke, Kabel, Knochen und sonstige Fremdojekte.** Weggeschleuderte Gegenstände können schwere Verletzungen verursachen.
- **Unterziehen Sie das Gerät vor dem Einsatz stets einer Sichtprüfung, um sicherzustellen, dass Schneidwerk und Schneidwerk-Baugruppe nicht beschädigt sind.** Beschädigte Teile erhöhen das Verletzungsrisiko.
- **Nehmen Sie keine Veränderungen an den Schutzvorrichtungen vor. Die Schutzvorrichtungen müssen funktionstüchtig und ordnungsgemäß angebracht sein.** Eine lose, beschädigte oder nicht ordnungsgemäß funktionierende Schutzvorrichtung kann zu Verletzungen führen.
- **Halten Sie alle Kühllufteinlässe frei von Verunreinigungen.** Verstopfte Luftpfeile und Verunreinigungen können zu Überhitzung oder Brandgefahr führen.

- **Tragen Sie einen Augen- und einen Gehörschutz.** Eine angemessene Schutzausrüstung reduziert Verletzungen.
- **Tragen Sie beim Betrieb des Geräts stets rutschfeste Sicherheitsschuhe. Bedienen Sie das Gerät nicht barfuß oder mit Sandalen.** Dadurch wird die Gefahr von Verletzungen an den Füßen durch Kontakt mit dem beweglichen Schneidwerk verringert.
- **Tragen Sie beim Betrieb des Geräts stets Hosen, die die Beine bedecken.** Der Kontakt mit dem rotierenden Schneidwerk oder Faden kann zu Verletzungen führen.
- **Achten Sie beim Betrieb des Geräts darauf, dass sich keine umstehenden Personen in Ihrer Nähe befinden.** Weggeschleuderte Pflanzenteile können schwere Verletzungen verursachen.
- **Betreiben Sie das Gerät nicht über Hüfthöhe.** Auf diese Weise vermeiden Sie unbeabsichtigten Kontakt mit dem Schneidwerk und können das Gerät in unerwarteten Situationen besser kontrollieren.
- **Bei Einsatz des Geräts auf nassem Gras ist besondere Vorsicht geboten. Gehen Sie, auf keinen Fall dürfen Sie laufen.** So wird die Gefahr des Wegrutschens oder Stürzens verringert, wodurch Verletzungen entstehen können.
- **Betreiben Sie das Gerät nicht an übermäßig steilen Hängen.** Dadurch wird die Gefahr des Kontrollverlusts, Wegrutschens oder Stürzens, wodurch Verletzungen entstehen können, verringert.
- **Achten Sie bei Arbeiten an Hängen immer auf festen Stand, arbeiten Sie immer quer zum Hang, niemals auf und ab, und gehen Sie beim Richtungswechsel mit äußerster Vorsicht vor.** So wird die Gefahr des Kontrollverlusts, des Wegrutschens oder Stürzens, wodurch Verletzungen entstehen können, verringert.
- **Halten Sie stromführende Kabel vom Schneidbereich fern.** In Hecken oder Büschen können stromführende Kabel verlaufen, die versehentlich mit Faden oder Schneidwerk in Berührung kommen und so durchgeschnitten oder beschädigt werden können.
- **Halten Sie alle Körperteile vom rotierenden Trimmer-Schneidwerk oder Faden fern. Entfernen Sie kein Material vom Gerät, solange es noch mit dem Stromnetz verbunden ist.** Das rotierende Trimmer-Schneidwerk bzw. der rotierende Faden kann zu schweren Verletzungen führen.
- **Tragen Sie das Gerät nur in ausgeschaltetem Zustand und weg vom Körper.** Durch den ordnungsgemäßen Umgang mit dem Gerät wird die Wahrscheinlichkeit eines versehentlichen Kontakts mit einem rotierenden Trimmer-Schneidwerk bzw. rotierenden Faden verringert.
- **Verwenden Sie ausschließlich vom Hersteller angegebene Ersatz-Schneidköpfe, -Trimmer-Schneidwerke oder -Fäden. Ersetzen Sie die Trimmer-Schneidwerke oder -Fäden nicht durch Metalldrähte oder -klingen.** Nicht ordnungsgemäße

Ersatzteile können zu Kontrollverlust, Brüchen und Verletzungen führen.

## Persönliche Schutzausrüstung



**WARNUNG:** Lesen Sie die folgenden Warnhinweise, bevor Sie das Gerät benutzen.

- Verwenden Sie stets die vorgeschriebene persönliche Schutzausrüstung bei der Benutzung des Geräts. Die persönliche Schutzausrüstung kann Verletzungen nicht vollständig vermeiden, vermindert aber den Umfang der Verletzungen und Schäden bei einem Unfall. Lassen Sie sich bei der Auswahl der richtigen Ausrüstung von Ihrem Händler beraten.
- Tragen Sie einen zugelassenen Gehörschutz.

(Abb. 17)

- Tragen Sie einen zugelassenen Augenschutz. Bei der Benutzung eines Visiers ist außerdem eine zugelassene Schutzbrille zu tragen. Zugelassene Schutzbrillen müssen die Normen ANSI Z87.1 für die USA bzw. EN 166 für EU-Länder erfüllen.

(Abb. 18)

- Tragen Sie bei Bedarf Schutzhandschuhe, beispielsweise bei der Montage, der Untersuchung oder der Reinigung der Schneidausrüstung.

(Abb. 19)

- Tragen Sie Schutzstiefel mit Stahlkappen und rutschfesten Sohlen.

(Abb. 20)

- Tragen Sie Kleidung aus reißfestem Material. Tragen Sie stets lange Hosen aus schwerem Stoff und lange Ärmel. Tragen Sie keine weite Kleidung, die sich leicht an Ästen und Zweigen verfangen könnte. Tragen Sie keinen Schmuck, kurze Hosen oder Sandalen. Gehen Sie nicht barfuß. Binden Sie Ihre Haare sicherheitshalber zusammen, so dass sie nicht über Ihre Schultern fallen.
- Eine Erste-Hilfe-Ausrüstung sollte stets griffbereit sein.

(Abb. 21)

## Sicherheitsvorrichtungen am Gerät



**WARNUNG:** Lesen Sie die folgenden Warnhinweise, bevor Sie das Gerät verwenden.

In diesem Abschnitt werden einzelnen Teile der Sicherheitsausrüstung des Gerätes beschrieben, welche Funktion sie haben und wie ihre Kontrolle und Wartung ausgeführt werden sollen, um sicherzustellen, dass sie funktionsfähig sind. Unter der Überschrift *Einleitung auf Seite 71* finden Sie Angaben zur Position der Teile an Ihrem Gerät.

Die Lebensdauer des Geräts kann verkürzt werden und die Unfallgefahr kann steigen, wenn die Wartung des Geräts nicht ordnungsgemäß und Service und/oder Reparaturen nicht fachmännisch ausgeführt werden. Wenden Sie sich für weitere Informationen an Ihre Vertragswerkstatt.



**WARNUNG:** Benutzen Sie kein Gerät mit defekten Sicherheitsvorrichtungen. Die Sicherheitsausrüstung des Gerätes muss so kontrolliert und gewartet werden, wie dies in diesem Abschnitt beschrieben wird. Wenn Ihr Gerät diesen Anforderungen nicht entspricht, muss eine Servicewerkstatt aufgesucht werden.



**ACHTUNG:** Service und Reparatur des Gerätes erfordern eine Spezialausbildung. Dies gilt besonders für die Sicherheitsausrüstung des Geräts. Wenn Ihr Gerät den unten aufgeführten Kontrollanforderungen nicht entspricht, müssen Sie Ihre Servicewerkstatt aufsuchen. Beim Kauf eines unserer Geräte wird gewährleistet, dass Reparatur- oder Servicearbeiten fachmännisch ausgeführt werden. Sollte der Verkäufer Ihres Gerätes nicht an unser Fachhändler-Service-Netz angeschlossen sein, fragen Sie nach unserer nächstgelegenen Servicewerkstatt.

#### So prüfen Sie die Tastatur

1. Drücken Sie die Start-/Stopptaste (A), und halten Sie sie gedrückt. (Abb. 22)
  - a) Das Gerät ist eingeschaltet, wenn die LED (B) leuchtet.
  - b) Das Gerät ist ausgeschaltet, wenn die LED (B) aus ist.
2. Lesen Sie *Bedienpanel auf Seite 83*, wenn die Warnanzeige (C) leuchtet oder blinkt.

#### So prüfen Sie die Gashebelsperre

Die Gashebelsperre verhindert versehentliches Starten. Wenn Sie die Gashebelsperre (A) drücken, wird der Gashebel (B) freigegeben. Wenn Sie den Handgriff loslassen, kehren Gashebel und Gashebelsperre wieder in ihre Ausgangsstellung zurück. (Abb. 23)

1. Stellen Sie sicher, dass der Gashebel gesperrt ist, wenn sich die Gashebelsperre in der Ausgangsstellung befindet. (Abb. 24)
2. Drücken Sie den Gashebel und kontrollieren Sie, ob er beim Loslassen in die Ausgangsstellung zurückkehrt. (Abb. 25)
3. Stellen Sie sicher, dass sich der Gashebel und die Gashebelsperre frei bewegen können und dass die Rückstellfeder richtig funktioniert. (Abb. 26)

4. Starten Sie das Gerät. Siehe *So starten Sie das Gerät auf Seite 81*.
5. Wenden Sie die volle Leistung an.
6. Lassen Sie den Gashebel los, und stellen Sie sicher, dass die Schneidausrüstung vollständig stoppt.

#### So prüfen Sie die Schutzvorrichtung der Schneidausrüstung



**WARNUNG:** Verwenden Sie keine Schneidausrüstung ohne eine zugelassene und ordnungsgemäß befestigte Schutzvorrichtung. Verwenden Sie stets die empfohlene Schutzvorrichtung für die Schneidausrüstung, die Sie benutzen, siehe *Technische Angaben auf Seite 86*. Wenn eine falsche oder defekte Schutzvorrichtung montiert wird, können dadurch schwere Verletzungen verursacht werden.

Der Schutz für die Schneidausrüstung stoppt Objekte, die in die Richtung des Bedieners geschleudert werden. Der Schutz für die Schneidausrüstung verhindert außerdem Verletzungen durch Berühren der Schneidausrüstung.

1. Halten Sie den Motor an.
2. Führen Sie eine Sichtkontrolle auf Beschädigungen (z. B. Risse) durch.
3. Tauschen Sie den Schutz für die Schneidausrüstung aus, wenn er beschädigt ist.

#### Schneidausrüstung

Wählen Sie die richtige Schneidausrüstung und warten sie diese, um:

- Maximale Schnittleistung zu erreichen,
- Die Lebensdauer der Schneidausrüstung zu erhöhen.



**WARNUNG:** Die Schneidausrüstung immer nur mit dem von uns empfohlenen Schutz verwenden! Siehe *Technische Angaben auf Seite 86*. Informationen zum korrekten Einlegen des Trimmerfadens und zur Wahl des richtigen Fadendurchmessers finden Sie in den Anweisungen für die Schneidausrüstung.



**WARNUNG:** Eine beschädigte Schneidausrüstung kann die Unfallgefahr erhöhen.



**WARNUNG:** Stellen Sie den Motor immer ab, bevor Arbeiten an der Schneidausrüstung ausgeführt werden. Sie dreht weiter, nachdem Sie den Gashebel loslassen. Stellen Sie sicher, dass die

Schneidausrüstung völlig stillsteht. Ziehen Sie die Zündkappe ab, bevor Sie mit der Arbeit an der Schneidausrüstung beginnen.

### Trimmerkopf



**WARNUNG:** Achten Sie stets darauf, dass der Trimmerfaden fest und gleichmäßig auf die Rolle gewickelt wird, um gesundheitsschädliche Vibrationen zu vermeiden.

(Abb. 27)

- Verwenden Sie nur empfohlene Trimmerköpfe und -fäden.
- Benutzen Sie nur empfohlene Schneidausrüstung.
- Ein kleineres Gerät erfordert kleine Trimmerköpfe und umgekehrt.
- Die Länge des Trimmerfadens ist wichtig. Bei gleichem Fadendurchmesser erfordert ein längerer Trimmerfaden eine größere Motorleistung als ein kurzer.
- Achten Sie darauf, dass das Messer am Trimmerschutz intakt ist. Dieses schneidet den Trimmerfaden auf die richtige Länge.
- Weichen Sie den Trimmerfaden vor der Verwendung für einige Tage in Wasser ein, um die Lebensdauer zu erhöhen.

### Sicherer Umgang mit Akkus



**WARNUNG:** Lesen Sie die folgenden Warnhinweise, bevor Sie das Gerät verwenden.

- Verwenden Sie nur Akkus der BLi-Serie und der 40-B-Serie. Weitere Informationen finden Sie unter *Technische Angaben auf Seite 86*. Der Akku verfügt über eine Softwareverschlüsselung.
- Verwenden Sie als Stromversorgung für die zugehörigen Husqvarna Geräte nur wiederaufladbare Akkus der BLi-Serie und der 40-B-Serie. Um Verletzungen zu vermeiden, verwenden Sie den Akku nicht zur Energieversorgung anderer Geräte.
- Es besteht die Gefahr von elektrischen Schlägen. Verbinden Sie die Akkuklemmen nicht mit Schlüsseln, Münzen, Schrauben oder anderen metallischen Gegenständen. Dadurch kann es zu einem Kurzschluss des Akkus kommen.
- Verwenden Sie keine nicht aufladbaren Akkus.
- Legen Sie keine Gegenstände in die Luftschlitze des Akkus.
- Halten Sie den Akku von direkter Sonneneinstrahlung, Hitze oder offenem Feuer fern. Der Akku kann Verbrennungen und/oder chemische Verätzungen verursachen.

- Halten Sie den Akku von Regen und Feuchtigkeit fern.
- Halten Sie den Akku von Mikrowellen und hohem Druck fern.
- Versuchen Sie nicht, den Akku zu zerlegen oder aufzubrechen.
- Wenn aus dem Akku Flüssigkeit austritt, vermeiden Sie Haut- oder Augenkontakt mit dieser. Sollten Sie dennoch mit der Flüssigkeit in Berührung gekommen sein, reinigen Sie den Bereich mit ausreichend Wasser und Seife und suchen Sie medizinische Hilfe auf. Sollte Flüssigkeit in Ihre Augen gelangen, reiben Sie diese nicht, sondern spülen Sie sie mindestens 15 Minuten lang mit reichlich Wasser aus, und suchen Sie anschließend einen Arzt auf.
- Der Akku darf nur bei Temperaturen zwischen -10 °C (14 °F) und 40 °C (114 °F) verwendet werden.
- Reinigen Sie weder den Akku noch das Ladegerät mit Wasser. Siehe *So reinigen Sie das Gerät, den Akku und das Ladegerät auf Seite 83*.
- Verwenden Sie keine fehlerhaften oder beschädigten Akkus.
- Lagern Sie Akkus getrennt von Metallgegenständen wie Nägeln, Schrauben oder Schmuck.
- Halten Sie den Akku fern von Kindern.

### Sicherer Umgang mit dem Ladegerät



**WARNUNG:** Lesen Sie die folgenden Warnhinweise, bevor Sie das Gerät verwenden.

- Gefahr von elektrischen Schlägen oder Kurzschluss, wenn die Sicherheitshinweise nicht beachtet werden.
- Verwenden Sie nur das mitgelieferte Ladegerät für Ihr Gerät. Verwenden Sie zum Laden von Ersatzakkus der BLi-Serie und der 40-B-Serie ausschließlich Ladegeräte vom Typ QC80 und 40-C80.
- Das Ladegerät nicht zerlegen.
- Verwenden Sie keine fehlerhaften oder beschädigten Ladegeräte.
- Heben Sie das Ladegerät nicht am Netzkabel an. Um das Ladegerät von der Steckdose zu trennen, ziehen Sie am Netzstecker. Ziehen Sie nicht am Netzkabel.
- Achten Sie darauf, dass keines der Kabel und Verlängerungskabel mit Wasser, Öl oder scharfen Kanten in Berührung kommt. Achten Sie darauf, dass Kabel nicht zwischen Objekten, z. B. Türen, Zäunen o. Ä., eingeklemmt werden.
- Das Ladegerät darf nicht in der Nähe von entflammaren Materialien oder Materialien, die Korrosion verursachen können, verwendet werden. Vergewissern Sie sich, dass das Ladegerät nicht abgedeckt ist. Bei Rauchentwicklung oder Feuer muss der Stecker des Ladegeräts sofort aus der Steckdose gezogen werden.

- Laden Sie den Akku nur in geschlossenen Räumen an einem Ort mit guter Luftzirkulation und ohne direkte Sonneneinstrahlung. Laden Sie den Akku nicht im Freien. Auf keinen Fall Akkus in feuchter Umgebung laden.
- Verwenden Sie das Ladegerät nur bei mit einer Temperatur zwischen 5 °C (41 °F) und 40 °C (104 °F). Verwenden Sie das Ladegerät nur in einer gut belüfteten, trockenen und staubfreien Umgebung.
- Legen Sie keine Gegenstände in die Kühlschlitze des Ladegeräts.
- Verbinden Sie die Anschlüsse des Ladegeräts niemals mit Metallgegenständen. Dies kann zu einem Kurzschluss im Ladegerät führen.
- Nutzen Sie zugelassene Steckdosen, die nicht beschädigt sind. Stellen Sie sicher, dass das Kabel des Ladegeräts nicht beschädigt ist. Wenn Verlängerungskabel verwendet werden, stellen Sie sicher, dass diese nicht beschädigt sind.
- Setzen Sie keine nicht wiederaufladbaren Akkus in das Ladegerät ein.
- Entfernen Sie vor Wartungs-, Kontroll- oder Montagearbeiten den Akku.
- Der Bediener darf nur die Wartungs- und Servicearbeiten ausführen, die in dieser Bedienungsanleitung beschrieben sind. Für darüber hinausgehende Wartungs- und Servicearbeiten wenden Sie sich bitte an Ihren Servicehändler.
- Reinigen Sie weder den Akku noch das Ladegerät mit Wasser. Starke Reiniger können den Kunststoff beschädigen.
- Wenn Wartungsarbeiten nicht durchgeführt werden, verringert sich die Lebensdauer des Geräts und die Unfallgefahr steigt.
- Für alle Service- und Reparaturarbeiten, insbesondere an den Sicherheitsvorrichtungen des Geräts, ist eine spezielle Schulung erforderlich. Wenn nach Durchführung der Wartungsarbeiten nicht alle in dieser Bedienungsanleitung beschriebenen Prüfungen mit positivem Ergebnis ausfallen, wenden Sie sich an Ihren Servicehändler. Wir garantieren Ihnen, dass für Ihr Gerät professionelle Service- und Reparaturdienste verfügbar sind.
- Nur Original-Ersatzteile verwenden.

## Sicherheitshinweise für die Wartung



**WARNUNG:** Lesen Sie die folgenden Warnhinweise, bevor Sie das Gerät warten.

## Montage

### Einleitung



**WARNUNG:** Lesen Sie vor der Montage des Geräts das Kapitel über Sicherheit, und machen Sie sich damit vertraut.

### So bringen Sie den Trimmerschutz an

1. Setzen Sie den Trimmerschutz auf das Motorgehäuse. (Abb. 28).
2. Installieren Sie die Schraube durch das Motorgehäuse und den Trimmerschutz. (Abb. 29)
3. Ziehen Sie die Schraube fest.

### So montieren Sie den Trimmerkopf

1. Drehen Sie die Abtriebswelle, bis sich das Loch des Mitnehmersrads mit dem entsprechenden Loch im Getriebegehäuse deckt.
2. Stecken Sie den Sperrstift in das Loch, sodass die Welle fixiert ist.
3. Drehen Sie den Trimmerkopf gegen den Uhrzeigersinn. (Abb. 30)

### So montieren Sie den Loophandgriff

1. Führen Sie die Schraube in den Loophandgriff ein. (Abb. 31)
2. Befestigen Sie den Loophandgriff am Anbauteil am Führungsrohr.
3. Ziehen Sie die Schrauben an.
4. Stellen Sie den Loophandgriff auf die richtige Position ein. Siehe *So stellen Sie den Loophandgriff und den Teleskopschaft ein auf Seite 81.*

### So installieren Sie den Pflanzenschutz

1. Installieren Sie den Pflanzenschutz in den Löchern am Motorgehäuse. (Abb. 32)
2. Stellen Sie sicher, dass sich der Pflanzenschutz frei nach vorn und hinten bewegen kann. (Abb. 33)

### So installieren Sie das Ladegerät (40-C80) an der Wand



**ACHTUNG:** Verwenden Sie keinen Akkuschrauber, um das Ladegerät an der Wand zu installieren. Ein Akkuschrauber kann das Ladegerät beschädigen.

1. Befestigen Sie das Ladegerät mit den zwei Schrauben (B) an der Wand. Verwenden Sie bei Bedarf Dübel (A). (Abb. 34)

2. Setzen Sie die beiden Bohrlochstopfen (C) ein.
3. Schließen Sie das Netzkabel an das Ladegerät und an eine Steckdose an.

## Betrieb

### Einleitung



**WARNUNG:** Lesen Sie vor Gebrauch des Geräts das Kapitel über Sicherheit, und machen Sie sich damit vertraut.

### Bevor Sie das Gerät in Betrieb nehmen

- Untersuchen Sie den Arbeitsbereich, um sicherzustellen, dass Sie sich mit der Beschaffenheit des Geländes auskennen. Überprüfen Sie das Bodengefälle, und achten Sie auf Hindernisse wie Steine, Äste und Löcher.
- Unterziehen Sie das Gerät einer allgemeinen Inspektion.
- Führen Sie Sicherheitskontrollen, Wartungen und Servicemaßnahmen durch, die in dieser Betriebsanleitung beschrieben sind.
- Prüfen Sie den Motor auf Verschmutzung und Risse. Verwenden Sie eine Bürste, um den Motor von Gras und Laub zu reinigen. Verwenden Sie Handschuhen, falls notwendig.
- Überprüfen Sie den Trimmerkopf und die Schutzvorrichtung für die Schneidusrüstung auf Beschädigungen oder Risse. Ersetzen Sie den Trimmerkopf und die Schutzvorrichtung für die Schneidusrüstung bei Beschädigungen oder Rissen.
- Stellen Sie sicher, dass alle Muttern und Schrauben fest angezogen sind.

- Stellen Sie sicher, dass alle Abdeckungen, Schutzvorrichtungen, Griffe und das Schneidwerk richtig montiert und nicht beschädigt sind, bevor Sie das Gerät starten.

### Akku



**WARNUNG:** Lesen Sie vor Gebrauch des Akkus das Kapitel über Sicherheit, und machen Sie sich damit vertraut. Lesen Sie außerdem die Bedienungsanleitung für den Akku und das Ladegerät, und machen Sie sich damit vertraut.

Sorgen Sie für die richtigen Umgebungstemperaturen von Akku und Ladegerät.

	Umgebungstemperatur
Betrieb des Akkus	5 °C-40 °C/41 °F-104 °F
Laden des Akkus	5 °C-40 °C/41 °F-104 °F

### Akkuladezustand

Auf dem Display werden der Ladezustand und eventuelle Störungen des Akkus angezeigt.

(Abb. 35)

LED-Anzeigelampe	Akkustatus (Ladezustand)	
	BLi10, BLi20	40-B70, 40-B140
4 LEDs leuchten	k.A.	Der Akku ist zu 76 % - 100 % geladen.
3 LEDs leuchten	Der Akku ist zu 76 % - 100 % geladen.	Der Akku ist zu 51 % - 75 % geladen.
2 LEDs leuchten	Der Akku ist zu 51 % - 75 % geladen.	Der Akku ist zu 26 % - 50 % geladen.
1 LED leuchtet	Der Akku ist zu 26 % - 50 % geladen.	Der Akku ist zu 6 % - 25 % geladen.
1 LED blinkt	Der Akku ist zu 0 % - 25 % geladen.	Der Akku ist zu 0 % - 5 % geladen.

### So laden Sie den Akku

Laden Sie den Akku, wenn Sie ihn zum ersten Mal verwenden. Ein neuer Akku ist nur zu 30 % geladen.



**ACHTUNG:** Schließen Sie das Ladegerät an eine Steckdose mit der auf dem Typenschild angegebenen Spannung und Frequenz an.



Der Akku wird nicht aufgeladen, wenn die Akkuteperatur mehr als 50 °C/122° F beträgt.

1. Schließen Sie das Netzkabel an das Ladegerät an.
2. Schließen Sie das Ladegerät an eine geerdete Steckdose an. Die Lade-LED blinkt ein Mal. (Abb. 36)
3. Schließen Sie den Akku an das Ladegerät an. Die Lade-LED leuchtet auf. Laden Sie den Akku für maximal 24 Stunden. (Abb. 37)
4. Drücken Sie die Taste für den Akku-Ladezustand. Wenn alle LED-Anzeigelampen aufleuchten, ist der Akku vollständig geladen.
5. Ziehen Sie den Netzstecker, um das Ladegerät von der Steckdose zu trennen. Ziehen Sie nicht am Netzkabel.
6. Nehmen Sie den Akku aus dem Ladegerät.

## So schließen Sie den Akku an das Gerät an



**WARNUNG:** Verwenden Sie im Gerät nur den Original-Husqvarna-Akku.

1. Den Akku vollständig aufladen.
2. Drücken Sie den Akku in das Akkufach des Geräts. Der Akku rastet einem hörbaren Klickgeräusch in der richtigen Position ein. (Abb. 38)



**ACHTUNG:** Wenn sich der Akku nicht leicht in das Akkufach bewegt, ist der Akku nicht richtig eingesetzt. Dadurch kann das Gerät beschädigt werden.

## So starten Sie das Gerät

1. Halten Sie die Start-/Stoptaste gedrückt, bis das grüne LED-Licht aufleuchtet. (Abb. 39)
2. Drücken Sie die Gashebelsperre und den Gashebel. Die Schneidausrüstung beginnt sich zu drehen.

## So stellen Sie den Loophandgriff und den Teleskopschaft ein

1. Lösen Sie den Arretierhebel und bringen Sie den Loophandgriff in die richtige Position. (Abb. 40)
2. Schließen Sie den Arretierhebel.
3. Lösen Sie den Hebel am Schaft. (Abb. 41)
4. Stellen Sie die richtige Länge am Schaft ein. Stellen Sie sicher, dass Sie das Dreieck auf dem Schaft sehen können. (Abb. 42)
5. Schließen Sie den Hebel und ziehen Sie die Schraube an.

**Hinweis:** Befestigen Sie den Schlaufengriff am Schaft nicht an den Warnaufklebern.

## So verwenden Sie die SavE-Funktion

Dieses Gerät verfügt über die Energiesparfunktion SavE.

**Hinweis:** Die Funktion SavE vermindert nicht die Schneideleistung des Geräts.

1. Drücken Sie die SavE-Taste (Energiespartaste) auf dem Tastenfeld.
2. Stellen Sie sicher, dass die grüne LED aufleuchtet.
3. Drücken Sie die savE-Taste erneut, wenn Sie die Funktion deaktivieren möchten. Die grüne LED erlischt. (Abb. 43)

## Automatische Abschaltfunktion

Das Gerät verfügt über eine Abschaltfunktion, die das Gerät anhält, wenn es nicht verwendet wird. Die grüne LED für die Start/Stopp-Anzeige erlischt, und das Gerät stoppt nach 180 Sekunden.

## Inbetriebnahme des Geräts

### So trimmen Sie Gras

1. Halten Sie den Trimmerkopf nah über dem Boden und neigen Sie ihn dabei etwas. Drücken Sie den Trimmerfaden nicht in das Gras. (Abb. 44)
2. Verringern Sie die Länge des Trimmerfadens um 10-12 cm.
3. Senken Sie die Motordrehzahl, um das Risiko, Pflanzen zu beschädigen, zu verringern.
4. Arbeiten Sie mit 80 % Gas, wenn Sie Gras in der Nähe von Objekten schneiden. (Abb. 45)

### So schneiden Sie Gras

1. Halten Sie den Trimmerkopf über dem Boden.
2. Neigen Sie den Trimmerkopf.
3. Schneiden Sie mit dem Ende des Trimmerfadens um Objekte im Arbeitsbereich.



**ACHTUNG:** Schneiden Sie Gras. Andere Objekte, die von der Trimmerlinie getroffen werden, erhöhen den Verschleiß der Trimmerlinie.

## So mähen Sie den Rasen

1. Stellen Sie sicher, dass der Trimmerfaden beim Schneiden parallel zum Boden läuft. (Abb. 46)
2. Drücken Sie den Trimmerkopf nicht auf den Boden. Dies kann das Gerät beschädigen.

3. Schwenken Sie das Gerät von Seite zu Seite, während Sie das Gras schneiden. Nutzen Sie die volle Geschwindigkeit. (Abb. 47)

Sie sollten auch die anderen Teile des Trimmerkopfs überprüfen und bei Bedarf reinigen.

### So blasen Sie Gras fort

Der Luftstrom aus dem rotierenden Trimmerfaden kann verwendet werden, um Gras zu entfernen.

1. Halten Sie den Trimmerkopf und den Trimmerfaden parallel zum Boden und über dem Boden.
2. Geben Sie Vollgas.
3. Bewegen Sie den Trimmerkopf von einer Seite zur anderen und blasen Sie das Gras fort.



**WARNUNG:** Reinigen Sie die Trimmerkopfabdeckung jedes Mal, wenn Sie einen neuen Trimmerfaden zusammenbauen, um Unwucht und Vibrationen in den Griffen zu vermeiden.

### So stoppen Sie das Gerät

1. Lassen Sie den Gashebel und die Gashebelsperre los.
2. Drücken Sie die Start/Stopptaste, bis die grüne LED erlischt.
3. Drücken Sie die Entriegelungstasten am Akku, und nehmen Sie den Akku aus dem Gerät heraus. (Abb. 48)

### So ersetzen Sie den Trimmerfaden

Diese Information finden Sie auf der letzten Seite dieser Bedienungsanleitung.

## Wartung

### Einleitung



**WARNUNG:** Lesen Sie vor dem Warten des Geräts das Kapitel über Sicherheit, und machen Sie sich damit vertraut.

### Wartungsplan



**WARNUNG:** Entfernen Sie den Akku, bevor Sie Wartungsarbeiten durchführen.

Nachstehend sind die am Gerät vorzunehmenden Wartungsmaßnahmen aufgelistet. Siehe *Wartung auf Seite 82* für weitere Informationen.

Wartung	Täglich	Wöchentlich	Monatlich
Reinigen Sie die äußeren Teile des Geräts mit einem sauberen und trockenen Tuch. Verwenden Sie kein Wasser.	X		
Stellen Sie sicher, dass die Start-/Stopptaste funktionstüchtig und unbeschädigt ist.	X		
Stellen Sie sicher, dass der Gashebel und die Gashebelsperre sicherheitstechnisch ordnungsgemäß funktionieren.	X		
Vergewissern Sie sich, dass alle Bedienelemente funktionieren und unbeschädigt sind.	X		
Halten Sie die Griffe trocken, sauber und frei von Öl und Fett.	X		
Stellen Sie sicher, dass die Schneidausrüstung unbeschädigt ist. Tauschen Sie die Schneidausrüstung aus, wenn sie beschädigt ist.	X		
Kontrollieren Sie den Schutz für die Schneidausrüstung auf Schäden. Tauschen Sie den Schutz für die Schneidausrüstung aus, wenn er beschädigt ist.	X		
Vergewissern Sie sich, dass alle Schrauben und Muttern fest angezogen sind.	X		
Stellen Sie sicher, dass die Entriegelungstasten am Akku funktionieren und der Akku in das Gerät einrastet.	X		
Prüfen Sie, ob das Akkuladegerät nicht beschädigt ist und ordnungsgemäß funktioniert.	X		

Wartung	Täglich	Wöchentlich	Monatlich
Vergewissern Sie sich, dass der Akku nicht beschädigt ist.	X		
Stellen Sie sicher, dass der Akku vollständig geladen ist.	X		
Vergewissern Sie sich, dass das Akkuladegerät nicht beschädigt ist.	X		
Kontrollieren Sie alle Kabel, Kupplungen und Anschlüsse. Stellen Sie sicher, dass sie nicht beschädigt und frei von Schmutz sind.		X	
Überprüfen Sie die Verbindungen zwischen dem Akku und dem Gerät durch. Überprüfen Sie die Verbindung zwischen dem Akku und dem Ladegerät.			X

## So prüfen Sie den Akku und das Ladegerät

1. Untersuchen Sie den Akku auf Schäden, z. B. Risse.
2. Untersuchen Sie das Akkuladegerät auf Schäden, z. B. Risse.
3. Stellen Sie sicher, dass das Verbindungskabel des Akkuladegeräts nicht beschädigt ist und dass keine Risse vorhanden sind.

## So reinigen Sie das Gerät, den Akku und das Ladegerät

1. Reinigen Sie das Gerät nach jedem Gebrauch mit einem trockenen Tuch.
2. Reinigen Sie Akku und Ladegerät mit einem trockenen Tuch. Die Akkuführungsschienen sauber halten.

3. Stellen Sie sicher, dass die Klemmen an Akku und Ladegerät sauber sind, bevor der Akku in das Ladegerät oder das Gerät gesteckt wird.

## So überprüfen und ersetzen Sie den Trimmerkopf

1. Kontrollieren Sie den Trimmerkopf auf Beschädigungen und Risse.
2. Ziehen Sie die Trimmerfadenrolle heraus.
3. Entfernen Sie den Trimmerkopf. (Abb. 49)
4. Tauschen Sie den Trimmerkopf aus.
5. Bringen Sie den Trimmerkopf an. Siehe *So montieren Sie den Trimmerkopf auf Seite 79*.

## Fehlerbehebung

### Bedienpanel

LED-Bildschirm	Mögliche Fehler	Mögliche Abhilfe
Die Fehler-LED blinkt.	Überlastung	Die Schneid-ausrüstung ist nicht frei beweglich. Nehmen Sie die Schneid-ausrüstung ab.
	Temperaturabweichung	Lassen Sie das Gerät abkühlen.
Das Gerät springt nicht an.	Drücken Sie gleichzeitig den Gashebel und die Start-Taste.	Lassen Sie den Gashebel los, und stoppen Sie das Gerät.
Die Fehler-LED leuchtet rot auf.	Das Gerät muss gewartet werden.	Wenden Sie sich an Ihren Servicehändler.

### Akku

LED-Anzeige	Mögliche Fehler	Mögliche Fehlerbehebung
Die grüne LED blinkt.	Geringe Akkuspannung.	Laden Sie den Akku.

LED-Anzeige	Mögliche Fehler	Mögliche Fehlerbehebung
Die Fehler-LED blinkt.	Temperaturabweichung.	Der Akku darf nur bei Temperaturen zwischen -10°C (14°F) und 40°C (104°F) verwendet werden.
	Überspannung.	Kontrollieren Sie, ob die Netzspannung mit der auf dem Typenschild des Geräts angegebenen Spannung übereinstimmt. Nehmen Sie den Akku aus dem Ladegerät.
Die Fehler-LED leuchtet.	Die Zellendifferenz ist zu groß (1 V).	Wenden Sie sich an Ihren Servicehändler.

## Akkuladegerät

Problem	Mögliche Fehler	Mögliche Abhilfe
Die Lade-LED leuchtet rot.	Dauerhafter Ladegerätfehler.	Wenden Sie sich an Ihren Händler.
Die Lade-LED blinkt grün.	Temperaturabweichung, der Akku ist zu kalt oder zu heiß zum Laden.	Lassen Sie den Akku abkühlen, oder erwärmen Sie ihn. Wenn der Akku die richtige Temperatur hat, kann er wieder verwendet oder aufgeladen werden. Das Akkuladegerät darf nur bei Umgebungstemperaturen zwischen 5 °C und 40 °C verwendet werden.
Die Lade-LED blinkt rot.	Akku defekt.	Wenden Sie sich an Ihren Händler.

---

## Transport, Lagerung und Entsorgung

---

### Transport und Lagerung

- Die mitgelieferten Lithium-Ionen-Akkus entsprechen den Anforderungen des Gefahrgutrechts.
- Beachten Sie für den gewerblichen Transport, auch durch Dritte oder Speditionen, die gesonderten Anforderungen auf Verpackung und Etiketten.
- Sprechen Sie sich, bevor Sie das Gerät versenden, mit einer Person ab, die speziell im Gefahrgutversand geschult ist. Beachten Sie sämtliche geltende nationale Vorschriften.
- Bedecken Sie offene Kontakte mit Klebeband, wenn Sie den Akku in eine Verpackung legen. Stellen Sie sicher, dass der Akku in der Verpackung nicht verrutschen kann.
- Entnehmen Sie den Akku für die Lagerung oder den Transport.
- Bringen Sie den Akku und das Ladegerät an einem Ort unter, der trocken und frei von Feuchtigkeit und Frost ist.
- Lagern Sie den Akku nicht an einem Ort, an dem es zu elektrostatischen Entladungen kommen kann. Bewahren Sie den Akku nicht in einem Metallkasten auf.
- Stellen Sie bei der Lagerung des Akkus sicher, dass die Temperatur zwischen 5 °C/41 °F und 25 °C/77 °F liegt und der Akku keinem direkten Sonnenlicht ausgesetzt ist.
- Stellen Sie bei der Lagerung des Akkuladegeräts sicher, dass die Temperatur zwischen 5 °C/41 °F und 45 °C/113 °F liegt und das Ladegerät keinem direkten Sonnenlicht ausgesetzt ist.
- Das Ladegerät darf nur verwendet werden, wenn die Umgebungstemperatur zwischen 5 °C/41 °F und 40 °C/104 °F liegt.
- Laden Sie den Akku auf 30 bis 50 %, bevor Sie ihn über längere Zeit einlagern.
- Lagern Sie das Akkuladegerät in einem geschlossenen und trockenen Raum.
- Achten Sie bei der Lagerung darauf, dass sich der Akku nicht in unmittelbarer Nähe zum Ladegerät

befindet. Kinder und andere nicht befugte Personen dürfen die Ausstattung nicht berühren. Verwahren Sie die Ausstattung in einem abschließbaren Raum.

- Reinigen Sie das Gerät und führen Sie umfassende Servicearbeiten durch, bevor Sie es längere Zeit einlagern.
- Verwenden Sie für das Gerät einen Transportschutz, um Verletzungen oder Schäden am Gerät bei Transport und Lagerung zu vermeiden.
- Befestigen Sie das Gerät während des Transports sicher.

## Entsorgung von Akku, Ladegerät und Gerät

Symbole auf dem Gerät oder seiner Verpackung zeigen an, dass dieses Gerät kein Hausmüll ist. Recyceln Sie es an einer Recyclingstation für elektrische und elektronische Geräte. So werden Umwelt- und Personenschäden vermieden.

Wenden Sie sich für weitere Informationen zum Recycling Ihres Geräts an Ihre örtlichen Behörden, Abfallentsorgungsunternehmen oder Ihren Händler.

## Entsorgen von Elektro- und Elektronik-Altgeräten

Gilt nur für Deutschland



Die durchgestrichene Abfalltonne weist darauf hin, dass Sie gesetzlich verpflichtet sind, dieses Gerät getrennt vom unsortierten Siedlungsabfall zu entsorgen. Die Entsorgung im Restmüll oder im gelben Sack ist verboten. Wenn das Produkt Einwegbatterien oder Akkus enthält, die nicht dauerhaft installiert sind, müssen diese vor der Entsorgung des Produkts entfernt und separat als Batterien bzw. Akkus entsorgt werden.

### Entfernen von Batterien, Akkus und Leuchtmitteln:

Batterien, Akkus oder Leuchtmittel, die aus dem Produkt entfernt werden können, ohne es zu beschädigen, müssen vor der Entsorgung entfernt und separat als Batterien, Akkus oder Leuchtmittel entsorgt werden. Die folgenden Batterien oder Akkus sind in diesem Produkt enthalten:

- **Akkutyp:** Li-ion
- **Chemie:** Lithium

### Informationen zur Rückgabe von Elektro- und Elektronik-Altgeräten für Privathaushalte:

Wie im Folgenden näher beschrieben, sind bestimmte Verreiber verpflichtet, Elektro- und Elektronik-Altgeräte kostenlos zurückzunehmen.

Vertreiber von Elektro- und Elektronikgeräten mit einer Verkaufsfläche von mindestens 400 m<sup>2</sup> und

Lebensmittelhändler mit einer Gesamtverkaufsfläche von mindestens 800 m<sup>2</sup>, die mehrmals im Kalenderjahr oder beständig Elektro- und Elektronikgeräte abgeben und verkaufen, sind unter den folgenden Umständen zur Rücknahme von Geräten verpflichtet:

1. Beim Verkauf eines neuen Elektro- oder Elektronikgeräts muss der Verreiber ein Altgerät desselben Gerätetyps kostenlos zurücknehmen, das im Wesentlichen die gleichen Funktionen wie das neue Gerät bereitstellt. Dies muss an dem Standort, an dem das Gerät abgegeben wird, oder in unmittelbarer Nähe geschehen. Privathaushalte gelten auch als der Ort, an dem das Gerät abgegeben wird, sofern das Produkt dorthin geliefert wird: In diesem Fall werden Altgeräte ohne Kosten für den Endbenutzer abgeholt.
2. Der Verreiber muss Altgeräte mit einem Durchmesser von weniger als 25 cm auf Wunsch des Endbenutzers an der Verkaufsstelle oder in unmittelbarer Nähe zurücknehmen. Diese Rückgabe muss nicht mit dem Kauf von Elektro- oder Elektronikgeräten in Verbindung stehen und ist auf drei Altgeräte pro Gerätetyp beschränkt.

Bei Abschluss des Kaufvertrags für ein neues Elektro- oder Elektronikgerät muss der Verreiber den Endbenutzer über sein Recht informieren, das Altgerät zurückzugeben oder kostenlos abholen zu lassen, und den Endbenutzer fragen, ob er beabsichtigt, ein Altgerät bei der Lieferung des neuen Geräts zurückzugeben.

Dies gilt auch für den Vertrieb über Telekommunikation, wenn die Lager- und Versandfläche für Elektro- und Elektronikgeräte mindestens 400 m<sup>2</sup> beträgt oder wenn die gesamte Lager- und Versandfläche mindestens 800 m<sup>2</sup> beträgt, wobei die kostenlose Abholung von Elektro- oder Elektronikgeräten auf die folgenden Kategorien beschränkt ist:

- 1 (Wärmeüberträger)
- 2 (Geräte mit Displays) und
- 4 (große Geräte mit mindestens einer äußeren Abmessung von mehr als 50 cm)

Für alle anderen Elektro- und Elektronikgeräte muss der Verreiber entsprechende Rücknahmestellen in angemessener Nähe zum Endverbraucher sicherstellen. Dies gilt auch für Altgeräte, bei denen keine äußere Abmessung 25 cm überschreitet, die der Endbenutzer zurückgeben möchte, ohne ein neues Gerät zu erwerben.

### Datenschutz

Alle Endbenutzer von Elektro- und Elektronik-Altgeräten sind dafür verantwortlich, alle personenbezogenen Daten von den zu entsorgenden Elektro- und Elektronik-Altgeräten zu löschen.

### WEEE-Registrierungsnummer

Husqvarna

### Sammlungs- und Verwertungsraten

Gemäß der WEEE-Richtlinie sind die EU-Mitgliedstaaten verpflichtet, Daten über Elektro- und Elektronik-Altgeräte zu sammeln und diese Daten an die Europäische Kommission zu

übermitteln. Weitere Informationen hierzu finden Sie auf der BMUV-Website: <https://www.bmu.de/themen/wasser-ressourcen-abfall/kreislaufwirtschaft/statistiken/elektro-und-elektronikaltgeraete>

## Technische Angaben

### Technische Daten

	<b>215iL</b>
<b>Motor</b>	
Motortyp	BLDC
Drehzahl der Abtriebswelle, U/min	6800
Schnittbreite, mm	310
<b>Gewicht</b>	
Gewicht ohne Akku, kg	2,9
<b>Geräuschemissionen</b> <sup>13</sup>	
Schalleistungspegel, gemessen dB (A)	90,5
Schalleistungspegel, garantiert L <sub>WA</sub> dB (A)	92
<b>Geräuschpegel</b> <sup>14</sup>	
Äquivalenter Schalldruckpegel am Ohr des Bedieners, gemessen nach EN ISO 50636-2-91, dB (A)	74,9
<b>Vibrationspegel</b> <sup>15</sup>	
Vibrationspegel an den Griffen, gemessen nach EN50636-2-91, m/s <sup>2</sup>	4,5/2,7
Ausgestattet mit Trimmerkopf (Original), vorne/hinten.	

### Zugelassene Akkus für das Gerät

Akku	BLi10	BLi20	40-B70	40-B140
Typ	Lithium-Ionen	Lithium-Ionen	Lithium-Ionen	Lithium-Ionen
Akkukapazität, Ah	Siehe Aufkleber zur Akkukapazität	Siehe Aufkleber zur Akkukapazität	Siehe Aufkleber zur Akkukapazität	Siehe Aufkleber zur Akkukapazität

<sup>13</sup> Umweltbelastende Geräuschemissionen, gemessen als Schalleistung (L<sub>WA</sub>) gemäß EG-Richtlinie 2000/14/EG. Die Differenz zwischen garantiertem und gemessenem Schalleistungspegel besteht darin, dass beim garantierten Schalleistungspegel auch eine Streuung im Messergebnis und Variationen zwischen verschiedenen Geräten desselben Modells gemäß der Richtlinie 2000/14/EG berücksichtigt werden.

<sup>14</sup> Berichten zufolge liegt der Schalldruckpegel für dieses Gerät normalerweise bei einer Ausbreitungsklasse (Standardabweichung) von 2,5 dB (A).

<sup>15</sup> Berichten zufolge liegt der Vibrationspegel normalerweise bei einer Ausbreitungsklasse (Standardabweichung) von 1,5 m/s<sup>2</sup>.

Akku	BLI10		BLI20		40-B70	40-B140
Nennspannung, V	36	36,5	36	36,5	36	36
Gewicht, lb/kg	0,7	0,7	1,2	1,2	0,8	1,25

### Zugelassene Ladegeräte für das Gerät

Akkuladegerät	QC80	40-C80
Netzspannung, V	100-240	100-240
Frequenz, Hz	50-60	50-60
Leistung, W	100	72
Ausgangsspannung, V DC/ Ampere, A	36/2	43/1,6

---

## Zubehör

---

### Zugelassenes Zubehör

Zugelassenes Zubehör	Typ	Schutz für die Schneidausrüstung, Teile-Nr.
Trimmerkopf	R25B (Faden-Ø 2 mm)	529 96 69-01

# Konformitätserklärung

## EU-Konformitätserklärung

Die **Husqvarna AB**, SE-561 82 Huskvarna, Schweden,  
Tel.: +46-36-146500, erklärt in alleiniger Verantwortung,  
dass das Gerät:

<b>Beschreibung</b>	Akku-Rasentrimmer
<b>Marke</b>	Husqvarna
<b>Typ/Modell</b>	215iL
<b>Identifizierung</b>	Seriennummern ab 2024

die folgenden EU-Richtlinien und -Verordnungen erfüllt:

<b>Richtlinie/Verordnung</b>	<b>Beschreibung</b>
2006/42/EG	„Maschinenrichtlinie“
2014/30/EU	„über elektromagnetische Verträglichkeit“
2000/14/EG	„über umweltbelastende Geräuschemissionen von zur Verwendung im Freien vorgesehenen Geräten und Maschinen“
2011/65/EU	„zur Beschränkung der Verwendung bestimmter gefährlicher Stoffe in Elektro- und Elektronikgeräten“

und dass die folgenden Normen und/oder technischen Daten angewendet werden: EN 60335-1:2012/ A15:2021, EN 50636-2-91:2014, EN IEC 63000:2018, EN IEC 55014-1:2021; EN IEC 55014-2:2021.

Benannte Stelle: 0197 TÜV Rheinland LGA Products GmbH, Tillystraße 2, 90431 Nürnberg, Germany bestätigte die Konformität mit der Richtlinie 2000/14/EG, Konformitätsbewertungsverfahren nach: Anhang VI.

Informationen zu Geräuschemission finden Sie unter *Technische Angaben auf Seite 86*.

Huskvarna, 2024-02-01



Claes Losdal, R&D Manager, Husqvarna AB  
Verantwortlich für die technische Dokumentation



## Περιεχόμενα

Εισαγωγή.....	89	Μεταφορά, αποθήκευση και απόρριψη.....	103
Ασφάλεια.....	90	Τεχνικά στοιχεία.....	104
Συναρμολόγηση.....	97	Αξεσουάρ.....	105
Λειτουργία.....	98	Δήλωση Συμμόρφωσης.....	106
Συντήρηση.....	100	Ανεπα.....	454
Αντιμετώπιση προβλημάτων.....	102		



---

## Εισαγωγή

---

### Περιγραφή προϊόντος

Το Husqvarna215iL είναι ένα χορτοκοπτικό μπαταρίας με ηλεκτροκίνητηρα.

Εργαζόμεστε συνεχώς για απολαμβάνετε μεγαλύτερη ασφάλεια και υψηλότερη απόδοση κατά τη διάρκεια της εργασίας. Απευθυνθείτε στον αντιπρόσωπο σέρβις για περισσότερες πληροφορίες.

### Προβλεπόμενη χρήση

Το προϊόν χρησιμοποιείται με μη μεταλλικές μεσινέζες χορτοκοπτικού, μη μεταλλικά κορδόνια ή ισοδύναμα

### Επισκόπηση προϊόντος

(Εικ. 1)

1. Κεφαλή χορτοκοπτικού
2. Προστατευτικό εξαρτήματος κοπής
3. Άξονας
4. Ρύθμιση άξονα (τηλεσκοπική)
5. Χειρολαβή τύπου βρόχου
6. Πληκτρολόγιο
7. Προειδοποιητική ένδειξη πληκτρολογίου
8. Κουμπί εκκίνησης/διακοπής λειτουργίας
9. Κουμπί λειτουργίας εξοικονόμησης SavE
10. Σκανδάλη γκαζιού
11. Ασφάλεια σκανδάλης γκαζιού
12. Ένδειξη λειτουργίας και προειδοποίησης
13. Συνδετήρας
14. Φορτιστής μπαταρίας 40-C80
15. Φορτιστής μπαταρίας QC80
16. Καλώδιο τροφοδοσίας
17. Προφυλακτήρας φυτών
18. Ένδειξη θερμοκρασίας μπαταρίας
19. Κατάσταση μπαταρίας
20. Κουμπί ένδειξης μπαταρίας
21. Κουμπιά απελευθέρωσης μπαταρίας
22. Μπαταρία
23. Πολυεργαλείο
24. Εγχειρίδιο χρήσης

### Σύμβολα στο προϊόν

- (Εικ. 2) ΠΡΟΕΙΔΟΠΟΙΗΣΗ: Αυτό το προϊόν μπορεί να είναι επικίνδυνο και να προκαλέσει σοβαρό τραυματισμό ή θάνατο του χειριστή ή άλλων ατόμων. Να είστε προσεκτικοί και να χρησιμοποιείτε το προϊόν σωστά.
- (Εικ. 3) Προτού χρησιμοποιήσετε το προϊόν, διαβάστε προσεκτικά το εγχειρίδιο χρήσης

μη μεταλλικά εύκαμπτα κοπτικά εξαρτήματα. Μην χρησιμοποιείτε το προϊόν για άλλες εργασίες εκτός από την κοπή αγριόχορτων, χόρτων ή παρόμοιας μαλακής βλάστησης.

---

**Περιεχόμενα** Μπορεί να ισχύουν εθνικοί κανονισμοί που θέτουν όρια στη χρήση του προϊόντος.

---

- και βεβαιωθείτε ότι έχετε κατανοήσει τις οδηγίες.
- (Εικ. 4) Να χρησιμοποιείτε μέσα προστασίας των ματιών.
- (Εικ. 5) Αποφύγετε την έκθεση στη βροχή.
- (Εικ. 6) Εκπομπές θορύβου στην ετικέτα περιβάλλοντος σύμφωνα με τις οδηγίες και τους κανονισμούς της ΕΕ (συμπεριλαμβανομένης και της νομοθεσίας της Νέας Νότιας Ουαλίας) και του Ηνωμένου Βασιλείου. Τα στοιχεία για τις εκπομπές θορύβου βρίσκονται στην ετικέτα του μηχανήματος και στο κεφάλαιο Τεχνικά στοιχεία.
- (Εικ. 7) Μην αφήνετε τα παριστάμενα άτομα να πλησιάσουν το προϊόν.
- (Εικ. 8) Αποσυνδέστε την μπαταρία πριν από τη συντήρηση.
- (Εικ. 9) Το προϊόν ή η συσκευασία του προϊόντος δεν αποτελεί οικιακό απόρριμμα. Ανακυκλώστε το σε κέντρο ανακύκλωσης ηλεκτρικού και ηλεκτρονικού εξοπλισμού.
- (Εικ. 10) Το προϊόν συμμορφώνεται με τις ισχύουσες οδηγίες ΕΕ.
- (Εικ. 11) Το προϊόν συμμορφώνεται με τις ισχύουσες οδηγίες του Η.Β.
- (Εικ. 12) Συνεχές ρεύμα.

yyyywwxxxx

Η πινακίδα στοιχείων ή το τυπωμένο μέρος με λείζερ δείχνει τον αριθμό σειράς. Το **yyyy** είναι το έτος παραγωγής και το **ww** είναι η εβδομάδα παραγωγής.

(Εικ. 14) Χρησιμοποιείτε και φυλάσσετε το φορτιστή μπαταρίας μόνο σε εσωτερικούς χώρους.

(Εικ. 15) Διπλή μόνωση.

## Σύμβολα στην μπαταρία ή/και στο φορτιστή της μπαταρίας

(Εικ. 16) Ανακυκλώστε αυτό το προϊόν σε κέντρο ανακύκλωσης ηλεκτρικού και ηλεκτρονικού εξοπλισμού. (Ισχύει μόνο για την Ευρώπη)

(Εικ. 13) Μετασχηματιστής εξασφαλισμένης λειτουργίας σε περίπτωση βλάβης.

## Ζημιά στο προϊόν

Δεν φέρουμε ευθύνη για ζημιές στο προϊόν μας εάν:

- Το προϊόν έχει επισκευαστεί λανθασμένα.
- Το προϊόν έχει επισκευαστεί με εξαρτήματα που δεν προέρχονται από τον κατασκευαστή ή που δεν έχουν εγκριθεί από τον κατασκευαστή.
- Το προϊόν διαθέτει ένα αξεσουάρ που δεν προέρχεται από τον κατασκευαστή ή που δεν έχει εγκριθεί από τον κατασκευαστή.
- Το προϊόν δεν έχει επισκευαστεί σε εγκεκριμένο κέντρο σέρβις ή από εγκεκριμένη αρχή.

## Ασφάλεια

### Ορισμοί για την ασφάλεια

Για την επισήμανση ειδικών σημαντικών τμημάτων του εγχειριδίου χρησιμοποιούνται προειδοποιήσεις, συστάσεις προσοχής και σημειώσεις.



**ΠΡΟΕΙΔΟΠΟΙΗΣΗ:** Χρησιμοποιείται όταν υπάρχει κίνδυνος τραυματισμού ή θανάτου του χειριστή ή άλλων παριστάμενων ατόμων, αν δεν τηρηθούν οι οδηγίες που παρέχονται στο εγχειρίδιο.



**ΠΡΟΣΟΧΗ:** Χρησιμοποιείται όταν υπάρχει κίνδυνος πρόκλησης ζημιάς στο προϊόν, σε άλλα υλικά ή στον παρακείμενο χώρο, αν δεν τηρηθούν οι οδηγίες που παρέχονται στο εγχειρίδιο.

**Περιεχόμενα** Χρησιμοποιείται για παροχή περισσότερων πληροφοριών, οι οποίες χρειάζονται σε μια δεδομένη κατάσταση.

### Γενικές προειδοποιήσεις ασφαλείας ηλεκτρικού εργαλείου



**ΠΡΟΕΙΔΟΠΟΙΗΣΗ:** Διαβάστε όλες τις προειδοποιήσεις ασφαλείας και όλες τις οδηγίες. Η μη τήρηση των προειδοποιήσεων και των οδηγιών μπορεί να προκαλέσει ηλεκτροπληξία, πυρκαγιά ή/και σοβαρό τραυματισμό.

### Περιεχόμενα Φυλάσσετε τις προειδοποιήσεις και τις οδηγίες ώστε να ανατρέχετε αργότερα σε αυτές.

Ο όρος "ηλεκτρικό εργαλείο" που χρησιμοποιείται στις προειδοποιήσεις αναφέρεται στο εργαλείο που τροφοδοτείται από το δίκτυο ρεύματος (με καλώδιο) ή στο εργαλείο που τροφοδοτείται από μπαταρία (χωρίς καλώδιο).

### Έλεγχος πριν από την εκκίνηση

- Αφαιρείτε πάντα την μπαταρία για να αποτρέψετε τυχόν ακούσια εκκίνηση του προϊόντος. Αφαιρείτε πάντα την μπαταρία προτού εκτελέσετε συντήρηση στο προϊόν.
- Πριν από τη χρήση του προϊόντος και μετά από τυχόν πρόσκρουση, ελέγξτε για ενδείξεις φθοράς ή ζημιάς και επισκευάστε όπως απαιτείται.
- Επιθεωρήστε τον χώρο εργασίας. Απομακρύνετε όλα τα ελεύθερα αντικείμενα, όπως πέτρες, σπασμένα γυαλιά, ατσάλινα σύρματα, σχοινιά κ.λπ. που μπορεί να εκτοξευθούν ή να τυλιχτούν γύρω από το κοπτικό εργαλείο ή τον προφυλακτήρα του κοπτικού εργαλείου.
- Ελέγξτε τον κινητήρα για ρύπους και ρωγμές. Καθαρίστε το χορτάρι και τα φύλλα από τον κινητήρα χρησιμοποιώντας βούρτσα. Φορέστε γάντια όταν χρειάζεται.
- Ελέγξτε αν η κεφαλή του χορτοκοπτικού είναι πλήρως συνδεδεμένη στο χορτοκοπτικό.
- Βεβαιωθείτε ότι το μηχάνημα βρίσκεται σε άριστη κατάσταση λειτουργίας. Βεβαιωθείτε ότι όλα τα παξιμάδια και οι βίδες είναι σφιγμένα.
- Ελέγξτε αν η κεφαλή και ο προφυλακτήρας χορτοκοπτικού δεν παρουσιάζουν βλάβες ή ρωγμές. Αντικαταστήστε την κεφαλή ή τον προφυλακτήρα χορτοκοπτικού σε περίπτωση

που εκτεθούν σε κραδασμούς ή παρουσιάζουν ρωγμές. Χρησιμοποιείτε πάντα το συνιστώμενο προστατευτικό για το εξάρτημα κοπής που χρησιμοποιείτε. Δείτε το κεφάλαιο για τα Τεχνικά στοιχεία.

- Ο χειριστής του προϊόντος θα πρέπει, κατά τη διάρκεια της εργασίας του, να διασφαλίζει ότι δεν πλησιάζουν άνθρωποι ή ζώα σε απόσταση μικρότερη από 15 μέτρα από το μηχάνημα. Όταν εργάζονται πολλοί χειριστές στην ίδια περιοχή, η απόσταση ασφαλείας πρέπει να είναι τουλάχιστον 15 μέτρα.
- Πραγματοποιήστε γενική επιθεώρηση του προϊόντος πριν από τη χρήση. Ανατρέξτε στο πρόγραμμα συντήρησης.
- Για τη χρήση ενδέχεται να ισχύουν εθνικοί ή τοπικοί κανονισμοί. Οι εκάστοτε κανονισμοί πρέπει να τηρούνται.

### Ασφάλεια στο χώρο εργασίας

- **Διατηρείτε το χώρο εργασίας καθαρό και με καλό φωτισμό.** Οι ακατάστατοι ή σκοτεινοί χώροι ενέχουν τον κίνδυνο ατυχημάτων.
- **Μην χειρίζετε ηλεκτρικά εργαλεία σε εκρηκτικές ατμόσφαιρες, π.χ. παρουσία εύφλεκτων υγρών, αερίων ή σωματιδίων σκόνης.** Τα ηλεκτρικά εργαλεία δημιουργούν σπινθήρες, οι οποίοι ενδέχεται να προκαλέσουν την ανάφλεξη των σωματιδίων ή των καπνών.
- **Κατά το χειρισμό ενός ηλεκτρικού εργαλείου, δεν πρέπει να βρίσκονται κοντά παιδιά ή άλλοι παρευρισκόμενοι.** Ενδέχεται να αποσπάσουν την προσοχή σας, με αποτέλεσμα να χάσετε τον έλεγχο.

### Ασφάλεια με το ηλεκτρικό ρεύμα

- **Το βύσμα του ηλεκτρικού εργαλείου πρέπει να ταιριάζει στην πρίζα. Μην τροποποιείτε ποτέ το βύσμα. Μην χρησιμοποιείτε προσαρμογείς με γειωμένα ηλεκτρικά εργαλεία.** Η χρήση μη τροποποιημένων φισ και αντίστοιχων πριζών μειώνει τον κίνδυνο ηλεκτροπληξίας.
- **Αποφεύγετε την επαφή του σώματος με γειωμένες επιφάνειες, όπως σωλήνες, καλοριφέρ, κουζίνες και ψυγεία.** Υπάρχει αυξημένος κίνδυνος ηλεκτροπληξίας, αν το σώμα σας έρθει σε επαφή με τη γείωση.
- **Μην εκθέτετε ηλεκτρικά εργαλεία σε βροχή ή σε συνθήκες υγρασίας.** Σε περίπτωση εισχώρησης νερού σε ηλεκτρικό εργαλείο, αυξάνεται ο κίνδυνος ηλεκτροπληξίας.
- **Μην προκαλείτε φθορά στο καλώδιο. Μην χρησιμοποιείτε ποτέ το καλώδιο για τη μεταφορά, το τράβηγμα ή την αποσύνδεση του ηλεκτρικού εργαλείου. Φυλάσσετε το καλώδιο μακριά από θερμότητα, λάδια, αιχμηρές άκρες ή κινούμενα εξαρτήματα.** Εάν το καλώδιο καταστραφεί ή εμπλακεί, αυξάνεται ο κίνδυνος ηλεκτροπληξίας.
- **Όταν χρησιμοποιείτε ένα ηλεκτρικό εργαλείο σε εξωτερικό χώρο, χρησιμοποιήστε ένα καλώδιο προέκτασης που είναι κατάλληλο για χρήση σε**

**εξωτερικό χώρο.** Η χρήση καλωδίων κατάλληλων για εξωτερικό χώρο μειώνει τον κίνδυνο ηλεκτροπληξίας.

- **Αν η χρήση ενός ηλεκτρικού εργαλείου σε χώρο με υγρασία είναι αναπόφευκτη, χρησιμοποιήστε παροχή ρεύματος με διάταξη προστασίας από ρεύματα διαρροής (RCD).** Η χρήση μιας διάταξης RCD μειώνει τον κίνδυνο ηλεκτροπληξίας.

### Προσωπική ασφάλεια

- **Να είστε προσεκτικοί, να παρακολουθείτε αυτό που κάνετε και να χρησιμοποιείτε την κοινή λογική όταν χρησιμοποιείτε ένα ηλεκτρικό εργαλείο. Μην χρησιμοποιείτε ηλεκτρικά εργαλεία όταν είστε κουρασμένοι ή υπό την επήρεια ναρκωτικών, αλκοόλ ή φαρμάκων.** Μια στιγμή απροσεξίας, κατά το χειρισμό ηλεκτρικών εργαλείων, μπορεί να οδηγήσει σε σοβαρό τραυματισμό.
- **Χρησιμοποιείτε ατομικό προστατευτικό εξοπλισμό. Φοράτε πάντοτε προστατευτικά γυαλιά.** Ο εξοπλισμός προστασίας, όπως προστατευτική μάσκα αναπνοής, αντλιοσθητικά παπούτσια ασφαλείας, κράνος ή προστατευτικά ακοής σε κατάλληλες συνθήκες, μειώνει τον κίνδυνο τραυματισμών.
- **Φροντίστε ώστε να μην είναι εφικτή η ακούσια εκκίνηση. Βεβαιωθείτε ότι ο διακόπτης βρίσκεται στη θέση OFF προτού συνδέσετε το εργαλείο στην πηγή τροφοδοσίας ή/και στην μπαταρία και προτού πιάσετε ή μεταφέρετε το εργαλείο.** Η μεταφορά των ηλεκτρικών εργαλείων, ενώ έχετε το χέρι σας στο διακόπτη ή η σύνδεση σε πρίζα των ηλεκτρικών εργαλείων με διακόπτη ενέχει τον κίνδυνο ατυχήματος.
- **Αφαιρέστε τυχόν κλειδιά προσαρμογής ή σύσφιξης, πριν ενεργοποιήσετε το ηλεκτρικό εργαλείο.** Ένα κλειδί σύσφιξης ή προσαρμογής που παραμένει προσαρτημένο σε κινούμενο μέρος του ηλεκτρικού εργαλείου μπορεί να οδηγήσει σε τραυματισμό.
- **Μην υπερεκτιμάτε τις δυνατότητές σας. Να πατάτε καλά τα πόδια σας και να διατηρείτε την ισορροπία σας συνέχεια.** Έτσι επιτυγχάνεται καλύτερος έλεγχος του ηλεκτρικού εργαλείου, σε τυχόν απρόβλεπτες καταστάσεις.
- **Φοράτε κατάλληλα ρούχα. Μην φοράτε φαρδιά ρούχα ή κοσμήματα. Φροντίστε τα μαλλιά και τα ρούχα σας να βρίσκονται σε απόσταση από τα κινούμενα εξαρτήματα.** Τα φαρδιά ρούχα, τα κοσμήματα ή τα μακριά μαλλιά ενδέχεται να πιαστούν σε κινούμενα μέρη.
- **Εάν παρέχονται διατάξεις για τη σύνδεση συστημάτων συλλογής και απομάκρυνσης σκόνης, βεβαιωθείτε ότι αυτές έχουν συνδεθεί και χρησιμοποιούνται σωστά.** Χρησιμοποιείτε σύστημα συλλογής σκόνης για να μειώσετε τους κινδύνους που σχετίζονται με τη σκόνη.
- **Ακόμη και αν χρησιμοποιείτε συχνά και είστε εξοικειωμένοι με τα εργαλεία, μην επαναπαύεστε και μην παραβλέπετε τις αρχές ασφαλείας των εργαλείων.** Μια απρόσεκτη ενέργεια μπορεί να προκαλέσει σοβαρό τραυματισμό σε κλάσμα του δευτερολέπτου.

- Η εκπομπή κραδασμών κατά την πραγματική χρήση του ηλεκτρικού εργαλείου μπορεί να διαφέρει από τη δηλωθείσα συνολική τιμή, ανάλογα με τους τρόπους χρήσης του εργαλείου. Οι χειριστές πρέπει να προσδιορίζουν τα μέτρα ασφάλειας για την προστασία τους που βασίζονται σε εκτίμηση της έκθεσης σε πραγματικές συνθήκες χρήσης (λαμβάνοντας υπόψη όλα τα μέρη του κύκλου λειτουργίας, όπως οι χρόνοι κατά τους οποίους το εργαλείο είναι απενεργοποιημένο και οι χρόνοι λειτουργίας ρελατί , επιπρόσθετα της σκανδάλης).

## Χρήση και φροντίδα των ηλεκτρικών εργαλείων

- **Μην ασκείτε μεγάλη δύναμη στο ηλεκτρικό εργαλείο. Χρησιμοποιείτε το κατάλληλο ηλεκτρικό εργαλείο για την εφαρμογή σας.** Το κατάλληλο ηλεκτρικό εργαλείο θα έχει καλύτερα αποτελέσματα για την εργασία σας και θα είναι ασφαλέστερο, στο βαθμό για τον οποίο είναι σχεδιασμένο.
- **Μην χρησιμοποιείτε το ηλεκτρικό εργαλείο, εάν δεν μπορεί να ενεργοποιηθεί και να απενεργοποιηθεί με το διακόπτη.** Ένα ηλεκτρικό εργαλείο που δεν μπορεί να ελεγχθεί από το διακόπτη είναι επικίνδυνο και πρέπει να επισκευαστεί.
- **Αποσυνδέστε το βύσμα από την πηγή τροφοδοσίας ή/και αφαιρέστε την μπαταρία (αν είναι αποσπώμενη) από το ηλεκτρικό εργαλείο πριν από την πραγματοποίηση ρυθμίσεων, την αλλαγή αξεσουάρ ή την αποθήκευση ηλεκτρικών εργαλείων.** Αυτά τα προληπτικά μέτρα ασφαλείας μειώνουν τον κίνδυνο ακούσιων εκκίνησης του ηλεκτρικού εργαλείου.
- **Φυλάσσετε τα ηλεκτρικά εργαλεία που βρίσκονται σε αδράνεια, μακριά από παιδιά και μην επιτρέψετε σε άτομα που δεν είναι εξοικειωμένα με αυτά ή με τις οδηγίες να χρησιμοποιούν το ηλεκτρικό εργαλείο.** Τα ηλεκτρικά εργαλεία είναι επικίνδυνα στα χέρια μη εκπαιδευμένων χρηστών.
- **Φροντίστε να συντηρείτε τα ηλεκτρικά εργαλεία και τα αξεσουάρ.** Ελέγχετε για τυχόν μη ευθυγραμμισμένα ή μπλοκαρισμένα κινούμενα μέρη, ρωγμές στα διάφορα μέρη και κάθε άλλη κατάσταση που μπορεί να επηρεάζει τη λειτουργία του ηλεκτρικού εργαλείου. **Σε περίπτωση ζημιάς, φροντίστε για την επισκευή του ηλεκτρικού εργαλείου πριν το χρησιμοποιήσετε.** Πολλά ατυχήματα προκαλούνται από ηλεκτρικά εργαλεία που δεν συντηρούνται σωστά.
- **Διατηρείτε τα εργαλεία κοπής αιχμηρά και καθαρά.** Εάν τα εργαλεία κοπής συντηρούνται σωστά, με αιχμηρές άκρες κοπής, είναι λιγότερο πιθανή η εμπλοκή τους και πιο εύκολος ο έλεγχός τους.
- **Χρησιμοποιείτε το ηλεκτρικό εργαλείο, τα εξαρτήματα και τα τρυπάνια σύμφωνα με τις οδηγίες αυτές, λαμβάνοντας υπόψη τις συνθήκες εργασίας και την εργασία που πρέπει να εκτελεστεί.** Η χρήση των ηλεκτρικών εργαλείων για εφαρμογές διαφορετικές από αυτές για τις οποίες προορίζονται μπορεί να οδηγήσει σε επικίνδυνες καταστάσεις.
- **Διατηρήστε τις χειρολαβές και τις επιφάνειες κρατήματος στεγνές και καθαρές, χωρίς λάδια**

**και γράσο.** Οι ολισθηρές λαβές και επιφάνειες κρατήματος δεν επιτρέπουν τον ασφαλή χειρισμό και έλεγχο του εργαλείου σε απρόβλεπτες καταστάσεις.

## Χρήση και φροντίδα εργαλείων μπαταρίας

- **Να επαναφορτίζετε μόνο με το φορτιστή που ορίζεται από τον κατασκευαστή.** Ένας φορτιστής κατάλληλος για έναν τύπο συστοιχίας μπαταριών μπορεί να δημιουργήσει κίνδυνο φωτιάς κατά τη χρήση με άλλη συστοιχία μπαταριών.
- **Χρησιμοποιείτε προϊόντα μόνο με τις προδιαγραφόμενες μπαταρίες.** Η χρήση οποιασδήποτε άλλης μπαταρίας μπορεί να προκαλέσει κίνδυνο τραυματισμού και πυρκαγιάς.
- **Όταν η μπαταρία δεν χρησιμοποιείται, πρέπει να την φυλάσσετε μακριά από άλλα μεταλλικά αντικείμενα, όπως συνδετήρες, νομίσματα, κλειδιά, καρφιά, βίδες ή άλλα μικρά μεταλλικά αντικείμενα, που μπορεί να προκαλέσουν ένωση των πόλων.** Η βραχυκύκλωση των ακροδεκτών της μπαταρίας μεταξύ τους μπορεί να προκαλέσει εγκαύματα ή πυρκαγιά.
- **Σε περίπτωση ακατάλληλου χειρισμού, μπορεί να εκπναχθεί υγρό από την μπαταρία. Αποφύγετε κάθε επαφή. Σε περίπτωση τυχαίας επαφής, ξεπλύνετε με νερό. Εάν το υγρό έρθει σε επαφή με τα μάτια, ζητήστε επίσης ιατρική βοήθεια.** Η εκτόξευση υγρού από την μπαταρία μπορεί να προκαλέσει ερεθισμούς ή εγκαύματα.
- **Μην χρησιμοποιείτε ζημιά ή εργαλεία που έχουν υποστεί ζημιά ή μεταρροπές.** Μπαταρίες οι οποίες έχουν υποστεί βλάβη ή τροποποίηση μπορεί να παρουσιάσουν απρόβλεπτη συμπεριφορά, με αποτέλεσμα την πυρκαγιά, την έκρηξη ή τον κίνδυνο τραυματισμού.
- **Μην εκθέτετε τις μπαταρίες ή τα εργαλεία σε φωτιά ή υπερβολική θερμοκρασία.** Η έκθεση σε φωτιά ή θερμοκρασίες πάνω από 130 °C μπορεί να προκαλέσει έκρηξη.
- **Ακολουθήστε όλες τις οδηγίες φόρτισης και μην φορτίζετε τις μπαταρίες ή τα εργαλεία εκτός του εύρους θερμοκρασίας που προδιαγράφεται στις οδηγίες.** Η φόρτιση με λανθασμένο τρόπο ή σε θερμοκρασίες εκτός του προδιαγραφόμενου εύρους μπορεί να προκαλέσει ζημιά στην μπαταρία και αυξάνει τον κίνδυνο πυρκαγιάς.

## Σέρβις

- **Αναθέστε το σέρβις του ηλεκτρικού σας εργαλείου σε εξειδικευμένο τεχνικό για επισκευή με τη χρήση μόνο πανομοιότυπων ανταλλακτικών.** Έτσι θα διασφαλίζεται η διατήρηση της ασφάλειας του ηλεκτρικού εργαλείου.
- **Μην εκτελείτε εργασίες σέρβις σε κατεστραμμένες μπαταρίες.** Οι εργασίες σέρβις σε μπαταρίες θα πρέπει να εκτελούνται μόνο από τον κατασκευαστή ή από εξουσιοδοτημένα καταστήματα σέρβις.

## Πρέπει πάντα να χρησιμοποιείτε την κοινή λογική

Δεν είναι δυνατό να καλυφθούν όλες οι περιπτώσεις που ενδέχεται να συναντήσετε. Πρέπει πάντα να είστε προσεκτικοί και να χρησιμοποιείτε την κοινή λογική. Αποφεύγετε καταστάσεις τις οποίες θεωρείτε πέραν των δυνατοτήτων σας. Εάν δεν αισθάνεστε σίγουροι για τις διαδικασίες χειρισμού, αφού διαβάσετε αυτές τις οδηγίες, θα πρέπει να συμβουλευτείτε κάποιον ειδικό πριν συνεχίσετε.



**ΠΡΟΕΙΔΟΠΟΙΗΣΗ:** Μην επιτρέπετε ποτέ σε παιδιά να χρησιμοποιούν ή να βρίσκονται κοντά στο μηχάνημα. Δεδομένου ότι η εκκίνηση του μηχανήματος είναι εύκολη, τα παιδιά μπορούν να το ξεκινήσουν εάν δεν βρίσκονται υπό συνεχή επίτηρηση. Αυτό μπορεί να οδηγήσει σε σοβαρό προσωπικό τραυματισμό. Συνεπώς, αποσυνδέετε τη μπαταρία, όταν το μηχάνημα δεν βρίσκεται υπό στενή εποπτεία.

## Γενικές οδηγίες ασφαλείας



**ΠΡΟΕΙΔΟΠΟΙΗΣΗ:** Προτού χρησιμοποιήσετε το προϊόν, διαβάστε τις παρακάτω προειδοποιητικές οδηγίες.

- Αφαιρέστε την μπαταρία για να αποτρέψετε ακούσια εκκίνηση του προϊόντος.
- Αυτό το προϊόν είναι ένα επικίνδυνο εργαλείο εάν δεν είστε προσεκτικοί ή δεν το χρησιμοποιείτε σωστά. Αυτό το προϊόν μπορεί να προκαλέσει σοβαρό τραυματισμό ή θάνατο του χειριστή ή άλλων ατόμων.
- Μην χρησιμοποιείτε το προϊόν εάν τροποποιηθεί από τις αρχικές του προδιαγραφές. Μην αλλάξετε ένα εξάρτημα του προϊόντος χωρίς έγκριση από τον κατασκευαστή. Χρησιμοποιήστε μόνο εξαρτήματα που έχουν εγκριθεί από τον κατασκευαστή. Λόγω της εσφαλμένης συντήρησης μπορεί να προκληθεί τραυματισμός ή θάνατος.
- Ελέγξτε το προϊόν προτού το χρησιμοποιήσετε. Ανατρέξτε στην ενότητα, *Ελεγχος πριν από την εκκίνηση στη σελίδα 90* και *Προτού χρησιμοποιήσετε το προϊόν στη σελίδα 98*. Μην χρησιμοποιείτε το προϊόν εάν έχει υποστεί ζημιά ή δεν λειτουργεί σωστά. Πραγματοποιείτε όλους τους ελέγχους ασφαλείας και τηρείτε τις οδηγίες συντήρησης και σέρβις που αναφέρονται στο παρόν χειρίδιο.
- Τα παιδιά πρέπει να εποπτεύονται ώστε να διασφαλιστεί ότι δεν παίζουν με το προϊόν. Μην επιτρέπετε ποτέ σε παιδιά ή άλλα μη εκπαιδευμένα σχετικά με τη χρήση του προϊόντος ή της μπαταρίας άτομα να χρησιμοποιούν το μηχάνημα ή/και την μπαταρία ή να πραγματοποιούν εργασίες συντήρησης σε αυτό. Η τοπική νομοθεσία πιθανώς να ορίζει την κατάλληλη ηλικία του χρήστη.

- Φυλάξτε το προϊόν σε κλειδωμένο χώρο για να αποτρέψετε την πρόσβαση σε παιδιά ή μη εγκεκριμένα άτομα.
- Αποθηκεύστε το προϊόν μακριά από παιδιά.
- Δεν επιτρέπονται, σε καμία περίπτωση, τροποποιήσεις στη σχεδίαση του προϊόντος χωρίς την έγκριση του κατασκευαστή. Πρέπει πάντα να χρησιμοποιείτε γνήσια αξεσουάρ. Η μη εξουσιοδοτημένη εκτέλεση τροποποιήσεων ή/και η χρήση μη γνήσιων αξεσουάρ μπορεί να οδηγήσει σε σοβαρό προσωπικό τραυματισμό ή θάνατο του χειριστή και άλλων ατόμων.

**Περιεχόμενα** Η χρήση μπορεί να ρυθμίζεται από εθνικούς ή τοπικούς κανονισμούς. Οι εκάστοτε κανονισμοί πρέπει να τηρούνται.

## Οδηγίες ασφαλείας για τη λειτουργία



**ΠΡΟΕΙΔΟΠΟΙΗΣΗ:** Προτού χρησιμοποιήσετε το προϊόν, διαβάστε τις παρακάτω προειδοποιητικές οδηγίες.

- **Μην χρησιμοποιείτε το μηχάνημα σε κακές καιρικές συνθήκες, ιδιαίτερα όταν υπάρχουν κίνδυνος κεραυνού.** Έτσι μειώνεται ο κίνδυνος να σας χτυπήσει κεραυνός.
- **Επιθεωρήστε προσεκτικά την περιοχή για ύπαρξη πανίδας όπου θα χρησιμοποιηθεί το μηχάνημα.** Η πανίδα μπορεί να τραυματιστεί από το μηχάνημα κατά τη διάρκεια της λειτουργίας.
- **Επιθεωρήστε προσεκτικά την περιοχή όπου θα χρησιμοποιηθεί το μηχάνημα και αφαιρέστε όλες τις πέτρες, τα κλαδιά, τα καλώδια, τα κόκκαλα και οποιαδήποτε άλλα ξένα αντικείμενα.** Τα αντικείμενα που εκτοξεύονται μπορούν να προκαλέσουν τραυματισμό.
- **Πριν από τη χρήση του μηχανήματος, επιθεωρείτε πάντα οπτικά για να βεβαιωθείτε ότι ο κόφτης και το συγκρότημα κόφτη δεν έχουν υποστεί ζημιά.** Τα εξαρτήματα που έχουν υποστεί ζημιά αυξάνουν τον κίνδυνο τραυματισμού.
- **Διατηρείτε τα προστατευτικά στη θέση τους. Τα προστατευτικά πρέπει να βρίσκονται σε λειτουργική κατάσταση και να είναι σωστά τοποθετημένα.** Εάν ένα προστατευτικό είναι χαλαρό, έχει υποστεί ζημιά ή δεν λειτουργεί σωστά, μπορεί να προκληθεί τραυματισμός.
- **Διατηρήστε όλες τις εισαγωγές αέρα ψύξης καθαρές από υπολείμματα.** Οι φραγμένες εισαγωγές αέρα και τα υπολείμματα μπορεί να προκαλέσουν υπερθέρμανση ή κίνδυνο πυρκαγιάς.
- **Να χρησιμοποιείτε πάντα προστατευτικά γυαλιά και προστατευτικά ακούς.** Ο επαρκής εξοπλισμός προστασίας θα μειώσει τους τραυματισμούς.
- **Κατά τη λειτουργία του μηχανήματος, φοράτε πάντα αντολισθητικά και προστατευτικά παπούτσια. Μην χρησιμοποιείτε το μηχάνημα με γυμνά πόδια ή φορώντας σανδάλια.** Αυτό μειώνει την πιθανότητα

τραυματισμού των ποδιών από επαφή με τον κινούμενο κόφτη.

- **Φοράτε πάντα ρούχα, όπως παντελόνια που καλύπτουν τα πόδια του χειριστή, κατά τον χειρισμό του μηχανήματος.** Η επαφή με τον κινούμενο κόφτη ή τη μεσινέζα μπορεί να προκαλέσει τραυματισμό.
- **Απομακρύνετε τυχόν παριστάμενα άτομα κατά τη λειτουργία του μηχανήματος.** Τα υτολείμματα που πέφτουν μπορεί να οδηγήσουν σε σοβαρό τραυματισμό.
- **Μην χρησιμοποιείτε το μηχανήμα πάνω από το ύψος της μέσης.** Αυτό εμποδίζει την ακούσια επαφή του κόφτη και παρέχει καλύτερο έλεγχο του μηχανήματος σε απρόβλεπτες καταστάσεις.
- **Να είστε προσεκτικοί όταν χρησιμοποιείτε το μηχανήμα σε βρεγμένο χορτάρι. Περπατάτε, ποτέ μην τρέχετε.** Αυτό μειώνει τον κίνδυνο ολίσθησης και πτώσης, γεγονός που μπορεί να οδηγήσει σε τραυματισμό.
- **Μην χρησιμοποιείτε το μηχανήμα σε υπερβολικά απότομα πρανή.** Αυτό μειώνει τον κίνδυνο απώλειας ελέγχου, ολίσθησης και πτώσης, γεγονός που μπορεί να οδηγήσει σε τραυματισμό.
- **Κατά την εργασία σε πρανή, πρέπει πάντα να είστε σίγουροι πού πατάτε, να εργάζεστε πάντα κινούμενοι εγκάρσια στις επιφάνειες με κλίση, ποτέ προς τα πάνω ή προς τα κάτω και να είστε ιδιαίτερα προσεκτικοί κατά την αλλαγή κατεύθυνσης.** Αυτό μειώνει τον κίνδυνο απώλειας ελέγχου, ολίσθησης και πτώσης, γεγονός που μπορεί να οδηγήσει σε τραυματισμό.
- **Κρατήστε όλα τα καλώδια ρεύματος και τα καλώδια μακριά από την περιοχή κοπής.** Τα καλώδια ρεύματος ή τα καλώδια μπορεί να είναι κρυμμένα σε φράχτες ή θάμνους και μπορεί να κοπούν κατά λάθος από τον δίσκο.
- **Διατηρήστε όλα τα μέρη του σώματος μακριά από τον κινούμενο κόφτη ή τη μεσινέζα. Μην απομακρύνετε υλικά από το μηχανήμα μέχρι να το αποσυνδέσετε από την πηγή τροφοδοσίας.** Ο κινούμενος κόφτης ή η μεσινέζα μπορεί να οδηγήσει σε σοβαρό τραυματισμό.
- **Μεταφέρετε το μηχανήμα απενεργοποιημένο και μακριά από το σώμα σας.** Ο σωστός χειρισμός του μηχανήματος θα μειώσει την πιθανότητα τυχαίας επαφής με έναν κινούμενο κόφτη ή μεσινέζα.
- **Χρησιμοποιείτε μόνο ανταλλακτικές κεφαλές κοπής και κόφτες ή μεσινέζες που καθορίζονται από τον κατασκευαστή. Μην αντικαθιστάτε τους κόφτες ή τις μεσινέζες με μεταλλικά σύρματα ή λεπίδες.** Η εσφαλμένη αντικατάσταση εξαρτημάτων μπορεί να προκαλέσει απώλεια ελέγχου, σπάσιμο και τραυματισμό.

## Προσωπικός εξοπλισμός προστασίας



**ΠΡΟΕΙΔΟΠΟΙΗΣΗ:** Προτού χρησιμοποιήσετε το προϊόν, διαβάστε τις παρακάτω προειδοποιητικές οδηγίες.

- Όταν χρησιμοποιείτε το προϊόν, να φοράτε πάντα εγκεκριμένο προσωπικό εξοπλισμό προστασίας. Ο προσωπικός εξοπλισμός προστασίας δεν μπορεί να εξαλείψει τον κίνδυνο τραυματισμών, ωστόσο μειώνει τη σοβαρότητά τους σε περίπτωση ατυχήματος. Ο αντιπρόσωπος θα σας βοηθήσει να επιλέξετε τον σωστό εξοπλισμό.
- Πρέπει να χρησιμοποιείτε εγκεκριμένα προστατευτικά ακοής.

(Εικ. 17)

- Πρέπει να χρησιμοποιείτε εγκεκριμένα μέσα προστασίας των ματιών. Εάν χρησιμοποιείτε προστατευτικό γείσο, πρέπει επίσης να χρησιμοποιείτε πάντα εγκεκριμένα προστατευτικά γυαλιά. Τα εγκεκριμένα προστατευτικά γυαλιά πρέπει να συμμορφώνονται με το πρότυπο ANSI Z87.1 στις Η.Π.Α. ή το πρότυπο EN 166 στις χώρες της Ε.Ε.

(Εικ. 18)

- Όταν χρειάζεται, να χρησιμοποιείτε γάντια, για παράδειγμα κατά την τοποθέτηση, την επιθεώρηση ή τον καθαρισμό του εξοπλισμού κοπής.

(Εικ. 19)

- Πρέπει να χρησιμοποιείτε μπότες προστασίας με μεταλλική ενίσχυση στην περιοχή των δακτύλων και αντιολισθητικές σόλες.

(Εικ. 20)

- Να φοράτε ρούχα από ανθεκτικό ύφασμα. Να φοράτε πάντα ανθεκτικό μακρύ παντελόνι και μακριά μανίκια. Να μην φοράτε φαρδιά ρούχα που μπορεί να πιαστούν σε κλωνάρια και κλαδιά. Μην φοράτε κοσμήματα, κοντά παντελόνια ή σανδάλια. Μην περπατάτε με γυμνά πόδια. Να δένετε τα μαλλιά σας με ασφάλεια πάνω από το ύψος των ώμων.
- Διατηρήστε κοντά τον εξοπλισμό πρώτων βοηθειών.

(Εικ. 21)

## Συσκευές ασφαλείας στο προϊόν



**ΠΡΟΕΙΔΟΠΟΙΗΣΗ:** Προτού χρησιμοποιήσετε το προϊόν, διαβάστε τις παρακάτω προειδοποιητικές οδηγίες.

Σε αυτή την ενότητα περιγράφονται τα χαρακτηριστικά ασφαλείας του προϊόντος, ο σκοπός του καθώς και ο τρόπος διεξαγωγής των ελέγχων και της συντήρησης για τη διασφάλιση της σωστής λειτουργίας του. Διαβάστε τις οδηγίες κάτω από την επικεφαλίδα *Εισαγωγή στη σελίδα 89* για να βρείτε πού βρίσκονται αυτά τα εξαρτήματα στο προϊόν σας.

Η διάρκεια ζωής του προϊόντος μπορεί να μειωθεί και ο κίνδυνος ατυχημάτων να αυξηθεί, εάν η συντήρηση του προϊόντος δεν πραγματοποιείται σωστά και εάν το σέρβις ή/και οι επισκευές δεν εκτελούνται επαγγελματικά. Εάν χρειαστείτε περισσότερες πληροφορίες, επικοινωνήστε με τον πλησιέστερο αντιπρόσωπο σέρβις.



**ΠΡΟΕΙΔΟΠΟΙΗΣΗ:** Μην χρησιμοποιείτε ποτέ ένα προϊόν με φθαρμένα εξαρτήματα ασφαλείας. Ο εξοπλισμός ασφαλείας του προϊόντος πρέπει να επιθεωρείται και να συντηρείται όπως περιγράφεται σε αυτήν την ενότητα. Εάν το προϊόν αποτύχει σε οποιοδήποτε από αυτούς τους ελέγχους, επικοινωνήστε με τον αντιπρόσωπο σέρβις για την επίσκευή του.



**ΠΡΟΣΟΧΗ:** Όλες οι εργασίες σέρβις και επισκευής στο μηχάνημα απαιτούν ειδική εκπαίδευση. Αυτό ισχύει ιδιαίτερα για τον εξοπλισμό ασφαλείας του μηχανήματος. Εάν το μηχάνημά σας αποτύχει σε κάποιον από αυτούς τους ελέγχους που περιγράφονται παρακάτω, επικοινωνήστε με τον αντιπρόσωπο σέρβις. Όταν αγοράζετε οποιοδήποτε από τα προϊόντα μας, εγγυώμαστε τη διαθεσιμότητα επαγγελματικών επισκευών και σέρβις. Εάν το κατάστημα λιανικής πώλησης από όπου προμηθευτήκατε το μηχάνημα δεν είναι αντιπρόσωπος σέρβις, ζητήστε από το κατάστημα τη διεύθυνση του πλησιέστερου αντιπροσώπου σέρβις.

#### Για να ελέγξετε το πληκτρολόγιο

1. Πατήστε παρατεταμένα το κουμπί εκκίνησης/ διακοπής λειτουργίας (A). (Εικ. 22)
  - a) Το προϊόν είναι ενεργοποιημένο όταν η λυχνία LED (B) είναι αναμμένη.
  - b) Το προϊόν είναι απενεργοποιημένο όταν η λυχνία LED (B) είναι σβηστή.
2. Ανατρέξτε στην ενότητα *Πληκτρολόγιο στη σελίδα 102* αν η προειδοποιητική ένδειξη (C) είναι αναμμένη ή αναβοσβήνει.

#### Έλεγχος της ασφάλειας της σκανδάλης γκαζιού

Η ασφάλεια της σκανδάλης γκαζιού αποτρέπει τυχόν ακούσια εκκίνηση. Όταν πατάτε την ασφάλεια της σκανδάλης γκαζιού (A), απελευθερώνεται η σκανδάλη γκαζιού (B). Εάν απελευθερώσετε τη λαβή, η σκανδάλη γκαζιού και η ασφάλεια της σκανδάλης γκαζιού επιστρέφουν στις αρχικές τους θέσεις. (Εικ. 23)

1. Βεβαιωθείτε ότι η σκανδάλη γκαζιού είναι ασφαλισμένη, όταν η ασφάλεια της σκανδάλης γκαζιού βρίσκεται στην αρχική της θέση. (Εικ. 24)
2. Πιέστε τη σκανδάλη γκαζιού και βεβαιωθείτε ότι επανέρχεται στην αρχική της θέση όταν την απελευθερώνετε. (Εικ. 25)
3. Βεβαιωθείτε ότι η σκανδάλη γκαζιού και η ασφάλεια της σκανδάλης γκαζιού κινούνται ελεύθερα και ότι το ελατήριο επαναφοράς λειτουργεί σωστά. (Εικ. 26)

4. Θέστε το προϊόν σε λειτουργία. Ανατρέξτε στην ενότητα *Εκκίνηση λειτουργίας του προϊόντος στη σελίδα 99*.
5. Ανοίξτε τέρμα το γκάτζι.
6. Απελευθερώστε τη σκανδάλη γκαζιού και βεβαιωθείτε ότι το παρελκόμενο κοπής σταματά εντελώς.

#### Για τον έλεγχο του προφυλακτήρα του εξαρτήματος κοπής



**ΠΡΟΕΙΔΟΠΟΙΗΣΗ:** Να μην χρησιμοποιείτε το εξάρτημα κοπής χωρίς έναν εγκεκριμένο και σωστά τοποθετημένο προφυλακτήρα. Χρησιμοποιείτε πάντα τον προφυλακτήρα που συνιστάται για το εξάρτημα κοπής που χρησιμοποιείτε, βλ. *Τεχνικά στοιχεία στη σελίδα 104*. Εάν τοποθετηθεί λανθασμένος ή ελαττωματικός προφυλακτήρας παρελκόμενου κοπής, μπορεί να προκληθεί σοβαρός τραυματισμός.

Ο προφυλακτήρας του παρελκόμενου κοπής σταματά τα αντικείμενα που εκτινάσσονται προς την κατεύθυνση του χειριστή. Επίσης ο προφυλακτήρας παρελκόμενου κοπής αποτρέπει τους τραυματισμούς που μπορεί να προκύψουν, εάν αγγίξετε το παρελκόμενο κοπής.

1. Σβήστε τον κινητήρα.
2. Εκτελέστε οπτικό έλεγχο για ζημιές, για παράδειγμα ρωγμές.
3. Αντικαταστήστε τον προφυλακτήρα του παρελκόμενου κοπής, αν έχει υποστεί ζημιά.

#### Εξοπλισμός κοπής

Να επιλέγετε το σωστό εξοπλισμό κοπής και να πραγματοποιείτε τις σχετικές εργασίες συντήρησης στον εξοπλισμό κοπής για:

- Να επιτυγχάνετε τη μέγιστη απόδοση κοπής.
- Να αυξήσετε τη διάρκεια ζωής του εξοπλισμού κοπής.



**ΠΡΟΕΙΔΟΠΟΙΗΣΗ:** Να χρησιμοποιείτε μόνο εξαρτήματα κοπής με τα προστατευτικά που συνιστούμε! Ανατρέξτε στην ενότητα *Τεχνικά στοιχεία στη σελίδα 104*. Ανατρέξτε στις οδηγίες για το εξάρτημα κοπής προκειμένου να ενημερωθείτε για το σωστό τρόπο φόρτωσης της μεσινέζας χορτοκοπτικού και για τη σωστή διάμετρο της μεσινέζας.



**ΠΡΟΕΙΔΟΠΟΙΗΣΗ:** Ένα ελαττωματικό εξάρτημα κοπής μπορεί να αυξήσει τον κίνδυνο ατυχημάτων.



**ΠΡΟΕΙΔΟΠΟΙΗΣΗ:** Σταματάτε πάντα τον κινητήρα προτού εκτελέσετε οποιαδήποτε εργασία στο παρελκόμενο κοπής. Ο κινητήρας συνεχίζει να περιστρέφεται αφού αφήσετε το γκάζι. Προτού ξεκινήσετε την εργασία, βεβαιωθείτε ότι το παρελκόμενο κοπής έχει σταματήσει εντελώς και βγάλτε το καπάκι του μπουζι.

### Κεφαλή χορτοκοπτικού



**ΠΡΟΕΙΔΟΠΟΙΗΣΗ:** Διασφαλίζετε πάντα ότι η μεσινέζα του χορτοκοπτικού είναι τυλιγμένη σφικτά και ομοιόμορφα γύρω από την καμπάνα για την αποφυγή επιβλαβών κραδασμών.

(Εικ. 27)

- Χρησιμοποιείτε μόνο τις συνιστώμενες κεφαλές και μεσινέζες για το χορτοκοπτικό.
- Χρησιμοποιείτε μόνο τα συνιστώμενα παρελκόμενα κοπής.
- Τα μικρότερα μηχανήματα απαιτούν μικρές κεφαλές χορτοκοπτικού και αντιστρόφως.
- Το μήκος της μεσινέζας χορτοκοπτικού είναι σημαντικό. Μια μεγαλύτερη μεσινέζα χορτοκοπτικού απαιτεί μεγαλύτερη ισχύ κινητήρα σε σχέση με μια μικρότερη της ίδιας διαμέτρου.
- Βεβαιωθείτε ότι το κοπτικό εργαλείο στον προφυλακτήρα του χορτοκοπτικού είναι άθικτο. Αυτό κόβει τη μεσινέζα χορτοκοπτικού στο σωστό μήκος.
- Εμποτίστε τη μεσινέζα του χορτοκοπτικού με νερό για μερικές ημέρες προτού το χρησιμοποιήσετε, ώστε να αυξηθεί η διάρκειά ζωής.

### Ασφάλεια μπαταρίας



**ΠΡΟΕΙΔΟΠΟΙΗΣΗ:** Προτού χρησιμοποιήσετε το προϊόν, διαβάστε τις παρακάτω προειδοποιητικές οδηγίες.

- Χρησιμοποιείτε μόνο μπαταρία της σειράς BLi και της σειράς 40-B. Για λεπτομέρειες, ανατρέξτε στην ενότητα *Τεχνικά στοιχεία στη σελίδα 104*. Οι μπαταρίες διαθέτουν κρυπτογράφηση λογισμικού.
- Χρησιμοποιήστε την επαναφορτιζόμενη μπαταρία της σειράς BLi και της σειράς 40-B ως παροχή ρεύματος αποκλειστικά για τα συναφή προϊόντα Husqvarna μόνο. Για την αποφυγή τραυματισμών, μην χρησιμοποιείτε την μπαταρία ως πηγή ηλεκτρικής ισχύος για άλλες συσκευές.
- Κίνδυνος ηλεκτροπληξίας. Μην συνδέετε τους ακροδέκτες της μπαταρίας σε κλειδιά, νομίσματα, βίδες ή άλλα μεταλλικά αντικείμενα. Αυτό μπορεί να προκαλέσει βραχυκύκλωμα της μπαταρίας.
- Μην χρησιμοποιείτε μη επαναφορτιζόμενες μπαταρίες.

- Μην τοποθετείτε αντικείμενα μέσα στις εγκοπές αερισμού της μπαταρίας.
- Διατηρείτε την μπαταρία μακριά από την ηλιακή ακτινοβολία, τη θερμότητα ή τις γυμνές φλόγες. Η μπαταρία μπορεί να προκαλέσει εγκαύματα ή/και χημικά εγκαύματα.
- Διατηρείτε την μπαταρία μακριά από συνθήκες βροχής και υγρασίας.
- Διατηρείτε την μπαταρία μακριά από πηγές μικροκυμάτων και υψηλής πίεσης.
- Μην προσπαθήσετε να αποσυναρμολογήσετε ή να διαλύσετε την μπαταρία.
- Αν η μπαταρία εμφανίσει διαρροή, φροντίστε το υγρό να μην έρθει σε επαφή με το δέρμα ή τα μάτια σας. Αν έρθει σε επαφή με το υγρό, καθαρίστε την περιοχή με άφθονο σαπουνόνερο και ζητήστε ιατρική βοήθεια. Αν έρθει υγρό σε επαφή με τα μάτια σας, μην τα τρίψετε και ξεπλύνετε τα με νερό για τουλάχιστον 15 λεπτά και αναζητήστε ιατρική βοήθεια.
- Χρησιμοποιήστε την μπαταρία σε θερμοκρασίες μεταξύ -10 °C (14 °F) και 40 °C (114 °F).
- Μην καθαρίζετε την μπαταρία ή τον φορτιστή μπαταρίας με νερό. Ανατρέξτε στην ενότητα *Για να καθαρίσετε το προϊόν, την μπαταρία και το φορτιστή της μπαταρίας στη σελίδα 101*.
- Μην χρησιμοποιείτε ελαττωματικές ή κατεστραμμένες μπαταρίες.
- Φυλάσσετε τις μπαταρίες μακριά από μεταλλικά αντικείμενα, όπως καρφιά, νομίσματα και κοσμήματα.
- Φυλάσσετε την μπαταρία μακριά από παιδιά.

### Ασφάλεια φορτιστή μπαταρίας



**ΠΡΟΕΙΔΟΠΟΙΗΣΗ:** Προτού χρησιμοποιήσετε το προϊόν, διαβάστε τις παρακάτω προειδοποιητικές οδηγίες.

- Υπάρχει κίνδυνος ηλεκτροπληξίας ή βραχυκυκλώματος εάν δεν τηρηθούν οι οδηγίες ασφαλείας.
- Μην χρησιμοποιείτε άλλους φορτιστές μπαταρίας εκτός από αυτόν που παρέχεται για το προϊόν σας. Πρέπει να χρησιμοποιείτε μόνο φορτιστές QC80 και 40-C80 για τη φόρτιση ανταλλακτικών μπαταριών της σειράς BLi και της σειράς 40-B.
- Μην επιχειρείτε να αποσυναρμολογήσετε τον φορτιστή μπαταρίας.
- Μην χρησιμοποιείτε φορτιστή μπαταρίας που παρουσιάζει ελάττωμα ή έχει υποστεί ζημιά.
- Μην σηκώνετε τον φορτιστή μπαταρίας από το καλώδιο ρεύματος. Για να αποσυνδέσετε τον φορτιστή της μπαταρίας από την πρίζα, τραβήξτε το βύσμα. Μην τραβάτε το καλώδιο.
- Κρατήστε όλα τα καλώδια και τα καλώδια επέκτασης μακριά από νερό, λάδι και αιχμηρές γωνίες. Βεβαιωθείτε ότι το καλώδιο δεν έχει μαγκώσει σε αντικείμενα όπως π.χ. πόρτες, φράχτες ή παρόμοια σημεία.



- Μην χρησιμοποιείτε τον φορτιστή μπαταρίας κοντά σε εύφλεκτα υλικά ή υλικά που μπορούν να προκαλέσουν διάβρωση. Βεβαιωθείτε ότι ο φορτιστής της μπαταρίας δεν είναι καλυμμένος. Σε περίπτωση έκλυσης καπνού ή πυρκαγιάς, βγάλτε τον φορτιστή μπαταρίας από την πρίζα.
- Να φορτίζετε την μπαταρία μόνο σε εσωτερικό χώρο σε μια θέση με καλή ροή αέρα και μακριά από ηλιακή ακτινοβολία. Μην φορτίζετε την μπαταρία σε εξωτερικούς χώρους. Μην φορτίζετε την μπαταρία σε συνθήκες υγρασίας.
- Ο φορτιστής της μπαταρίας πρέπει να χρησιμοποιείται μόνο σε σημεία όπου η θερμοκρασία είναι μεταξύ 5 °C (41 °F) και 40 °C (104 °F). Χρησιμοποιείτε τον φορτιστή σε περιβάλλον καλά αεριζόμενο, ξηρό και χωρίς σκόνη.
- Μην τοποθετείτε αντικείμενα μέσα στις εγκοπές αερισμού του φορτιστή της μπαταρίας.
- Μην συνδέετε ποτέ τους ακροδέκτες του φορτιστή της μπαταρίας σε μεταλλικά αντικείμενα γιατί μπορεί να προκύψει βραχυκύκλωμα του φορτιστή.
- Χρησιμοποιείτε εγκεκριμένες πρίζες που δεν έχουν υποστεί ζημιά. Βεβαιωθείτε ότι το καλώδιο και ο φορτιστής της μπαταρίας δεν έχουν υποστεί ζημιά. Εάν χρησιμοποιείτε καλώδια επέκτασης, βεβαιωθείτε ότι δεν έχουν υποστεί ζημιά.
- Μην φορτίζετε μη επαναφορτιζόμενες μπαταρίες στους φορτιστές μπαταρίας.
- Πρέπει να αφαιρείτε την μπαταρία προτού εκτελέσετε εργασίες συντήρησης, άλλους ελέγχους ή συναρμολόγηση του προϊόντος.
- Ο χειριστής πρέπει να εκτελεί μόνο τις εργασίες συντήρησης και σέρβις που υποδεικνύονται στο παρόν εγχειρίδιο χρήσης. Για πιο εκτεταμένες εργασίες συντήρησης και σέρβις, απευθυνθείτε στον τοπικό αντιπρόσωπο σέρβις.
- Μην καθαρίζετε την μπαταρία ή το φορτιστή μπαταρίας με νερό. Τα δραστικά απορρυπαντικά μπορεί να προκαλέσουν ζημιά στο πλαστικό.
- Εάν δεν κάνετε συντήρηση στο προϊόν, μειώνεται ο κύκλος ζωής του και αυξάνεται ο κίνδυνος ατυχημάτων.
- Απαιτείται ειδική εκπαίδευση για όλες τις εργασίες συντήρησης και επισκευής, ειδικά για τις διατάξεις ασφαλείας στο προϊόν. Αν δεν ολοκληρωθούν με επιτυχία όλοι οι έλεγχοι που περιγράφονται στο παρόν εγχειρίδιο χρήσης αφού κάνετε τη συντήρηση, απευθυνθείτε στον τοπικό αντιπρόσωπο σέρβις. Εγγυόμαστε ότι υπάρχει δυνατότητα επαγγελματικής επισκευής και σέρβις για το προϊόν σας.
- Χρησιμοποιείτε πάντα γνήσια ανταλλακτικά.

## Οδηγίες ασφαλείας για τη συντήρηση



**ΠΡΟΕΙΔΟΠΟΙΗΣΗ:** Προτού εκτελέσετε εργασίες συντήρησης στο προϊόν, διαβάστε τις παρακάτω προειδοποιητικές οδηγίες.

## Συναρμολόγηση

### Εισαγωγή



**ΠΡΟΕΙΔΟΠΟΙΗΣΗ:** Προτού συναρμολογήσετε το προϊόν, διαβάστε και κατανοήστε το κεφάλαιο για την ασφάλεια.

### Στερέωση του προφυλακτήρα του χορτοκοπτικού

1. Τοποθετήστε τον προφυλακτήρα χορτοκοπτικού πάνω στο περίβλημα του μοτέρ. (Εικ. 28).
2. Τοποθετήστε τη βίδα μέσα από το περίβλημα του μοτέρ και τον προφυλακτήρα του χορτοκοπτικού. (Εικ. 29)
3. Σφίξτε τη βίδα.

### Συναρμολόγηση κεφαλής χορτοκοπτικού

1. Γυρίστε τον άξονα εξαγωγής μέχρι η οπή του δίσκου μετάδοσης να ευθυγραμμιστεί με την οπή στο περίβλημα γραναζιών.
2. Τοποθετήστε τον πείρο ασφάλισης στην οπή για να ασφαλίσετε τον άξονα.
3. Γυρίστε την κεφαλή χορτοκοπτικού προς τα αριστερά. (Εικ. 30)

### Για τη συναρμολόγηση της χειρολαβής τύπου βρόγχου

1. Τοποθετήστε τη βίδα στη χειρολαβή τύπου βρόγχου. (Εικ. 31)
2. Συναρμολογήστε τη χειρολαβή τύπου βρόγχου στο παρελκόμενο στον άξονα.
3. Σφίξτε τις βίδες.

4. Ρυθμίστε τη χειρολαβή τύπου βρόγχου στη σωστή θέση. Ανατρέξτε στην ενότητα *Ρύθμιση της χειρολαβής τύπου βρόγχου και του τηλεσκοπικού άξονα στη σελίδα 99.*

## Τοποθέτηση του προφυλακτήρα φυτών

1. Τοποθετήστε τον προφυλακτήρα φυτών στις οπές του περιβλήματος μοτέρ. (Εικ. 32)
2. Βεβαιωθείτε ότι ο προφυλακτήρας φυτών μπορεί να κινηθεί ελεύθερα προς τα εμπρός και προς τα πίσω. (Εικ. 33)

## Τοποθέτηση του φορτιστή μπαταρίας 40-C80 στον τοίχο



**ΠΡΟΣΟΧΗ:** Μην χρησιμοποιείτε ηλεκτρικό κατσαβίδι για την τοποθέτηση του φορτιστή μπαταρίας στον τοίχο. Ένα ηλεκτρικό κατσαβίδι μπορεί να προκαλέσει ζημιά στον φορτιστή μπαταρίας.

## Λειτουργία

### Εισαγωγή



**ΠΡΟΕΙΔΟΠΟΙΗΣΗ:** Προτού χρησιμοποιήσετε το προϊόν, διαβάστε και κατανοήστε το κεφάλαιο για την ασφάλεια.

### Προτού χρησιμοποιήσετε το προϊόν

- Εξετάστε την περιοχή εργασίας για να βεβαιωθείτε ότι γνωρίζετε τον τύπο του εδάφους. Εξετάστε την κλίση του εδάφους και ελέγξτε εάν υπάρχουν εμπόδια, όπως πέτρες, κλαδιά και χαντάκια.
- Πραγματοποιήστε γενική επιθεώρηση του προϊόντος.
- Πραγματοποιήστε τους ελέγχους ασφάλειας, συντήρησης και σέρβις που δίνονται σε αυτό το εγχειρίδιο.
- Ελέγξτε τον κινητήρα για ρύπους ή ρωγμές. Χρησιμοποιήστε μια βούρτσα για να καθαρίσετε τον κινητήρα από το γρασίδι και τα φύλλα. Χρησιμοποιήστε γάντια, όταν είναι απαραίτητο.
- Ελέγξτε την κεφαλή χορτοκοπτικού και τον προφυλακτήρα παρελκόμενου κοπής εάν έχουν χτυπηθεί ή έχουν ρωγμές.
- Βεβαιωθείτε ότι όλα τα παξιμάδια και οι βίδες είναι σφιγμένα.
- Βεβαιωθείτε ότι όλα τα καλύμματα, οι προφυλακτήρες, οι χειρολαβές και ο εξοπλισμός

1. Τοποθετήστε τον φορτιστή μπαταρίας στον τοίχο με 2 βίδες (B). Αν χρειάζεται, χρησιμοποιήστε βύσματα τοίχου (A). (Εικ. 34)
2. Τοποθετήστε τις 2 τάπες στις οπές βιδών (C).
3. Συνδέστε το καλώδιο ρεύματος στον φορτιστή μπαταρίας και σε πρίζα τοίχου.

κοπής είναι σωστά συνδεδεμένα και δεν έχουν υποστεί ζημιά πριν την εκκίνηση του προϊόντος.

### Μπαταρία



**ΠΡΟΕΙΔΟΠΟΙΗΣΗ:** Προτού χρησιμοποιήσετε την μπαταρία, διαβάστε και κατανοήστε το κεφάλαιο για την ασφάλεια. Διαβάστε και κατανοήστε το εγχειρίδιο χρήσης για την μπαταρία και τον φορτιστή της μπαταρίας.

Διατηρείτε την μπαταρία και τον φορτιστή μπαταρίας στις σωστές θερμοκρασίες περιβάλλοντος.

	Θερμοκρασία περιβάλλοντος
Λειτουργία της μπαταρίας	5 °C-40 °C / 41 °F-104 °F
Φόρτιση μπαταρίας	5 °C-40 °C / 41 °F-104 °F

### Κατάσταση μπαταρίας

Στην οθόνη εμφανίζεται η κατάσταση φόρτισης και τυχόν προβλήματα της μπαταρίας.

(Εικ. 35)

Ένδειξη LED	Κατάσταση μπαταρίας (κατάσταση φόρτισης)	
	BLi10, BLi20	40-B70, 40-B140
4 λυχνίες LED αναμμένες	Δ/Υ	Η μπαταρία είναι φορτισμένη κατά 76% - 100%.
3 λυχνίες LED αναμμένες	Η μπαταρία είναι φορτισμένη κατά 76% - 100%.	Η μπαταρία είναι φορτισμένη κατά 51% - 75%.
2 λυχνίες LED αναμμένες	Η μπαταρία είναι φορτισμένη κατά 51% - 75%.	Η μπαταρία είναι φορτισμένη κατά 26% - 50%.
1 λυχνία LED είναι αναμμένη	Η μπαταρία είναι φορτισμένη κατά 26% - 50%.	Η μπαταρία είναι φορτισμένη κατά 6% - 25%.
1 λυχνία LED αναβοσβήνει	Η μπαταρία είναι φορτισμένη κατά 0% - 25%.	Η μπαταρία είναι φορτισμένη κατά 0% - 5%.

### Φόρτιση της μπαταρίας

Φορτίστε την μπαταρία, εάν είναι η πρώτη φορά που τη χρησιμοποιείτε. Μια καινούργια μπαταρία είναι φορτισμένη μόνο κατά 30%.



**ΠΡΟΣΟΧΗ:** Συνδέστε τον φορτιστή μπαταρίας σε μια πρίζα ρεύματος σύμφωνα με την τάση και τη συχνότητα που ορίζεται στην πινακίδα ονομαστικών τιμών.

Η μπαταρία δεν φορτίζεται εάν η θερμοκρασία της είναι μεγαλύτερη από 50 °C/122 °F.

1. Συνδέστε το καλώδιο της μπαταρίας στον φορτιστή.
2. Συνδέστε τον φορτιστή μπαταρίας σε μια γειωμένη πρίζα ρεύματος. Η ενδεικτική λυχνία LED φόρτισης αναβοσβήνει 1 φορά. (Εικ. 36)
3. Συνδέστε την μπαταρία στον φορτιστή. Η πράσινη ενδεικτική λυχνία LED φόρτισης ανάβει. Ο μέγιστος χρόνος φόρτισης της μπαταρίας δεν θα πρέπει να υπερβαίνει τις 24 ώρες. (Εικ. 37)
4. Πατήστε το κουμπί ένδειξης μπαταρίας. Αν ανάψουν όλες οι ενδεικτικές λυχνίες LED, η μπαταρία είναι πλήρως φορτισμένη.
5. Τραβήξτε το φινις ηλεκτρικής τροφοδοσίας, για να αποσυνδέσετε τον φορτιστή μπαταρίας από την πρίζα. Μην τραβάτε το καλώδιο.
6. Αφαιρέστε την μπαταρία από τον φορτιστή.

### Για να συνδέσετε την μπαταρία στο προϊόν



**ΠΡΟΕΙΔΟΠΟΙΗΣΗ:** Στο προϊόν πρέπει να χρησιμοποιείτε μόνο την αρχική μπαταρία της Husqvarna.

1. Φορτίστε πλήρως την μπαταρία.

2. Σπρώξτε την μπαταρία μέσα στη θήκη της στο προϊόν. Όταν η μπαταρία ασφαλίζει στη θέση της, ακούγεται ένα χαρακτηριστικό "κλικ". (Εικ. 38)



**ΠΡΟΣΟΧΗ:** Εάν η μπαταρία δεν κινείται εύκολα μέσα στη θήκη της, αυτό σημαίνει ότι δεν έχει τοποθετηθεί σωστά. Μπορεί να προκληθεί ζημιά στο προϊόν.

### Εκκίνηση λειτουργίας του προϊόντος

1. Πατήστε παρατεταμένα το κουμπί εκκίνησης/ διακοπής λειτουργίας μέχρι να ανάψει η πράσινη λυχνία LED. (Εικ. 39)
2. Πατήστε την ασφάλεια της σκανδάλης γκαζιού και τη σκανδάλη γκαζιού. Ο εξοπλισμός κοπής αρχίζει να περιστρέφεται.

### Ρύθμιση της χειρολαβής τύπου βρόγχου και του τηλεσκοπικού άξονα

1. Χαλαρώστε τη λαβή ασφάλισης και προσαρμόστε τη χειρολαβή τύπου βρόγχου στη σωστή θέση. (Εικ. 40)
2. Κλείστε τη λαβή ασφάλισης.
3. Χαλαρώστε το μοχλό στον άξονα. (Εικ. 41)
4. Ρυθμίστε το απαραίτητο μήκος στον άξονα. Βεβαιωθείτε ότι μπορείτε να δείτε το τρίγωνο στον άξονα. (Εικ. 42)
5. Κλείστε το μοχλό και σφίξτε τη βίδα.

**Περιεχόμενα** Μην τοποθετείτε τη χειρολαβή τύπου βρόγχου στα προειδοποιητικά αυτοκόλλητα στον άξονα.

### Χρήση της λειτουργίας εξοικονόμησης SavE

Αυτό το προϊόν διαθέτει μια λειτουργία εξοικονόμησης ενέργειας που ονομάζεται SavE.

**Περιεχόμενα** Η λειτουργία SavE δεν μειώνει την ισχύ κοπής του προϊόντος.

1. Πατήστε το κουμπί SavE στο πληκτρολόγιο.
2. Βεβαιωθείτε ότι η πράσινη λυχνία LED ανάβει.
3. Πατήστε ξανά το κουμπί SavE για να διακόψετε τη λειτουργία. Η πράσινη λυχνία LED σβήνει. (Εικ. 43)

## Λειτουργία αυτόματου τερματισμού

Το προϊόν διαθέτει λειτουργία αυτόματου τερματισμού που σταματά το προϊόν όταν δεν χρησιμοποιείται. Η πράσινη λυχνία LED εκκίνησης/διακοπής λειτουργίας σβήνει και το προϊόν σταματά να λειτουργεί μετά από 180 δευτερόλεπτα.

## Λειτουργία του προϊόντος

### Για ξάκρισμα του γρασιδιού

1. Κρατήστε την κεφαλή χορτοκοπτικού ακριβώς πάνω από το έδαφος, υπό γωνία. Μην πιέζετε τη μεσινέζα του χορτοκοπτικού στο γρασίδι. (Εικ. 44)
2. Μειώστε το μήκος της μεσινέζας του χορτοκοπτικού κατά 10-12 cm/4-4,75 in.
3. Μειώστε τις στροφές του κινητήρα για να μειώσετε τον κίνδυνο πρόκλησης ζημιάς στα φυτά.
4. Όταν κόβετε γρασίδι κοντά σε αντικείμενα, πρέπει να ρυθμίζετε το γκάζι στο 80%. (Εικ. 45)

### Καθαρισμός του χόρτου

1. Διατηρήστε την κεφαλή του χορτοκοπτικού επάνω από το έδαφος.
2. Γείρετε την κεφαλή του χορτοκοπτικού.
3. Κόψτε με το άκρο της μεσινέζας χορτοκοπτικού γύρω από αντικείμενα στο χώρο εργασίας.



**ΠΡΟΣΟΧΗ:** Κόψτε χόρτο. Η φθορά της μεσινέζας χορτοκοπτικού αυξάνεται με το κτύπημα άλλων αντικειμένων.

### Κοπή γρασιδιού

1. Βεβαιωθείτε ότι η μεσινέζα χορτοκοπτικού είναι παράλληλη προς το έδαφος κατά τη διάρκεια της κοπής του γρασιδιού. (Εικ. 46)

2. Μην πιέζετε την κεφαλή χορτοκοπτικού στο έδαφος. Μπορεί να προκληθεί ζημιά στο προϊόν.
3. Μετακινείτε το προϊόν από τη μία πλευρά στην άλλη όταν κόβετε γρασίδι. Χρησιμοποιήστε τη μέγιστη ταχύτητα. (Εικ. 47)

## Για τον καθαρισμό του χόρτου

Η ροή αέρα από την περιστρεφόμενη μεσινέζα χορτοκοπτικού μπορεί να χρησιμοποιηθεί για να αφαιρείτε τα κομμένα χόρτα από μια περιοχή.

1. Κρατήστε την κεφαλή και τη μεσινέζα του χορτοκοπτικού παράλληλα και πάνω από το έδαφος.
2. Ανοίξτε τέρμα το γκάζι.
3. Μετακινήστε την κεφαλή του χορτοκοπτικού από τη μία πλευρά στην άλλη και καθαρίστε το χόρτο.



**ΠΡΟΕΙΔΟΠΟΙΗΣΗ:** Να καθαρίζετε το κάλυμμα της κεφαλής χορτοκοπτικού κάθε φορά που συναρμολογείτε τη νέα μεσινέζα χορτοκοπτικού, ώστε να αποφεύγετε τυχόν ανισορροπία και κραδασμούς στις λαβές. Επίσης, να ελέγχετε και τα άλλα τμήματα της κεφαλής χορτοκοπτικού και να την καθαρίζετε, εάν είναι απαραίτητο.

## Διακοπή λειτουργίας του προϊόντος

1. Απελευθερώστε τη σκανδάλη γκαζιού και την ασφάλεια της σκανδάλης γκαζιού.
2. Πατήστε το κουμπί εκκίνησης/διακοπής λειτουργίας μέχρι να σβήσει η πράσινη λυχνία LED.
3. Πατήστε τα κουμπιά απασφάλισης της μπαταρίας και αφαιρέστε την μπαταρία από το προϊόν. (Εικ. 48)

## Αντικατάσταση μεσινέζας χορτοκοπτικού

Ανατρέξτε στην τελευταία σελίδα του παρόντος εγχειριδίου χρήσης.

## Συντήρηση

### Εισαγωγή



**ΠΡΟΕΙΔΟΠΟΙΗΣΗ:** Προτού εκτελέσετε εργασίες συντήρησης στο προϊόν, διαβάστε και κατανοήστε το κεφάλαιο για την ασφάλεια.

### Πρόγραμμα συντήρησης



**ΠΡΟΕΙΔΟΠΟΙΗΣΗ:** Προτού εκτελέσετε εργασίες συντήρησης, πρέπει να αφαιρέσετε την μπαταρία.

Ακολουθεί μια λίστα με τα βήματα συντήρησης που πρέπει να εκτελείτε στο προϊόν. Ανατρέξτε στην ενότητα *Συντήρηση στη σελίδα 100* για περαιτέρω πληροφορίες.

Συντήρηση	Καθημερι νά	Κάθε εβδομάδα	Κάθε μήνα
Καθαρίστε τα εξωτερικά μέρη του προϊόντος με στεγνό πανί. Μην χρησιμοποιείτε νερό.	X		
Ελέγξτε ότι το κουμπί εκκίνησης/διακοπής λειτουργίας λειτουργεί σωστά και δεν έχει υποστεί ζημιά.	X		
Βεβαιωθείτε ότι η σκανδάλη γκαζιού και η λειτουργία κλειδώματος της σκανδάλης γκαζιού λειτουργούν σωστά από πλευράς ασφάλειας.	X		
Βεβαιωθείτε ότι όλα τα χειριστήρια λειτουργούν και δεν έχουν υποστεί ζημιά.	X		
Διατηρήστε τις χειρολαβές στεγνές, καθαρές και χωρίς λάδια ή γράσο.	X		
Βεβαιωθείτε ότι το παρελκόμενο κοπής δεν έχει υποστεί ζημιά. Αντικαταστήστε το παρελκόμενο κοπής εάν έχει υποστεί ζημιά.	X		
Βεβαιωθείτε ότι ο προφυλακτήρας του παρελκόμενου κοπής δεν έχει υποστεί ζημιά. Αντικαταστήστε τον προφυλακτήρα του παρελκόμενου κοπής, αν έχει υποστεί ζημιά.	X		
Βεβαιωθείτε ότι οι βίδες και τα παξιμάδια είναι σφιγμένα.	X		
Βεβαιωθείτε ότι τα κουμπιά απασφάλισης στην μπαταρία λειτουργούν και ασφαλίζουν την μπαταρία στο προϊόν.	X		
Βεβαιωθείτε ότι ο φορτιστής μπαταρίας δεν έχει υποστεί ζημιά και ότι λειτουργεί σωστά.	X		
Βεβαιωθείτε ότι η μπαταρία δεν έχει υποστεί ζημιά.	X		
Βεβαιωθείτε ότι η μπαταρία είναι φορτισμένη.	X		
Βεβαιωθείτε ότι ο φορτιστής μπαταρίας δεν έχει υποστεί ζημιά.	X		
Εξετάστε όλα τα καλώδια, τους συνδέσμους και τις συνδέσεις. Βεβαιωθείτε ότι δεν έχουν υποστεί ζημιά και ότι είναι καθαρά.		X	
Ελέγξτε τις συνδέσεις μεταξύ της μπαταρίας και του προϊόντος. Ελέγξτε τη σύνδεση μεταξύ της μπαταρίας και του φορτιστή μπαταρίας.			X

## Για να ελέγξετε την μπαταρία και το φορτιστή μπαταρίας

1. Ελέγξτε την μπαταρία για ζημιές, για παράδειγμα ρωγμές.
2. Ελέγξτε τον φορτιστή της μπαταρίας για ζημιές, για παράδειγμα ρωγμές.
3. Βεβαιωθείτε ότι το καλώδιο σύνδεσης του φορτιστή της μπαταρίας δεν έχει υποστεί ζημιά και ότι δεν παρουσιάζει ρωγμές.

## Για να καθαρίσετε το προϊόν, την μπαταρία και το φορτιστή της μπαταρίας

1. Πρέπει να καθαρίζετε το προϊόν με στεγνό πανί μετά από κάθε χρήση.

2. Καθαρίστε την μπαταρία και τον φορτιστή της μπαταρίας με ένα στεγνό πανί. Διατηρήστε τις ράβδους οδήγησης της μπαταρίας καθαρές.
3. Βεβαιωθείτε ότι οι πόλοι της μπαταρίας και οι ακροδέκτες του φορτιστή της μπαταρίας είναι καθαροί προτού τοποθετήσετε την μπαταρία μέσα στο φορτιστή ή στο προϊόν.

## Έλεγχος και αντικατάσταση της κεφαλής χορτοκοπτικού

1. Ελέγξτε την κεφαλή χορτοκοπτικού για ζημιές και ρωγμές.
2. Τραβήξτε προς τα έξω το συγκρότημα της χοάνης για τη μεσινέζα χορτοκοπτικού.
3. Αφαιρέστε την κεφαλή χορτοκοπτικού. (Εικ. 49)
4. Επανατοποθέτηση κεφαλής χορτοκοπτικού.

5. Συναρμολογήστε την κεφαλή χορτοκοπτικού.  
Ανατρέξτε στην ενότητα *Συναρμολόγηση κεφαλής χορτοκοπτικού* στη σελίδα 97.

## Αντιμετώπιση προβλημάτων

### Πληκτρολόγιο

Οθόνη LED	Πιθανά σφάλματα	Πιθανές λύσεις
Η λυχνία LED σφάλματος αναβοσβήνει.	Υπερφόρτωση	Το παρελκόμενο κοπής δεν μπορεί να κινηθεί ελεύθερα. Απελευθερώστε το παρελκόμενο κοπής.
	Απόκλιση θερμοκρασίας	Αφήστε το προϊόν να κρυώσει.
Το προϊόν δεν τίθεται σε λειτουργία.	Πιέστε τη σκανδάλη γκαζιού και ταυτόχρονα πατήστε το κουμπί εκκίνησης.	Απελευθερώστε τη σκανδάλη γκαζιού και διακόψτε τη λειτουργία του προϊόντος.
Η λυχνία LED σφάλματος ανάβει με κόκκινο φως.	Πρέπει να πραγματοποιήσετε σέρβις στο προϊόν	Απευθυνθείτε στον αντιπρόσωπο σέρβις.

### Μπαταρία

Οθόνη LED	Πιθανά σφάλματα	Πιθανή ενέργεια
Η πράσινη λυχνία LED αναβοσβήνει.	Χαμηλή τάση μπαταρίας.	Φορτίστε την μπαταρία.
Η λυχνία LED σφάλματος αναβοσβήνει.	Απόκλιση θερμοκρασίας.	Χρησιμοποιήστε την μπαταρία σε θερμοκρασίες μεταξύ -10°C (14°F) και 40°C (104°F).
	Υπερβολική τάση.	Βεβαιωθείτε ότι η τάση δικτύου παροχής είναι ίδια με την τάση που αναγράφεται στην πινακίδα στοιχείων στο προϊόν. Αφαιρέστε την μπαταρία από το φορτιστή.
Η λυχνία LED σφάλματος είναι αναμμένη.	Υπερβολική διαφορά τάσης μεταξύ των στοιχείων της μπαταρίας (1 V).	Απευθυνθείτε στον τοπικό αντιπρόσωπο σέρβις.

### Φορτιστής μπαταρίας

Πρόβλημα	Πιθανά σφάλματα	Πιθανή λύση
Η λυχνία LED φόρτισης είναι κόκκινη.	Μόνιμο σφάλμα στον φορτιστή της μπαταρίας.	Απευθυνθείτε στον αντιπρόσωπο.

Πρόβλημα	Πιθανά σφάλματα	Πιθανή λύση
Η λυχνία LED φόρτισης αναβοσβήνει με πράσινο χρώμα.	Απόκλιση θερμοκρασίας, η μπαταρία είναι πολύ κρύα ή πολύ ζεστή για χρήση ή φόρτιση.	Αφήστε την μπαταρία να κρυώσει ή προθερμάνετε την. Όταν η θερμοκρασία της μπαταρίας είναι σωστή, μπορεί να χρησιμοποιηθεί ή να φορτιστεί εκ νέου. Χρησιμοποιήστε τον φορτιστή μπαταρίας σε θερμοκρασίες περιβάλλοντος μεταξύ 5 °C (41 °F) και 40 °C (104 °F).
Η λυχνία LED φόρτισης αναβοσβήνει με κόκκινο χρώμα.	Ελαττωματική μπαταρία.	Απευθυνθείτε στον αντιπρόσωπο.

## Μεταφορά, αποθήκευση και απόρριψη

### Μεταφορά και αποθήκευση

- Οι παρεχόμενες μπαταρίες ιόντων λιθίου πληρούν όλες τις απαιτήσεις της νομοθεσίας περί επικινδύνων εμπορευμάτων.
- Πρέπει να τηρείτε τις ειδικές απαιτήσεις που αναγράφονται στη συσκευασία και στις ετικέτες σχετικά με την εμπορική μεταφορά. Οι απαιτήσεις αυτές πρέπει επίσης να τηρούνται από οποιοσδήποτε τρίτους και από τους διαμετακομιστές.
- Απευθυνθείτε σε ένα άτομο ειδικά εκπαιδευμένο στα επικίνδυνα υλικά προτού στείλετε το προϊόν. Να τηρείτε όλους τους ισχύοντες εθνικούς κανονισμούς.
- Αν συσκευάσετε την μπαταρία, χρησιμοποιήστε ταινία πάνω στις ακάλυπτες επαφές. Σφηνώστε την μπαταρία μέσα στο πακέτο για να αποτρέψετε τυχόν μετακινήσεις.
- Κατά τη φύλαξη ή τη μεταφορά του προϊόντος πρέπει πάντα να αφαιρείτε την μπαταρία.
- Τοποθετήστε την μπαταρία και τον φορτιστή της μπαταρίας σε χώρο στεγνό και προστατευμένο από την υγρασία και τον παγετό.
- Μην αποθηκεύετε την μπαταρία σε χώρους όπου ενδέχεται να προκληθεί στατικός ηλεκτρισμός. Μην αποθηκεύετε την μπαταρία σε μεταλλικό κουτί.
- Η αποθήκευση της μπαταρίας πρέπει να γίνεται σε σημεία με θερμοκρασία μεταξύ 5 °C /41 °F και 25 °C/77 °F και μακριά από το άμεσο ηλιακό φως.
- Η αποθήκευση του φορτιστή της μπαταρίας πρέπει να γίνεται σε σημεία με θερμοκρασία μεταξύ 5 °C/41 °F και 45 °C/113 °F και μακριά από το άμεσο ηλιακό φως.
- Ο φορτιστής της μπαταρίας πρέπει να χρησιμοποιείται μόνο όταν η θερμοκρασία

περιβάλλοντος είναι μεταξύ 5 °C/41 °F και 40 °C/104 °F.

- Φορτίστε την μπαταρία κατά 30% έως 50% προτού την αποθηκεύσετε για μεγάλο χρονικό διάστημα.
- Η αποθήκευση του φορτιστή της μπαταρίας πρέπει να γίνεται σε χώρο κλειστό και στεγνό.
- Μην αποθηκεύετε την μπαταρία μαζί με τον φορτιστή. Μην επιτρέπεται να αγγίζουν τον εξοπλισμό παιδιά και άλλα μη εγκεκριμένα άτομα. Διατηρείτε τον εξοπλισμό σε χώρο που μπορείτε να κλειδώσετε.
- Προτού αποθηκεύσετε το προϊόν για μεγάλο χρονικό διάστημα, πρέπει να το καθαρίζετε και να εκτελείτε πλήρες σέρβις.
- Για να αποφύγετε τραυματισμούς ή ζημιές στο προϊόν κατά τη μεταφορά και την αποθήκευση, χρησιμοποιήστε το προστατευτικό μεταφοράς.
- Κατά τη μεταφορά, πρέπει να στερεώνετε καλά το προϊόν.

### Απόρριψη της μπαταρίας, του φορτιστή μπαταρίας και του προϊόντος

Τα σύμβολα που υπάρχουν επάνω στο προϊόν ή στη συσκευασία του υποδεικνύουν ότι το προϊόν δεν αποτελεί οικιακό απόρριμμα. Ανακυκλώστε το σε κέντρο ανακύκλωσης ηλεκτρικού και ηλεκτρονικού εξοπλισμού. Με αυτόν τον τρόπο συμβάλλετε στην προστασία του περιβάλλοντος και των ανθρώπων.

Απευθυνθείτε στις τοπικές αρχές, στην υπηρεσία αποκομιδής οικιακών απορριμμάτων ή στον αντιπρόσωπο για περισσότερες πληροφορίες σχετικά με την ανακύκλωση του προϊόντος.

## Τεχνικά στοιχεία

### Τεχνικά στοιχεία

	<b>215L</b>
<b>Μοτέρ</b>	
Τύπος μοτέρ	BLDC
Ταχύτητα άξονα εξόδου, σ.α.λ	6800
Πλάτος κοπής, mm	310
<b>Βάρος</b>	
Βάρος χωρίς μπαταρία, kg	2,9
<b>Εκπομπές θορύβου</b> <sup>16</sup>	
Στάθμη ηχητικής ισχύος, μετρούμενη τιμή σε dB (A)	90,5
Στάθμη ηχητικής ισχύος, εγγυημένη, $L_{WA}$ σε dB (A)	92
<b>Επίπεδα θορύβου</b> <sup>17</sup>	
Ισοδύναμη στάθμη ηχητικής πίεσης στα αυτιά του χειριστή, μετρημένη κατά EN ISO 50636-2-91, dB (A)	74,9
<b>Στάθμες κραδασμών</b> <sup>18</sup>	
Επίπεδα δονήσεων στις λαβές, μετρημένα κατά EN50636-2-91, $m/s^2$	4,5 / 2,7
Διαθέτει κεφαλή χορτοκοπτικού (γνήσια), εμπρός/πίσω.	

### Εγκεκριμένες μπαταρίες για το προϊόν

Μπαταρία	BLi10		BLi20		40-B70	40-B140
Τύπος	Ιόντων λιθίου		Ιόντων λιθίου		Ιόντων λιθίου	Ιόντων λιθίου
Χωρητικότητα μπαταρίας, Ah	Ανατρέξτε στο σήμα ονομαστικών τιμών της μπαταρίας		Ανατρέξτε στο σήμα ονομαστικών τιμών της μπαταρίας		Ανατρέξτε στο σήμα ονομαστικών τιμών της μπαταρίας	Ανατρέξτε στο σήμα ονομαστικών τιμών της μπαταρίας
Ονομαστική τάση, V	36	36,5	36	36,5	36	36

<sup>16</sup> Οι εκπομπές θορύβου στο περιβάλλον μετρούνται ως ηχητική ισχύς ( $L_{WA}$ ) σε συμμόρφωση με την Οδηγία 2000/14/ΕΚ. Η διαφορά μεταξύ της εγγυημένης και της μετρούμενης ηχητικής ισχύος είναι ότι η εγγυημένη ηχητική ισχύς περιλαμβάνει επίσης τη διασπορά στο αποτέλεσμα της μέτρησης και τις αποκλίσεις μεταξύ των διαφορετικών προϊόντων του ίδιου μοντέλου σύμφωνα με την Οδηγία 2000/14/ΕΚ.

<sup>17</sup> Τα καταγεγραμμένα στοιχεία για την αντίστοιχη στάθμη ηχητικής πίεσης του προϊόντος έχουν μια τυπική στατιστική διασπορά (τυπική απόκλιση) ίση με 2,5 dB (A).

<sup>18</sup> Τα καταγεγραμμένα στοιχεία για τη στάθμη κραδασμών έχουν τυπική στατιστική διασπορά (τυπική απόκλιση) ίση με 1,5  $m/s^2$ .



Μπαταρία	BL110		BL120		40-B70	40-B140
Βάρος, lb/kg	0,7	0,7	1,2	1,2	0,8	1,25

### Εγκεκριμένοι φορτιστές μπαταρίας για το προϊόν

Φορπιστής μπαταρίας	QC80	40-C80
Τάση δικτύου παροχής, V	100-240	100-240
Συχνότητα, Hz	50-60	50-60
Ισχύς, W	100	72
Τάση εξόδου, V d.c./ Amp, A	36/2	43/1,6

---

## Αξεσουάρ

---

### Εγκεκριμένα εξαρτήματα

Εγκεκριμένα εξαρτήματα	Τύπος	Προφυλακτήρας παρελκόμενου κοπής, κωδ. ανταλλακτικού
Κεφαλή χορτοκοπτικού	R25B (καλώδιο Ø 2 mm)	529 96 69-01

## Δήλωση Συμμόρφωσης

### Δήλωση συμμόρφωσης ΕΕ

Εμείς, η **Husqvarna AB**, SE-561 82 Huskvarna, Σουηδία,  
τηλ.: +46-36-146500, δηλώνουμε με αποκλειστική μας  
ευθύνη ότι το προϊόν:

<b>Περιγραφή</b>	Χορτοκοπτικό μπαταρίας
<b>Μάρκα</b>	Husqvarna
<b>Τύπος / Μοντέλο</b>	215iL
<b>Αναγνώριση</b>	Αριθμοί σειράς με ημερομηνία από το 2024 και έπειτα

συμμορφώνεται πλήρως με τις ακόλουθες οδηγίες και  
τους κανονισμούς της ΕΕ:

<b>Οδηγία/Κανονισμός</b>	<b>Περιγραφή</b>
2006/42/EK	"σχετικά με τα μηχανήματα"
2014/30/EE	"σχετικά με την ηλεκτρομαγνητική συμβατότητα"
2000/14/EK	"σχετικά με τις εκπομπές θορύβου στο περιβάλλον"
2011/65/EE	"σχετικά με τον περιορισμό της χρήσης ορισμένων επικίνδυνων ουσιών σε είδη ηλεκτρικού και ηλεκτρονικού εξοπλισμού"

και ότι εφαρμόζονται τα παρακάτω πρότυπα ή/και  
τεχνικές προδιαγραφές: EN 60335-1:2012/A15:2021,  
EN 50636-2-91:2014, EN IEC 63000:2018, EN IEC  
55014-1:2021; EN IEC 55014-2:2021.

Κοινοποιημένος φορέας: O 0197 TÜV Rheinland  
LGA Products GmbH, Tillystraße 2, 90431 Nürnberg,  
Germany έχει πιστοποιήσει τη συμμόρφωση με  
την οδηγία 2000/14/EK του Συμβουλίου, διαδικασία  
αξιολόγησης συμμόρφωσης: Παράρτημα VI.

Για πληροφορίες σχετικά με τις εκπομπές θορύβου,  
ανατρέξτε στην ενότητα *Τεχνικά στοιχεία στη σελίδα 104*.

Husqvarna, 2024-02-01



Claes Losdal, Διευθυντής Έρευνας και Ανάπτυξης  
Husqvarna AB

Υπεύθυνος για την τεχνική τεκμηρίωση



## Contenido

Introducción.....	107	Transporte, almacenamiento y eliminación.....	119
Seguridad.....	108	Datos técnicos.....	120
Montaje.....	114	Accesorios.....	121
Funcionamiento.....	115	Declaración de conformidad.....	122
Mantenimiento.....	117	Apéndice .....	454
Resolución de problemas.....	118		

---

## Introducción

---

### Descripción del producto

La Husqvarna 215iL es una recortadora de césped a batería con un motor eléctrico.

Trabajamos constantemente para mejorar la seguridad y la eficiencia durante el uso del producto. Póngase en contacto con su distribuidor para obtener más información.

### Uso previsto

El producto se utiliza con hilos de corte no metálicos o elementos de corte flexibles no metálicos equivalentes.

No utilice el producto para otras tareas que no sean cortar maleza, hierba o vegetación blanda similar.

**Nota:** El uso de este producto podría estar limitado por la legislación nacional.

---

### Descripción del producto

(Fig. 1)

1. Cabezal de corte
2. Protección del equipo de corte
3. Tubo
4. Ajuste del tubo (telescopico)
5. Asa cerrada
6. Teclado
7. Indicador de advertencia del teclado
8. Interruptor de arranque/parada
9. Botón SavE
10. Gatillo de alimentación
11. Bloqueo del gatillo de alimentación
12. Indicador de potencia y advertencia
13. Conector
14. Cargador de batería 40-C80
15. Cargador de batería QC80
16. Cable de alimentación
17. Salva plantas
18. Indicador de advertencia de la batería
19. Estado de la batería
20. Botón del indicador de la batería
21. Botones para extraer la batería
22. Batería
23. Herramienta combinada
24. Manual de usuario

(Fig. 4) Utilice protección ocular.

(Fig. 5) No exponer a la lluvia.

(Fig. 6) Etiqueta de emisiones sonoras en el entorno conforme con las directivas y reglamentos de la UE y el Reino Unido (incluida también la legislación de Nueva Gales del Sur, Australia). Los datos sobre las emisiones sonoras se pueden encontrar en la etiqueta de la máquina y en el capítulo Datos técnicos.

(Fig. 7) Cuando el producto esté en marcha, evite que nadie se acerque.

(Fig. 8) Desconecte la batería antes de realizar cualquier trabajo de mantenimiento.

(Fig. 9) El producto o su embalaje no son residuos domésticos. Recíclelo en un centro de reciclaje para equipos eléctricos y electrónicos.

(Fig. 10) El producto cumple con las directivas de la UE vigentes.

(Fig. 11) El producto cumple con las directivas del Reino Unido vigentes.

(Fig. 12) Corriente continua.

### Símbolos que aparecen en el producto

(Fig. 2) **ADVERTENCIA:** Este producto puede ser peligroso y ocasionar lesiones graves o mortales tanto al operador como a cualquier otra persona. Tenga cuidado y utilice el producto correctamente.

(Fig. 3) Lea detenidamente el manual de usuario y asegúrese de que entiende las instrucciones antes de usar la máquina.

**aaaassxxxx**

En la placa de características o la impresión láser se indica el número de serie. **aaaa** es el año de producción y **ss** es la semana de producción.

## Símbolos que aparecen en la batería o en el cargador de la batería

(Fig. 16) Recicle el producto en un centro de reciclaje para equipos eléctricos y electrónicos. (Aplicable solo para Europa)

(Fig. 13) Transformador a prueba de fallos.

(Fig. 14) Utilice y guarde el cargador de baterías únicamente en interiores.

(Fig. 15) Doble aislamiento.

## Daños en el producto

No nos hacemos responsables de los daños que pueda sufrir el producto si:

- El producto se ha reparado incorrectamente.
- El producto se ha reparado con piezas que no eran del fabricante o no autorizadas por el fabricante.
- El producto tiene un accesorio que no es del fabricante o no está autorizado por este.
- El producto no se ha reparado en un centro de servicio autorizado o por un organismo homologado.

## Seguridad

### Definiciones de seguridad

Las advertencias, precauciones y notas se utilizan para destacar información especialmente importante del manual.



**ADVERTENCIA:** Indica un riesgo de lesiones o incluso de muerte del usuario o de las personas cercanas si no se respetan las instrucciones del manual.



**PRECAUCIÓN:** Indica un riesgo de daños en el producto, otros materiales o el área adyacente si no se respetan las instrucciones del manual.

**Nota:** Se usa para proporcionar más información necesaria en una situación determinada.

### Advertencias generales de seguridad relacionadas con la herramienta eléctrica



**ADVERTENCIA:** Lea todas las advertencias e instrucciones de seguridad. El incumplimiento de las advertencias e instrucciones de seguridad puede ocasionar descargas eléctricas, incendios o lesiones graves.

**Nota:** Conserve todas las advertencias e instrucciones para su consulta. El término «herramienta eléctrica» empleado en las advertencias hace referencia a una herramienta eléctrica que funciona con conexión a la red de suministro (con cable) o a una herramienta que funciona con batería (sin cable).

### Comprobación previa

- No olvide extraer la batería para evitar que el producto arranque accidentalmente. No olvide extraer la batería antes de realizar cualquier tarea de mantenimiento en el producto.
- Antes de usar el producto, y después de cualquier impacto, compruebe que no hay signos de desgaste o daños y, si fuera necesario, repárelo.
- Inspeccione la zona de trabajo. Quite todos los materiales sueltos, como piedras, cristales rotos, clavos, alambres, cordones, etc., que puedan salir despedidos o enredarse en la recortadora o en su protección.
- Compruebe que el motor no está sucio ni presenta grietas. Limpie el motor de hierba y hojas con un cepillo. Se deben utilizar guantes cuando sea necesario.
- Compruebe que el cabezal de corte está bien acoplado a la recortadora.
- Compruebe que el producto esté en perfecto estado de funcionamiento. Verifique que todas las tuercas y tornillos estén apretados.
- Asegúrese de que el cabezal de corte y la protección de la recortadora no estén dañados ni presenten grietas. Cambie el cabezal de corte o la protección de la recortadora si han recibido golpes o están agrietados. Utilice siempre la protección recomendada para cada equipo de corte en particular. Consulte el capítulo Datos técnicos.
- El usuario del producto debe asegurarse de que ninguna persona o animal se acerquen a menos de 15 metros durante el trabajo. Si hay varios operarios trabajando en el mismo lugar, la distancia de seguridad entre ellos debe ser de al menos 15 metros.
- Lleve a cabo una inspección general del producto antes de su uso. Observe el programa de mantenimiento.
- El uso del producto podría estar regulado por los reglamentos nacionales o locales. Observe los reglamentos indicados.

## Seguridad en el área de trabajo

- **Mantenga el área de trabajo limpia y bien iluminada.** Las zonas abarrotadas de cosas u oscuras favorecen los accidentes.
- **No maneje herramientas eléctricas en ambientes explosivos como aquellos en los que hay líquidos, gases o polvo inflamables.** Las herramientas eléctricas producen chispas que pueden inflamar el polvo o los vapores.
- **Mantenga alejados a los niños y a otras personas mientras trabaje con una herramienta eléctrica.** Las distracciones pueden hacer que pierda el control de esta.

## Seguridad eléctrica

- **Los enchufes de las herramientas eléctricas deben corresponder a la toma de corriente utilizada. Nunca modifique el enchufe. No utilice adaptadores para las herramientas eléctricas con conexión a tierra.** Los enchufes sin modificar y las tomas de corriente del mismo tipo ayudan a reducir el riesgo de descarga eléctrica.
- **Evite el contacto de su cuerpo con superficies puestas a tierra como tuberías, radiadores, cocinas y neveras.** Si su cuerpo está en contacto con el suelo, existe un mayor riesgo de descarga eléctrica.
- **No exponga las herramientas eléctricas a la lluvia o a ambientes húmedos.** El riesgo de recibir descargas eléctricas aumentará si penetra agua en la herramienta eléctrica.
- **Maneje el cable con cuidado. No lo utilice nunca para transportar, tirar o desenchufar la herramienta eléctrica. Manténgalo alejado de fuentes de calor, aceite, aristas vivas o piezas móviles.** Los cables dañados o enredados incrementan el riesgo de descarga eléctrica.
- **Cuando trabaje con una herramienta eléctrica en exteriores, utilice un alargador indicado para este uso.** Utilizar un cable adecuado para su uso en exteriores reduce el riesgo de descarga eléctrica.
- **Si es necesario utilizar una herramienta eléctrica en un lugar húmedo, utilice suministro eléctrico protegido con un interruptor diferencial.** La utilización de un interruptor diferencial reduce el riesgo de descargas eléctricas.

## Seguridad personal

- **Esté siempre atento, fíjese en lo que está haciendo y utilice el sentido común cuando maneje una herramienta eléctrica. No utilice herramientas eléctricas si está cansado o bajo los efectos de estupefacientes, alcohol o medicamentos.** Un momento de descuido, mientras se trabaja con herramientas eléctricas, puede causar lesiones graves.
- **Utilice el equipo de protección individual. Protéjase siempre los ojos.** El equipo de protección, como la mascarilla antipolvo, los zapatos de seguridad antideslizantes, el casco o los protectores auditivos,

utilizados en función de las condiciones de trabajo, reducirá el riesgo de lesiones.

- **Evite el encendido accidental de la herramienta. Asegúrese de que el interruptor está en la posición de apagado antes de conectar la máquina a la fuente de alimentación o la batería, cogerla o transportarla.** Transportar herramientas eléctricas con el dedo puesto sobre el interruptor o encenderlas con el interruptor en la posición de encendido puede provocar accidentes.
- **Quite todas las clavijas de ajuste o llaves de tuercas antes de encender la herramienta eléctrica.** Una llave de tuercas o clavija de ajuste que se ha dejado colocada en una pieza giratoria de la herramienta eléctrica puede causar lesiones.
- **No se estire demasiado. Mantenga una posición correcta y el equilibrio en todo momento.** Esto le permitirá controlar mejor la herramienta eléctrica en situaciones imprevistas.
- **Utilice la ropa adecuada. No utilice nunca ropa amplia ni joyas. Mantenga el pelo y la ropa alejados de las piezas móviles.** La ropa amplia, las joyas o el pelo largo pueden quedar atrapados en las piezas móviles.
- **Si se suministran equipos de aspiración o captación de polvo, asegúrese de que estén conectados y se utilicen correctamente.** El uso de estos equipos puede reducir los riesgos derivados del polvo.
- **Evite que la familiaridad adquirida con el uso frecuente de las herramientas le lleve a confiarse e ignorar las medidas de seguridad al utilizarlas.** Una acción negligente puede causar lesiones graves en una fracción de segundo.
- La emisión de vibración durante el uso de la herramienta eléctrica puede ser diferente del valor indicado en función del uso de la misma. El usuario debe conocer las medidas de seguridad necesarias que se basan en una estimación de la exposición en condiciones de uso reales (teniendo en cuenta todas las partes del ciclo de funcionamiento, como el período en que la herramienta está apagada y el funcionamiento en ralentí además del gatillo).

## Uso y cuidado de la herramienta eléctrica

- **No sobrecargue la herramienta eléctrica. Utilice la herramienta eléctrica adecuada para el trabajo que debe realizar.** Con la herramienta eléctrica apropiada hará el trabajo mejor y con mayor seguridad a la potencia para la que fue diseñada.
- **No utilice la herramienta eléctrica si el interruptor no funciona.** Las herramientas que no se puedan controlar con el interruptor son peligrosas y deben repararse.
- **Desconecte el enchufe de la fuente de alimentación o quite la batería (si se puede desmontar) de la herramienta eléctrica antes de realizar cualquier ajuste, cambiar accesorios o guardarla.** Estas medidas de seguridad preventivas reducen el riesgo de encendido accidental de la herramienta eléctrica.

- **Guarde las herramientas eléctricas que no se utilicen fuera del alcance de los niños y no permita que personas no familiarizadas con su uso o con estas instrucciones las manejen.** Las herramientas eléctricas resultan peligrosas en manos de usuarios no cualificados.
- **Compruebe que las herramientas eléctricas y los accesorios están a punto. Compruebe que no haya partes móviles mal alineadas o trabadas, piezas rotas o cualquier otra circunstancia que pueda afectar al funcionamiento de la herramienta eléctrica. Si detecta daños, haga reparar la herramienta eléctrica antes de utilizarla.** Muchos accidentes se deben al uso de herramientas eléctricas que carecen de un mantenimiento adecuado.
- **Mantenga las herramientas de corte afiladas y limpias.** Las herramientas de corte con aristas afiladas y un mantenimiento adecuado tienen menos probabilidades de trabarse y son más fáciles de controlar.
- **Utilice la herramienta eléctrica, los accesorios, útiles, etc. según se indica en estas instrucciones, teniendo en cuenta las condiciones de trabajo y la tarea que debe realizar.** El uso de la herramienta eléctrica para trabajos distintos a aquellos para los que fue diseñada podría dar lugar a situaciones peligrosas.
- **Mantenga los mangos y superficies de agarre secos, limpios y sin aceite ni grasa.** Las superficies de agarre y los mangos resbaladizos no permiten manejar y controlar de forma segura la herramienta ante cualquier imprevisto.

### Uso y cuidado de la herramienta a batería

- **Efectúe las recargas únicamente con el cargador especificado por el fabricante.** Un cargador apto para un tipo de batería puede comportar riesgo de incendio al utilizarse con otra batería distinta.
- **Utilice los productos exclusivamente con las baterías específicas para ellos.** El uso de otra batería puede comportar riesgo de lesiones e incendio.
- **Cuando no utilice la batería, manténgala alejada de objetos metálicos pequeños que puedan conectar un terminal con otro, como clips, monedas, llaves, clavos, tornillos, etc.** Un cortocircuito en los terminales de la batería puede causar quemaduras o un incendio.
- **En condiciones extremas, el líquido puede salir expulsado de la batería; evite cualquier contacto con él. Si se produjera un contacto accidentalmente, enjuáguese con agua. Además, si el líquido entra en contacto con los ojos, busque asistencia médica.** El líquido expulsado de la batería puede causar irritaciones o quemaduras.
- **No utilice una batería o herramienta defectuosa, dañada o modificada.** Las baterías dañadas o modificadas pueden comportarse de forma impredecible y provocar incendios, explosiones o riesgo de lesiones.

- **No exponga la batería o la herramienta al fuego ni a temperaturas excesivas.** La exposición al fuego o a temperaturas superiores a 130 °C puede provocar una explosión.
- **Siga todas las instrucciones de carga y no cargue la batería o la herramienta fuera del intervalo de temperaturas especificado en las instrucciones.** La carga incorrecta o a temperaturas fuera del intervalo especificado puede dañar la batería y aumentar el riesgo de incendio.

### Servicio técnico

- **Solicite que su herramienta eléctrica sea reparada por personal cualificado y utilizando únicamente piezas de repuesto originales.** Esto garantizará la seguridad de la herramienta.
- **No revise baterías dañadas.** La revisión de las baterías solo debe realizarla el fabricante o proveedores de servicios autorizados.

### Emplee siempre el sentido común.

Es imposible abarcar todas las situaciones en las que puede encontrarse. Utilice siempre el equipo con cuidado y sentido común. Evite todas aquellas situaciones que considere que sobrepasan sus capacidades. Si, después de leer estas instrucciones, no está seguro del procedimiento que debe seguir, consulte a un experto antes de utilizar el equipo.



**ADVERTENCIA:** No permita nunca que los niños utilicen la máquina ni permanezcan cerca de ella. La máquina es muy fácil de arrancar y los niños podrían hacerlo si no se les vigila lo suficiente. Ello puede comportar riesgo de daños personales graves. Por consiguiente, desconecte la batería cuando la máquina no esté bajo control.

### Instrucciones generales de seguridad



**ADVERTENCIA:** Lea las siguientes instrucciones de advertencia antes de utilizar el producto.

- Extraiga la batería para evitar que el producto arranque accidentalmente.
- Este producto es una herramienta peligrosa si no se usa con cuidado o si se utiliza de forma incorrecta. Este producto puede ocasionar lesiones graves o mortales tanto al usuario como a cualquier otra persona.
- No utilice el producto si se ha modificado respecto de sus especificaciones iniciales. No cambie una parte del producto sin la autorización del fabricante. Utilice únicamente las piezas que están autorizadas por el fabricante. Las lesiones o la muerte son un posible resultado de un mantenimiento incorrecto.

- Compruebe el producto antes de utilizarlo. Consulte *Comprobación previa en la página 108 y Antes de utilizar el producto en la página 115*. No utilice un producto que esté dañado o que no funcione correctamente. Lleve a cabo las comprobaciones de seguridad y siga las instrucciones de mantenimiento y servicio descritas en este manual.
- Debe vigilarse a los niños para asegurarse de que no juegan con el producto. No permita nunca que los niños ni otras personas sin formación utilicen o reparen el producto o su batería. La legislación local regula la edad del usuario.
- Mantenga el producto en un área cerrada para impedir el acceso a niños o personas no autorizadas.
- Guarde el producto lejos del alcance de los niños.
- Bajo ninguna circunstancia debe modificarse la configuración original del producto sin autorización del fabricante. Utilice siempre accesorios originales. Las modificaciones o la utilización de accesorios no autorizadas pueden ocasionar accidentes graves o incluso la muerte del usuario o de terceros.

**Nota:** El uso podría estar regulado por la legislación nacional o local. Observe los reglamentos indicados.

## Instrucciones de seguridad para el funcionamiento



**ADVERTENCIA:** Lea las siguientes instrucciones de advertencia antes de utilizar el producto.

- **Evite utilizar la máquina en condiciones meteorológicas adversas, especialmente si hay riesgo de tormenta eléctrica.** Esto disminuye el riesgo de recibir un rayo.
  - **Inspeccione a fondo la zona donde se va a utilizar la máquina por si hubiera animales.** La máquina puede lesionar a los animales mientras funciona.
  - **Inspeccione detenidamente la zona donde va a utilizar la máquina y retire todas las piedras, palos, alambres, huesos y cualquier otro objeto extraño.** Los objetos que salen despedidos pueden provocar lesiones.
  - **Antes de utilizar la máquina, realice siempre una inspección visual para comprobar que la recortadora no está dañada.** Las piezas dañadas aumentan el riesgo de lesiones.
  - **Mantenga las protecciones colocadas en su lugar. Las protecciones deben estar en buen estado y montadas correctamente.** Una protección suelta, dañada o que no funcione correctamente puede provocar lesiones.
  - **Mantenga las entradas de refrigeración limpias de todo tipo de suciedad.** Las entradas de aire bloqueadas y los residuos pueden provocar el sobrecalentamiento de la máquina o riesgo de incendio.
- **Utilice siempre protección ocular y protectores auriculares.** Un equipo de protección adecuado reducirá el riesgo de sufrir lesiones.
  - **Durante el funcionamiento de la máquina, lleve siempre calzado antideslizante y de protección. No use la máquina descalzo o con sandalias abiertas.** Esto reduce la posibilidad de lesiones en los pies por contacto con la recortadora en movimiento.
  - **Lleve siempre ropa, como pantalones largos, que cubra las piernas del usuario mientras maneja la máquina.** El contacto con la recortadora o el hilo de corte en movimiento puede causar lesiones.
  - **Mantenga a los transeúntes alejados mientras trabaja con la máquina.** Los restos que salen despedidos pueden provocar graves lesiones.
  - **No opere la máquina por encima de la altura de la cintura.** De esta manera, se evita el contacto involuntario con la recortadora y se tiene un control mayor de la máquina en caso de imprevistos.
  - **Tenga cuidado cuando trabaje con la máquina con hierba húmeda. Camine, en ningún caso corra.** Esto reduce el riesgo de resbalones y caídas, lo que puede provocar lesiones.
  - **No opere la máquina en pendientes excesivamente pronunciadas.** Esto reduce el riesgo de perder el control, resbalarse o caerse, lo que podría provocar lesiones.
  - **Cuando trabaje en pendientes, asegúrese siempre de tener los pies firmemente asentados, trabaje siempre en perpendicular a la superficie de las pendientes, nunca hacia arriba o hacia abajo, y extreme la precaución al cambiar de dirección.** Esto reduce el riesgo de perder el control, resbalarse o caerse, lo que podría provocar lesiones.
  - **Mantenga todos los cables alejados de la zona de corte.** Puede haber cables ocultos en setos o arbustos que pueden cortarse accidentalmente con la cuchilla o el hilo de corte.
  - **Mantenga todas las partes del cuerpo lejos de la cuchilla de la recortadora. No intente retirar el material de la máquina hasta que la haya desconectado de la fuente de alimentación.** La cuchilla o el hilo de corte en movimiento pueden provocar lesiones graves.
  - **Lleve la máquina apagada y alejada del cuerpo.** El manejo correcto de la máquina reducirá las posibilidades de contacto accidental con una cuchilla o un hilo de corte en movimiento.
  - **Utilice exclusivamente cabezales de corte, cuchillas e hilos de corte especificadas por el fabricante. No sustituya las cuchillas o el hilo de la recortadora por cuchillas o cables metálicos.** Las piezas de repuesto incorrectas pueden causar la pérdida del control de la máquina, su avería y lesiones.

### Equipo de protección personal



**ADVERTENCIA:** Lea las siguientes instrucciones de advertencia antes de utilizar el producto.

- Para trabajar con el producto, debe utilizar siempre un equipo de protección personal homologado. El equipo de protección personal no elimina completamente el riesgo de lesiones, pero reduce la gravedad de las lesiones en caso de accidente. Deje que el distribuidor le ayude a seleccionar el equipo adecuado.
- Utilice protección auditiva homologada.

(Fig. 17)

- Utilice protección ocular homologada. Si se utiliza visor, deben utilizarse también gafas protectoras homologadas. Por gafas protectoras homologadas se entienden las que cumplen con la norma ANSI Z87.1 para EE. UU. o EN 166 para países de la UE.

(Fig. 18)

- Utilice guantes cuando sea necesario, por ejemplo, para el montaje, inspección o limpieza del equipo de corte.

(Fig. 19)

- Use botas de protección con puntera de acero y suela antideslizante.

(Fig. 20)

- Use indumentaria de material resistente. Use siempre pantalones largos y gruesos, y mangas largas. No lleve ropa suelta que pueda quedar atrapada en los arbustos y ramas. No utilice joyas, pantalones cortos ni sandalias. No vaya con los pies descalzos. Recójase el pelo por encima de los hombros.
- Mantenga cerca el equipo de primeros auxilios.

(Fig. 21)

## Dispositivos de seguridad en el producto



**ADVERTENCIA:** Lea las siguientes instrucciones de advertencia antes de utilizar el producto.

En este apartado se describen los componentes de seguridad del producto, su función y el modo de efectuar el control y el mantenimiento para garantizar un funcionamiento óptimo. Consulte las instrucciones del apartado *Introducción en la página 107* para conocer dónde se encuentran estas piezas en el producto.

La vida útil del producto puede acortarse y el riesgo de accidentes puede aumentar si el mantenimiento no se hace de forma adecuada y si los trabajos de servicio y reparación no se efectúan de forma profesional. Si necesita más información, solicítela al distribuidor de su zona.



**ADVERTENCIA:** No emplee nunca un producto cuyos componentes de seguridad estén dañados. Efectúe la inspección y el mantenimiento del equipo de seguridad del producto tal como se describe en este apartado. Si el producto

no supera cualquiera de estas pruebas, póngase en contacto con el taller de servicio para repararlo.



**PRECAUCIÓN:** Todos los trabajos de servicio y reparación de la máquina requieren una formación especial. Esto es especialmente cierto en lo que respecta al equipo de seguridad del producto. Si la máquina no pasa alguno de los controles indicados a continuación, acuda a su taller de servicio local. La compra de alguno de nuestros productos le garantiza que puede recibir un mantenimiento y servicio profesional. Si no ha adquirido la máquina en uno de nuestros distribuidores especializados con taller de servicio, solicite información sobre el taller más cercano.

### Comprobación del teclado

1. Mantenga presionado el botón de arranque/parada (A). (Fig. 22)
  - a) El producto está encendido cuando el LED (B) está iluminado.
  - b) El producto está apagado cuando el LED (B) no está iluminado.
2. Consulte *Teclado en la página 118* si el indicador de advertencia (C) se enciende o parpadea.

### Comprobación del bloqueo del gatillo de alimentación

El bloqueo del gatillo de alimentación impide el arranque accidental. Al presionar el bloqueo (A), el gatillo de alimentación (B) se desacopla. Al soltar el mango, el gatillo de alimentación y el bloqueo regresan a sus posiciones iniciales.

(Fig. 23)

1. Asegúrese de que el gatillo de alimentación esté bloqueado cuando el bloqueo regrese a su posición inicial. (Fig. 24)
2. Empuje el gatillo de alimentación y asegúrese de que vuelve a su posición inicial al soltarlo. (Fig. 25)
3. Compruebe que el gatillo de alimentación y su bloqueo se mueven con facilidad, y que el muelle de retorno funciona correctamente. (Fig. 26)
4. Arranque el producto. Consulte la sección *Arranque del producto en la página 116*.
5. Aplique la máxima potencia.
6. Suelte el gatillo de alimentación y asegúrese de que el equipo de corte se detiene completamente.

### Comprobación de la protección del equipo de corte



**ADVERTENCIA:** No utilice un equipo de corte si no está equipado con una protección homologada y debidamente



montada. Utilice siempre la protección del equipo de corte recomendada para el equipo de corte que esté utilizando; consulte *Datos técnicos en la página 120*. Si se monta una protección del equipo de corte incorrecta o defectuosa, esto puede causar daños personales graves.

La protección del equipo de corte evita que los objetos salgan despedidos hacia el usuario. La protección del equipo de corte también evita daños al impedir el contacto con el equipo de corte.

1. Pare el motor.
2. Compruebe visualmente si hay daños como, por ejemplo, grietas.
3. Si la protección del equipo de corte está dañada, cámbiela.

### Equipo de corte

Seleccione el equipo de corte adecuado y realice las tareas de mantenimiento en el equipo de corte para:

- Obtener un rendimiento de corte óptimo.
- Prolongar la vida útil del equipo de corte.



**ADVERTENCIA:** Utilice únicamente el equipo de corte con la protección recomendada por nosotros. Consulte el apartado *Datos técnicos en la página 120*. Lea las instrucciones del equipo de corte para montar correctamente el hilo de corte y elegir el diámetro de hilo correcto.



**ADVERTENCIA:** Un equipo de corte defectuoso puede aumentar el riesgo de accidentes.



**ADVERTENCIA:** Pare siempre el motor antes de realizar ningún trabajo con el equipo de corte. Este continúa girando después de soltar el acelerador. Asegúrese de que el equipo de corte se ha detenido completamente y desconecte el sombrerete de la bujía antes de comenzar a trabajar en equipo.

### Cabezal de corte



**ADVERTENCIA:** Asegúrese siempre de que el hilo de corte esté enrollado de forma firme y uniforme en el rodillo, para evitar vibraciones perjudiciales para la salud.

(Fig. 27)

- Utilice únicamente los cabezales e hilos de corte recomendados.

- Utilice únicamente los equipos de corte recomendados.
- Las máquinas más pequeñas requieren cabezales de corte pequeños y viceversa.
- La longitud del hilo de corte es importante. Un hilo más largo requiere mayor potencia del motor que uno corto, con el mismo diámetro del hilo.
- Controle que el cuchillo que hay en la protección de la recortadora esté intacto. Se encarga de cortar el hilo de corte a la largura correcta.
- Ponga en agua el hilo de corte un par de días antes de usarlo para aumentar su vida útil.

### Seguridad de la batería



**ADVERTENCIA:** Lea las siguientes instrucciones de advertencia antes de utilizar el producto.

- Utilice únicamente las baterías serie BLi y serie 40-B. Para obtener más información, consulte *Datos técnicos en la página 120*. La batería está codificada mediante cifrado por software.
- Utilice las baterías recargables de la serie BLi y de la serie 40-B como fuente de alimentación solo para los productos Husqvarna relacionados. Para evitar lesiones, no utilice la batería como fuente de alimentación de otros dispositivos.
- Riesgo de descarga eléctrica. Evite que los terminales de la batería entren en contacto con llaves, monedas, tornillos u otros objetos metálicos. Esto puede provocar un cortocircuito en la batería.
- No utilice baterías no recargables.
- No coloque objetos en las ranuras de ventilación de la batería.
- Mantenga la batería lejos de la luz directa del sol, de fuentes de calor o de las llamas. La batería puede provocar quemaduras o quemaduras químicas.
- Mantenga la batería resguardada de la lluvia y la humedad.
- Mantenga la batería lejos de microondas y fuentes de alta presión.
- No intente desmontar o romper la batería.
- Si se produce una fuga en la batería, no permita que el líquido entre en contacto con el cuerpo ni con los ojos. Si toca el líquido, limpie el área con abundante agua y jabón, y solicite atención médica. Si el líquido entra en contacto con los ojos, no los frote: enjuáguelos con abundante agua durante al menos 15 minutos y solicite atención médica.
- Utilice la batería a temperaturas entre -10 °C (14 °F) y 40 °C (114 °F).
- No limpie la batería ni el cargador con agua. Consulte *Para limpiar el producto, la batería y el cargador de la batería en la página 118*.
- No utilice una batería defectuosa o dañada.
- Guarde la batería alejada de objetos metálicos, como clavos, tornillos o joyas.

- Mantenga la batería alejada de los niños.

## Seguridad del cargador de batería



**ADVERTENCIA:** Lea las siguientes instrucciones de advertencia antes de utilizar el producto.

- Existe riesgo de descarga eléctrica o cortocircuito si no se siguen las instrucciones de seguridad.
- No utilice cargadores de batería diferentes al suministrado con su producto. Utilice únicamente cargadores QC80 y 40-C80 para cargar las baterías de repuesto de la serie BLi y de la serie 40-B.
- No intente desmontar el cargador de batería.
- No utilice un cargador de batería defectuoso o dañado.
- No levante el cargador de batería tirando del cable de alimentación. Para desconectar el cargador de batería de la toma de corriente, tire del enchufe. No tire del cable de alimentación.
- Mantenga todos los cables y cables de extensión, alejados del agua, el aceite y los bordes afilados. Proceda con cuidado para evitar que el cable se enganche en objetos como puertas, vallas o similares.
- No utilice el cargador de batería cerca de materiales inflamables o corrosivos. Asegúrese de que el cargador de batería no está cubierto. Desenchufe el cargador de batería si produce humo o se incendia.
- Cargue la batería solo en interiores, en un lugar con buena ventilación y lejos de la luz solar directa. No cargue la batería en el exterior. No cargue la batería en un entorno húmedo.
- Utilice solamente el cargador de batería a temperaturas entre 5 °C (41 °F) y 40 °C (104 °F). Utilice el cargador en un entorno ventilado, seco y sin polvo.
- No cubra las ranuras de ventilación del cargador.
- Evite que los terminales del cargador de batería entren en contacto con objetos metálicos: pueden cortocircuitar el cargador.

- Utilice tomas de corriente homologadas y que estén en buen estado. Asegúrese de que el cable del cargador de batería no esté dañado. Si utiliza cables de extensión, asegúrese de que no estén dañados.
- No intente cargar baterías no recargables en los cargadores de batería.

## Instrucciones de seguridad para el mantenimiento



**ADVERTENCIA:** Lea las instrucciones de advertencia siguientes antes de realizar el mantenimiento del producto.

- Retire la batería antes de realizar tareas de mantenimiento, otras comprobaciones o montar el producto.
- El usuario debe realizar solo el mantenimiento y las reparaciones indicadas en este manual. Acuda a su taller de servicio autorizado para las tareas de mantenimiento y reparaciones más importantes.
- No limpie la batería o el cargador con agua. Los detergentes agresivos pueden provocar daños en el plástico.
- Si no se realiza el mantenimiento, el ciclo de vida del producto disminuye y aumenta el riesgo de accidentes.
- Para realizar todos los trabajos de mantenimiento y reparación, especialmente en los dispositivos de seguridad en el producto, es necesaria una formación especial. Si no están aprobadas todas las comprobaciones de este manual de usuario después de realizar tareas de mantenimiento, acuda al taller de su distribuidor local. Le garantizamos que realizarán reparaciones y mantenimiento profesionales en su producto.
- Utilice únicamente piezas de repuesto originales.

## Montaje

### Introducción



**ADVERTENCIA:** Asegúrese de leer y comprender el capítulo sobre seguridad antes de montar el producto.

### Montaje de la protección de la recortadora

1. Coloque la protección de la recortadora contra el alojamiento del motor. (Fig. 28).

2. Coloque el tornillo a través del alojamiento del motor y de la protección de la recortadora. (Fig. 29)
3. Apriete el perno.

### Montaje del cabezal de corte

1. Gire el eje de salida hasta que el orificio del disco de arrastre coincida con el orificio de la caja de engranajes.
2. Introduzca el pasador de bloqueo en el orificio para bloquear el tubo.
3. Gire el cabezal de corte hacia la izquierda. (Fig. 30)

## Montaje del mango cerrado

1. Coloque el tornillo en el mango cerrado. (Fig. 31)
2. Coloque el mango cerrado en el tubo.
3. Apriete los tornillos.
4. Ajuste el mango cerrado en una posición correcta. Consulte la sección *Ajuste del mango cerrado y el tubo telescópico en la página 116*.

## Instalación del protector de plantas

1. Instale el protector de plantas en los orificios del alojamiento del motor. (Fig. 32)
2. Asegúrese de que el protector de plantas puede moverse hacia adelante y hacia atrás libremente. (Fig. 33)

## Instalación del cargador de batería 40-C80 en la pared



**PRECAUCIÓN:** No utilice un destornillador eléctrico para instalar el cargador de batería en la pared, ya que puede provocar daños en el cargador de batería.

1. Instale el cargador de batería en la pared con los 2 tornillos (B). Utilice tacos (A) si es necesario. (Fig. 34)
2. Instale los 2 tapones en los orificios de los tornillos (C).
3. Conecte el cable de alimentación al cargador de batería y a una toma de corriente.

## Funcionamiento

### Introducción



**ADVERTENCIA:** Asegúrese de leer y comprender el capítulo sobre seguridad antes de usar el producto.

### Antes de utilizar el producto

- Examine la zona de trabajo para asegurarse de que se conoce el tipo de terreno. Examine la pendiente del terreno y si hay obstáculos como piedras, ramas y zanjas.
- Realice una inspección general del producto.
- Lleve a cabo las inspecciones de seguridad, y las labores de mantenimiento y servicio que se indican en este manual.
- Examine el motor en busca de suciedad o grietas. Utilice un cepillo para limpiar el motor de hierba y hojas. Utilice guantes cuando sea necesario.
- Examine el cabezal de corte y la protección del equipo de corte para comprobar si presenta daños o grietas. Cambie el cabezal de corte y la protección del equipo de corte si han recibido golpes o si presentan grietas.
- Asegúrese de que las tuercas y los tornillos están bien apretados.
- Asegúrese de que todas las tapas, protecciones y mangos, y el equipo de corte estén bien montados

y no presenten daños antes de poner en marcha el producto.

### Batería



**ADVERTENCIA:** Asegúrese de leer y comprender el capítulo sobre seguridad antes de usar la batería. También debe leer y comprender el manual de usuario de la batería y el cargador de batería.

Mantenga la batería y el cargador de batería en lugares con una temperatura ambiente adecuada.

	Temperatura ambiente
Funcionamiento de la batería	5 °C-40 °C/41 °F-104 °F
Carga de la batería	5 °C-40 °C/41 °F-104 °F

### Estado de la batería

El display muestra el estado de carga y si hay algún problema con la batería.

(Fig. 35)

Indicador LED	Estado de la batería (estado de carga)	
	BLI10, BLI20	40-B70, 40-B140
4 testigos LED encendidos	N/P	La batería tiene una carga del 76 % al 100 %.
3 testigos LED encendidos	La batería tiene una carga del 76 % al 100 %.	La batería tiene una carga del 51 % al 75 %.

Indicador LED	Estado de la batería (estado de carga)	
	BLi10, BLi20	40-B70, 40-B140
2 testigos LED encendidos	La batería tiene una carga del 51 % al 75 %.	La batería tiene una carga del 26 % al 50 %.
1 testigo LED encendido	La batería tiene una carga del 26 % al 50 %.	La batería tiene una carga del 6 % al 25 %.
1 testigo LED parpadeando	La batería tiene una carga del 0 % al 25 %.	La batería tiene una carga del 0 % al 5 %.

## Carga de la batería

Cargue la batería si es la primera vez que la utiliza. Una batería nueva solo tiene una carga del 30 %.



**PRECAUCIÓN:** Conecte el cargador de batería a una toma de corriente cuya tensión y frecuencia coincidan con los valores indicados en la placa de características técnicas.

La batería no se cargará si su temperatura es superior a 50 °C/122 °F.

1. Conecte el cable de alimentación al cargador de batería.
2. Conecte el cargador de batería a una toma de corriente con conexión a tierra. El LED de carga parpadea una vez. (Fig. 36)
3. Conecte la batería al cargador. El LED de carga se enciende. Cargue la batería durante un máximo de 24 horas. (Fig. 37)
4. Pulse el botón del indicador de estado de la batería; si se encienden todos los testigos LED, la batería está completamente cargada.
5. Tire del enchufe o del conector para desconectar el cargador de batería de la toma de corriente. No tire del cable de alimentación.
6. Retire la batería del cargador.

## Conexión de la batería al producto



**ADVERTENCIA:** Utilice solo la batería Husqvarna original en el producto.

1. Cargue totalmente la batería.
2. Inserte la batería en el soporte del producto. La batería quedará fija en su posición cuando oiga un clic. (Fig. 38)



**PRECAUCIÓN:** Si la batería no se mueve con facilidad en el soporte, no se habrá instalado correctamente. Esto puede provocar daños en el producto.

## Arranque del producto

1. Mantenga pulsado el botón de arranque/parada hasta que el LED verde se encienda. (Fig. 39)
2. Presione el bloqueo y el gatillo de alimentación. El equipo de corte empieza a girar.

## Ajuste del mango cerrado y el tubo telescópico

1. Afloje la manivela de bloqueo y ajuste el mango cerrado a una posición correcta. (Fig. 40)
2. Cierre la manivela de bloqueo.
3. Afloje la palanca del tubo. (Fig. 41)
4. Ajuste la longitud necesaria del tubo. Asegúrese de que puede ver el triángulo en el tubo. (Fig. 42)
5. Cierre la palanca y apriete el tornillo.

**Nota:** No coloque el mango cerrado sobre las etiquetas de advertencia del tubo.

## Para usar la función SavE

Este producto cuenta con una función de ahorro de energía: SavE.

**Nota:** La función SavE no reduce la capacidad de corte del producto.

1. Pulse el botón SavE del teclado.
2. Asegúrese de que el LED verde se enciende.
3. Pulse de nuevo el botón SavE para desactivar la función. El LED verde se apagará. (Fig. 43)

## Función de parada automática

El producto cuenta con una función de parada que detiene el producto si no se está utilizando. El LED verde de arranque/parada se apaga y el producto se detiene al cabo de 180 segundos.

## Manejo del producto

### Para recortar la hierba

1. Mantenga el cabezal de corte inclinado justo por encima del suelo. No empuje el hilo de corte contra la hierba. (Fig. 44)
2. Reduzca la longitud del hilo de corte en 10-12 cm / 4-4,75 pulg.
3. Reduzca el régimen del motor para disminuir el riesgo de daños a las plantas.
4. Utilice un 80 % de aceleración para cortar hierba cerca de objetos. (Fig. 45)

### Desbrozar hierba

1. Mantenga el cabezal de corte por encima del suelo.
2. Incline el cabezal de corte.
3. Corte con el extremo del hilo de corte alrededor de los objetos que se encuentren en la zona de trabajo.



**PRECAUCIÓN:** Corte la hierba. El hilo de corte se desgastará más si entra en contacto con otros objetos.

### Para cortar la hierba

1. Asegúrese de que el hilo de corte esté paralelo al suelo cuando corte el césped. (Fig. 46)
2. No empuje el cabezal de corte contra el suelo. Esto puede provocar daños en el producto.
3. Mueva el producto de un lado a otro cuando corte hierba. Acelere al máximo. (Fig. 47)

### Barrer la hierba

El flujo de aire que genera el hilo de corte al girar puede usarse para retirar la hierba cortada de una zona.

1. Mantenga el cabezal de corte y el hilo de corte paralelos al suelo sin llegar a tocarlo.
2. Acelere al máximo.
3. Mueva el cabezal de corte de lado a lado para barrer la hierba.



**ADVERTENCIA:** Limpie la cubierta del cabezal de corte cada vez que coloque hilo de corte nuevo para evitar que las empuñaduras pierdan equilibrio y generen vibraciones. Revise también el resto de componentes del cabezal de corte y límpielos si es necesario.

### Parada del producto

1. Suelte el gatillo de alimentación y el bloqueo del gatillo de alimentación.
2. Pulse el botón de arranque/parada hasta que el LED verde se apague.
3. Pulse los botones de liberación de la batería para extraerla del producto. (Fig. 48)

### Sustitución del hilo de corte

Consulte la última página de este manual de usuario.

## Mantenimiento

### Introducción



**ADVERTENCIA:** Asegúrese de leer y comprender el capítulo sobre seguridad antes de realizar tareas de mantenimiento en el producto.

A continuación incluimos una lista con los pasos de mantenimiento que hay que efectuar en el producto. Consulte *Mantenimiento en la página 117* para obtener más información.

### Programa de mantenimiento



**ADVERTENCIA:** Extraiga la batería antes de realizar tareas de mantenimiento.

Mantenimiento	Diario	Semanal	Mensual
Limpie la parte exterior del producto con un trapo seco. No utilice agua.	X		
Compruebe que el botón de parada y arranque funcione correctamente y no esté dañado.	X		
Por seguridad, asegúrese de que el gatillo de alimentación y el bloqueo de dicho gatillo funcionan correctamente.	X		

Mantenimiento	Diario	Semanal	Mensual
Asegúrese de que todos los mandos funcionen y no estén dañados.	X		
Mantenga los mangos secos, limpios y sin aceite ni grasa.	X		
Asegúrese de que el equipo de corte no esté dañado. Si el equipo de corte está dañado, cámbielo.	X		
Asegúrese de que la protección del equipo de corte no esté dañada. Si la protección del equipo de corte está dañada, cámbiela.	X		
Asegúrese de que los tornillos y las tuercas están bien apretados.	X		
Asegúrese de que los botones de liberación de la batería funcionan y fijan la batería en el producto.	X		
Compruebe que el cargador de la batería no esté dañado y funcione correctamente.	X		
Asegúrese de que la batería no esté dañada.	X		
Asegúrese de que la batería está cargada.	X		
Asegúrese de que el cargador de la batería no esté dañado.	X		
Examine todos los cables, acoplamientos y conexiones. Asegúrese de que no estén dañados ni sucios.		X	
Realice una comprobación de las conexiones entre la batería y el producto. Realice una comprobación de la conexión entre la batería y el cargador de baterías.			X

### Para examinar la batería y el cargador de la batería

1. Examine la batería en busca de daños, por ejemplo, grietas.
2. Examine el cargador en busca de daños, por ejemplo, grietas.
3. Asegúrese de que el cable de alimentación del cargador de la batería no esté dañado ni agrietado.

### Para limpiar el producto, la batería y el cargador de la batería

1. Limpie el producto con un paño seco después de su uso.
2. Limpie la batería y cargador de batería con un paño limpio y seco. Mantenga las guías de la batería limpias.

3. Asegúrese de que los terminales de la batería y del cargador estén limpios antes de colocar la batería en el cargador o en el producto.

### Inspección y sustitución del cabezal de corte

1. Compruebe si el cabezal de corte presenta daños y grietas.
2. Extraiga el conjunto del conducto del hilo de corte.
3. Retire el cabezal de corte. (Fig. 49)
4. Vuelva a colocar el cabezal de corte.
5. Monte el cabezal de corte. Consulte la sección *Montaje del cabezal de corte en la página 114*.

## Resolución de problemas

### Teclado

Pantalla LED	Posibles errores	Medidas a tomar
El LED de error parpadea.	Sobrecarga	El equipo de corte no puede moverse libremente. Desmonte el equipo de corte.
	Desviación de la temperatura	Deje que el producto se enfríe.

Pantalla LED	Posibles errores	Medidas a tomar
El producto no arranca.	Pulse el gatillo de alimentación y el botón de arranque al mismo tiempo.	Suelte el gatillo de alimentación y detenga el producto.
El LED de error se enciende con una luz roja.	El producto debe revisarse.	Acuda a su taller de servicio.

## Batería

Indicadores LED	Posibles fallos	Posible acción
El LED verde parpadea.	Tensión de la batería baja.	Cargue la batería.
El LED de error parpadea.	Desviación de la temperatura.	Utilice la batería con temperaturas entre -10°C (14°F) y 40°C (104°F).
	Hay demasiada tensión.	Asegúrese de que la tensión de la red eléctrica se corresponde con la que figura en la placa de características del producto. Retire la batería del cargador.
El LED de error está encendido.	La diferencia entre las celdas es demasiado grande (1 V).	Acuda a su distribuidor.

## Cargador de batería

Problema	Posibles errores	Solución posible
El LED de carga se enciende en rojo.	Error del cargador de batería.	Póngase en contacto con su distribuidor.
El LED de carga parpadea en verde.	Desviación de la temperatura; la batería está demasiado fría o demasiado caliente para utilizarla o cargarla.	Deje que la batería se enfríe o se caliente. Cuando la batería tenga la temperatura correcta, podrá usarse o cargarse. Utilice el cargador de batería a temperaturas ambiente entre 5 °C y 40 °C (41 °F y 104 °F).
El LED de carga parpadea en rojo.	Batería defectuosa.	Póngase en contacto con su distribuidor.

---

## Transporte, almacenamiento y eliminación

---

### Transporte y almacenamiento

- Las baterías de iones de litio incluidas están sujetas a los requisitos de la normativa sobre mercancías peligrosas.
- Siga el requisito especial indicado en el paquete y en las etiquetas para el transporte comercial, incluso por terceros y agentes de transporte.
- Hable con alguien con formación especial en materiales peligrosos antes de enviar el producto. Respete todas las normativas nacionales.
- Cubra con cinta los contactos abiertos cuando ponga la batería en un paquete. Embale bien la batería en el paquete para evitar que se mueva.
- Extraiga la batería si va a guardar o transportar el producto.

- Coloque la batería y el cargador en un lugar seco y protegido de la humedad y las heladas.
- No almacene la batería en lugares donde pueda generarse electricidad estática. No guarde la batería en una caja metálica.
- Guarde la batería a una temperatura de entre 5 °C (41 °F) y 25 °C (77 °F), y protegida de la luz directa del sol.
- Guarde el cargador de la batería a una temperatura de entre 5 °C (41 °F) y 45 °C (113 °F), y protegido de la luz directa del sol.
- Utilice el cargador de la batería solo cuando la temperatura ambiente oscile entre 5 °C (41 °F) y 40 °C (104 °F).
- Cargar la batería entre el 30 % y el 50 % antes de guardarla durante periodos de tiempo largos.
- Guarde el cargador de la batería en un espacio cerrado y seco.
- Cuando guarde la batería, manténgala alejada del cargador. No permita que los niños ni otras personas no autorizadas toquen el equipo. Guarde el equipo en un lugar que pueda cerrarse con llave.
- Limpie el producto y realice un mantenimiento completo antes de guardarlo durante un periodo de tiempo prolongado.
- Utilice la protección de transporte del producto para evitar lesiones o daños en el producto durante el transporte y almacenamiento.
- Fije el producto firmemente durante el transporte.

## desecho de la batería, el cargador y el producto

Los símbolos del producto o del embalaje del producto indican que este producto no es un residuo doméstico. Recíclelo en un centro de reciclaje para equipos eléctricos y electrónicos. Esto ayudará a evitar dañar el medioambiente y las personas.

Póngase en contacto con las autoridades locales, el servicio de residuos domésticos o su distribuidor para obtener más información acerca de cómo reciclar su producto.

---

## Datos técnicos

---

### Datos técnicos

	<b>215iL</b>
<b>Motor</b>	
Tipo de motor	BLDC
Velocidad en el eje de salida, rpm	6800
Anchura de corte, mm	310
<b>Peso</b>	
Peso sin batería, kg	2,9
<b>Emisiones de ruido</b> <sup>19</sup>	
Nivel de potencia acústica medido, dB(A)	90,5
Nivel de potencia acústica garantizado L <sub>WA</sub> dB(A)	92
<b>Niveles de ruido</b> <sup>20</sup>	
Nivel de presión sonora equivalente en el oído del usuario, medido según EN ISO 50636-2-91, dB(A)	74,9

<sup>19</sup> Emisiones sonoras en el entorno medidas como potencia acústica (L<sub>WA</sub>) según la directiva 2000/14/CE. La diferencia entre la potencias acústicas garantizada y medida es que la potencia acústica garantizada también incluye la dispersión en el resultado de la medición y las variaciones entre diferentes productos del mismo modelo, según la directiva 2000/14/CE.

<sup>20</sup> Los datos de nivel de presión sonora equivalente del producto que se han recogido tienen una dispersión estadística típica (desviación estándar) de 2,5 dB(A).



	<b>215iL</b>
<b>Niveles de vibración</b> <sup>21</sup>	
Niveles de vibración en los mangos, medidos conforme a EN50636-2-91, m/s <sup>2</sup>	4,5/2,7
Equipado con cabezal de corte (original), parte delantera/trasera.	

### Baterías homologadas para el producto

Batería	BLI10		BLI20		40-B70	40-B140
Tipo	Iones de litio		Iones de litio		Iones de litio	Iones de litio
Capacidad de la batería, Ah	Consulte la etiqueta que indica la potencia de la batería		Consulte la etiqueta que indica la potencia de la batería		Consulte la etiqueta que indica la potencia de la batería	Consulte la etiqueta que indica la potencia de la batería
Tensión nominal, V	36	36,5	36	36,5	36	36
Peso, lb/kg	0,7	0,7	1,2	1,2	0,8	1,25

### Cargadores de baterías homologados para el producto

Cargador de baterías	QC80	40-C80
Tensión de red, V	100-240	100-240
Frecuencia, Hz	50-60	50-60
Potencia, W	100	72
Tensión de salida, V CC/ Amperaje, A	36/2	43/1,6

---

## Accesorios

---

### Accesorios homologados

Accesorios homologados	Tipo	Protección del equipo de corte, n.º de referencia
Cabezal de corte	R25B (diámetro del hilo: 2 mm)	529 96 69-01

<sup>21</sup> Los datos referidos del nivel de vibración poseen una dispersión estadística típica (desviación típica) de 1,5 m/s<sup>2</sup>.

# Declaración de conformidad

## Declaración de conformidad UE

Nosotros, **Husqvarna AB**, SE-561 82 Huskvarna (Suecia), tel. +46-36-146500, declaramos bajo nuestra exclusiva responsabilidad que el producto:

<b>Descripción</b>	Recortadora de césped a batería
<b>Marca</b>	Husqvarna
<b>Tipo/Modelo</b>	215iL
<b>Identificación</b>	Números de serie a partir del año 2024

Cumple las siguientes directivas y normas de la UE:

<b>Directiva/Normativa</b>	<b>Descripción</b>
2006/42/CE	"relativa a las máquinas"
2014/30/UE	"relativa a la compatibilidad electromagnética"
2000/14/CE	"relativa a las emisiones sonoras en el entorno"
2011/65/UE	"relativa a restricciones de utilización de determinadas sustancias peligrosas en aparatos eléctricos y electrónicos"

Y que se aplican las especificaciones técnicas o los estándares siguientes: EN 60335-1:2012/A15:2021, EN 50636-2-91:2014, EN IEC 63000:2018, EN IEC 55014-1:2021; EN IEC 55014-2:2021.

Organismo notificado: 0197 TÜV Rheinland LGA Products GmbH, Tillystraße 2, 90431 Nürnberg, Germany ha certificado la conformidad con la Directiva del Consejo 2000/14/CE, Procedimiento de evaluación de conformidad: Anexo VI.

Para obtener información respecto a las emisiones sonoras, consulte *Datos técnicos en la página 120*.

Huskvarna, 2024-02-01



Claes Losdal, director de I+D de Husqvarna AB  
Responsable de la documentación técnica



## Sisukord

Sissejuhatus.....	123	Transportimine, hoiepanek ja utiliseerimine.....	134
Ohutus.....	124	Tehnilised andmed.....	135
Kokkupanek.....	130	Lisatarvikud.....	136
Töö.....	130	Vastavusdeklaratsioon.....	137
Hooldamine.....	132	Lisa .....	454
Veaotsing.....	133		

---

## Sissejuhatus

---

### Seadme kirjeldus

Husqvarna 215iL on elektrimootoriga akutoitel murutrimmer.

Me teeme pidevalt tööd, et tõsta sinu ohutust ja tõhusust töötamisel. Lisateabe saamiseks võta ühendust hooldusesindajaga.

### Kasutusotstarve

Toodet kasutatakse mittemetallist trimmerijõhvi, mittemetallist nõõri või muu mittemetallist painduva

### Toote tutvustus

(Joon. 1)

1. Trimmeripea
2. Lõikeosa kaitse
3. Vars
4. Varre reguleerimine (teleskoop)
5. Silmuskäepide
6. Klahvistik
7. Klahvistiku hoiatusindikaator
8. Käivitus- ja seiskamisnupp
9. SavE-nupp
10. Toitelüliti
11. Toitelüliti lukustus
12. Toite sisselülituse ja hoiatuse indikaator
13. Pistik
14. Akulaadija 40-C80
15. Akulaadija QC80
16. Toitekaabel
17. Taimede kaitse
18. Aku hoiatusindikaator
19. Aku olek
20. Akunäidiku nupp
21. Aku vabastamise nupud
22. Aku
23. Kombitööriist
24. Kasutusjuhend

### Sümbolid tootel

(Joon. 2) HOIATUS! Toode võib olla ohtlik ja tekitada kasutajale või kõrvalistele isikutele ohtliku või surmava kehavigastuse. Olge ettevaatlik ja kasutage toodet õigesti.

(Joon. 3) Enne seadme kasutamist lugege kasutusjuhend hoolikalt läbi ja veenduge, et kõik juhised oleksid täiesti arusaadavad.

lõikevahendiga. Ärge kasutage toodet muuks kui vaid muru, rohu ja muude pehmete taimede lõikamiseks.

---

**Märkus:** Riiklikud õigusaktid võivad selle toote kasutamist piirata.

---

(Joon. 4) Kasuta kaitseprille.

(Joon. 5) Ärge jätke vihma kätte.

(Joon. 6) Ümbritsevasse keskkonda leviva mürataseme siit EL-i (sealhulgas New South Walesi õigusaktide) ning Ühendkuningriigi direktiivide ja eeskirjade kohaselt. Mürataseme andmed on toodud masina sildil ja peatükis „Tehnilised andmed“.

(Joon. 7) Hoidke kõrvalised isikud tootest ohutule kaugusele.

(Joon. 8) Enne hooldamist ühendage aku lahti.

(Joon. 9) Toode või toote pakend ei kuulu olmejäätmete hulka. Toimetage see elektri- ja elektroonikajäätmete ringlussevõtukeskusesse.

(Joon. 10) See seade vastab kehtivatele EL-i direktiividele.

(Joon. 11) See toode vastab kehtivatele Ühendkuningriigi eeskirjadele.

(Joon. 12) Alalisvool.

**aaaannxxxx**

Seerianumbri leiate andmesildilt või lasertrükkiselt. **aaaa** on tootmisaasta ja **nn** on tootmisnädal.

## Akul ja/või akulaadijal olevad sümbolid.

- (Joon. 16) Toimetage seade elektri- ja elektroonikajäätmete ringlussevõtukeskusesse. (Kehtib vaid Euroopas)
- (Joon. 13) Törkekindel trafo.
- (Joon. 14) Kasutage ja hoiustage akulaadijat ainult siseruumides.

(Joon. 15) Topeltisolatsioon.

## Toote kahjustused

Me ei vastuta meie tootele tekitatud kahjude eest, kui:

- toodet on valesti parandatud;
- toote parandamisel on kasutatud osi, mis ei ole tootja poolt valmistatud või heaks kiidetud;
- tootel on kasutatud tarvikut, mis ei ole tootja poolt valmistatud või heaks kiidetud;
- toodet ei ole parandatud volitatud hoolduskeskuses või volitatud isiku poolt.

## Ohutus

### Ohutuse määratlused

Mõistetega „hoiatus“, „ettevaatus“ ja „märkus“ juhitakse tähelepanu eriti olulistele kohtadele kasutusjuhendis.



**HOIATUS:** Tähistab kasutusjuhendi juhiste eiramise korral kasutaja või kõrvalseisjate kehavigastuse või surmaga lõppeva õnnetuse ohtu.



**ETTEVAATUST:** Tähistab kasutusjuhendi juhiste eiramise korral seadme, muude esemete või läheduses asuvate objektide kahjustamise ohtu.

**Märkus:** Tähistab antud olukorras vajalikku lisateavet.

### Üldised ohutusalsed märkused elektritööriistade kohta



**HOIATUS:** Lugege kõik ohutusalsed hoiatused ja kõik juhised läbi. Hoiatuste ja juhiste eiramine võib põhjustada elektrilöögi, tulekahju ja/või raskeid vigastusi.

**Märkus:** Hoidke kõik ohutusalsed märkused ja juhised edasiseks kasutamiseks alles. Märkustes kasutatud elektritööriista mõiste tähistab võrgutoitel (juhtmega) elektritööriista või akutoitel (juhtmata) elektritööriista.

### Käivitamiseelne kontroll

- Eemaldage alati aku, et seade juhuslikult ei käivituks. Enne seadme hooldamist tuleb aku alati eemaldada.
- Enne seadme kasutamist ning pärast löögi saamist tuleb kontrollida kulumis- ja kahjustusjärgi ning seadet vajadusel remontida.

### Tööala ohutus

- **Hoidke tööala puhas ja tagage hea valgustus.** Segamini või hämarad alad on õnnetuseallid.
- **Ärge kasutage elektritööriista plahvatusohtlikus keskkonnas, näiteks tuleohtlike vedelike, gaaside või tolmu läheduses.** Elektritööriistad võivad tekitada sädemeid, mis võivad tolmu või gaasid süüdata.
- **Hoidke elektritööriista kasutamise ajal lapsed ja kõrvalseisjad tööalast eemal.** Tähelepanu hajumine võib põhjustada kontrolli kaotamist.

### Elektriohutus

- **Elektritööriista pistikud peavad sobima pistikupessa. Ärge muutke pistikut mis tahes viisil. Ärge kasutage maandusega elektritööriistade puhul adapterpistikuid.** Muutmata pistikud ja sobivad pistikupesad vähendavad elektrilöögi ohtu.

- Väldi kehalist kokkupuudet maandatud pindadega (nt torud, radiaatorid, elektripliidid ja külmikud). Keha maandamise korral on elektrilöögi oht suurem.
- Väältige elektritööriistade kokkupuudet vihma ja märgade tingimustega. Tööriista pääsenud vesi suurendab elektrilöögi saamise ohtu.
- Kasutage juhete õigesti. Ära kunagi kasuta juhete elektritööriista kandmiseks, tõmbamiseks või pistikupesast eemaldamiseks. Kaitske juhete kuumuse, õli, teravate servade ja liikuvate osade eest. Kahjustatud või sõlmes juhte suurendab elektrilöögi ohtu.
- Elektritööriistaga õues töötamisel kasuta välitingimustes kasutamiseks sobivat pikendusjuhet. Välitingimustes kasutamiseks sobiva pikendusjuhtme kasutamine vähendab elektrilöögi ohtu.
- Kui elektritööriista kasutamine niiskes keskkonnas on vältimatu, kasutage rikkevoolukaitsmega (RCD) kaitsitud toidet. RCD kasutamine vähendab elektrilöögi ohtu.

## Inimeste kaitsmine

- Olge elektritööriista kasutamisel tähelepanelik, jälgige oma tegevust ja kasutage tervet mõistust. Ärge kasutage elektritööriista, kui olete väsinud või uimastite, alkoholi või ravimite mõju all. Hetkeline tähelepanematus elektritööriistade kasutamise ajal võib lõppeda tõsiste kehavigastustega.
- Kasutage isikukaitsevahendeid. Kasutage alati kaitseprille. Asjakohastes tingimustes kaitsevahendite (nt tolmumask, mittelibisevad turvajalatsid, kiiver või kõrvaklapid) kasutamine vähendab kehavigastuste ohtu.
- Väältige soovimatut käivitumist. Enne seadme ühendamist toiteallika või akuaga, üles tõstmist või kandmist veenduge, et lüliti on väljalülitatud asendis. Kui kannate elektritööriista nii, et teie sõrm on toitelüliti, või pingestate lülitiga varustatud elektritööriista, võib see lõppeda õnnetusega.
- Eemaldage enne elektritööriista sisselülitamist kõik reguleerimis- ja nutrivõtmed. Elektritööriista pöörleva osa külge jäetud nutri- vm võti võib põhjustada kehavigastusi.
- Ärge küünitage liiga kaugele. Säilitage kogu aeg kindel jalgealune ja tasakaal. See annab ootamatutes olukordades parema kontrolli elektritööriista üle.
- Kandke nõuetekohaseid riideid. Ärge kandke lahtiseid rõivaid ega ehteid. Hoidke juuksed ja rõivad liikuvatest osadest eemal. Lahtised rõivad, ehted või pikad juuksed võivad liikuvate osade vahele kinni jääda.
- Kui seadmetel on ühendus tolmueemaldus- ja kogumisseadmete jaoks, veenduge, et need on ühendatud ja neid kasutatakse õigesti. Tolmukogumise kasutamise abil saab vähendada tolmuga seotud ohte.
- Ärge muutuge tööriistade sagedasest kasutusest hooletuks ja ärge ignoreerige tööriistade ohtu

kasutamise põhimõtteid. Hooletu tegevus võib ka murdosa sekundi jooksul põhjustada tõsiseid kehavigastusi.

- Sõltuvalt tööriista kasutusviisist võib mootortööriista kasutamise ajal tekkiv vibratsioon seadme dokumentatsioonis esitatud koguväärtusest erineda. Kasutajad peaksid välja selgitama isikukaitsemeetmed, mis põhinevad eeldatavatel tegelikel töötingimustel (arvestada tuleb töötusükli kõiki etappe – lisaks täisvõimsusega töötamisele loeb ka see aeg, mil seade on välja lülitatud, ja see aeg, kui seade töötab tühikäigul).

## Elektritööriista kasutamine ja hooldamine

- Ärge suruge elektritööriista jõuga. Kasutage rakenduse jaoks asjakohast elektritööriista. Õige elektritööriist teeb töö ära paremini, ohutumalt ja ettenähtud kiirusel.
- Ärge kasutage elektritööriista, kui lüliti vajutamisel ei lülitu seade sisse ega välja. Mis tahes elektritööriist, mida pole võimalik juhtida, on ohtlik ja tuleb viivitamatult parandada.
- Enne elektritööriista reguleerimist, tarvikute vahetamist või hoialepanekut eemalda pistik toiteallikast ja/või eemalda elektritööriista küljest aku, kui see on eemaldatav. Taolised ennetavad ohutusmeetmed vähendavad elektritööriista tahtmatu käivitamise ohtu.
- Hoidke elektritööriista, mida te parasjagu ei kasuta, lastele kättesaamatus kohas ja ärge lubage elektritööriista kasutada isikutel, kes ei oska seda kasutada või pole neid juhiseid läbi lugenu. Elektritööriistad on koolitamata kasutajate käes ohtlikud.
- Elektritööriista ja tarvikuid tuleb hooldada. Kontrollige liikuvate osade joondust ja kinnitusi, osade purunemist või muid tööriista kasutamist mõjutavaid võivaid tegureid. Kahjustuse korral laske elektritööriist enne kasutamist remontida. Paljude õnnetuste põhjuseks on halvasti hooldatud elektritööriistad.
- Hoidke lõikevahendid teravad ja puhtad. Nõuetekohaselt hooldatud teravate lõikeservadega lõikevahendite kinnikiilumise tõenäosus on väiksem ja neid on hõlpsam juhtida.
- Järgige elektritööriista, tarvikute, tööriistaotsikute jm kasutamisel neid juhiseid ning arvestage töötingimuste ja -ülesandega. Elektritööriista kasutamine muuks kui ettenähtud otstarbeks võib põhjustada ohtliku olukorra.
- Hoidke käepidemed ja haardepinnad kuivad, puhtad ning õli- ja määrdevabad. Libedate käepidemete ja haardepindade korral ei ole ootamatutes olukordades võimalik tööriista ohutult käitseda ja juhtida.

## Akutööriistade kasutamine ja hooldamine

- Kasutage laadimiseks ainult tootja soovitatud laadijat. Ühte tüüpi aku laadimiseks sobiv laadija

võib koos teist tüüpi akuga kasutades tuleohtu põhjustada.

- **Kasutage toodetega vaid spetsiaalselt neile loodud akusid.** Teisi akukogumeid kasutades riskite vigastuste ja tulekahjuga.
- **Kui aku pole hetkel kasutuses, hoidke seda eemal teistest metallesemetest (nt kirjaklambrid, mündid, võtmed, naelad, kruvid vms väiksed metallesemed), mis võiksid akuklemme omavahel ühendada.** Akuklemmide lühistamine võib põhjustada põletushaavu või tulekahju.
- **Väärkasutamise korral võib akut vedelikku lekkida; vältige kokkupuudet. Kokkupuute korral loputage kannatada saanud kohta veega. Kui vedelik satub silma, loputage silma veega ja pöörduge arsti poole.** Akust lekkinud vedelik võib põhjustada ärritust või põletushaavu.
- **Ärge kasutage defektset või muudetud akut või tööriista.** Kahjustatud või muudetud akud võivad käituda ettearvamatu ning põhjustada tule-, plahvatus- või vigastusohtu.
- **Ärge laske akul või tööriistal puutuda kokku tulega või liiga kõrgete temperatuuridega.** Kokkupuude üle 130 °C temperatuuriga võib põhjustada plahvatuse.
- **Järgige kõiki laadimisjuhiseid ja ärge vahetage akut või tööriista temperatuuril, mis jääb väljapoole juhistes kirjeldatud temperatuurivahemikku.** Aku laadimine valesti või väljaspool selleks ettenähtud temperatuurivahemikku võib akut kahjustada ja suurendada tuleohtu.

## Hooldus

- **Laske elektritööriista hooldada vastava väljaõppega remontijal, kes tohib kasutada ainult identseid asendusosi.** See tagab elektritööriista ohutuse säilimise.
- **Ärge kunagi hooldage kahjustatud akusid.** Akusid võivad hooldada üksnes tootja või volitatud teenusepakkujad.

## Tegutsege alati tervet mõistust arvestades.

Kõiki olukordi, mis võivad seadme käitamisel ette tulla, ei ole võimalik kirjeldada. Olge alati ettevaatlik ja kasutage tervet mõistust. Vältige olukordi, millega te ei pruugi toime tulla. Kui te pärast selle juhendi läbilugemist tunnete veel ebakindlust, küsige enne jätkamist nõu asjatundjalt.



**HOIATUS:** Ärge laske lapsi seadme lähedale ega seadet kasutada! Et seadet on lihtne käivitada, võivad lapsed selle käivitada, kui neid piisavalt ei jälgita. See tähendab raskete vigastuste tekke ohtu. Sellepärast tuleb seadmelt eemaldada aku, kui seade jääb valveta.

## Üldised ohutuseeskirjad



**HOIATUS:** Enne toote kasutamist lugege läbi järgmised hoiatused.

- Eemaldage alati aku, et seade juhuslikult ei käivituks.
- Toode on ohtlik, kui kasutate seda valesti või ettevaatamatult. Toode võib tekitada kasutajale või teistele raske või surmava kehavigastuse.
- Ärge kasutage seadet, kui selle algeid tehnilisi näitajaid on muudetud. Ärge muutke seadme ühtki osa ilma tootja heakskiiduta. Kasutage ainult tootja heaks kiidetud osi. Vale hooldamise tagajärjeks võib olla kehavigastus või surm.
- Kontrollige seadet enne kasutamist. Vt jaotist *Käivitamiseelne kontroll lk 124* ja *Enne toote kasutamist lk 130*. Ärge kasutage toodet, mis on kahjustatud või mis ei tööta korralikult. Järgige seadet kontrollides ja hooldades seadme kasutusjuhendi nõudeid.
- Lapsi tuleb jälgida, et nad tootega ei mängiks. Ärge kunagi lubage seadet ega akut kasutada või hooldada lastel ega teistel isikutel, kes pole seadme ja/või aku kasutamise koolitust saanud. Kohalike õigusaktidega võidakse piirata kasutaja vanust.
- Hoidke seadet lukustatud kohas, kus sellele ei pääse juurde lapsed ega volitamata isikud.
- Hoidke seadet lastele kättesaamatus kohas.
- Seadme alget konstruktsiooni ei tohi muuta ilma tootja loata. Kasutage alati originaalvarvikuid. Lubamatud muudatused ja varuosad võivad põhjustada kasutaja ja teiste isikute raskeid või isegi eluohtlikke kehavigastusi.

**Märkus:** Kasutamist võivad piirata riiklikud või kohalikud määrad. Järgige kõiki määrusi.

## Ohutusjuhised kasutamisel



**HOIATUS:** Enne toote kasutamist loe läbi järgnevad hoiatused.

- **Ärge kasutage masinat halva ilmaga (eelkõige äikesetorni ajal).** See vähendab pikselöögi ohtu.
- **Kontrollige põhjalikult, kas masina kasutuskoahas on elusloodust.** Masin võib töötades elusloodust kahjustada.
- **Kontrollige hoolikalt masina kasutuskohta ning eemaldage sealt kõik kivid, oksad, traadid, kondid ja muud võõrkehad.** Õhku paiskuvad esemed võivad põhjustada kehavigastusi.
- **Enne masina kasutamist kontrollige alati visuaalselt, et löiketera ja selle koost ei oleks kahjustatud.** Kahjustatud osad suurendavad vigastuste ohtu.

- **Hoidke kaitsmed paigaldatuna. Kaitsmed peavad olema töökorras ja õigesti paigaldatud.** Kaitse, mis on lahti tulnud, kahjustunud või ei tööta korralikult, võib tekitada kehavigastusi.
- **Hoidke kõik jahutusõhu sisselaskeavad prahist puhtad.** Blokeeritud õhu sisselaskeavad ja praht võivad põhjustada ülekuumenemist või tuleohtu.
- **Kandke alati kaitseprille ja kuulmiskaitset.** Sobivad kaitsevahendid vähendavad kehavigastusi.
- **Kandke masina kasutamisel alati libisemiskindlaid kaitsejalatseid. Ärge kasutage masinat paljajalu või lahtiste sandaalidega.** See vähendab liikuva lõiketeraga kokkupuutel jalalabade vigastuste ohtu.
- **Kandke alati rõivaid, näiteks pükse, mis katavad masina kasutamise ajal kasutaja jalad.** Kokkupuude liikuva lõiketera või jõhviga võib tekitada vigastusi.
- **Hoidke kõrvalised isikud masinaga töötamise ajal eemale.** Paiskuv praht võib tekitada raskeid kehavigastusi.
- **Ärge kasutage masinat vöökohast kõrgemal.** See aitab vältida tahtmatut kokkupuudet lõiketeraga ja tagab teile ootamatutes olukordades masina üle parema kontrolli.
- **Kasutage masinat märke rohus ettevaatlikult. Kõndige ja ärge kunagi jookske.** See vähendab libisemis- ja kukkumisohtu, mis võib lõppeda kehavigastusega.
- **Ärge kasutage masinat liiga järskuldel kallakutel.** See vähendab kontrolli kaotamise ning libisemis- ja kukkumisohtu, mis võib lõppeda kehavigastusega.
- **Kallakul töötades tagage alati kindel asend, töötage masinaga risti üle kallaku, mitte otse üles või alla, ning olge suuna muutmisel äärmiselt ettevaatlik.** See vähendab kontrolli kaotamise ning libisemis- ja kukkumisohtu, mis võib lõppeda kehavigastusega.
- **Hoidke kõik toitejuhtmed ja -kaablid lõikealast eemale.** Hekis või pöösas olev toitejuhe või -kaabel võib jääda varjatuks ning jõhv või lõiketera võib seda kogemata lõigata või kahjustada.
- **Hoidke kõik kehaosad trimmeri liikuvast lõiketerast või jõhvist eemale. Ärge eemaldage materjali masinast enne, kui see on toiteallikast lahti ühendatud.** Trimmeri liikuv lõiketera või jõhv võib tekitada raskeid kehavigastusi.
- **Kandke masinat nii, et masin on välja lülitatud ja kehas eemal.** Masina õige käsitsemine vähendab trimmeri liikuva lõiketera või jõhviga juhusliku kokkupuute tõenäosust.
- **Kasutage asenduseks ainult tootja ettenähtud lõikepäid ja trimmeri lõiketeri või jõhve. Ärge asendage trimmeri lõiketera või jõhvi metalltraatide ega -teradega.** Valed varuosad võivad põhjustada kontrolli kaotamise, purunemise ja vigastuse.

## Isikukaitsevahendid



**HOIATUS:** Enne toote kasutamist loe läbi järgnevad hoiatused.

- Seadmega töötamisel tuleb kasutada ettenähtud isikukaitsevarustust. Isikukaitsevarustus ei välista täielikult kehavigastuste ohtu, kuid vähendab õnnetusjuhtumi korral kehavigastuse raskusastet. Õige varustuse valimiseks pöörduge edasimüüja poole.

- Kanna heakskiidetud kõrvaklappe.

(Joon. 17)

- Kanna heakskiidetud kaitseprille. Näokaitsme kasutamisel tuleb lisaks kasutada heakskiidetud kaitseprille. Heakskiidetud kaitseprillide all mõeldakse selliseid prille, mis vastavad standardile ANSI Z87.1 USA-s või EN 166 Euroopa Liidu riikides.

(Joon. 18)

- Vajaduse korral kandke kindaid, näiteks lõikeosa kinnitades, kontrollides või puhastades.

(Joon. 19)

- Kandke terasest varbakatete ja libisemist takistavate taldadega kaitseaspaid.

(Joon. 20)

- Kandke vastupidavast materjalist riideid. Kandke alati pikki raskeid pükse ja pikki varrukaid. Hoiduge liiga avaratest rõivastest, mis võivad okstesse takeruda. Ärge kandke ehteid, lühikesi pükse ega sandaale. Ärge kasutage seadet paljajalu. Kinnitage juuksed ohutult õlgadest kõrgemale.

- Hoi-a esmaabikomplekti kättesaadavas kohas.

(Joon. 21)

## Toote ohutusseadised



**HOIATUS:** Enne toote kasutamist lugege läbi järgmised hoiatused.

Selles alalõigus kirjeldatakse masina turvavarustust, selle otstarvet ning kuidas läbi viia kontrollid ja hooldust, tagamaks masina nõuetekohane töö. Vaadake pealkirja all olevaid juhiseid, *Sissejuhatus lk 123* et teada saada, kus need osad teie tootel asuvad.

Kui seadet ei hooldata õigesti ja korrapäraselt ning seadet ei paranda asjatundja, võib seadme tööiga lüheneda ja tekkida õnnetuste oht. Kui vajate täiendavat infot, pöörduge lähimasse teenindusse.



**HOIATUS:** Ärge kunagi kasutage toodet, mille turvavarustus on kahjustatud. Ohutusvarustust tuleb käesolevas lõigus toodud eeskirjade kohaselt hooldada ja kontrollida. Kui seade ei vasta ohutusnõuetele, laske see parandada hooldustöökohas.



**ETTEVAATUST:** Seadme hooldus ja parandamine nõuab eraldi väljaõpet. Eriti oluline on see seadme ohutusvarustuse puhul. Kui seade ei vasta allpool toodud nõuetele, viige see hoolduspunkti. Meie toodetele on tagatud professionaalne hooldus ja parandus. Kui seadme edasimüüja ei tegele hooldusega, paluge tal juhatada teid lähimasse hoolduspunkti.

#### Klahvistiku kontrollimine

- Vajutage käivitus- ja seiskamisnuppu (A) ja hoidke seda allavajutatuna. (Joon. 22)
  - Seade on sisse lülitatud siis, kui LED-tuli (B) süttib.
  - Seade on välja lülitatud siis, kui LED-tuli (B) kustub.
- Hoiatusindikaatori (C) süttimise või vilkumise korral vt *Klahvistik lk 133*.

#### Toitelüliti lukustuse kontrollimine

Toitelüliti lukustusfunktsioon väldib seadme juhuslikku käivitamist. Kui lükkate toitelüliti luku (A) alla, vabaneb toitelüliti (B). Käepidemest lahti laskmise korral naasevad nii toitelüliti kui ka toitelüliti lukustus algasendisse. (Joon. 23)

- Jälgige, et toitelüliti oleks lüliti lukustuse algasendis lukustatud. (Joon. 24)
- Vajutage toitelüliti ja veenduge, et vabastamise korral liiguks see tagasi algasendisse. (Joon. 25)
- Veenduge, et toitelüliti ja toitelüliti lukustus liiguksid takistamatult ning tagastusvedru töötaks õigesti. (Joon. 26)
- Käivitage seade. Vt jaotist *Toote käivitamine lk 131*.
- Rakendage täispöörded.
- Vabastage toitelüliti ja veenduge, et lõikeosa peatuks täielikult.

#### Lõikeosa kaitsme kontrollimine



**HOIATUS:** Ärge kasutage lõikeosa ilma heakskiidetud ja õigesti kinnitatud lõikeosa kaitsmeta. Kasutage alati lõikeosa kaitset, mis on ette nähtud just selle lõikeosa jaoks, mida te kasutate, vt *Tehnilised andmed lk 135*. Vale või vigane lõikeosa kaitse võib põhjustada raskeid kehavigastusi.

Lõikeosa kaitse takistab esemete paiskumist seadmekasutaja suunas. Samuti aitab see ära hoida kehavigastusi, mida võib tekitada lõikeosa puudutamine.

- Seisake mootor.
- Otsige kahjustusi, näiteks pragusid.

- Kui lõikeosa kaitse on kahjustunud, vahetage see välja.

#### Lõikeosa

Valige õige lõikeosa ja hooldage lõikeosa selleks, et:

- tagada seadme maksimaalne jõudlus;
- pikendada lõikeosa tööiga.



**HOIATUS:** Lõikeosa tohib kasutada ainult koos selleks ette nähtud kaitsekatttega! Juhiseid vt jaotisest *Tehnilised andmed lk 135*. Lõikeosa kasutusjuhendist leiate teavet trimmerijõhvi õige paigaldamise ja õige läbimõõduga trimmerijõhvi valimise kohta.



**HOIATUS:** Kahjustatud lõikeosa võib suurendada õnnetuste ohtu.



**HOIATUS:** Enne lõikeosa kallal töötamist lülitage alati välja mootor. Pärast gaasi vabastamist pöörleb see edasi. Veenduge, et lõikeosa oleks täielikult seiskunud ja ühendage süüteküünla kate enne töö alustamist süüteküünla küljest lahti.

#### Trimmeripea



**HOIATUS:** Kahjuliku vibratsiooni ärahoidmiseks veenduge alati, et trimmijõhv oleks keritud trumliile ühtlaselt ja tugevalt.

(Joon. 27)

- Kasutage ainult soovitatud trimmipäid ja -jõhve.
- Kasutage ainult soovitatud lõikeosa.
- Väiksemad seadmed nõuavad väiksemaid trimmipäid ja vastupidi.
- Tähtis on jõhvi pikkus. Sama läbimõõduga pikem jõhv nõuab võimsamat mootorit kui lühike jõhv.
- Kontrollige, et trimmerikaitse peal asetsev nuga ei oleks kahjustatud ega kadunud. Nuga lõikab trimmijõhvi, et selle pikkus oleks õige.
- Trimmijõhvi tööea pikendamiseks leotage seda enne kasutamist paar päeva vees.

#### Aku ohutus



**HOIATUS:** Enne toote kasutamist lugege läbi järgmised hoiatused.

- Kasutage ainult BLi seeria ja 40-B seeria akusid. Üksikasjade saamiseks vt jaotist *Tehnilised andmed lk 135*. Aku on kodeeritud.



- Kasutage Husqvarna toodete vooluallikana üksnes taaslaetavaid BLi seeria ja 40-B seeria akusid. Kehavigastuse vältimiseks ärge kasutage akut muude seadmete toiteallikana.
- Elektrilöögioht. Ärge ühendage akuklemme võtmete, müntide, kruvide või muude metallesemetega. See võib tekitada akus lühise.
- Ärge kasutage mittelaetavaid akusid.
- Ärge asetage esemeid aku õhuavade sisse ja ette.
- Vältige aku kokkupuudet otsese päikesevalguse, kuumuse ja lahtise leegiga. Aku võib põhjustada põletusi ja/või keemilisi põletusi.
- Vältige aku kokkupuudet vihma ja märja keskkonnaga.
- Vältige aku kokkupuudet mikrolainete ja kõrgsurvega.
- Ärge demonteerige ega lõhkuge akut.
- Aku lekke korral vältige vedeliku kokkupuudet keha ja silmadega. Kui vedelik satub kehale, puhastage kokkupuutunud ala rohke veega ja seebiga ning seejärel pöörduge arsti poole. Kui vedelik satub silma, ärge hõõruge silmi, vaid loputage neid veega vähemalt 15 minutit ja pöörduge arsti poole.
- Kasutage akut keskkonnas, mille temperatuur jääb vahemikku -10...40 °C.
- Ärge puhastage akut või akulaadijat veega. Vt jaotist *Seadme, aku ja akulaadija puhastamine lk 133*.
- Ärge kasutage defektset või kahjustatud akut.
- Hoiustage akusid eemal metallesemetest (nt naelad, kruvid, ehted).
- Hoidke aku eemal lastest.
- Vältige juhtmete ja pikendusjuhtmete kokkupuudet vee, õli ja teravate servadega. Jälgige, et juhe ei jääks uste, väravate jms vahele.
- Ärge kasutage akulaadijat tuleohtlike või korrosiooni tekitavate materjalide läheduses. Veenduge, et akulaadija poleks kinni kaetud. Suitsu või tule tekke korral eemaldage pistik akulaadijast.
- Laadige akut ainult hea õhuvahetusega siseruumis ja päikesevalguse eest kaitstuna. Ärge laadige akut õues. Ärge laadige akut märjas keskkonnas.
- Kasutage akulaadijat keskkonnas, mille temperatuur jääb vahemikku 5...40 °C. Kasutage laadijat hästi ventileeritavas, kuivas ja tolmuvabas keskkonnas.
- Ärge asetage esemeid akulaadija jahutusavade sisse ja ette.
- Ärge kunagi ühendage akulaadija klemme metallesemete külge, vastasel korral võib akulaadija lühistuda.
- Kasutage heakskiidetud ja kahjustamata pistikupesasid. Veenduge, et akulaadija juhe poleks kahjustatud. Pikendusjuhtme kasutamisel veenduge, et pikendusjuhe poleks kahjustatud.
- Ärge laadige akulaadijas mittelaetavaid akusid.

## Ohutusjuhised hooldamisel



**HOIATUS:** Enne seadme hooldustööde tegemist lugege läbi järgnevad hoiatused.

## Akulaadija ohutus



**HOIATUS:** Enne toote kasutamist lugege läbi järgmised hoiatused.

- Ohutuseeskirjade eiramine võib kaasa tuua elektrilöögi või lühise.
- Kasutage ainult seadme tarnekomplekti kuuluvat akulaadijat. BLi Seeria ja 40-B seeria asendusakude laadimiseks kasutage ainult QC80 seeria ja 40-C80 laadijaid.
- Ärge püüdke akulaadijat lahti monteerida.
- Ärge kunagi kasutage defektset või kahjustunud akulaadijat.
- Ärge tõstke akulaadijat toitejuhtmetest hoides. Akulaadija võrgupistikupesast lahutamiseks tõmmake pistikut. Ärge tõmmake toitejuhet.
- Eemaldage aku enne hooldustööde või muude kontrolltoimingute või seadme kokkupanemise alustamist.
- Seadme kasutaja tohib teha üksnes käesolevas kasutusjuhendis kirjeldatud hooldustöid. Mahukamate hooldustööde tegemiseks pöörduge hooldusesindusse.
- Ärge puhastage akut või akulaadijat veega. Tugevatoimeline pesuvahend võib kahjustada plastdetalle.
- Kui hooldustöid ei tehta, siis toote kasutusiga lüheneb ja õnnetuste oht kasvab.
- Kõigi hooldus- ja parandustööde tegemiseks (eriti seadme ohutusseadiste juures) on vajalik eriväljaõpe. Kui pärast hooldustööde tegemist ei läbi seade kõiki käesolevas kasutusjuhendis kirjeldatud kontrolltoiminguid, siis pöörduge hooldusesinduse poole. Garanteerime, et hooldusesinduses tehakse teie tootele professionaalsel tasemel remondi- ja hooldustööd.
- Kasutage ainult originaalvaruosi.

## Kokkupanek

### Sissejuhatus



**HOIATUS:** Enne toote kokkupanekut lugege ohutuspeatükki ja tehke selles olev teave endale arusaadavaks.

### Trimmerikaitse kinnitamine

1. Seadke trimmerikaitse vastu mootori korpust. (Joon. 28).
2. Pange polt läbi mootori korpuse ja trimmerikaitse. (Joon. 29)
3. Pingutage polti.

### Trimmeripea paigaldamine

1. Pööra väljuvat võlli, kuni veoketta ava satub kohakuti ülekande avaga.
2. Pange lukustustihvt auku, et võll lukustuks.
3. Keerake trimmeripead vastupäeva. (Joon. 30)

### Silmuskäepideme paigaldamine

1. Paigaldage kruvi silmuskäepidemele. (Joon. 31)
2. Paigaldage silmuskäepide võllil olevasse kinnituskohta.

3. Pingutage kruvisid.
4. Seadke silmuskäepide õigesse tööasendisse. Vt jaotist *Silmuskäepideme ja teleskoopvõlli reguleerimine. lk 131.*

### Taimekaitse paigaldamine

1. Paigaldage taimekaitse mootori korpuses olevatesse aukudesse. (Joon. 32)
2. Veenduge, et taime kaitse saab vabalt ette ja taha liikuda. (Joon. 33)

### Akulaadija 40-C80 seinale paigaldamine



**ETTEVAATUST:** Ärge kasutage akulaadija seinale paigaldamiseks elektrilist kruvikeerajat. Elektriline kruvikeeraja võib akulaadijat kahjustada.

1. Paigaldage akulaadija kahe kruviga (B) seinale. Vajadusel kasutage seinakorke (A). (Joon. 34)
2. Paigaldage kaks kruviauguga korki (C).
3. Ühendage akulaadija toitejuhe vooluvõrku.

## Töö

### Sissejuhatus



**HOIATUS:** Enne toote kasutamist lugege läbi ohutuspeatükk ja veenduge, et oleksite kõigest aru saanud.

### Enne toote kasutamist

- Vaadake tööpiirkond üle ja veenduge, et pinnareljeef on teile tuttav. Kontrollige maapinna kallet ja seda, kas leidub takistusi, nt kive, oksid ja kraave.
- Vaadake seade üldiselt üle.
- Teostage selles juhendis toodud ohutuskontrollid ja hooldus.
- Kontrollige, ega mootor pole määrdunud või mõranenud. Pühkige harja abil mootorilt ära rohulibled ja lehed. Vajadusel kandke kindaid.
- Kontrollige, et trimmipeal ega löikeosakaitsmel ei oleks kahjustusi ega mõrasid. Kui trimmeripea või löikeosa kaitse on saanud löögi või kui nendes on mõrasid, vahetage need välja.
- Veenduge, et kõik mutrid ja kruvid oleksid pingutatud.

- Enne toote käivitamist veenduge, et kõik katted, kaitse, käepidemed ja löikeosad oleksid õigesti kinnitatud ega oleks kahjustatud.

### Aku



**HOIATUS:** Enne aku kasutamist lugege läbi ohutuspeatükk ja veenduge, et kogu teave on arusaadav. Lugege läbi aku ja akulaadija kasutusjuhend ning veenduge, et kogu teave on arusaadav.

Hoidke akut ja akulaadijat õigel õhutemperatuuril.

	Õhutemperatuur
Aku kasutamine	5 °C...40 °C
Aku laadimine	5 °C...40 °C

### Aku olek

Ekraanil kuvatakse teave aku laetustaseme ja mistahes akuga seotud probleemide kohta.

(Joon. 35)

LED-märgutuli	Aku olek (laetustase)	
	BLi10, BLi20	40-B70, 40-B140
Põleb 4 LED-tuld	–	Aku on 76–100% laetud.
Põleb 3 LED-tuld	Aku on 76–100% laetud.	Aku on 51–75% laetud.
Põleb 2 LED-tuld	Aku on 51–75% laetud.	Aku on 26–50% laetud.
Põleb 1 LED-märgutuli	Aku on 26–50% laetud.	Aku on 6–25% laetud.
1 LED-märgutuli vilgub	Aku on 0–25% laetud.	Aku on 0–5% laetud.

## Aku laadimine

Enne aku esimest kasutuskorda laadige aku täis. Uue aku laetustase on ainult 30%.



**ETTEVAATUST:** Ühendage akulaadija tüübisildil näidatud pingega sagedusega pistikupesasse.

Akut ei laeta, kui aku temperatuur on üle 50 °C.

1. Ühendage toitepistik akulaadijaga.
2. Ühendage akulaadija maandatud pistikupesasse. Laadimise LED-tuli vilgub ühe korra. (Joon. 36)
3. Ühendage aku akulaadijaga. Süttib laadimist tähistav LED-tuli. Ärge laadige akut kauem kui 24 tundi. (Joon. 37)
4. Vajutage akunäidiku nuppu. Kui kõik LED-märgutuled süttivad, on aku täis laetud.
5. Akulaadija eemaldamiseks vooluvõrgust tõmmake toitepistik pistikupesast välja. Ärge tõmmake toitejuhet.
6. Eemaldage aku laadijast.

## Aku ühendamine seadmega.



**HOIATUS:** Kasutage tootes ainult Husqvarna originaalakut.

1. Lae aku täielikult täis.
2. Lükake aku seadme akupesasse. Aku on kohale lukustunud, kui kuulete klõpsatust. (Joon. 38)



**ETTEVAATUST:** Kui aku ei liigu sujuvalt akupesasse, siis on aku asend vale. See võib toodet kahjustada.

## Toote käivitamine

1. Lülitage käivitus- ja seiskamisnuppu seni, kuni süttib roheline LED-tuli. (Joon. 39)
2. Lükake toitelülitit ja toitelüliti lukku. Lõikeseade hakkab pöörlema.

## Silmuskäepideme ja teleskoopvõlli reguleerimine.

1. Vabastage lukustuskäepide ja seadke silmuskäepide õigesse tööasendisse. (Joon. 40)
2. Sulgege lukustuskäepide.
3. Vabastage võlli hoob. (Joon. 41)
4. Seadistage võllil vajalik pikkus. Veenduge, et näeksite võllil olevat kolmnurka. (Joon. 42)
5. Sulgege hoob ja keerake kruvid kinni.

**Märkus:** Ärge kinnitage silmuskäepidet võllil olevatele hoiatussiltidele.

## SavE funktsiooni kasutamine

Seade on varustatud energiasäästufunktsiooniga SavE.

**Märkus:** Funktsioon SavE ei vähenda seadme lõikamisvõimekust.

1. Vajutage klahvistikul SavE nuppu.
2. Veenduge, et roheline LED-tuli süttiks.
3. Funktsiooni peatamiseks vajutage uuesti SavE nuppu. Roheline LED-tuli kustub. (Joon. 43)

## Automaatse seiskamise funktsioon

Seadmel on seiskamisfunktsioon, mis peatab seadme, kui seda ei kasutata. Käivitamise/seiskamise märgutule roheline LED-tuli kustub ja seade seiskub 180 sekundi pärast.

## Seadme kasutamine

### Muru pügamine

1. Hoidke trimmipead nurga all maapinna kohal. Ärge vajutage trimmerijõhvi rohu sisse. (Joon. 44)
2. Lühendage trimmerijõhvi pikkust 10–12 cm (4–4,75 tolli).
3. Taimede kahjustamise ohu vähendamiseks vähendage mootori kiirust.

- Esemete või rajatiste lähedal asuva muru pügamisel rakendage 80% gaasi. (Joon. 45)

### Rohu eemaldamine

- Hoidke trimmeripead maapinna kohal.
- Kallutage trimmeripead.
- Lõigake trimmeri jõhvi otsaga rohi tööalal asuvate objektide ümber.



**ETTEVAATUST:** Lõigake rohi. Kui trimmeri jõhv tabab objekte, siis kiirendab see trimmeri kulumist.

### Rohu lõikamine

- Rohu lõikamisel jälgige, et trimmeri jõhv asuks maapinnaga paralleelselt. (Joon. 46)
- Ärge vajutage trimmeripead vastu maapinda. See võib toodet kahjustada.
- Liigutage muru lõigates toodet küljelt-küljele. Rakendage täisgaasi. (Joon. 47)

### Muru eemalepühkimine

Pöörleva trimmerijõhvi ümber tekkivat õhuvoolu saab kasutada lõigatud muru alalt eemaldamiseks.

- Hoidke trimmeripead ja jõhvi maapinna kohal maapinnaga paralleelselt.
- Rakendage täisgaasi.
- Liigutage trimmipead küljelt küljele ja pühkige muru.



**HOIATUS:** Uue trimmerijõhvi paigaldamisel puhastage trimmeripea katet, et vältida tasakaaluhäireid ja käepidemete vibreerimist. Kontrollige ja vajaduse korral puhastage ka trimmipea muid osi.

### Seadme seiskamine

- Vabastage toitelüliti ja toitelüliti lukk.
- Vajutage pikalt käivitus- ja seiskamisnuppu, kuni roheline LED-tuli kustub.
- Vajutage aku vabastusnuppe ja eemaldage aku seadmest. (Joon. 48)

### Trimmerijõhvi vahetamine

Vt selle kasutusjuhendi viimast lehekülge.

## Hooldamine

### Sissejuhatus



**HOIATUS:** Enne seadme hooldamist lugege läbi ohutuspeatükk ja veenduge, et see oleks teile täielikult arusaadav.

Alljärgnevalt on esitatud loetelu seadme hooldustöödest, mida peab tegema seadme kasutaja. Lisateavet leiate jaotisest *Hooldamine lk 132*.

### Hoolduskeem



**HOIATUS:** Enne hooldustööde alustamist eemaldage aku.

Hooldamine	Üks kord päevas	Üks kord nädalas	Üks kord kuus
Puhastage toote välised osad kuiva lapiga. Ärge kasutage vett.	X		
Kontrollige, kas käivitus- ja seiskamisnupp töötab korralikult ja on kahjustamata.	X		
Kontrollige, et toitelüliti ja toitelüliti lukustus töötavad ohutult ja nõuetekohaselt.	X		
Kontrollige, kas kõik juhtseadised töötavad korralikult ja on kahjustamata.	X		
Hoidke käepidemed kuivad, puhtad ning õli- ja määrdevabad.	X		
Veenduge, et lõikeosa oleks kahjustamata. Kui lõikeosa on kahjustunud, vahetage see välja.	X		
Veenduge, et lõikeosa kaitse oleks kahjustamata. Kui lõikeosa kaitse on kahjustunud, vahetage see välja.	X		

Hooldamine	Üks kord päevas	Üks kord nädalas	Üks kord kuus
Veenduge, et mutrid ja kruvid oleksid pingutatud.	X		
Veenduge, et aku vabastusnupud töötaksid ning lukustaksid aku kindlalt seadme külge.	X		
Kontrollige, kas akulaadija on kahjustamata ja töötab korralikult.	X		
Veenduge, et aku ei oleks kahjustatud.	X		
Veenduge, et aku oleks laetud.	X		
Veenduge, et akulaadija ei oleks kahjustatud.	X		
Kontrollige kõiki juhtmeid, liitmikke ja ühendusi. Veenduge, et need poleks kahjustatud ega määratud.		X	
Kontrollige aku ja seadme vahelisi ühendusi. Samuti kontrollige aku ja akulaadija vahelisi ühendusi.			X

## Aku ja akulaadija kontrollimine

1. Kontrollige, kas akul leidub kahjustusi, nt pragusid.
2. Kontrollige, kas akulaadijal leidub kahjustusi, nt pragusid.
3. Veenduge, et akulaadija ühendusjuhe poleks kahjustatud ja et sellel poleks pragusid.

## Seadme, aku ja akulaadija puhastamine

1. Pärast kasutamist puhastage seade kuiva riidelapiga.
2. Puhastage aku ja akulaadija kuiva riidelapiga. Hoidke akujuhikuid puhtana.

3. Enne aku asetamist akulaadijasse või tootesse veenduge, et aku ja akulaadija klemmid oleksid puhtad.

## Trimmeripea kontrollimine ja vahetamine

1. Veenduge, et trimmeripea ei ole vigastatud ega pragunenud.
2. Tõmmake välja jõhvi pool.
3. Eemaldage trimmeripea. (Joon. 49)
4. Vahetage trimmeripea välja.
5. Paigaldage trimmeripea. Vt jaotist *Trimmeripea paigaldamine lk 130*.

## Veaotsing

### Klahvistik

LED-ekraan	Võimalikud tõrked	Võimalikud lahendused
Tõrke LED-tuli vilgub	Ülekoormus	Lõikeosad ei saa vabalt liikuda. Vabastage lõikeosa.
	Temperatuuri kõrvalekaldumine	Laske seadmel maha jahtuda.
Toode ei käivitu.	Lükake toitelüliti ja vajutage samal ajal käivitusnuppu.	Laske toitelüliti lahti ja seisake seade.
Tõrke LED-tuli süttib koos punase tulleaga.	Seade vajab hooldust	Pöörduge hooldusesindusse.

### Aku

LED-näidik	Võimalikud tõrked	Võimalik lahendus
Roheline LED-tuli vilgub.	Aku pinge madal.	Laadige aku.

LED-näidik	Võimalikud tõrked	Võimalik lahendus
Tõrke LED-tuli vilgub	Temperatuuri kõrvalekalle.	Kasutage akut keskkonnas, mille temperatuur jääb vahemikku $-10...40^{\circ}\text{C}$ ( $14...104^{\circ}\text{F}$ ).
	Liiga suur pinge.	Kontrollige, kas toiteallika võrgupinge vastab seadme andmesildil märgitule. Eemaldage aku laadijast.
Tõrke LED-tuli põleb.	Elementide erinevus on liiga suur (1 V).	Pöörduge hooldusesindusse.

## Akulaadija

Probleem	Võimalikud tõrked	Võimalik lahendus
Laadimist tähistav LED-tuli on punane.	Akulaadija püsiv tõrge.	Pöörduge edasimüüja poole.
Laadimist tähistav LED-tuli vilgub röheliselt.	Vale temperatuur, aku on laadimiseks liiga külm või liiga kuum.	Laske akul jahtuda või soojeneda. Kui aku on saavutanud õige temperatuuri, saab seda uuesti kasutada või laadida. Kasutage akulaadijat keskkonnas, mille temperatuur jääb vahemikku $5...40^{\circ}\text{C}$ .
Laadimist tähistav LED-tuli vilgub punaselt.	Aku rike.	Pöörduge edasimüüja poole.

## Transportimine, hoialempanek ja utiliseerimine

### Transportimine ja hoiustamine

- Tarnitud liitiumioonakud vastavad ohtlike ainete eeskirjade nõuetele.
- Täitke kaubanduslikule transpordile kehtestatud pakendamise ja märgistamise erinõudeid (sh kolmandate osapoolte või ekspediitorite teenuseid kasutades).
- Enne seadme lähetamist konsulteerige isikuga, kes on läbinud ohtlike ainete käitlemise alase erikoolituse. Järgige kõiki kehtivaid riiklikke eeskirju.
- Enne aku pakendisse asetamist katke lahtised kontaktid isoleerteibiga. Asetage aku pakendisse tihkelt, et see ei saaks liikuma hakata.
- Hoiustamise ja transpordi ajaks tuleb aku eemaldada.
- Asetage aku ja akulaadija kohta, mis on kuiv ja mida ei ähvarda niiskus ega jäätumine.
- Ärge hoidke akut kohas, kus võib tekkida staatiline elekter. Ärge hoidke akut metallkastis.
- Hoidke akut ruumis, mille temperatuur püsib vahemikus  $5...25^{\circ}\text{C}$  ( $41...77^{\circ}\text{F}$ ) ja kus aku on varjatud otsese päikesevalguse eest.

- Hoidke akulaadijat ruumis, mille temperatuur püsib vahemikus  $5...45^{\circ}\text{C}$  ( $41...113^{\circ}\text{F}$ ) ja kus akulaadija on varjatud otsese päikesevalguse eest.
- Kasutage akulaadijat üksnes juhul, kui ümbritsev temperatuur on vahemikus  $5...40^{\circ}\text{C}$ .
- Enne aku pikemaajalist hoiustamist laadige see 30–50% ulatuses täis.
- Hoidke akulaadijat ruumis, mis on suletud ja kuiv.
- Ladustamisel hoidke aku akulaadijast eemal. Ärge lubage lastel ja teistel volitamata isikutel seadmeid puutuda. Hoidke seadmeid lukustatavas ruumis.
- Enne seadme pikemaajalist hoiustamist puhastage seade ja tehke sellele täishooldus.
- Transportimise ja hoiustamise ajal kasutage tootel olevat transpordikaitset, et vältida inimeste kehavigastusi ja toote kahjustusi.
- Kinnitage seade transpordi ajaks turvaliselt.

### Aku, akulaadija ja seadme kasutuselt kõrvaldamine

Tootel või selle pakendil olevad sümbolid näitavad, et toodet ei tohi visata olmeprügi hulka.

Toimetage see elektri- ja elektroonikajäätmete ringlussevõtukeskusesse. Nii aitate vältida keskkonna ja inimeste kahjustamist.

Kui soovite lisateavet oma toote ringlussevõtu kohta, võtke ühendust kohalike ametiasutuste, olmejäätmete käitleja või edasimüüjaga.

## Tehnilised andmed

### Tehnilised andmed

	<b>215iL</b>
<b>Mootor</b>	
Mootori tüüp	BLDC
Väljuva võlli pöörlemiskiirus, p/m	6800
Lõikelaius, mm	310
<b>Kaal</b>	
Kaal ilma akuta (kg)	2,9
<b>Müratasemed</b> <sup>22</sup>	
Helivõimsuse tase, mõõdetud dB(A)	90,5
Müravõimsustase, garanteeritud L <sub>WA</sub> dB(A)	92
<b>Müratase</b> <sup>23</sup>	
Ekvivalentne helirõhutase kasutaja kõrva juures, mõõdetud EN ISO 50636-2-91 järgi, dB(A)	74,9
<b>Vibratsioonitase</b> <sup>24</sup>	
Käepidemete vibratsioonitasemed, mõõdetud EN50636-2-91 järgi, m/s <sup>2</sup>	4,5/2,7
Eesmise/tagumise originaaltrimmeripeaga.	

### Seadmes kasutamiseks heakskiidetud akud

Aku	BL110		BL120		40-B70	40-B140
Tüüp	Liitiumioonaku		Liitiumioonaku		Liitiumioonaku	Liitiumioonaku
Aku mahtvus, Ah	Vt aku andmete kleebist		Vt aku andmete kleebist		Vt aku andmete kleebist	Vt aku andmete kleebist
Nimipinge, V	36	36,5	36	36,5	36	36

<sup>22</sup> Müraemissioon ümbritsevas keskkonda, mõõdetud helivõimsuse tasemenähtena (L<sub>WA</sub>) vastavalt EÜ direktiivile 2000/14/EÜ Erinevus garanteeritud ja mõõdetud helivõimsustaseme vahel seisneb selles, et direktiivi 2000/14/EÜ järgi hõlmab garanteeritud helivõimsustase ka mõõtmistulemuste dispersiooni ja kõrvalekaldeid sama mudeli erinevate toodete vahel.

<sup>23</sup> Esitatud andmetel on seadme helirõhutase ekvivalendil tüüpiline statistiline dispersioon (standardhälve) 2,5 dB(A).

<sup>24</sup> Vibratsioonitase kohta toodud andmete tüüpiline statistiline dispersioon (standardhälve) on 1,5 m/s<sup>2</sup>.

Aku	BLi10		BLi20		40-B70	40-B140
Kaal, kg	0,7	0,7	1,2	1,2	0,8	1,25

### Seadme jaoks heaks kiidetud akulaadid

Akulaadja	QC80	40-C80
Toitevõrgu pingeline, V	100–240	100–240
Sagedus, Hz	50–60	50–60
Võimsus, W	100	72
Väljundpinge, alalisvool, V / amprit, A	36/2	43/1,6

---

## Lisatarvikud

---

### Heakskiidetud lisavarustus

Heakskiidetud lisavarustus	Tüüp	Lõikeosa kaitsekate, art. nr.
Trimmeripea	R25B (Ø 2 mm jõhv)	529 96 69-01



# Vastavusdeklaratsioon

## EL-i vastavusdeklaratsioon

Husqvarna AB, SE-561 82 Huskvarna, Rootsi, tel: +46  
3614 6500, kinnitab ainuvastutusel, et toode:

<b>Kirjeldus</b>	Akutoitega murutrimmer
<b>Kaubamärk</b>	Husqvarna
<b>Tüüp/mudel</b>	215iL
<b>Identifitseerimine</b>	Seerianumbrid alates 2024. aastast

vastab täielikult järgmistele EÜ direktiividele ja määrustele:

Direktiiv/eeskiri	Kirjeldus
2006/42/EÜ	„masinadirektiiv“
2014/30/EL	„elektromagnetilise ühilduvuse direktiiv“
2000/14/EÜ	„seadmete müra kohta käiv direktiiv“
2011/65/EL	„elektri- ja elektroonikaseadmetes teatavate ohtlike ainete kasutamise piiramise direktiiv“

ja et kohalduvad järgmised standardid ja/või tehnilised spetsifikatsioonid: EN 60335-1:2012/A15:2021, EN 50636-2-91:2014, EN IEC 63000:2018, EN IEC 55014-1:2021; EN IEC 55014-2:2021.

Teavitatud asutus: 0197 TÜV Rheinland LGA Products GmbH, Tillystraße 2, 90431 Nürnberg, Germany kinnitab vastavust nõukogu direktiivile 2000/14/EÜ, vastavushindamise menetlus: lisa VI.

Lisateavet mürataseme kohta vt jaotisest *Tehnilised andmed lk 135*.

Huskvarna, 2024-02-01

Claes Losdal, Husqvarna AB uurimis- ja arendusjuht  
Tehnilise dokumentatsiooni eest vastutaja



## Sisällys

Johdanto.....	137	Kuljettaminen, säilyttäminen ja hävittäminen.....	149
Turvallisuus.....	139	Tekniset tiedot.....	149
Asentaminen.....	144	Lisävarusteet.....	150
Käyttö.....	145	Vaatumusten mukaisuusvakuutus.....	151
Huolto.....	147	Liite .....	454
Vianmääritys.....	148		

## Johdanto

### Tuotekuvaus

Husqvarna 215iL on akkukäyttöinen ruohotrimmeri, jossa on sähkömoottori.

Käytön aikaista turvallisuutta ja tehokkuutta kehitetään jatkuvasti. Lisätietoja saat huoltooliikkeestä.

## Käyttötarkoitus

Tuotetta käytetään metallittomien siimojen tai vastaavien joustavien, metallittomien ruohonleikkuuseen käytettävien materiaalien kanssa. Älä käytä tuotetta muihin tarkoituksiin kuin ruohon, rikkakasvien tai vastaavan pehmeän kasvillisuuden leikkaamiseen.

## Tuotteen kuvaus

(Kuva 1)

1. Siimapää
2. Terälaitteen suojus
3. Runkoputki
4. Runkoputken säätöteleskooppi
5. Kaarikahva
6. Näppäimistö
7. Näppäimistön varoitusvalo
8. Käynnistys-/pysäytyspainike
9. SavE-painike
10. Käyttöliipaisin
11. Käyttöliipaisimen varmistin
12. Virran ja varoitusten merkkivalo
13. Liitin
14. Akkulaturi 40-C80
15. Akkulaturi QC80
16. Virtajohto
17. Kasvisuoja
18. Akun varoitusvalo
19. Akun tila
20. Akun varaustilan painike
21. Akun vapautuspainikkeet
22. Akku
23. Yhdistelmätyökalu
24. Käyttöohje

## Laitteen symbolit

- (Kuva 2) VAROITUS: Tämä laite voi olla vaarallinen ja aiheuttaa käyttäjälle tai sivullisille vakavia vahinkoja tai kuoleman. Ole varovainen ja käytä laitetta oikein.
- (Kuva 3) Lue käyttöohje huolellisesti ja varmista, että ymmärrät sen sisällön, ennen kuin alat käyttää laitetta.
- (Kuva 4) Käytä suojalaseja.
- (Kuva 5) Ei saa altistaa sateelle.
- (Kuva 6) EU- (myös Uuden Etelä-Walesin lainsäädännön) ja UK-direktiivien ja -säästöjen mukainen ympäristön melupäästökilpi. Melupäästöt ilmoitetaan koneen arvokilvessä ja luvussa Tekniset tiedot.

---

**Huomaus:** Kansalliset määräykset saattavat rajoittaa laitteen käyttöä.

---

(Kuva 7) Pidä sivulliset etäällä laitteesta.

(Kuva 8) Irrota akku ennen huoltotoimenpiteitä.

(Kuva 9) Laitetta tai sen pakkausta ei saa hävittää kotitalousjätteen mukana. Vie se asianmukaiseen sähkö- ja elektroniikkalaitteiden keräyspisteeseen.

(Kuva 10) Laite täyttää voimassa olevien EU-direktiivien vaatimukset.

(Kuva 11) Laite täyttää voimassa olevien UK-säästöjen vaatimukset.

(Kuva 12) Tasavirta.

**yyyywwxxxx**

Tyypikilvessä tai lasermerkinnässä näkyy sarjanumero, jossa **yyyy** on valmistusvuosi ja **ww** on valmistusviikko.

## Akun ja/tai akkulaturin symbolit

- (Kuva 16) Vie tämä laite asianmukaiseen sähkö- ja elektroniikkalaitteiden keräyspisteeseen. (Koskee ainoastaan Eurooppaa)
- (Kuva 13) Vikaturvallinen muuntaja.
- (Kuva 14) Käytä ja säilytä akkulaturia ainoastaan sisätiloissa.
- (Kuva 15) Kaksoiseristys.

## Tuotteen vaurioituminen

Emme ole vastuussa tuotteen vaurioitumisesta, jos:

- tuote on korjattu virheellisesti
- tuotteen korjaamiseen on käytetty muita kuin valmistajan omia tai sen hyväksymiä osia
- tuotteessa on muu kuin valmistajan oma tai sen hyväksymä lisävaruste
- tuotetta ei ole korjattu valtuutetussa huoltopisteessä tai hyväksytyllä asiantuntijalla.

# Turvallisuus

## Turvallisuusmääritelmät

Varoituksia, huomioita ja huomautuksia käytetään, kun jotakin käyttöohjeen osaa halutaan erityisesti korostaa.



**VAROITUS:** Tätä käytetään, jos käyttöohjeen noudattamatta jättämisestä voi seurata käyttäjän tai sivullisen vamma tai kuolema.



**HUOMAUTUS:** Tätä käytetään, jos käyttöohjeen noudattamatta jättämisestä voi seurata koneen, muiden materiaalien tai ympäristön vaurioituminen.

**Huomautus:** Tätä käytetään tietyissä tilanteissa tarvittavien lisätietojen antamiseen.

## Yleiset sähkötyökaluja koskevat varoitukset



**VAROITUS:** Lue kaikki turvavaroitukset ja kaikki ohjeet. Varoitusten ja ohjeiden noudattamisen laiminlyöminen voi johtaa sähköiskuun, tulipaloon ja/tai vakavaan tapaturmaan.

**Huomautus: Säädä kaikki varoitukset ja ohjeet tulevaa käyttöä varten.** Varoituksissa termillä "sähkötyökalu" tarkoitetaan verkkosähköllä toimivaa (johdollista) sähkötyökalua tai akkukäyttöistä (johdotonta) sähkötyökalua.

## Tarkastus ennen käynnistystä

- Irrota akku aina käytön jälkeen, jotta laite ei käynnisty vahingossa. Irrota akku laitteesta aina ennen laitteen huoltotoimia.
- Tarkista laite kulumisen ja vaurioiden varalta aina ennen käyttöä ja minkä tahansa laitteeseen kohdistuneen iskun jälkeen. Korjaa viat tarvittaessa.
- Tarkista työskentelyalue. Poista kaikki irralliset esineet, kuten kivet, lasinsirpaleet, nauhat, rautalangat, narut ja vastaavat, jotka voivat sinkoutua liikkeelle tai kietoutua leikkaimeen tai leikkusuojukseen.
- Tarkista moottori liian ja murtumien varalta. Poista ruoho ja lehdet moottorista harjaamalla. Käytä käsineitä aina tarvittaessa.
- Varmista, että siimapää on kiinnitetty trimmeriin asianmukaisesti.
- Tarkista, että laite on moitteettomassa kunnossa. Tarkista, että kaikki mutterit ja ruuvit on kiristetty.

- Tarkista, että siimapää ja trimmerin suojus ovat ehjiä eikä niissä ole halkeamia. Vaihda siimapää tai trimmerin suojus, jos niihin on kohdistunut iskuja tai niissä on halkeamia. Käytä aina kyseiselle leikkausterälle suositeltua suojusta. Katso luku Tekniset tiedot.
- Laitteen käyttäjän on huolehdittava siitä, että ihmiset ja eläimet ovat työn aikana vähintään 15 metrin päässä laitteesta. Kun useampia käyttäjiä työskentelee samalla työalueella, on turvaetäisyyden oltava vähintään 15 metriä.
- Tarkista laite kokonaisuudessaan ennen käyttöä. Katso huoltokaavio.
- Käyttöä säädelään mahdollisesti kansallisilla tai paikallisilla määräyksillä. Noudata ilmoitettuja määräyksiä.

## Työalueen turvallisuus

- **Pidä työalue siistinä ja hyvin valaistuna.** Sotkuiset tai hämärät alueet ovat alttiita onnettomuuksille.
- **Älä käytä sähkötyökaluja räjähdysriskissä ympäristössä, esimerkiksi herkästi syttyvien nesteiden, kaasujen tai pölyn läheisyydessä.** Sähkötyökaluista lähtevät kipinät voivat sytyttää pölyn tai kaasut.
- **Pidä lapset ja sivulliset poissa, kun käytät sähkötyökalua.** Häiriöt voivat saada sinut menettämään työkalun hallinnan.

## Sähköturvallisuus

- **Sähkötyökalun pistokkeen on sovittava pistorasiaan. Älä koskaan muuta pistoketta millään tavoin. Älä käytä mitään pistokesovittimia maadoitettujen sähkötyökalujen kanssa.** Muuttamattomat pistokkeet ja sopivat pistorasiat vähentävät sähköiskun vaaraa.
- **Varo koskettamasta maadoitettuja pintoja, kuten putkia, pattereita, liesiä ja jääkaappeja.** Sähköiskun riski kasvaa, jos käyttäjän keho on maadoitettu.
- **Älä altista sähkötyökaluja sateelle tai märille olosuhteille.** Sähkötyökaluun päässyt vesi lisää sähköiskun riskiä.
- **Älä vahingoita johtoa. Älä koskaan käytä johtoa kantamiseen, vetämiseen tai pistokkeen irrottamiseen pistorasiasta. Pidä johto etäällä kuumuudesta, öljystä, terävistä reunoista tai liikkuvista osista.** Vialliset tai solmussa olevat johdot lisäävät sähköiskuvaaraa.
- **Kun käytät sähkötyökalua ulkona, käytä ulkotiiloihin sopivaa jatkojohtoa.** Ulkokäyttöön sopivan johdon käyttäminen vähentää sähköiskuvaaraa.
- **Mikäli sähkötyökalun käyttämistä kosteassa ei voida välttää, käytä virtalähdettä, jossa on vikavirtasuojakytkin (RCD).** Vikavirtasuojakytkimen käyttö vähentää sähköiskun vaaraa.

## Henkilökohtainen turvallisuus

- **Pysy valppaana, katso mitä teet ja käytä tervettä järkeä käyttäessäsi sähkötyökäluä. Älä käytä sähkötyökäluä väsyneenä tai alkoholin, huumeiden tai lääkytyksen vaikutuksen alaisena.** Hetken epähuomio sähkötyökäluja käytettäessä voi johtaa vakavaan henkilövahinkoon.
- **Käytä henkilökohtaisia suojavarusteita. Pidä aina silmäsuojia.** Hengityssuojain, luistamattomat turvakengät, kypärä, kuulosuojaimet ja muut suojavarusteet niitä vaativissa oloissa käytettyinä vähentävät henkilövahinkoja.
- **Estä tahaton käynnistys. Varmista ennen virtalähteeseen ja/tai akkuun kytkemistä, työkaluun tartumista tai sen kantamista, että sen virta on katkaistu.** Sähkötyökälujen kantaminen sormi katkaisijalla tai niiden kytkeminen sähköverkkoon tai akkuun katkaisimen ollessa päällä altistaa onnettomuuksille.
- **Irrota mahdolliset säätöavaimet ennen virran kytkemistä sähkötyökäluun.** Sähkötyökäluun pyöriivään osaan kiinnitetty avain voi aiheuttaa henkilövahingon.
- **Älä kurota. Säilytä aina tukeva asento ja tasapaino.** Tämä mahdollistaa sähkötyökäluun paremman hallinnan odottamattomissa tilanteissa.
- **Pukeudu oikein. Älä käytä löysästi istuvia vaatteita tai koruja. Pidä hiukset ja vaatteet etäällä liikkuvista osista.** Löysät vaatteet, korut tai pitkät hiukset voivat tarttua liikkuviin osiin.
- **Jos käytettävissä on kytkentämahdollisuus pölynpoistojärjestelmälle, varmista, että se kytketään ja että sitä käytetään oikein.** Pölynpoistojärjestelmän käyttö voi vähentää pölyyn liittyviä riskejä.
- **Vaikka olisit käyttänyt työkaluja usein ja tuntisit ne hyvin, muista aina ottaa huomioon työkalun turvamääräykset.** Huolimatonta toiminta voi aiheuttaa vakavia vahinkoja sekunnin murto-osassa.
- **Tärinäpäästöt sähkötyökäluun varsinaisen käytön aikana voivat poiketa ilmoitetusta kokonaisarvosta työkalun käyttötavasta riippuen.** Käyttäjien tulee itsensä suojaamiseksi noudattaa turvatoimia, jotka perustuvat päästöjen arviointiin todellisissa käyttöolosuhteissa (huomioon ottaen kaikki käyttöjakson osat, kuten työkalun päältäkytkemisaika ja se, milloin se käy joutokäynnillä, liipaisimen lisäksi).

## Sähkötyökälujen käyttö ja huolto

- **Älä pakota sähkötyökäluä. Käytä käyttöä tarkoitukseen sopivaa sähkötyökäluä.** Oikea sähkötyökälu tekee työn paremmin ja turvallisemmin nopeudella, jota varten se on suunniteltu.
- **Älä käytä sähkötyökäluä, jos virtaa ei voi kytkeä ja katkaista virtakatkaisimella.** Mikä tahansa sähkötyökälu, jota ei voi hallita katkaisimella, on vaarallinen, ja se pitää korjata.
- **Irrota pistoke pistorasiasta ja/tai akku sähkötyökäluusta, mikäli mahdollista, ennen kuin teet**

mitään säätöjä, vaihdat lisävarusteita tai varastoit sähkötyökäluun. Sellaiset varotoimet vähentävät riskiä, että sähkötyökälu käynnistetään vahingossa.

- **Varastoi käyttämättömät sähkötyökäluet pois lasten ulottuvilta, äläkä anna henkilöiden, jotka eivät tunne sähkötyökäluä tai näitä ohjeita, käyttää sähkötyökäluä.** Sähkötyökäluet ovat vaarallisia kouluttamattomien käyttäjien käsissä.
- **Huolla sähkötyökäluja ja lisävarusteita. Tarkista, etteivät liikkuvat osat ole väärin suunnattuja tai tarttuvia, ettei mikään osa ole murtunut sekä kaikki muut tekijät, jotka voivat vaikuttaa sähkötyökäluun toimintaan. Jos sähkötyökälu on vahingoittunut, korjauta se ennen käyttöä.** Monet onnettomuudet johtuvat huonosti huolletuista sähkötyökäluista.
- **Pidä leikkaustyökäluet terävinä ja puhtaina.** Oikein huolletut leikkaustyökäluet, joiden leikkausreunat ovat terävät, eivät juutu kiinni niin helposti ja ovat helpommin hallittavissa.
- **Käytä sähkötyökäluä, lisävarusteita, teriä jne. näiden ohjeiden mukaisesti ottaen huomioon työskentelyolosuhteet ja suoritettavan työn laadun.** Sähkötyökäluun käyttäminen ennakoituista poikkeavissa olosuhteissa voi johtaa vaaratilanteeseen.
- **Pidä kahvat ja tarttumapinnat kuivina, puhtaina ja öljytöminä sekä puhtaana vaselinista.** Liukkaat kahvat ja tarttumapinnat eivät mahdollista työkalun turvallista käsittelyä ja hallintaa odottamattomissa tilanteissa.

## Akkukäyttöisten työkalujen käyttö ja huolto

- **Lataa akku ainoastaan valmistajan tarkoitukseen nimeämällä laturilla.** Tietynlaiseen akustoon soveltuva laturi voi aiheuttaa tulipalon vaaran, jos sitä käytetään toisenlaisen akuston lataamiseen.
- **Liitä tuotteisiin ainoastaan niissä käytettäviksi hyväksytyt akkuja.** Muunlaisten akkujen käyttö voi aiheuttaa tapaturmien tai tulipalon vaaran.
- **Kun akkuä ei käytetä, pidä se etäällä metalliesineistä, kuten paperiliittimistä, kolikoista, avaimista, nautoista, ruuveista tai muista pienistä metalliesineistä, jotka saattavat aiheuttaa kosketuksen liittinten välillä.** Akkuliitinten saattaminen keskenään oikosulkuun voi aiheuttaa palovammoja tai tulipalon.
- **Akusta voi tihkua nestettä väärissä olosuhteissa. Vältä kosketusta akkunesteeseen. Jos akkunestettä joutuu iholle, huuhtelee ihoalue vedellä. Jos neste joutuu kosketuksiin silmien kanssa, ota myös yhteys lääkäriin.** Akkuneste voi aiheuttaa ihoärsytystä tai palovammoja.
- **Älä käytä vaurioitunutta tai muutettua akkuä tai työkaluä.** Jos tuotteessa käytetään vaurioituneita tai muutettuja akkuja, tuote ei välttämättä toimi asianmukaisesti. Seurauksena saattaa olla tulipalo, räjähdys tai tapaturma.
- **Älä altista akkuä tai työkaluä tulelle tai korkeille lämpötiloille.** Tuotteen altistaminen tulelle tai yli 130 °C:n lämpötilalle voi aiheuttaa räjähdysken.

- **Noudata kaikkia latausohjeita äläkä lataa akkua tai työkalua ohjeissa määritetyn lämpötila-alueen ulkopuolella.** Akun lataaminen väärin tai sallituista lämpötiloista poikkeavissa olosuhteissa voi vahingoittaa akkua ja lisätä tulipalorisäitä.

## Huolto

- **Anna sähkötyökalun korjaaminen pätevän korjaajan tehtäväksi, joka käyttää vain täysin samanlaisia vaihto-osia.** Tämä varmistaa, että sähkötyökalu säilyy turvallisena käyttäjä.
- **Älä koskaan huolla vahingoittuneita akkuja.** Akkuja saavat huoltaa vain valmistaja ja valtuutetut palveluntarjoajat.

## Käytä aina tervettä järkeä

On mahdotonta kuvata kaikkia mahdollisia tilanteita, joita laitteen käytössä voi ilmetä. Ole aina varovainen ja käytä tervettä järkeä. Vältä tilanteita, mihin et katso taitosi riittävän. Mikäli olet vielä näiden ohjeiden lukemisen jälkeen epävarma menettelytavoista, sinun on kysyttävä neuvoa asiantuntijalta ennen jatkamista.



**VAROITUS:** Älä anna koskaan lasten käyttää laitetta tai oleskella sen läheisyydessä. Koska laite on helppo käynnistää, myös lapset saattavat pystyä käynnistämään sen, ellei heitä valvota. Tämä voi johtaa vakaviin henkilövahinkoihin. Irrota sen vuoksi akku aina, kun laite on ilman valvontaa.

## Yleiset turvallisuusohjeet



**VAROITUS:** Lue seuraavat varoitukset ennen tuotteen käyttöä.

- Irrota akku käytön jälkeen, jotta tuote ei käynnisty vahingossa.
- Tämä tuote on vaarallinen työkalu, jos sitä käytetään huolimattomasti tai väärin. Tämä tuote voi aiheuttaa käyttäjälle tai sivullisille vakavia vammoja tai kuoleman.
- Älä käytä tuotetta, jos sen alkuperäisiä ominaisuuksia on muutettu. Älä muuta edes osaa tuotteesta ilman valmistajan lupaa. Käytä vain valmistajan hyväksymiä osia. Virheellinen huolto voi aiheuttaa tapaturman tai kuoleman.
- Tarkista tuote ennen käyttöä. Katso *Tarkastus ennen käynnistystä sivulla 139* ja *Ennen laitteen käyttöä sivulla 145*. Älä käytä tuotetta, joka on vahingoittunut tai joka ei toimi oikein. Noudata tässä käyttöohjeessa annettuja turvallisuustarkastuksia, kunnossapitoa ja huoltoa koskevia ohjeita.
- Lapsia on valvottava, jotta voidaan varmistaa, etteivät he leiki tuotteella. Älä koskaan anna lasten tai henkilöiden, joille ei ole annettu tuotteen ja/tai akun käyttökoulutusta, käyttää tai korjata

sitä. Paikalliset määräykset saattavat asettaa ikärajoituksia käyttäjille.

- Säilytä tuotetta lukitussa varastossa, jonne lapset ja asiattomat henkilöt eivät pääse.
- Säilytä laite lasten ulottumattomissa.
- Tuotteen rakennetta ei missään tapauksessa saa muuttaa ilman valmistajan lupaa. Käytä aina alkuperäisiä lisävarusteita. Hyväksymättömien muutosten ja/tai lisävarusteiden käyttö voi aiheuttaa käyttäjälle ja muille vakavia vahinkoja tai kuoleman.

**Huomautus:** Käyttöä säädellään mahdollisesti kansallisilla tai paikallisilla laeilla. Noudata ilmoitettu määräyksiä.

## Turvallisuusohjeet käyttöä varten



**VAROITUS:** Lue seuraavat varoitussuhteet ennen laitteen käyttämistä.

- **Älä käytä laitetta epäsuotuisissa sääolosuhteissa, etenkin jos salamointi on mahdollista.** Näin pienennät salamankuonon riskiä.
- **Tarkista perusteellisesti koneen käyttöalueella elävät luontokappaleet.** Luontokappaleet voivat loukkaantua koneen käytön aikana.
- **Tarkista koneen käyttöalue huolellisesti ennen käyttöä ja poista kaikki kivet, risut, johdot, luut ja muut vierasesineet.** Sinkoutuvat esineet voivat aiheuttaa henkilövahinkoja.
- **Tarkasta aina ennen käyttöä silmämääräisesti, että leikkuri ja leikkurikokoonpano eivät ole vaurioituneet.** Vaurioituneet osat lisäävät loukkaantumisvaaraa.
- **Pidä suojukset paikollaan. Suojusten on oltava toimintakunnossa ja oikein asennettuina.** Irrallinen, vaurioitunut tai huonosti toimiva suojus voi aiheuttaa henkilövahinkoja.
- **Pidä kaikki jäähdytysilman tuloaukot puhtaina roskista.** Tukkeutuneet tuloaukot ja roskat voivat aiheuttaa ylikuumenemista tai tulipalon vaaran.
- **Käytä aina suojalaseja ja kuulonsuojaimia.** Riittävät suojavarusteet vähentävät henkilövahinkoja.
- **Käytä aina koneen käytön aikana luistamattomia suojajalkineita. Älä käytä konetta avoaloin tai avoimet sandaalit jalassa.** Tämä vähentää jalkojen loukkaantumisen vaaraa, jos ne osuvat liikkuvaan leikkuriin.
- **Käytä aina konetta käyttäessäsi peittäviä vaatteita, kuten housuja, jotka peittävät jalkasi kunnolla.** Kosketus liikkuvaan leikkuriin tai siimaan voi aiheuttaa vammoja.
- **Pidä sivulliset poissa, kun käytät konetta.** Sinkoutuvat roskat voivat johtaa vakavaan henkilövahinkoon.
- **Älä käytä laitetta vyötärötason yläpuolella.** Tämä auttaa estämään tahattoman leikkurikosketuksen ja mahdollistaa paremman koneen hallinnan odottamattomissa tilanteissa.

- **Ole varovainen, kun käytät konetta ruohon ollessa märkää. Liiku kävelyvauhtia, ei juosten.** Tämä vähentää liukastumisen ja kaatumisen vaaraa, josta voi aiheutua henkilövahinkoja.
- **Älä käytä konetta hyvin jyrkissä rinteissä.** Tämä vähentää hallinnan menettämisen, liukastumisen ja kaatumisen vaaraa, josta voi aiheutua henkilövahinkoja.
- **Kun työskentelet rinteessä, pidä jalkasi tukevasti maassa. Käytä konetta aina sivusuunnassa rinteeseen nähden äläkä koskaan ala- tai yläsuunnassa. Ole erittäin varovainen, kun vaihdat suuntaa.** Tämä vähentää hallinnan menettämisen, liukastumisen ja kaatumisen vaaraa, josta voi aiheutua henkilövahinkoja.
- **Pidä kaikki virtajohdot ja kaapelit poissa leikkuualueelta.** Käytön aikana virtajohdot tai kaapelit voivat jäädä näkymättömiin pensasaitoihin tai pensaikkoihin, jolloin siima tai leikkuri saattaa vahingossa leikata tai vaurioittaa niitä.
- **Pidä kaikki kehon osat poissa trimmerileikkurin tai -siiman ulottuvilta. Älä poista materiaalia koneesta, ennen kuin se on irrotettu virtalähteestä.** Liikkuva trimmerileikkuri tai -siima voi aiheuttaa vakavia vammoja.
- **Kanna konetta virta katkaistuna ja pois päin kehostasi.** Koneen asianmukainen käsittely pienentää tahattoman, liikkuvaan trimmerileikkuriin tai -siimaan kosketuksen riskiä.
- **Käytä vain valmistajan määrittämiä leikkuupäitä ja trimmerileikkureita tai -siimoja. Älä vaihda trimmerileikkureita tai -siimoja metallijoihtoihin tai -teriin.** Vääränlaiset varaosat voivat aiheuttaa hallinnan menetyksen, rikkoutumisen ja loukkaantumisen.

## Henkilökohtainen suojavarustus



**VAROITUS:** Lue seuraavat varoitusohjeet ennen laitteen käyttämistä.

- Käytä aina hyväksytyjä henkilökohtaisia suojavarusteita, kun käytät laitetta. Henkilökohtaiset suojavarusteet eivät poista tapaturmien vaaraa, mutta ne lieventävät vammoja onnettomuusilanteessa. Anna jälleenmyyjän auttaa oikeiden varusteiden valinnassa.
- Käytä hyväksytyjä kuulonsuojaimia.

(Kuva 17)

- Käytä hyväksytyjä silmäsuojaimia. Visiiriä käytettäessä on käytettävä myös hyväksytyjä suojalaseja. Hyväksytyillä suojalaseilla tarkoitetaan laseja, jotka täyttävät standardin ANSI Z87.1 (Yhdysvallat) tai EN 166 (EU-maat) vaatimukset.

(Kuva 18)

- Käytä käsineitä tarvittaessa esimerkiksi terävarustuksen asennuksen, tarkastuksen ja puhdistuksen aikana.

(Kuva 19)

- Käytä turvajalkineita, joissa on teräskärjet ja luistamattomat pohjat.

(Kuva 20)

- Käytä lujasta materiaalista valmistettuja vaatteita. Käytä aina vahvakankaisia pitkiä housuja ja pitkähihaista takkia. Vältä liian löysiä vaatteita, jotka tarttuvat helposti risuihin ja oksiiin. Älä käytä koruja, lyhyitä housuja tai sandaaleja. Älä ole paljain jaloin. Sido hiukset turvallisesti olkapäiden yläpuolelle.
- Pidä ensiaputarvikkeet lähettyvillä.

(Kuva 21)

## Tuotteen turvalaitteet



**VAROITUS:** Lue seuraavat varoitukset ennen tuotteen käyttöä.

Tässä osassa kerrotaan laitteen turvaominaisuuksista ja niiden toiminnasta sekä annetaan tarkastus- ja kunnossapito-ohjeet, joilla varmistetaan laitteen toimivuus. Lue kohdasta *Johdanto sivulla 137* tiedot siitä, missä osat sijaitsevat laitteessa.

Laitteen käyttöikä voi lyhentyä ja onnettomuusvaara kasvaa, jos laitteen kunnossapitoa ei suoriteta oikein ja jos huoltoa ja/tai korjauksia ei tehdä ammattitaitoisesti. Saat lisätietoja lähimmästä huoltoliikkeestä.



**VAROITUS:** Älä koskaan käytä tuotetta, jos sen turvalaitteet ovat vaurioituneet. Laitteen turvalaitteet on tarkastettava ja pidettävä kunnossa tässä osassa esitetyllä tavalla. Jos laitteessasi ilmenee tarkastettaessa puutteita, se on toimitettava huoltoliikkeeseen korjattavaksi.



**HUOMAUTUS:** Kaikki laitteen huolto- ja korjaustyöt vaativat erikoiskoulutusta. Tämä koskee erityisesti laitteen turvaruostusta. Jos laitteessa havaitaan puutteita alla luetelluissa tarkastuksissa, on sinun otettava yhteys huoltoliikkeeseen. Hankkimalla laitteen meiltä varmistat, että saat sille ammattimaisen korjauksen ja huollon. Jos ostat laitteen muusta kuin huollot suorittavasta ammattiliikkeestä, pyydä myyjää neuvomaan lähin huoltoliike.

## Näppäimistön tarkistaminen

1. Paina käynnistys-/pysäytyspainiketta (A). (Kuva 22)
  - a) Laitte on käynnissä, kun merkkivalo (B) palaa.
  - b) Laitte ei ole käynnissä, kun merkkivalo (B) ei pala.
2. Katso osio *Näppäimistö sivulla 148*, jos varoitusmerkkivalo (C) syttyy tai vilkkuu.

## Käyttöliipaisimen varmistimen tarkistaminen

Käyttöliipaisimen varmistin estää laitteen tahattoman käynnistymisen. Kun painat käyttöliipaisimen varmistinta (A), käyttöliipaisin (B) vapautuu. Kun irrotat otteen kahvasta, sekä käyttöliipaisin että varmistin palautuvat lähtöasentoonsa. (Kuva 23)

1. Varmista, että käyttöliipaisin on lukittu, kun käyttöliipaisimen varmistin on alkuasennossa. (Kuva 24)
2. Paina käyttöliipaisinta ja varmista, että se palautuu lähtöasentoonsa, kun se vapautetaan. (Kuva 25)
3. Tarkista, että käyttöliipaisin ja sen varmistin liikkuvat vapaasti ja palautusjousi toimii oikein. (Kuva 26)
4. Käynnistä laite. Katso kohta *Laitteen käynnistäminen sivulla 146*.
5. Käytä täyttä käyntinopeutta.
6. Vapauta käyttöliipaisin ja varmista, että terälaitte pysähtyy.

## Terälaitteen suojuksen tarkistaminen



**VAROITUS:** Älä käytä terälaitetta ilman hyväksyttyä ja oikein kiinnitettyä terälaitteen suojusta. Käytä aina käyttämällesi terälaitteelle suositeltua suojusta. Katso kohta *Tekniset tiedot sivulla 149*. Jos terälaitteeseen asennetaan väärä tai viallinen suojuus, se voi aiheuttaa vakavan henkilövahingon.

Terälaitteen suojuus pysäyttää käyttäjää kohti sinkoutuvat esineet. Suojuus ehkäisee myös terälaitteen koskettamisesta syntyviä vammoja.

1. Pysäytä moottori.
2. Tarkista silmämääräisesti, onko vaurioita, kuten halkeamia.
3. Vaihda terälaitteen suojuus, jos se on vaurioitunut.

## Terävarustus

Valitse oikea terävarustus ja huolla se, jotta

- saat parhaan leikkuutehon
- ja terävarustuksen käyttöikä pitenee.



**VAROITUS:** Käytä terävarustuksessa vain suosittelemamme suojusta! Katso *Tekniset tiedot sivulla 149*. Katso terävarustuksen ohjeista trimmerin siiman kelausohjeet ja oikean trimmerin siimakoon valinta.



**VAROITUS:** Viallinen terävarustus voi lisätä onnettomuuksien vaaraa.



**VAROITUS:** Pysäytä aina moottori, ennen kuin alat käsitellä terävarustusta. Se pyörii vielä kaasuliipaisimen vapauttamisen jälkeen. Varmista, että terävarustus on täysin pysähtynyt ja irrota sytytystulpan suojuus, ennen kuin alat käsitellä terälaitetta.

## Siimapää



**VAROITUS:** Varmista aina, että trimmerin siima kelautuu tiukalle ja tasaisesti puolalle. Muussa tapauksessa laite aiheuttaa terveydelle haitallista tärinää.

(Kuva 27)

- Käytä vain suositeltuja siimapäitä ja trimmerin siimoja.
- Käytä vain suositeltuja terälaitteita.
- Pieni laite vaatii pienet siimapäät ja päinvastoin.
- Trimmerin siiman pituudella on merkitystä. Pitkä trimmerin siima vaatii suuremman moottoritehon kuin yhtä paksu, mutta lyhyempi siima.
- Varmista, että siimapään suojuksessa oleva veitsi on ehjä. Trimmerin siima katkaistaan sillä oikeanpituiseksi.
- Pidennä trimmerin siiman käyttöikä liottamalla sitä vedessä muutaman päivän ajan ennen käyttöä.

## Akkurivarmisuus



**VAROITUS:** Lue seuraavat varoitukset ennen tuotteen käyttöä.

- Käytä vain sarjaa BLi ja sarjan 40-B akku. Katso lisätietoja kohdasta *Tekniset tiedot sivulla 149*. Akku on ohjelmistosalattu.
- Käytä sarjaa BLi ja sarjan 40-B ladattavaa akku vain asiaankuuluvien Husqvarna tuotteiden virtalähteenä. Tapaturmien välttämiseksi akku ei saa käyttää muiden laitteiden virtalähteenä.
- Sähköiskun vaara. Älä koske akun napoihin avaimella, kolikolla, ruuvilla tai muilla metalliesineillä. Tämä voi aiheuttaa akun oikosulun.
- Älä käytä akkuja, joita ei voi ladata.
- Älä aseta esineitä akun ilma-aukkoihin.
- Pidä akku suojuksessa auringonvalolta, kuumuudelta ja avotulelta. Akku voi aiheuttaa palo- ja/tai syöpymisvammoja.
- Suojaa akku sateelta ja kosteilta olosuhteilta.
- Älä altista akku mikroaalloille ja korkealle paineelle.
- Älä yritä purkaa tai rikkoa akku.
- Jos akku vuotaa, älä anna nesteen joutua kosketuksiin kehon tai silmien kanssa. Jos nestettä joutuu iholle, puhdista iho heti runsaalla vedellä ja saippualla ja hakeudu lääkäriin. Jos nestettä joutuu

silmiin, älä hankaa silmiä vaan huuhtele niitä vedellä ainakin 15 minuuttia ja hakeudu lääkäriin.

- Käytä akkua lämpötilan ollessa välillä  $-10\text{ °C}$  ( $14\text{ °F}$ ) –  $40\text{ °C}$  ( $114\text{ °F}$ ).
- Älä pese akkua tai akkulaturia vedellä. Katso *Laitteen, akun ja akkulaturin puhdistaminen sivulla 147*.
- Älä käytä viallista tai vaurioitunutta akkua.
- Säilytä akkuja varastossa kaukana metalliesineistä kuten nauloista, ruuveista ja koruista.
- Pidä akku poissa lasten ulottuvilta.

## Akkulaturin turvallisuus



**VAROITUS:** Lue seuraavat varoitukset ennen tuotteen käyttöä.

- On olemassa sähköiskun tai oikosulun vaara, jos turvaohjeita ei noudateta.
- Käytä vain akun mukana toimitettua akkulaturia. Käytä vain latureita QC80 ja 40-C80 sarjan BLi ja sarjan 40-B vaihtoakkujen lataukseen.
- Älä yritä purkaa akkulaturia.
- Älä käytä viallista tai vaurioitunutta akkulaturia.
- Älä nosta akkulaturia virtajohdosta. Irrota akkulaturi pistorasiasta vetämällä pistoke ulos. Älä vedä virtajohdosta.
- Pidä kaikki kaapelit ja jatkojohdot poissa veden, öljyn ja terävien reunojen ulottuvilta. Varmista, ettei kaapeli jää ovien, aitojen tai muiden vastaavien esineiden väliin.
- Älä käytä akkulaturia herkästi syttyvien materiaalien tai syöpymistä aiheuttavien materiaalien lähellä. Varmista, että akkulaturia ei ole peitetty. Jos havaitset savua tai tulta, irrota akkulaturin pistoke pistorasiasta.
- Lataa akku vain sisätiloissa poissa auringonvalosta ja paikassa, jossa on hyvä ilmanvaihto. Älä lataa akkua ulkona. Älä lataa akkua märissä olosuhteissa.

- Käytä akkulaturia vain lämpötilan ollessa välillä  $5\text{ °C}$  ( $41\text{ °F}$ ) –  $40\text{ °C}$  ( $104\text{ °F}$ ). Käytä laturia kuivassa ja pölyttömässä ympäristössä, jossa on hyvä ilmanvaihto.
- Älä aseta esineitä akkulaturin jäähdytysaukoihin.
- Älä liitä akkulaturin liittimiä metalliesineisiin, sillä tämä voi aiheuttaa akkulaturin oikosulun.
- Käytä hyväksytyjä ja ehjiä pistorasioita. Varmista, että akkulaturin johto ei ole vahingoittunut. Jos käytät jatkojohtoja, varmista, että ne eivät ole vahingoittuneet.
- Älä lataa akkulaturilla akkuja, jotka eivät sovellu uudelleenlataukseen.

## Turvaohjeet huoltoa varten



**VAROITUS:** Lue seuraavat varoitushjeet ennen laitteen huoltamista.

- Irrota akku ennen laitteen huoltoa, muita tarkistuksia tai kokoamista.
- Käyttäjän on huolehdittava ainoastaan tässä käyttöohjekirjassa kuvatuista korjaus- ja huoltotoimista. Anna huoltoliikkeen tehdä suuremmat korjaus- ja huoltotoimet.
- Älä pese akkua tai akkulaturia vedellä. Vahvat pesuaineet voivat vaurioittaa muovia.
- Laitteen huoltamatta jättäminen lyhentää sen käyttöikää ja lisää onnettomuusriskejä.
- Laitteen huolto- ja korjaustyöt, erityisesti laitteen turvalaitteille tehtävät työt, vaativat erityiskoulutusta. Jos kaikkia käyttöohjekirjassa luettuja tarkastuksia ei huollon jälkeen voida suorittaa hyväksytysti, vie laite huoltoliikkeeseen. Siellä laitteesi huolletaan ja korjataan ammattimaisesti.
- Käytä vain alkuperäisiä varaosia.

## Asentaminen

### Johdanto



**VAROITUS:** Lue ja sisäistä turvallisuutta käsittelevä luku ennen laitteen asentamista.

### Trimmerin suojuksen kiinnittäminen

1. Aseta trimmerin suojuksen moottorikotelon päälle. (Kuva 28).
2. Asenna pultti moottorikotelon ja trimmerin suojuksen läpi. (Kuva 29)
3. Kiristä pultti.

### Siimapään asennus

1. Käännä käyttöakselia, kunnes jousilevyn reikä on kulmavaihdekotelon reiän kohdalla.
2. Lukitse akseli asettamalla lukkotappi (B) reikään.
3. Kierrä siimapäätä vastapäivään. (Kuva 30)

### Kaarikahvan asennus

1. Asenna ruuvi kaarikahvaan. (Kuva 31)
2. Asenna kaarikahva runkoputkeen.
3. Kiristä ruuvi.
4. Säädä kaarikahva oikeaan asentoon. Katso kohta *Kaarikahvan ja teleskooppivarren säätäminen sivulla 146*.



## Kasvisuojan asennus

1. Asenna kasvisuoja moottorikotelon reikiin. (Kuva 32)
2. Varmista, että kasvisuoja liikkuu vapaasti eteen- ja taaksepäin. (Kuva 33)

## Akkulaturin (40-C80) kiinnitys seinään



**HUOMAUTUS:** Älä käytä sähkökäyttöistä ruuvinväännintä

asentaessasi akkulaturia seinään. Sähkökäyttöinen ruuviväännin voi vaurioittaa akkulaturia.

1. Asenna akkulaturi seinään kahdella ruuvilla (B). Käytä tarvittaessa ruuvitulppia (A). (Kuva 34)
2. Asenna ruuvireikien tulpat (2 kpl) (C).
3. Kytke sitten akkulaturin virtajohto akkulatureihin ja pistorasiaan.

## Käyttö

### Johdanto



**VAROITUS:** Lue ja sisäistä turvallisuutta käsittelevä luku ennen laitteen käyttöä.

### Ennen laitteen käyttöä

- Varmista työaluetta tutkimalla, että tunnet maaston laadun. Tarkista maaston kaltevuus ja mahdolliset esteet, kuten kivet, oksat ja ojat.
- Suorita tuotteen yleistarkastus.
- Tee tässä ohjekirjassa kuvatut turvallisuustarkastukset ja huolto- ja ylläpitotoimenpiteet.
- Tarkista moottori lian ja murtumien varalta. Poista moottorista ruoho ja lehdet harjalla. Käytä tarvittaessa suojakäsineitä.
- Tarkista siimapää ja terälaitteen suojus vaurioiden tai halkeamien varalta. Vaihda siimapää ja terälaitteen suojus, jos niissä on kolhuja tai halkeamia.
- Varmista, että kaikki ruuvit ja mutterit on kiristetty.
- Varmista ennen laitteen käyttöä, että kaikki kannet, suojukset, kahvat ja terävarustus on kiinnitetty oikein, eikä niissä ole vaurioita.

### Akku



**VAROITUS:** Lue ja sisäistä turvallisuutta käsittelevä luku ennen akun käyttöä. Lue myös akun ja akkulaturin käyttöohje niin, että ymmärrät sen sisällön.

Säilytä akku ja laturi oikeassa lämpötilassa.

	Ympäristön lämpötila
Akun käyttö	5 °C - 40 °C / 41 °F - 104 °F
Akun lataaminen	5 °C - 40 °C / 41 °F - 104 °F

### Akun tila

Näyttö osoittaa akun varaustason ja mahdolliset akkuun liittyvät ongelmat.

(Kuva 35)

LED-merkkivalo	Akun varaustila	
	BLi10, BLi20	40-B70, 40-B140
4 merkkivaloa palaa	–	Akun varaustaso on 76–100 %.
3 merkkivaloa palaa	Akun varaustaso on 76–100 %.	Akun varaustaso on 51–75 %.
2 merkkivaloa palaa	Akun varaustaso on 51–75 %.	Akun varaustaso on 26–50 %.
1 merkkivalo palaa	Akun varaustaso on 26–50 %.	Akun varaustaso on 6–25 %.
1 merkkivalo vilkkuu	Akun varaustaso on 0–25 %.	Akun varaustaso on 0–5%.

### Akun lataaminen

Lataa akku, jos sitä käytetään ensimmäisen kerran. Uuden akun varaus on vain 30 %.



**HUOMAUTUS:** Liitä laturi pistorasiaan, jonka jännite ja taajuus ovat tyyppikilven mukaisia.

Akku ei lataudu, jos akun lämpötila on yli 50 °C / 122 °F.

1. Kytke virtajohto akkulaturiin.
2. Liitä akkulaturi maadoitettuun pistorasiaan. Latauksen merkkivalo vilkkuu kerran. (Kuva 36)
3. Kytke akku akkulaturiin. Latauksen merkkivalo syttyy. Lataa akkua enintään 24 tuntia. (Kuva 37)
4. Paina akun merkkivalopainiketta. Jos kaikki merkkivalot syttyvät, akku on ladattu täyteen.
5. Irrota laturi pistorasiasta vetämällä sähköpistokkeesta. Älä vedä virtajohdosta.
6. Irrota akku akkulaturista.

## Akun kiinnittäminen laitteeseen



**VAROITUS:** Käytä laitteessa vain alkuperäistä Husqvarna-akkua.

1. Lataa akku täyteen.
2. Paina akku laitteen akun pidikkeeseen. Akku lukittuu paikalleen, kun kuulet napsahduksen. (Kuva 38)



**HUOMAUTUS:** Jos akku ei siirry pidikkeeseen helposti, sitä ei ole asennettu oikein pidikkeeseen. Se voi vaurioittaa konetta.

## Laitteen käynnistäminen

1. Paina käynnistys-/pysäytyspainiketta, kunnes vihreä merkkivalo syttyy. (Kuva 39)
2. Paina käyttöliipaisimen varmistinta ja käyttöliipaisinta. Terälaite alkaa pyöriä.

## Kaarikahvan ja teleskooppivarren säätäminen

1. Avaa lukituskahva ja säädä kaarikahva oikeaan asentoon. (Kuva 40)
2. Sulje lukituskahva.
3. Irrota runkoputken vipu. (Kuva 41)
4. Aseta runkoputken pituus. Varmista, että näet kolmion runkoputkessa. (Kuva 42)
5. Sulje vipu ja kiristä ruuvi.

**Huomautus:** Älä kiinnitä kaarikahvaa runkoputkessa olevien varoituskilpien päälle.

## SavE-toiminnon käyttäminen

Tässä laitteessa on virransäästötoiminto, SavE.

**Huomautus:** SavE-toiminto ei vähennä laitteen leikkuutehoa.

1. Paina näppäimistön SavE-painiketta.

2. Varmista, että vihreä merkkivalo syttyy.
3. Sammuta toiminto painamalla SavE-painiketta uudelleen. Vihreä merkkivalo sammuu. (Kuva 43)

## Automaattinen sammutustoiminto

Laitteessa on pysäytystoiminto, joka pysäyttää laitteen, kun laitetta ei käytetä. Vihreä virran merkkivalo sammuu, ja laite pysähtyy kolmen minuutin kuluttua.

## Laitteen käyttö

### Ruohon siistiminen

1. Pidä siimapää aivan maanpinnan yläpuolella ja kallista sitä. Älä paina siimaa ruuhon. (Kuva 44)
2. Lyhennä siiman pituutta noin 10–12 cm (4–4,75").
3. Pienennä moottorin käyntinopeutta, jotta kasvit eivät vahingoitu.
4. Käytä 80 % täydestä kaasusta, kun leikkaat ruohoa esineiden läheltä. (Kuva 45)

### Ruohon raivaaminen

1. Pidä siimapää maanpinnan yläpuolella.
2. Kallista siimapäätä.
3. Leikkaa siiman päällä työalueella olevien kohteiden ympäriltä.



**HUOMAUTUS:** Leikkaa ruohoa. Siiman osuminen muihin kohteisiin kuluttaa siimaa.

### Ruohon leikkaaminen

1. Varmista, että siima on maanpinnan suuntaisena, kun leikkaat ruohoa. (Kuva 46)
2. Älä paina siimapäätä maahan. Se voi vaurioittaa laitetta.
3. Liikuta laitetta puolelta toiselle, kun leikkaat ruohoa. Käytä laitetta täydellä kaasulla. (Kuva 47)

### Ruohon lakaiseminen

Leikatun ruohon voi poistaa alueelta pyörivän trimmerin siiman aiheuttaman ilmavirran avulla.

1. Pidä siimapäätä ja siimaa maan suuntaisesti maan yläpuolella.
2. Anna täyskaasu.
3. Lakaise ruoho liikuttamalla siimapäätä puolelta toiselle.



**VAROITUS:** Puhdista siimapään kansi aina, kun asennat uuden siiman, epätasapainon ja kahvojen tärinän estämiseksi. Tarkista myös muut siimapään osat ja puhdista tarvittaessa.

## Laitteen pysäyttäminen

1. Vapauta käyttöliipaisin ja käyttöliipaisimen varmistin.
2. Paina käynnistys-/pysäytyspainiketta, kunnes vihreä merkkivalo sammuu.

3. Paina akun vapautuspainiketta ja irrota akku laitteesta. (Kuva 48)

## Siiman vaihto

Katso tämän käyttöohjekirjan viimeinen sivu.

## Huolto

### Johdanto



**VAROITUS:** Lue ja sisäistä turvallisuutta käsittelevä luku ennen laitteen huoltamista.

### Huoltokaavio



**VAROITUS:** Irrota akku, ennen kuin alat tehdä huoltotoimia.

Alla on luettelo laitteelle tehtävistä huoltotoimista. Katso lisäohjeita osiosta *Huolto sivulla 147*.

Huolto	Päivittäin	Viikoittain	Kuukausittain
Puhdista laitteen ulko-osat kuivalla liinalla. Älä käytä vettä.	X		
Tarkista, että käynnistys-/pysäytyspainike toimii kunnolla ja että se on ehjä.	X		
Varmista, että käyttöliipaisin ja sen varmistin toimivat asianmukaisesti turvallisuutta ajatellen.	X		
Varmista, että kaikki ohjaimet toimivat ja ovat ehjiä.	X		
Pidä kahvat kuivina, puhtaina ja öljyttöminä sekä puhtaana vaseliinista.	X		
Varmista, ettei terälaite ole vaurioitunut. Vaihda terälaite, jos se on vaurioitunut.	X		
Varmista, että terälaitteen suojus ei ole vaurioitunut. Vaihda terälaitteen suojus, jos se on vaurioitunut.	X		
Varmista, että kaikki ruuvit ja mutterit on kiristetty.	X		
Varmista, että akun vapautuspainikkeet toimivat ja lukitsevat akun laitteeseen.	X		
Tarkista, että laturi on ehjä ja toimii oikein.	X		
Varmista, ettei akku ole vaurioitunut.	X		
Varmista, että akku on ladattu.	X		
Varmista, että akkulaturi ei ole vaurioitunut.	X		
Tarkista kaikki kaapelit ja liittännät. Varmista, että ne ovat ehjiä ja puhtaita.		X	
Tarkista akun ja laitteen väliset kytkennät. Tarkista akun ja akkulaturin välinen kytkentä.			X

## Akun ja akkulaturin tarkistaminen

1. Tarkista akku vaurioiden, kuten halkeamien, varalta.
2. Tarkista akkulaturi vaurioiden, kuten halkeamien, varalta.
3. Varmista, että akkulaturin johto ei ole vaurioitunut ja ettei siinä ole murtumia.

## Laitteen, akun ja akkulaturin puhdistaminen

1. Puhdista laite käytön jälkeen kuivalla liinalla.
2. Puhdista akku ja akkulaturi kuivalla liinalla. Pidä akku ohjauskiskot puhtaina.
3. Varmista, että akun ja akkulaturin liittimet ovat puhtaat ennen kuin akku asetetaan akkulaturiin tai laitteeseen.

## Siimapään tarkistaminen ja vaihtaminen

1. Tarkista, onko siimapäässä vaurioita tai halkeamia.
2. Vedä siimakokoonpano irti.

3. Irrota siimapää. (Kuva 49)
4. Aseta siimapää takaisin paikalleen.
5. Asenna siimapää. Katso kohta *Siimapään asennus sivulla 144.*

## Vianmääritys

### Näppäimistö

Merkivalot	Mahdolliset viat	Mahdolliset ratkaisut
Vian merkkivalo vilkkuu.	Ylikuormitus	Terälaite ei pääse liikkumaan vapaasti. Vapauta terälaite.
	Lämpötilavaihtelu	Anna laitteen jäähtyä.
Laite ei käynnisty.	Paina käyttöliipaisinta ja käynnistinpainiketta samanaikaisesti.	Vapauta käyttöliipaisin ja pysäytä laite.
Vian merkkivalo syttyy punaisena.	Laite tarvitsee huoltoa.	Ota yhteyttä huoltoliikkeeseen.

### Akku

LED-näyttö	Mahdolliset viat	Mahdolliset toimenpiteet
Vihreä merkkivalo vilkkuu	Matala akun jännite.	Lataa akku.
Vian merkkivalo vilkkuu.	Lämpötilavaihtelu.	Käytä akkua -10–40 °C:n lämpötilassa.
	Liian korkea jännite.	Varmista, että verkkojännite vastaa laitteeseen kiinnitetystä arvokilvessä ilmoitettua jännitettä. Irrota akku akkulaturista.
Vian merkkivalo palaa.	Akkukennoston väli liian suuri (1 V).	Ota yhteyttä huoltoliikkeeseen.

### Akkulaturi

Ongelma	Mahdolliset viat	Mahdollinen ratkaisu
Latauksen merkkivalo palaa punaisena.	Pysyvä akkulaturin virhe.	Ota yhteyttä jälleenmyyjään.
Latauksen merkkivalo vilkkuu vihreänä.	Lämpötilavaihtelu, akku on liian kylmä tai kuuma käytettäväksi tai ladattavaksi.	Anna akun jäähtyä tai lämmetä. Kun akun lämpötila on oikea, sitä voi käyttää tai sen voi ladata. Käytä akkulaturia 5–40 °C:n lämpötilassa.
Latauksen merkkivalo vilkkuu punaisena.	Viallinen akku.	Ota yhteyttä jälleenmyyjään.

## Kuljettaminen, säilyttäminen ja hävittäminen

### Kuljetus ja säilytys

- Mukana tulleet litiumioniakut ovat vaarallisten aineiden lainsäädännön määräysten mukaisia.
- Pakkausta ja merkintöjä koskevia erityismääräyksiä on noudatettava, myös kolmansien osapuolten tai huolitsijoiden järjestämässä tavarakuljetuksessa.
- Keskustele erityiskoulutuksen saaneen vaarallisten aineiden asiantuntijan kanssa ennen tuotteen lähettämistä. Noudata kaikkia kansallisia määräyksiä.
- Teippaa paljaat liittimet asettaessasi akun pakettiin. Aseta akku pakettiin tiukasti niin, ettei se pääse liikkumaan.
- Irrota akku varastoinnin tai kuljetuksen ajaksi.
- Aseta akku ja akkulaturi paikkaan, johon kosteus tai pakkanen eivät pääse.
- Älä säilytä akkua paikassa, jossa on staattista sähköä. Älä säilytä akkua metallilaatikossa.
- Säilytä akkua varastossa, jossa lämpötila on 5–25°C ja jossa se ei ole suorassa auringonvalossa.
- Säilytä akkulaturia varastossa, jossa lämpötila on 5–45°C ja jossa se ei ole suorassa auringonvalossa.
- Käytä akkulaturia ainoastaan 5–40 °C:n lämpötiloissa.

- Lataa akku ennen pitkäaikaista säilytystä niin, että sen varaustaso on 30–50 %.
- Säilytä akkua kuivassa ja suljetussa tilassa.
- Pidä akku erillään akkulaturista varastoinnin aikana. Älä anna lasten tai asiaankuulumattomien henkilöiden koskea laitteeseen. Säilytä laitetta lukullisessa tilassa.
- Puhdista laite ja tee täysi huolto ennen pitkäaikaista säilytystä.
- Käytä kuljetussuojusta kuljetuksen ja varastoinnin aikana vaurioiden ja vammojen välttämiseksi.
- Kiinnitä laite hyvin kuljetuksen ajaksi.

### Akun, akkulaturin ja laitteen hävittäminen

Laitteessa tai sen pakkauksessa olevat symbolit osoittavat, ettei laitetta saa hävittää kotitalousjätteen mukana. Vie se asianmukaiseen sähkö- ja elektroniikkalaitteiden keräyspisteeseen. Tämä auttaa estämään sekä ympäristö- että henkilövahinkoja.

Lisätietoja laitteen kierrätyksestä saat paikallisilta viranomaisilta, kotitalousjätepalvelulta tai jälleenmyyjältä.

## Tekniset tiedot

### Tekniset tiedot

	215iL
<b>Moottori</b>	
Moottorityyppi	BLDC
Käyttöakselin pyörimisnopeus, r/min	6 800
Leikkuuleveys, mm	310
<b>Paino</b>	
Paino ilman akkua, kg	2,9
<b>Melupäästöt</b> <sup>25</sup>	
Äänentehotaso, mitattu dB(A)	90,5
Äänentehotaso, taattu L <sub>WA</sub> dB(A)	92

<sup>25</sup> Melupäästö ympäristöön äänitehona (L<sub>WA</sub>) EY-direktiivin 2000/14/EY mukaisesti mitattuna. Taatun ja mitatun äänentehon erona on se, että taattu äänenteho sisältää myös mitatun tuloksen hajonnan ja vaihtelun saman mallin eri laitteiden välillä direktiivin 2000/14/EY mukaisesti.

	<b>215L</b>
<b>Äänitasot</b> <sup>26</sup>	
Ekvivalentti äänenpainetaso käyttäjän korvan tasalla mitattuna EN ISO 50636-2-91 -standardin mukaan, dB(A)	74,9
<b>Tärinätasot</b> <sup>27</sup>	
Kahvojen tärinätasot standardin EN50636-2-91 mukaan mitattuna, m/s <sup>2</sup>	4,5/2,7
Varusteena siimapää (alkuperäinen), edessä/takana.	

### Laitteeseen hyväksytyt akut

Akku	BLI10		BLI20		40-B70	40-B140
Tyyppi	Litiumioni		Litiumioni		Litiumioni	Litiumioni
Akun kapasiteetti, Ah	Katso akun tyyppikilpi		Katso akun tyyppikilpi		Katso akun tyyppikilpi	Katso akun tyyppikilpi
Nimellisjännite, V	36	36,5	36	36,5	36	36
Paino, lb/kg	0,7	0,7	1,2	1,2	0,8	1,25

### Laitteeseen hyväksytyt akkulaturit

Akkulaturi	QC80	40-C80
Verkkovirta, V	100–240	100–240
Taajuus, Hz	50–60	50–60
Teho, W	100	72
Lähtöjännite, V, tasavirta ampeeria, A	36/2	43/1,6

---

## Lisävarusteet

---

### Hyväksytyt lisävarusteet

Hyväksytyt lisävarusteet	Tyyppi	Teräslaitteen suojus, Tuotenro
Siimapää	R25B (Ø 2 mm:n siima)	529 96 69-01

<sup>26</sup> Ilmoitetuilla tiedoilla vastaavan laitteen äänenpainetason tyypillinen tilastollinen hajonta (vakiopoikkeama) on 2,5 dB (A).

<sup>27</sup> Ilmoitettujen tärinätasotietojen tyypillinen tilastollinen hajonta (vakiopoikkeama) on 1,5 m/s<sup>2</sup>.

# Vaatimustenmukaisuusvakuutus

## EU-vaatimustenmukaisuusvakuutus

Husqvarna AB, SE-561 82 Huskvarna, Ruotsi, puh. +46  
36 146500, vakuuttaa täten, että tuote:

<b>Kuvaus</b>	Akkukäyttöinen ruohotrimmeri
<b>Tuotemerkki</b>	Husqvarna
<b>Tyyppi/malli</b>	215iL
<b>Tunniste</b>	Sarjanumerot vuodesta 2024 alkaen

vastaavat täysin seuraavien EU:n direktiivien ja  
asetusten vaatimuksia:

Direktiivi/Asetus	Kuvaus
2006/42/EC	konedirektiivi
2014/30/EU	EMC-direktiivi
2000/14/EC	Melupäästädirektiivi
2011/65/EU	Direktiivi tiettyjen vaarallisten aineiden käytön rajoittamisesta sähkö- ja elektroniikkalaitteissa

ja että asiassa sovelletaan seuraavia standardeja  
ja/tai teknisiä tietoja: EN 60335-1:2012/A15:2021,  
EN 50636-2-91:2014, EN IEC 63000:2018, EN IEC  
55014-1:2021; EN IEC 55014-2:2021.

Ilmoitettu tarkastuslaitos: 0197 TÜV Rheinland  
LGA Products GmbH, Tillystraße 2, 90431  
Nürnberg, Germany vakuuttaa yhdenmukaisuuden  
neuvoston direktiivin 2000/14/EY mukaisesti,  
vaatimustenmukaisuuden arviointimenettely: liite VI.

Katso lisätietoja melupäästöistä osiosta *Tekniset tiedot*  
*sivulla 149.*

Huskvarna, 2024-02-01



Claes Losdal, tuotekehityspäällikkö, Husqvarna AB  
Teknisestä dokumentaatiosta vastaava edustaja



## Sommaire

Introduction.....	152	Transport, entreposage et mise au rebut.....	165
Sécurité.....	153	Caractéristiques techniques.....	165
Montage.....	160	Accessoires.....	167
Utilisation.....	160	Déclaration de conformité.....	168
Entretien.....	162	Annexe .....	454
Dépannage.....	164		

---

# Introduction

---

## Description du produit

Le Husqvarna 215iL est un coupe-bordures sur batterie équipé d'un moteur électrique.

Nous travaillons en permanence à l'amélioration de votre sécurité et de votre efficacité pendant l'utilisation. Pour davantage d'informations, contactez votre atelier d'entretien.

## Utilisation prévue

Le produit est utilisé avec des fils de coupe non métalliques, des ficelles non métalliques ou

des éléments de coupe flexibles non métalliques équivalents. N'utilisez pas ce produit pour d'autres tâches que la coupe de mauvaises herbes, d'herbe ou d'autres végétaux fins similaires.

---

**Remarque:** La législation nationale peut imposer des limites à l'utilisation du produit.

---

## Aperçu du produit

(Fig. 1)

1. Tête de désherbage
2. Protection de l'accessoire de coupe
3. Arbre
4. Réglage de l'arbre (téléscopique)
5. Poignée en anneau
6. Clavier
7. Témoin d'avertissement du clavier
8. Bouton marche/arrêt
9. Bouton SavE
10. Gâchette de puissance
11. Blocage de la gâchette de puissance
12. Témoin de mise sous tension et avertisseur
13. Connecteur
14. Chargeur de batterie 40-C80
15. Chargeur de batterie QC80
16. Cordon d'alimentation
17. Étrier de protection des plantes
18. Témoin d'avertissement de la batterie
19. État de la batterie
20. Indicateur de batterie
21. Boutons de libération de la batterie
22. Batterie
23. Outil multi-usage
24. Manuel d'utilisation

(Fig. 4) Utilisez des protections pour les yeux.

(Fig. 5) Ne les exposez pas à la pluie.

(Fig. 6) Émissions sonores respectant le label environnemental, conformément aux directives et réglementations de l'UE (y compris la législation de la Nouvelle-Galles du Sud) et du Royaume-Uni. Les données relatives aux émissions sonores figurent sur l'étiquette de la machine et dans le chapitre Caractéristiques techniques.

(Fig. 7) Ne laissez personne s'approcher du produit.

(Fig. 8) Débranchez la batterie avant l'entretien.

(Fig. 9) Le produit ou son emballage ne font pas partie des ordures ménagères. Déposez-le dans une station de recyclage pour équipements électriques et électroniques.

(Fig. 10) Ce produit est conforme aux directives CE en vigueur.

(Fig. 11) Ce produit est conforme aux directives en vigueur au Royaume-Uni.

(Fig. 12) Courant continu.

## Symboles concernant le produit

(Fig. 2) **AVERTISSEMENT** : ce produit peut être dangereux et causer des blessures graves, voire mortelles, à l'opérateur ou à d'autres personnes. Soyez prudent et utilisez le produit correctement.

(Fig. 3) Lisez attentivement le manuel d'utilisation et assurez-vous de bien comprendre les instructions avant utilisation.

yyyywwxxxx

La plaque signalétique ou l'impression au laser indiquent le numéro de série. La mention **yyyy** désigne l'année de production et la mention **ww**, la semaine de production.



## Symboles sur la batterie et/ou son chargeur

- (Fig. 16) Déposez ce produit dans une station de recyclage pour équipements électriques et électroniques. (Concerne seulement l'Europe)
- (Fig. 13) Transformateur à sécurité intégrée.
- (Fig. 14) Utilisez et stockez le chargeur de batterie en intérieur uniquement.
- (Fig. 15) Double isolation.

## Endommagement du produit

Nous ne sommes pas responsables des dommages subis par le produit si :

- le produit n'est pas correctement réparé ;
- le produit est réparé avec des pièces qui ne proviennent pas du fabricant ou qui ne sont pas homologuées par le fabricant ;
- le produit est équipé d'un accessoire qui ne provient pas du fabricant ou qui n'est pas homologué par le fabricant ;
- le produit n'est pas réparé par un centre d'entretien agréé ou par une autorité homologuée.

---

## Sécurité

---

### Définitions de sécurité

Des avertissements, des recommandations et des remarques sont utilisés pour souligner des parties spécialement importantes du manuel.



**AVERTISSEMENT:** Symbole utilisé en cas de risque de blessures ou de mort pour l'opérateur ou les personnes à proximité si les instructions du manuel ne sont pas respectées.



**REMARQUE:** Symbole utilisé en cas de risque de dommages pour le produit, d'autres matériaux ou les environs si les instructions du manuel ne sont pas respectées.

**Remarque:** Symbole utilisé pour donner des informations supplémentaires pour une situation donnée.

### Consignes générales de sécurité relatives à l'outil à moteur



**AVERTISSEMENT:** Lire toutes les consignes et instructions de sécurité. Le non-respect des consignes et mises en garde peut être à l'origine d'un choc électrique, d'un incendie et/ou de blessures graves.

**Remarque:** Conservez toutes ces consignes et instructions pour toute consultation ultérieure. Le terme « outil électrique » utilisé dans les avertissements fait

référence à l'outil branché sur secteur (fil) ou à l'outil alimenté par batterie (sans fil).

### Contrôles avant la mise en marche

- Retirez toujours la batterie afin d'éviter tout démarrage accidentel du produit. Retirez toujours la batterie avant toute opération d'entretien sur le produit.
- En cas d'impact, vérifiez que le produit ne présente ni signe d'usure ni dommage et procédez aux réparations éventuellement nécessaires avant de l'utiliser à nouveau.
- Inspecter la zone de travail. Retirez tous les objets tels que les pierres, les morceaux de verre, les clous, les fils de fer, les bouts de ficelle, etc. pouvant être projetés ou risquant de s'enrouler autour de la lame ou de sa protection.
- Vérifiez que le moteur ne présente ni fissures ni poussière. Retirez l'herbe et les feuilles coincées dans le moteur à l'aide d'une brosse. Au besoin, utilisez des gants.
- Vérifiez que la tête de désherbage est parfaitement attachée au coupe-bordures.
- Vérifiez que le produit est en parfait état d'utilisation. Contrôler que tous les écrous et boulons sont correctement serrés.
- Contrôlez la tête de désherbage et le carter de protection afin de détecter d'éventuels dommages ou fissures. Remplacez la tête de désherbage ou le carter de protection si l'un ou l'autre a subi des dommages ou présente des fissures. Utilisez toujours la protection recommandée prévue pour l'équipement de coupe utilisé. Voir le chapitre Caractéristiques techniques.
- L'opérateur du produit doit s'assurer qu'aucune personne ou aucun animal ne s'approche à moins de 15 mètres pendant le travail. Lorsque plusieurs opérateurs travaillent dans une même zone, il

convient d'observer une distance de sécurité d'au moins 15 mètres.

- Effectuez une inspection générale du produit avant de l'utiliser. Consultez le programme d'entretien.
- La législation nationale ou locale peut réglementer l'utilisation. Respectez la législation en vigueur.

### Sécurité dans l'espace de travail

- **Maintenez un espace de travail propre et bien éclairé.** Les espaces encombrés ou sombres exposent à des accidents.
- **N'utilisez pas de machines à usiner dans des atmosphères explosives, en présence de liquides, de gaz ou de poussières inflammables par exemple.** Les machines à usiner provoquent des étincelles qui peuvent enflammer la poussière ou les vapeurs.
- **Tenez les enfants et les spectateurs à distance lorsque la machine à usiner est en marche.** Un moment d'inattention peut vous faire perdre le contrôle.

### Sécurité électrique

- **Les fiches des machines à usiner doivent être adaptées à la prise. N'apportez jamais de modifications à la fiche. Ne pas utiliser de fiches d'adaptation avec des machines mises à la terre.** Des fiches non modifiées et des prises compatibles réduisent le risque de choc électrique.
- **Évitez tout contact physique avec les surfaces mises à la terre telles que les tuyaux, les radiateurs, les cuisinières et les réfrigérateurs.** Le risque d'électrocution est plus important si le corps est relié à la terre.
- **Ne pas exposer les outils électriques à la pluie ou à l'humidité.** L'infiltration d'eau dans une machine à usiner augmente le risque d'électrocution.
- **Ne malmenez pas le cordon. N'utilisez jamais le cordon pour porter, tirer ou débrancher la machine. Maintenez le cordon d'alimentation à l'écart de la chaleur, de bords tranchants ou de pièces en mouvement.** Les fils endommagés ou emmêlés augmentent le risque de choc électrique.
- **Lorsque vous utilisez un outil électrique à l'extérieur, utilisez une rallonge électrique adaptée à l'usage extérieur.** L'utilisation d'un cordon d'alimentation pour usage extérieur réduit le risque d'électrocution.
- **Si vous n'avez d'autre choix que d'utiliser un outil électrique dans un endroit humide, utilisez une alimentation protégée par un dispositif de courant résiduel (RCD).** L'utilisation d'un RCD réduit le risque de choc électrique.

### Sécurité du personnel

- **Restez attentif, regardez ce que vous faites et ayez recours à votre bon sens lorsque vous utilisez un outil électrique. N'utilisez pas d'outil électrique si vous êtes fatigué ou si vous êtes sous l'emprise de drogues, d'alcool ou de médicaments.** Un moment d'inattention pendant l'utilisation des machines à

usiner peut entraîner des blessures corporelles graves.

- **Utilisez un équipement de protection personnelle. Travaillez toujours avec des lunettes de protection.** Les équipements de protection tels que le masque anti-poussière, les chaussures de sécurité antidérapantes, le casque ou le protège-oreilles utilisés dans des conditions appropriées réduisent les blessures corporelles.
- **Évitez tout démarrage intempestif. Vérifiez que l'interrupteur est en position d'arrêt avant de brancher l'outil sur l'alimentation et/ou la batterie, de le ramasser ou de le transporter.** Le fait de garder le doigt sur l'interrupteur pendant le transport des outils ou le branchement des machines alors que l'interrupteur est en position ON expose à des accidents.
- **Retirez toute clé ou clavette de calage avant de mettre la machine à usiner sous tension.** Une clé ou une clavette reliée à une pièce mobile de la machine à usiner peut entraîner des blessures corporelles.
- **Ne vous éloignez pas trop. Restez toujours en équilibre et sur vos appuis.** Cela favorise le contrôle de la machine à usiner dans les situations inattendues.
- **Habilitez-vous correctement. Ne portez jamais de vêtements amples ou de bijoux. Éloignez vos cheveux et vos vêtements des pièces mobiles.** Les vêtements amples, les bijoux et les cheveux longs peuvent rester coincés dans les pièces mobiles.
- **Si des dispositifs sont fournis pour raccorder des systèmes de collecte et d'extraction de la poussière, vérifiez qu'ils sont correctement branchés et utilisés.** L'utilisation de systèmes de collecte de poussière peut réduire les risques associés à la poussière.
- **La connaissance des outils, acquise par l'usage fréquent de ces derniers, ne doit pas vous dispenser d'être prudent et d'appliquer les principes de sécurité.** Une action inconsidérée peut provoquer de graves blessures en une fraction de seconde.
- Les émissions de vibrations durant l'utilisation de l'appareil peuvent différer de la valeur totale déclarée en fonction de la manière dont l'outil est utilisé. En vue de se protéger, les opérateurs devraient établir des mesures de sécurité basées sur une estimation de leur exposition dans les conditions d'utilisation réelles (en tenant compte de toutes les phases du cycle opératoire, comme, par exemple, lorsque l'outil est éteint et lorsqu'il fonctionne en mode ralenti ou au gaz).

### Utilisation et entretien de la machine à usiner

- **Ne forcez pas sur la machine à usiner. Utilisez la machine à usiner qui convient à l'application.** La machine qui convient réalisera mieux son travail et de façon plus sûre, à la vitesse pour laquelle elle a été conçue.
- **N'utilisez pas la machine à usiner si l'interrupteur ne permet pas la mise sous tension ou l'arrêt.** Toute

machine à usiner impossible à commander avec l'interrupteur est dangereuse et doit être réparée.

- **Débranchez la fiche de l'alimentation et/ou retirez la batterie, si celle-ci est amovible, avant de procéder aux réglages, de changer les accessoires ou de stocker un outil électrique.** Ces mesures de sécurité préventive réduisent le risque de mise sous tension accidentelle de la machine à usiner.
- **Rangez les machines à usiner hors de la portée des enfants et ne pas laisser des personnes qui ne connaissent pas la machine ou ces consignes utiliser l'appareil.** Les machines à usiner sont dangereuses si elles sont entre les mains d'utilisateurs non formés.
- **Entretenez les accessoires et outils électriques. Vérifier le mauvais alignement ou la fixation des pièces mobiles, l'éventuelle rupture des pièces ou toute autre condition susceptible d'altérer le fonctionnement de la machine. Si elle est endommagée, la machine à usiner doit être réparée avant toute réutilisation.** De nombreux accidents sont dus à des machines mal entretenues.
- **Maintenez les outils tranchants aiguisés et propres.** Des outils tranchants correctement entretenus avec des bords aiguisés sont moins susceptibles de se coincer et sont plus faciles à contrôler.
- **Utiliser la machine à usiner, les accessoires, les grains, etc. en suivant ces consignes et en tenant compte des conditions de travail et de la tâche à réaliser.** Il est dangereux d'utiliser l'outil électrique pour tout autre usage que celui prévu.
- **Les poignées et les surfaces de maintien doivent toujours être propres, sèches et sans traces d'huile ni de graisse.** Les poignées et les surfaces de maintien glissantes ne permettent pas une manipulation et un contrôle sûrs de l'outil dans des situations inattendues.

### Utilisation et entretien d'un outil à batterie

- **Ne rechargez la machine qu'avec le chargeur indiqué par le fabricant.** Un chargeur convenant à un type de bloc de batteries particulier peut entraîner un risque d'incendie s'il est utilisé avec un autre bloc.
- **Utilisez les produits uniquement avec les batteries spécifiquement préconisées.** L'utilisation d'une autre batterie peut entraîner un risque de blessure et d'incendie.
- **Lorsque la batterie n'est pas utilisée, maintenez-la à distance d'objets métalliques, tels que des trombones, pièces de monnaie, clés, clous, vis, ou autres petits objets en métal risquant de relier une borne à l'autre.** Court-circuiter les bornes de batterie entraîne un risque de brûlures et d'incendie.
- **En cas d'utilisation abusive, du liquide peut s'échapper de la batterie ; évitez tout contact. En cas de contact accidentel, rincez à l'eau. En cas de contact avec les yeux, consultez un médecin.** Le liquide échappé de la batterie peut causer irritations et brûlures.

- **N'utilisez pas une batterie ou un outil endommagé ou altéré.** Les batteries endommagées ou altérées peuvent présenter un comportement imprévisible pouvant provoquer un incendie, une explosion ou un risque de blessure.
- **N'exposez pas une batterie ou un outil au feu ou à des températures trop élevées.** L'exposition au feu ou à des températures supérieures à 130 °C peut provoquer une explosion.
- **Respectez toutes les instructions de charge et ne chargez pas la batterie ou l'outil en dehors de la plage de température spécifiée dans les instructions.** Ne pas charger la batterie correctement ou la charger à des températures comprises en dehors de la plage spécifiée peut endommager la batterie et augmenter le risque d'incendie.

### Entretien

- **Confiez l'entretien de votre outil électrique à un mécanicien qualifié qui utilisera uniquement des pièces de rechange identiques.** Cela permet de garantir la sécurité de la machine.
- **Ne jamais entretenir des batteries endommagées.** L'entretien des batteries doit être effectué uniquement par le fabricant ou des fournisseurs de services agréés.

### Utilisez toujours votre bon sens

Il est impossible de prévoir toutes les situations que vous pouvez rencontrer. Soyez toujours prudent et utilisez votre bon sens. Évitez les situations que vous n'êtes pas sûr de maîtriser. Si, après avoir lu ces instructions, vous n'êtes toujours pas sûr de la procédure à suivre, demandez conseil à un expert avant de poursuivre.



**AVERTISSEMENT:** Ne laissez jamais des enfants utiliser la machine ou s'en approcher. Dans la mesure où la machine est facile à démarrer, il est possible que des enfants arrivent à la mettre en route lorsque vous les quittez des yeux. Ceci peut entraîner un risque de graves blessures corporelles. Retirez donc la batterie lorsque vous n'êtes pas en mesure de surveiller la machine de près.

### Instructions générales de sécurité



**AVERTISSEMENT:** lisez les instructions qui suivent avant d'utiliser le produit.

- Retirez la batterie afin d'éviter tout démarrage accidentel du produit.
- Ce produit est un outil dangereux si vous ne faites pas attention ou si vous l'utilisez de manière incorrecte. Ce produit peut causer des blessures

graves, voire mortelles, au conducteur ou à d'autres personnes.

- N'utilisez pas le produit si ses caractéristiques initiales ont été changées. Ne remplacez pas une pièce du produit sans l'approbation du fabricant. Utilisez uniquement les pièces qui sont approuvées par le fabricant. Un entretien inapproprié peut causer des blessures graves, voire mortelles.
- Effectuez un contrôle du produit avant toute utilisation. Voir, *Contrôles avant la mise en marche à la page 153 et Avant d'utiliser le produit à la page 160*. N'utilisez pas un produit endommagé ou qui ne fonctionne pas correctement. Appliquez les instructions d'entretien ainsi que les contrôles de sécurité indiqués dans ce manuel.
- Il convient de surveiller les enfants et de les empêcher de jouer avec le produit. Ne laissez jamais des enfants ou d'autres personnes ne possédant pas la formation requise utiliser ou entretenir le produit et/ou sa batterie. L'âge minimum de l'utilisateur peut être régi par les législations locales.
- Conservez le produit dans un endroit verrouillé afin que des enfants ou personnes qui ne sont pas autorisées à l'utiliser ne puissent pas y avoir accès.
- Rangez le produit hors de portée des enfants.
- Ne modifiez jamais le produit sans l'autorisation du fabricant. Utilisez uniquement des accessoires d'origine. Des modifications non autorisées et/ou l'emploi d'accessoires non homologués peuvent provoquer des accidents graves, voire mortels, à l'utilisateur et d'autres personnes.

**Remarque:** Les législations nationales ou locales peuvent réglementer l'utilisation de l'appareil. Respectez la législation en vigueur.

## Instructions de sécurité pour le fonctionnement



**AVERTISSEMENT:** Lisez les instructions qui suivent avant d'utiliser le produit.

- **N'utilisez pas la machine par mauvais temps, en particulier lorsqu'il y a un risque de foudre.** Cela permet de réduire le risque d'être frappé par la foudre.
- **Vérifiez soigneusement la zone où la machine doit être utilisée, afin de repérer la faune éventuelle.** En effet, elle peut être blessée par la machine pendant son fonctionnement.
- **Inspectez attentivement la zone de travail avant d'utiliser la machine. Retirez les éventuels bouts de bois, pierres, fils, os et autres corps étrangers.** Les objets projetés peuvent entraîner des blessures.
- **Avant d'utiliser la machine, effectuez toujours une inspection visuelle pour vérifier que la lame et l'ensemble de coupe ne sont pas endommagés.**

L'utilisation de pièces endommagées augmente le risque de blessure.

- **Maintenez les protections en place. Les protections doivent être en bon état de marche et correctement montées.** Une protection desserrée, endommagée ou ne fonctionnant pas correctement peut entraîner des blessures.
- **Veillez à ce qu'aucun débris ne se loge dans les arrivées d'air de refroidissement.** L'obstruction des arrivées d'air et la présence de débris peuvent entraîner une surchauffe ou un risque d'incendie.
- **Portez toujours des protections pour les yeux et un casque anti-bruit.** Le recours à un équipement de protection adéquat permet de réduire les risques de blessures.
- **Lors de l'utilisation de la machine, portez toujours des chaussures de protection et antidérapantes. N'utilisez pas la machine si vous êtes pieds nus ou si vous portez des sandales.** Cela réduit le risque de blessure aux pieds en cas de contact avec la lame en mouvement.
- **Portez toujours des vêtements couvrant les jambes lorsque vous utilisez la machine, comme un pantalon.** Tout contact avec la lame ou le fil de coupe en mouvement peut provoquer des blessures.
- **Maintenez les personnes présentes à l'écart pendant l'utilisation de la machine.** Les projections de débris peuvent causer de graves blessures.
- **N'utilisez pas la machine au-dessus de la taille.** Cela permet de réduire les contacts accidentels avec le dispositif de coupe et de mieux contrôler la machine en cas de situations inattendues.
- **Soyez prudent lorsque vous utilisez la machine sur de l'herbe humide. Marchez, ne courez jamais.** Vous risquez de glisser et de tomber, ce qui peut entraîner des blessures.
- **Évitez d'utiliser la machine sur des pentes trop raides.** Vous limitez ainsi le risque de perte de contrôle, de glissement et de chute, sources de blessures éventuelles.
- **Lorsque vous travaillez sur une pente, veillez toujours à garder l'équilibre, en tondant l'herbe latéralement et non verticalement. Soyez prudent lorsque vous changez de direction.** Vous limitez ainsi le risque de perte de contrôle, de glissement et de chute, sources de blessures éventuelles.
- **Maintenez tous les câbles et cordons d'alimentation à distance de la zone de coupe.** Les câbles et cordons d'alimentation peuvent être masqués par des haies ou des buissons et être coupés ou endommagés accidentellement par la lame ou le fil.
- **Maintenez toutes les parties de votre corps à distance de la lame ou du fil de coupe du coupe-bordures. Ne retirez pas de matériau de la machine tant qu'elle n'a pas été débranchée de la source d'alimentation.** Les mouvements de la lame ou du fil du coupe-bordures peuvent entraîner des blessures graves.
- **Éteignez la machine si vous voulez la transporter, et éloignez-la de votre corps.** Une manipulation

correcte de la machine réduit le risque de contact accidentel avec la lame ou le fil de coupe en mouvement du coupe-bordures.

- **Utilisez uniquement une tête de coupe et un fil ou une lame de coupe de rechange spécifiés par le fabricant. Ne remplacez pas les lames ou les fils de coupe du coupe-bordures par des câbles ou lames métalliques.** Des pièces de rechange incorrectes peuvent entraîner une perte de contrôle, une rupture et des blessures.

## Équipement de protection individuel



**AVERTISSEMENT:** Lisez les instructions qui suivent avant d'utiliser le produit.

- Portez toujours un équipement de protection individuel homologué lorsque vous utilisez le produit. L'équipement de protection individuel ne protège pas complètement des blessures, mais il diminue la gravité des blessures en cas d'accident. Faites appel à votre revendeur pour vous aider à sélectionner l'équipement adéquat.
- Utilisez des protège-oreilles homologués.

(Fig. 17)

- Utilisez des protections pour les yeux homologuées. L'usage d'une visière doit toujours s'accompagner du port de lunettes de protection homologuées. Les lunettes de protection doivent être conformes aux normes ANSI Z87.1 (États-Unis) ou EN 166 (pays de l'UE).

(Fig. 18)

- Portez des gants de protection en cas de besoin, par exemple lorsque vous fixez, examinez ou nettoyez l'équipement de coupe.

(Fig. 19)

- Portez des bottes de protection avec coques de protection en acier et des semelles antidérapantes.

(Fig. 20)

- Portez des vêtements fabriqués dans un matériau résistant. Portez toujours des pantalons longs, épais et des manches longues. Ne portez pas de vêtements amples qui risqueraient de se prendre dans les brindilles et les branches. Ne portez pas de bijoux, de pantalon court ou de sandales. Ne travaillez pas pieds nus. Attachez vos cheveux de façon sécurisée au-dessus de vos épaules.
- Conservez l'équipement de premiers secours à proximité.

(Fig. 21)

## Dispositifs de sécurité sur le produit



**AVERTISSEMENT:** lisez les instructions qui suivent avant d'utiliser le produit.

Cette section présente les fonctions de sécurité, les instructions d'utilisation, de contrôle et d'entretien du produit afin de garantir son bon fonctionnement. Reportez-vous aux instructions ci-dessous *Introduction à la page 152* pour trouver l'emplacement de ces pièces sur votre produit.

La durée de vie du produit risque d'être écourtée et le risque d'accidents accru si l'entretien du produit n'est pas effectué correctement et si les mesures d'entretien et/ou de réparation ne sont pas effectuées de manière professionnelle. Pour plus d'informations, contactez l'atelier de réparation du revendeur le plus proche.



**AVERTISSEMENT:** N'utilisez jamais un produit dont les équipements de sécurité sont endommagés. Contrôlez et entretenez les équipements de sécurité du produit conformément aux instructions données dans ce chapitre. Si les contrôles du produit ne donnent pas de résultat positif, contactez votre atelier spécialisé pour le faire réparer.



**REMARQUE:** L'entretien et la réparation de la machine exigent une formation spéciale. Ceci concerne particulièrement l'équipement de sécurité de la machine. Si les contrôles suivants ne donnent pas un résultat positif, adressez-vous à un atelier spécialisé. L'achat de l'un de nos produits offre à l'acheteur la garantie d'un service et de réparations qualifiés. Si le point de vente n'assure pas ce service, adressez-vous à l'atelier spécialisé le plus proche.

## Pour contrôler le clavier

1. Maintenez le bouton marche/arrêt (B) enfoncé. (Fig. 22)
  - a) Le produit est sous tension lorsque la LED (B) est allumée.
  - b) Le produit est hors tension lorsque la LED (B) est éteinte.
2. Consultez *Clavier à la page 164* si le témoin d'avertissement (C) s'allume ou clignote.

## Pour contrôler le blocage de la gâchette de puissance

Le blocage de la gâchette de puissance empêche toute activation accidentelle. Lorsque vous appuyez sur le blocage (A), il libère la gâchette de puissance (B). Lorsque vous relâchez la poignée, la gâchette de puissance et son blocage reviennent en position initiale. (Fig. 23)

1. Vérifiez que la gâchette de puissance est verrouillée quand son blocage est en position de repos. (Fig. 24)

- Appuyez sur la gâchette de puissance et assurez-vous qu'elle retourne à sa position initiale lorsque vous la relâchez. (Fig. 25)
- Assurez-vous que la gâchette de puissance et le blocage associé se déplacent librement et que le ressort de rappel fonctionne correctement. (Fig. 26)
- Faites démarrer le produit. Reportez-vous à la section *Pour démarrer le produit à la page 161*.
- Donner les pleins gaz.
- Relâchez la gâchette de puissance et assurez-vous que l'équipement de coupe s'arrête complètement.

#### Pour contrôler la protection de l'équipement de coupe



**AVERTISSEMENT:** N'utilisez pas un équipement de coupe sans une protection d'équipement de coupe correctement fixée et homologuée. Utilisez toujours la protection d'accessoire de coupe recommandée pour l'accessoire de coupe que vous utilisez, reportez-vous à la section *Caractéristiques techniques à la page 165*. L'installation d'une protection d'accessoire de coupe incorrecte ou défectueuse peut provoquer des blessures graves.

La protection de l'accessoire de coupe permet d'arrêter les objets projetés en direction de l'utilisateur. Elle permet également d'éviter de se blesser si vous touchez l'équipement de coupe.

- Arrêtez le moteur.
- Réalisez un contrôle visuel pour détecter les dommages, par exemple des fissures.
- Remplacez la protection de l'accessoire de coupe si celle-ci est endommagée.

#### Équipement de coupe

Sélectionnez un équipement de coupe adéquat et effectuez un entretien régulier de cet équipement pour :

- obtenir la meilleure performance de coupe possible ;
- augmenter la durée de vie de l'équipement de coupe.



**AVERTISSEMENT:** N'utilisez les accessoires de coupe qu'avec la protection recommandée ! Voir *Caractéristiques techniques à la page 165*. Reportez-vous aux instructions relatives à l'accessoire de coupe pour poser correctement le fil de coupe et choisir le diamètre de fil de coupe approprié.



**AVERTISSEMENT:** Un accessoire de coupe endommagé peut augmenter les risques d'accident.



**AVERTISSEMENT:** Coupez toujours le moteur avant toute intervention sur l'accessoire de coupe. Celui-ci continue de tourner après avoir relâché l'accélération. Assurez-vous que l'accessoire de coupe est complètement immobilisé et débranchez le chapeau de bougie avant de commencer l'intervention sur l'accessoire de coupe.

#### Tête de désherbage



**AVERTISSEMENT:** Veillez à ce que le fil de coupe soit toujours enroulé de manière serrée et régulière autour du tambour pour éviter des vibrations dangereuses.

(Fig. 27)

- Utilisez uniquement les têtes de désherbage et les fils de coupe recommandés.
- Utilisez uniquement les équipements de coupe recommandés.
- Les petites machines requièrent de petites têtes de désherbage, et inversement.
- La longueur du fil de coupe est importante. Un fil de coupe long demande un moteur plus puissant qu'un fil court, même en cas de diamètre égal de fil.
- Assurez-vous que le couteau monté sur le carter de protection est intact. Il découpe le fil de coupe à la bonne longueur.
- Faites tremper le fil de coupe dans l'eau pendant quelques jours avant utilisation afin d'augmenter sa durée de vie.

#### Consignes de sécurité relatives à l'utilisation de la batterie



**AVERTISSEMENT:** Lisez les instructions qui suivent avant d'utiliser le produit.

- Utilisez uniquement des batteries BLi et 40-B. Pour plus de détails, reportez-vous à la section *Caractéristiques techniques à la page 165*. La batterie est codée par logiciel.
- Utilisez des batteries BLi et 40-B rechargeables en tant qu'alimentation électrique pour les produits Husqvarna uniquement. Afin d'éviter toute blessure, n'utilisez pas la batterie comme source d'alimentation pour d'autres produits.
- Risque de choc électrique. Ne branchez pas les bornes de la batterie à des clés, des pièces de monnaie, des vis ou tout autre élément métallique. Cela peut provoquer un court-circuit de la batterie.
- N'utilisez pas de batteries non rechargeables.
- Ne placez pas d'objets dans les fentes d'aération de la batterie.

- Protégez la batterie des rayons directs du soleil, de la chaleur et des flammes nues. La batterie peut provoquer des brûlures et/ou des brûlures chimiques.
- Protégez la batterie de la pluie et de l'humidité.
- Protégez la batterie des micro-ondes et des hautes pressions.
- N'essayez pas de démonter ou de casser la batterie.
- En cas de fuite de la batterie, ne laissez pas le liquide entrer en contact avec votre peau ou vos yeux. Si vous avez touché le liquide, nettoyez la zone avec beaucoup d'eau claire et du savon, puis contactez un médecin. Si vous recevez du liquide dans les yeux, ne frottez pas mais rincez à l'eau pendant au moins 15 minutes et contactez un médecin.
- Utilisez la batterie à une température comprise entre -10 °C (14 °F) et 40 °C (114 °F).
- Ne nettoyez pas la batterie ou le chargeur de batterie avec de l'eau. Reportez-vous à la section *Pour nettoyer le produit, la batterie et le chargeur de batterie à la page 163.*
- N'utilisez pas de batterie défectueuse ou endommagée.
- Conservez les batteries en stock à distance des objets métalliques, tels que les clous, les vis ou les bijoux.
- Tenez la batterie hors de portée des enfants.

## Consignes de sécurité relatives au chargeur de batterie



**AVERTISSEMENT:** Lisez les instructions qui suivent avant d'utiliser le produit.

- Risque de choc électrique ou de court-circuit si les instructions de sécurité ne sont pas respectées.
- n'utilisez pas d'autres chargeurs de batterie que celui fourni pour votre produit. Utilisez uniquement des chargeurs QC80 et 40-C80 pour charger des batteries de rechange BLi et 40-B.
- N'essayez pas de démonter le chargeur de batterie.
- N'utilisez pas de chargeur de batterie défectueux ou endommagé.
- Ne soulevez pas le chargeur de batterie par le cordon d'alimentation. Pour débrancher le chargeur de batterie d'une prise de courant murale, tirez sur la fiche. Ne tirez pas le cordon d'alimentation.
- Conservez tous les câbles et toutes les rallonges loin de l'eau, de l'huile et des bords tranchants. Veillez à ce que le câble ne soit pas coincé dans des objets tels que des portes, des clôtures ou tout autre équipement similaire.
- N'utilisez pas le chargeur de batterie à proximité de matériaux inflammables ou de matériaux pouvant

provoquer la formation de corrosion. Assurez-vous que le chargeur de batterie n'est pas couvert. En cas de dégagement de fumée ou de début d'incendie, débranchez aussitôt la fiche reliée au chargeur de batterie.

- Rechargez la batterie uniquement en intérieur, dans un endroit bien aéré et à l'abri de la lumière. Ne chargez pas la batterie à l'extérieur. Ne rechargez pas la batterie dans des conditions humides.
- Utilisez le chargeur de batterie à une température comprise entre 5 °C (41 °F) et 40 °C (104 °F) uniquement. Utilisez le chargeur dans un environnement bien ventilé, sec et exempt de poussière.
- Ne placez pas d'objets dans les fentes de refroidissement du chargeur de batterie.
- Ne raccordez pas les bornes du chargeur de batterie à des objets métalliques car cela peut court-circuiter le chargeur de batterie.
- Utilisez des prises de courant murales homologuées et non endommagées. Assurez-vous que le câble du chargeur de batterie n'est pas endommagé. Si des câbles de rallonge sont utilisés, assurez-vous que ceux-ci ne sont pas endommagés.
- Ne placez aucune batterie non rechargeable dans le chargeur de batterie.

## Consignes de sécurité pour l'entretien



**AVERTISSEMENT:** Lisez les instructions qui suivent avant d'effectuer l'entretien du produit.

- Retirez la batterie avant tout entretien, contrôle ou assemblage du produit.
- L'utilisateur ne doit effectuer que les travaux de maintenance et d'entretien décrits dans ce manuel d'utilisation. Adressez-vous à votre revendeur pour toute opération de maintenance et d'entretien de plus grande ampleur.
- Ne nettoyez pas la batterie ou le chargeur de batterie avec de l'eau. L'utilisation de détergents agressifs peut endommager le plastique.
- Un défaut d'entretien réduit le cycle de vie du produit et augmente le risque d'accidents.
- Une formation spéciale est nécessaire pour tous les travaux d'entretien et de réparation, en particulier pour les dispositifs de sécurité sur le produit. Si tous les contrôles spécifiés dans ce manuel d'utilisation ne sont pas validés après l'entretien, consultez votre revendeur. Nous garantissons la disponibilité d'un service de réparation et d'entretien professionnel pour votre produit.
- Utilisez uniquement les pièces de rechange d'origine.

---

## Montage

---

### Introduction



**AVERTISSEMENT:** Assurez-vous de lire et de comprendre le chapitre dédié à la sécurité avant de monter l'appareil.

### Pour fixer le carter de protection

1. Placez la protection du coupe-bordures sur le carter du moteur. (Fig. 28).
2. Faites glisser le boulon dans le carter du moteur et la protection du coupe-bordures. (Fig. 29)
3. Serrez le boulon.

### Pour remplacer la tête de désherbage

1. Faites tourner l'axe sortant jusqu'à ce que le trou du toc d'entraînement coïncide avec le trou correspondant du carter.
2. Placez la goupille de blocage (B) dans le trou afin de bloquer l'arbre.
3. Tournez la tête de désherbage dans le sens des aiguilles d'une montre. (Fig. 30)

### Montage de la poignée en anneau

1. Placez la vis dans la poignée en boucle. (Fig. 31)
2. Posez la poignée anneau entre les flèches situées sur l'arbre.
3. Serrez les vis.

4. Réglez la poignée dans la position correcte. Reportez-vous à la section *Réglage de la poignée en boucle et de l'arbre télescopique* à la page 161.

### Pour monter l'étrier de protection des plantes

1. Posez l'étrier de protection des plantes dans les trous figurant sur le carter du moteur. (Fig. 32)
2. Assurez-vous que l'étrier de protection des plantes peut se déplacer librement vers l'avant et vers l'arrière. (Fig. 33)

### Installation du chargeur de batterie 40-C80 sur un mur



**REMARQUE:** n'utilisez pas de tournevis électrique pour installer le chargeur de batterie sur le mur. Un tournevis électrique peut endommager le chargeur de batterie.

1. Installez le chargeur de batterie sur le mur à l'aide des 2 vis (B). Utilisez des chevilles murales (A) si nécessaire. (Fig. 34)
2. Installez les 2 capuchons de trou de vis (C).
3. Branchez le cordon d'alimentation du chargeur de batterie dans une prise de courant murale.

---

## Utilisation

---

### Introduction



**AVERTISSEMENT:** Assurez-vous de lire et de comprendre le chapitre dédié à la sécurité avant d'utiliser l'appareil.

### Avant d'utiliser le produit

- Examinez la zone de travail pour vous assurer que vous connaissez la nature du terrain. Examinez l'inclinaison du sol et vérifiez s'il y a des obstacles tels que des pierres, des branches et des fossés.
- Effectuez une inspection générale du produit.
- Effectuez les inspections de sécurité, de maintenance et d'entretien indiquées dans ce manuel.
- Vérifiez que le moteur est propre et exempt de fissures. Utilisez une brosse pour nettoyer le moteur de l'herbe et des feuilles. Utilisez des gants si nécessaire.

- Examinez la tête de désherbage et la protection de l'équipement de coupe pour vérifier l'absence de dommages ou fissures. Remplacez la tête de désherbage et la protection de l'équipement de coupe si elles ont été touchées ou si elles présentent des fissures.
- Assurez-vous que tous les écrous et les vis sont serrés.
- Assurez-vous que tous les capots, toutes les protections, les poignées et l'équipement de coupe sont correctement fixés et qu'ils ne sont pas endommagés avant de démarrer le produit.

### Batterie



**AVERTISSEMENT:** assurez-vous de lire et de comprendre le chapitre dédié à la sécurité avant d'utiliser la batterie. Assurez-vous également de lire et comprendre le manuel d'utilisation de la batterie et du chargeur de batterie.



Maintenez la batterie et le chargeur de batterie à des températures ambiantes correctes.

	Température ambiante
Fonctionnement de la batterie	5 °C-40 °C / 41 °F-104 °F
Charge de la batterie	5 °C-40 °C / 41 °F-104 °F

## État de la batterie

L'écran indique l'état de charge ainsi que tout problème éventuel lié à la batterie.

(Fig. 35)

Témoin LED	État de la batterie (état de charge)	
	BLi10, BLi20	40-B70, 40-B140
4 voyants LED sont allumés	N/A	La batterie est chargée à 76 % - 100 %.
3 voyants LED sont allumés	La batterie est chargée à 76 % - 100 %.	La batterie est chargée à 51 % - 75 %.
2 voyants LED sont allumés	La batterie est chargée à 51 % - 75 %.	La batterie est chargée à 26 % - 50 %.
1 voyant LED est allumé	La batterie est chargée à 26 % - 50 %.	La batterie est chargée à 6 % - 25 %.
1 voyant LED clignote	La batterie est chargée à 0 % - 25 %.	La batterie est chargée à 0 % - 5 %.

## Pour charger la batterie

chargez la batterie si vous l'utilisez pour la première fois. Une batterie neuve n'est chargée qu'à 30 %.



**REMARQUE:** branchez le chargeur de batterie sur une prise de courant à la tension et à la fréquence indiquées sur la plaque signalétique.

La batterie ne charge pas si la température de la batterie est supérieure à 50 °C/122 °F.

1. Branchez le cordon d'alimentation sur le chargeur de batterie.
2. Branchez le chargeur de batterie sur une prise de courant mise à la terre. La LED de charge clignote une fois. (Fig. 36)
3. Insérez la batterie dans le chargeur de batterie. La LED de charge s'allume. Chargez la batterie pendant 24 heures au maximum. (Fig. 37)
4. Appuyez sur le bouton d'indicateur de batterie. Si tous les témoins LED s'allument, la batterie est complètement chargée.
5. Tirez sur la prise électrique pour débrancher le chargeur de batterie de la prise de courant. Ne tirez pas le cordon d'alimentation.
6. Dégagez la batterie du chargeur de batterie.

## Pour fixer la batterie au produit



**AVERTISSEMENT:** Utilisez uniquement la batterie Husqvarna d'origine du produit.

1. Chargez complètement la batterie.
2. Poussez la batterie dans le support de batterie du produit. La batterie est verrouillée en position lorsqu'un « clic » est émis. (Fig. 38)



**REMARQUE:** Si la batterie ne bouge pas facilement dans son support, c'est qu'elle n'est pas installée correctement. Cela peut endommager le produit.

## Pour démarrer le produit

1. Appuyez sur le bouton marche/arrêt et maintenez-le enfoncé jusqu'à ce que la LED verte s'allume. (Fig. 39)
2. Appuyez sur le blocage de la gâchette de puissance et la gâchette de puissance. La lame se met à tourner.

## Réglage de la poignée en boucle et de l'arbre télescopique

1. Desserrez la poignée de verrouillage et mettez la poignée en boucle dans une position correcte. (Fig. 40)

2. Réglage de la poignée de verrouillage
3. Placez le mandrin sur l'arbre. (Fig. 41)
4. Définissez la longueur nécessaire sur l'arbre. Assurez-vous que le triangle de l'arbre est visible. (Fig. 42)
5. Positionnez la rondelle et serrez la vis.

**Remarque:** Ne fixez pas la poignée en boucle sur les autocollants d'avertissement de l'arbre.

## Pour utiliser la fonction SavE

Ce produit est équipé d'une fonction d'économie de la batterie, appelée SavE.

**Remarque:** La fonction SavE ne réduit pas la puissance de coupe du produit.

1. Appuyez sur le bouton SavE sur le clavier.
2. Assurez-vous que la LED verte s'allume.
3. Appuyez à nouveau sur le bouton SavE pour désactiver la fonction. La LED verte s'éteint. (Fig. 43)

## Fonction d'arrêt automatique

Le produit est équipé d'une fonction d'arrêt qui arrête le produit s'il n'est pas utilisé. La LED verte d'indication de démarrage/d'arrêt s'éteint et le produit s'arrête au bout de 180 secondes.

## Pour utiliser le produit

### Pour tondre l'herbe

1. Maintenez la tête de désherbage juste au-dessus du sol et inclinez-la. Ne poussez pas le fil de coupe dans l'herbe. (Fig. 44)
2. Réduisez la longueur du fil de coupe de 10-12 cm (4-4,75 po).
3. Diminuez la vitesse du moteur afin de limiter le risque d'endommager les plantes.
4. Baissez le régime à 80 % lorsque vous coupez l'herbe à proximité d'objets. (Fig. 45)

### Pour nettoyer la zone de l'herbe

1. Maintenez la tête de désherbage au-dessus du sol.
2. Inclinez la tête de désherbage.

3. Coupez avec l'extrémité du fil de coupe autour des objets dans la zone de travail.



**REMARQUE:** coupez l'herbe. Les autres objets heurtés par le fil de coupe accélèrent l'usure du fil de coupe.

## Pour couper l'herbe

1. Assurez-vous que le fil de coupe est parallèle au sol lorsque vous coupez l'herbe. (Fig. 46)
2. N'appuyez pas la tête de désherbage sur le sol. Cela peut endommager le produit.
3. Déplacez le produit de gauche à droite pour couper l'herbe. Utilisez le produit à plein régime. (Fig. 47)

## Pour balayer l'herbe

Le débit d'air du fil de coupe en rotation peut être utilisé pour éliminer l'herbe coupée d'une zone.

1. Maintenez la tête de désherbage et le fil de coupe parallèles au sol et au-dessus du sol.
2. Donner les pleins gaz.
3. Déplacez la tête de désherbage d'un côté à l'autre et balayez l'herbe.



**AVERTISSEMENT:** Nettoyez le capot de la tête de désherbage chaque fois que vous remettez un fil de coupe neuf pour éviter tout déséquilibre et des vibrations dans les poignées. Vérifiez également les autres pièces de la tête de désherbage et nettoyez au besoin.

## Arrêt du produit

1. Relâchez la gâchette de puissance ou son blocage.
2. Appuyez sur le bouton marche/arrêt jusqu'à ce que la LED verte s'éteigne.
3. Appuyez sur les boutons de déverrouillage de la batterie et sortez la batterie. (Fig. 48)

## Pour remplacer le fil de coupe

Reportez-vous à la dernière page de ce manuel de l'opérateur.

# Entretien

## Introduction



**AVERTISSEMENT:** assurez-vous de lire et de comprendre le chapitre sur la sécurité avant de procéder à l'entretien du produit.



## Calendrier de maintenance

**AVERTISSEMENT:** Retirez la batterie avant d'effectuer l'entretien.

La liste ci-dessous indique les étapes d'entretien à effectuer sur le produit. Consultez la section *Entretien* à la page 162 pour plus d'informations.

Entretien	Au quotidien	Toutes les semaines	Une fois par mois
Nettoyez les pièces externes du produit avec un chiffon sec. N'utilisez pas d'eau.	X		
Vérifiez que le bouton marche/arrêt fonctionne correctement et n'est pas endommagé.	X		
Vérifiez que la gâchette de puissance et son blocage fonctionnent en toute sécurité.	X		
Assurez-vous que toutes les commandes fonctionnent et ne sont pas endommagées.	X		
Nettoyez les poignées pour qu'elles restent toujours propres, sèches et exemptes d'huile et de graisse.	X		
Assurez-vous que l'accessoire de coupe n'est pas endommagé. Remplacez l'accessoire de coupe si celui-ci est endommagé.	X		
Assurez-vous que la protection de l'accessoire de coupe n'est pas endommagée. Remplacez la protection de l'accessoire de coupe si celle-ci est endommagée.	X		
Assurez-vous que les vis et les écrous sont serrés.	X		
Assurez-vous que les boutons de déverrouillage de la batterie fonctionnent et verrouillent la batterie au produit.	X		
Vérifiez que le chargeur de batterie n'est pas endommagé et fonctionne correctement.	X		
Assurez-vous que la batterie n'est pas endommagée.	X		
Assurez-vous que la batterie est chargée.	X		
Assurez-vous que le chargeur de batterie n'est pas endommagé.	X		
Vérifiez tous les câbles, tous les raccords et toutes les connexions. Assurez-vous qu'ils ne sont pas endommagés et qu'ils sont propres.		X	
Contrôlez les connexions entre la batterie et le produit. Contrôlez la connexion entre la batterie et le chargeur de batterie.			X

## Pour examiner la batterie et le chargeur de batterie

1. Examinez la batterie pour détecter tout dommage, par exemple des fissures.
2. Examinez le chargeur de batterie pour détecter tout dommage, par exemple des fissures.
3. Assurez-vous que le cordon de raccordement du chargeur de batterie n'est pas endommagé et qu'il n'est pas fissuré.

## Pour nettoyer le produit, la batterie et le chargeur de batterie

1. Nettoyez le produit avec un chiffon sec après utilisation.

2. Nettoyez la batterie et le chargeur de batterie avec un chiffon sec. Veillez à maintenir les rails guides de la batterie en parfait état de propreté.
3. Assurez-vous que les bornes de la batterie et du chargeur de batterie sont propres avant d'insérer la batterie dans le chargeur ou le produit.

## Pour examiner et remplacer la bougie

1. Vérifiez que l'admission d'air ne présente ni fissures ni saletés.
2. Retirez l'ensemble de goulotte du fil de coupe.
3. Examinez la tête de désherbage. (Fig. 49)
4. Remplacez la tête de désherbage.

5. Montez la tête de désherbage T35. Reportez-vous à la section *Pour remplacer la tête de désherbage à la page 160.*

## Dépannage

### Clavier

Écran à DEL	Défaillances possibles	Solutions possibles
La DEL d'erreur clignote	Surcharge	Les cliquets du démarreur ne peuvent pas se déplacer librement. Relâchez l'équipement de coupe.
	Écart de température	Laissez le produit refroidir.
Le produit ne démarre pas.	Appuyez simultanément sur la gâchette de puissance et sur le bouton de démarrage.	Relâchez la gâchette de puissance et appuyez sur le bouton de démarrage.
La LED d'erreur s'allume en rouge.	Il est nécessaire de procéder à l'entretien du produit.	Contactez votre agent d'entretien.

### Batterie

Affichage à LED	Défaillances possibles	Action possible
La DEL d'erreur clignote	Tension de batterie faible.	Rechargez la batterie.
La DEL d'erreur clignote	Écart de température.	Utilisez la batterie à une température comprise entre -10°C (14°F) et 40°C (104°F).
	Ralenti trop important.	Veillez à ce que la tension secteur soit conforme aux valeurs sur la plaque signalétique du produit.
		Dégagez la batterie du chargeur de batterie.
La DEL d'erreur est allumée	L'écart de tension entre les cellules est trop important (1 V).	Contactez votre atelier d'entretien.

### Chargeur de batterie

Problème	Défaillances possibles	Solution possible
La LED de charge est rouge.	Erreur de chargeur de batterie permanente.	Parlez-en à votre revendeur.
La LED de charge clignote en vert.	Écart de température, la batterie est trop froide ou trop chaude pour être utilisée ou chargée.	Laissez la batterie refroidir ou réchauffez-la. Lorsque la température de la batterie est correcte, elle peut à nouveau être utilisée ou rechargée. Utilisez le chargeur de batterie à des températures ambiantes comprises entre 5 °C (41 °F) et 40 °C (104 °F).

Problème	Défaillances possibles	Solution possible
La LED de charge clignote en rouge.	Batterie défectueuse.	Parlez-en à votre revendeur.

## Transport, entreposage et mise au rebut

### Transport et stockage

- Les batteries Li-ion fournies respectent les exigences de la législation sur les marchandises dangereuses.
- Vous devez respecter l'exigence spécifique relative à l'emballage et aux étiquettes pour les transports commerciaux, y compris par des tiers et des transitaires.
- Consultez un expert en matières dangereuses avant d'expédier le produit. Respectez les lois nationales en vigueur.
- Mettez du ruban adhésif sur les contacts lorsque vous placez la batterie dans un emballage. Placez la batterie dans l'emballage de façon hermétique pour empêcher tout mouvement.
- Retirez la batterie lors du stockage ou du transport.
- Placez la batterie et le chargeur de batterie dans un endroit sec, exempt d'humidité et de gel.
- Ne conservez pas la batterie dans un endroit présentant un risque d'électricité statique. Ne conservez pas la batterie dans une boîte métallique.
- Conservez la batterie dans un endroit où la température est comprise entre 5 °C (41 °F) et 25 °C (77 °F) et à l'écart de la lumière du soleil.
- Conservez le chargeur de batterie dans un endroit où la température est comprise entre 5 °C (41 °F) et 45 °C (113 °F) et à l'écart de la lumière du soleil.
- N'utilisez le chargeur de batterie que si la température ambiante est comprise entre 5 °C (41 °F) et 40 °C (104 °F).

- Chargez la batterie entre 30 % et 50 % avant de la remiser pendant de longues périodes.
- Conservez le chargeur de batterie dans un local fermé et sec.
- Conservez la batterie à l'écart du chargeur lors du rangement. Ne laissez pas des enfants ou d'autres personnes non homologuées toucher l'équipement. Conservez l'équipement dans un local verrouillable.
- Nettoyez le produit et effectuez un entretien complet avant de remiser le produit pendant de longues périodes.
- Utilisez la protection de transport du produit pour éviter les blessures et les dégâts causés au produit lors du transport et du remisage.
- Fixez le produit pour le transporter.

### Mise au rebut de la batterie, du chargeur de batterie et du produit

Les symboles figurant sur le produit ou son emballage indiquent que ce produit ne fait pas partie des ordures ménagères. Déposez-le dans une station de recyclage pour équipements électriques et électroniques. Ceci permet d'éviter les dangers pour l'environnement et les personnes.

Contactez les autorités locales, le service des ordures ménagères ou votre revendeur pour plus d'informations sur le recyclage de votre produit.

## Caractéristiques techniques

### Caractéristiques techniques

	<b>215iL</b>
<b>Moteur</b>	
Type de moteur	BLDC
Régime de l'arbre de sortie, tr/min	6 800
Largeur de coupe, mm	310
<b>Poids</b>	
Poids sans batterie, kg	2,9

	<b>215iL</b>
<b>Émissions sonores</b> <sup>28</sup>	
Niveau de puissance acoustique mesuré, dB (A)	90,5
Niveau de puissance acoustique garanti L <sub>WA</sub> dB (A)	92
<b>Niveaux sonores</b> <sup>29</sup>	
Niveau de pression sonore équivalent à l'oreille de l'utilisateur, mesuré selon EN ISO 50636-2-91, dB (A)	74,9
<b>Niveaux de vibrations</b> <sup>30</sup>	
Niveaux de vibration au niveau des poignées mesurés selon la norme EN50636-2-91, m/s <sup>2</sup>	4,5 / 2,7
Avec tête de désherbage (d'origine), avant / arrière.	

### Batteries homologuées pour le produit

Batterie	BLi10		BLi20		40-B70	40-B140
Type	Lithium-ion		Lithium-ion		Lithium-ion	Lithium-ion
Capacité de la batterie, Ah	Reportez-vous à l'autocollant de capacité de la batterie		Reportez-vous à l'autocollant de capacité de la batterie		Reportez-vous à l'autocollant de capacité de la batterie	Reportez-vous à l'autocollant de capacité de la batterie
Tension nominale, V	36	36,5	36	36,5	36	36
Poids, lb/kg	0,7	0,7	1,2	1,2	0,8	1,25

### Chargeurs de batterie homologués pour le produit

Chargeur de batterie	QC80	40-C80
Tension secteur, V	100-240	100-240
Fréquence, Hz	50-60	50-60
Puissance, W	100	72
Tension de sortie, V d.c / Ampères, A	36/2	43/1,6

<sup>28</sup> Émissions sonores dans l'environnement mesurées comme puissance acoustique (L<sub>WA</sub>) selon la directive européenne CE 2000/14/CE. Le niveau de puissance sonore garanti diffère du niveau mesuré en cela qu'il prend également en compte la dispersion et les variations d'un produit à l'autre du même modèle, conformément à la directive 2000/14/CE.

<sup>29</sup> Les données reportées pour le niveau de pression sonore équivalent pour le produit montrent une dispersion statistique typique (déviatoin standard) de 2,5 dB (A).

<sup>30</sup> Les données reportées pour le niveau de vibrations montrent une dispersion statistique typique (déviatoin standard) de 1,5 m/s<sup>2</sup>.

---

## Accessoires

---

### Accessoires homologués

Accessoires homologués	Type	Protection pour équipement de coupe, réf.
Tête de désherbage	R25B (fil Ø 2 mm)	529 96 69-01

# Déclaration de conformité

## Déclaration de conformité EU

Nous, **Husqvarna AB**, SE-561 82 Huskvarna, Suède,  
tél : +46-36-146500, déclarons sous notre entière  
responsabilité que le produit :

<b>Description</b>	Coupe-bordures sur batterie
<b>Marque</b>	Husqvarna
<b>Type/Modèle</b>	215iL
<b>Identification</b>	Les numéros de série à partir de 2024 et ultérieurs

est entièrement conforme à la réglementation et aux  
directives de l'UE suivantes :

<b>Directive / réglemen- tation</b>	<b>Description</b>
2006/42/CE	« relative aux machines »
2014/30/UE	« relative à la compatibilité électromagnétique »
2000/14/CE	« relative aux émissions sonores dans l'environnement »
2011/65/UE	« relative à la limitation de l'utilisation de certaines substances dangereuses au sein d'équipements électriques et électroniques »

et que les normes et/ou les spécifications techniques  
suivantes sont appliquées : EN 60335-1:2012/A15:2021,  
EN 50636-2-91:2014, EN IEC 63000:2018, EN IEC  
55014-1:2021; EN IEC 55014-2:2021.

L'organisme notifié : 0197 TÜV Rheinland LGA  
Products GmbH, Tillystraße 2, 90431 Nürnberg,  
Germany a certifié être conforme à la Directive du  
Conseil 2000/14/CE, procédure d'évaluation de la  
conformité : Annexe VI.

Pour toute information relative aux émissions sonores,  
reportez-vous à la section *Caractéristiques techniques à  
la page 165*.

Huskvarna, 2024-02-01



Claes Losdal, responsable R&D, Husqvarna AB  
Responsable de la documentation technique



## Sadržaj

Uvod.....	169	Prijevoz, spremanje i zbrinjavanje.....	180
Sigurnost.....	170	Tehnički podaci.....	181
Sastavljanje.....	176	Dodatna oprema.....	182
Rad.....	176	Izjava o sukladnosti.....	183
Održavanje.....	178	Dodatak .....	454
Rješavanje problema.....	179		



---

## Uvod

---

### Opis proizvoda

Husqvarna 215iL je baterijski trimer za travu s elektromotorom.

Neprestano radimo na povećanju vaše sigurnosti i učinkovitosti tijekom rada. Za više informacija obratite se servisnom distributeru.

### Namjena

Proizvod se upotrebljava s nemetalnim flaksom trimera, nemetalnim žicama ili ekvivalentnim nemetalnim

fleksibilnim reznim elementima. Proizvod upotrebljavajte isključivo za rezanje korova, trave ili slične mekane vegetacije.

---

**Napomena:** Nacionalni propisi mogu ograničiti upotrebu ovog proizvoda.

---

### Pregled proizvoda

(Sl. 1)

1. Glava trimera
2. Štitnik reznog nastavka
3. Vratilo
4. Prilagodba vratila (teleskop)
5. Okrugla ručka
6. Tipkovnica
7. Indikator upozorenja za tipkovnicu
8. Gumb START/STOP
9. Gumb Save
10. Okidač paljenja
11. Blokada okidača paljenja
12. Indikator uključenog napajanja i upozorenja
13. Priključak
14. Punjač baterije 40-C80
15. Punjač baterije QC80
16. Kabel napajanja
17. Štitnik za biljke
18. Indikator upozorenja za bateriju
19. Status baterije
20. Gumb indikatora baterije
21. Gumbi za oslobađanje baterije
22. Baterija
23. Višenamjenski alat
24. Korisnički priručnik

(Sl. 5) Nemojte izlagati kiši.

(Sl. 6) Naljepnica za emisije buke u okoliš prema EU (uključujući zakonodavstvo Novog Južnog Walesa ) i UK direktivama i propisima. Podaci o emisiji buke navedeni su na naljepnici i u poglavlju Tehnički podaci.

(Sl. 7) Promatračima onemogućite prilaz proizvodu.

(Sl. 8) Odspojite bateriju prije održavanja.

(Sl. 9) Proizvod ni njegova ambalaža ne spadaju u kućanski otpad. Reciklirajte ga u reciklažnoj stanici za električnu i elektroničku opremu.

(Sl. 10) Proizvod ispunjava mjerodavne direktive EU.

(Sl. 11) Proizvod je usklađen s važećim direktivama u UK.

(Sl. 12) Istosmjerna struja.

ggggtbxxxx

Serijski broj nalazi se na natpisnoj pločici ili laser-skom ispisu. **yyyy** je godina proizvodnje, a **ww** je tjedan proizvodnje.

### Simboli na proizvodu

(Sl. 2) **UPOZORENJE:** Ovaj proizvod može biti opasan i izazvati teške ozljede ili smrt rukovatelja, odnosno drugih osoba. Budite oprezni i pravilno upotrebljavajte ovaj proizvod.

(Sl. 3) Pažljivo pročitajte korisnički priručnik i prije upotrebe dobro usvojite sadržaj.

(Sl. 4) Koristite zaštitu za oči.

### Simboli na bateriji i/ili punjaču baterija

(Sl. 16) Reciklirajte ovaj proizvod u reciklažnoj stanici za električnu i elektroničku opremu. (Primjenjuje se samo na Europu)

- (Sl. 13) Sigurnosni transformator.
- (Sl. 14) Punjač baterije koristite i čuvajte isključivo u zatvorenom prostoru.
- (Sl. 15) Dvostruka izolacija.

- proizvod nepravilno popravljn
- proizvod popravljn dijelovima koje nije proizveo proizvođač ili nemaju odobrenje proizvođača
- proizvod ima dodatnu opremu koje nije proizveo proizvođač ili nemaju odobrenje proizvođača
- proizvod nije popravljn u odobrenom servisnom centru ili kod ovlaštene osobe.

## Oštećenje proizvoda

U sljedećim okolnostima nećemo biti odgovorni za oštećenja proizvoda:

---

## Sigurnost

---

### Sigurnosne definicije

Upozorenjima, oprezima i napomenama naglašavaju se posebno važni dijelovi priručnika.



**UPOZORENJE:** Koristi se kada nepoštivanje uputa iz priručnika može uzrokovati smrt ili ozljede rukovatelja ili promatrača.



**OPREZ:** Koristi se kada nepoštivanje uputa iz priručnika može uzrokovati oštećenje proizvoda ili drugih materijala u neposrednoj blizini.

**Napomena:** Koristi se prikaz neophodnih dodatnih informacija za zadanu situaciju.

### Opća sigurnosna upozorenja za električne alate



**UPOZORENJE:** Pažljivo pročitajte sve sigurnosne upute i upozorenja. Nepoštivanje upozorenja i uputa može uzrokovati električni udar, požar i/ili ozbiljne ozljede.

**Napomena:** Spremite sva upozorenja i upute za buduće potrebe. Pojam "električni alat" u upozorenjima odnosi se na električni alat koji se napaja kabelom putem mrežne utičnice (ožičeni) ili električni alat na baterije (bežični).

### Provjera prije uključivanja

- Uvijek uklonite bateriju kako biste spriječili slučajno pokretanje proizvoda. Prije svakog održavanja proizvoda uvijek uklonite bateriju.
- Prije upotrebe proizvoda i nakon svakog udara provjerite ima li znakova istrošenosti ili oštećenja te ih po potrebi popravite.

- Pregledajte radno područje. Uklonite sve slobodne predmete poput kamenja, razbijenog stakla, čavala, čelične žice, konopca, i sl. koji bi mogli biti izbačeni ili omotani oko rezača ili štitnika rezača.
- Provjerite ima li na motoru prljavštine i pukotina. Travu i lišće s motora očistite četkom. Nosite rukavice kada su potrebne.
- Glava trimera mora biti u potpunosti pričvršćena na trimer.
- Provjerite je li uređaj u savršenom radnom stanju. Provjerite zategnutost svih matrica i vijaka.
- Glava trimera i štitnik trimera ne smiju biti oštećeni ili napukli. Glavu trimera ili štitnik trimera zamijenite ako su bili izloženi udarcu ili ako su napukli. Uvijek upotrebljavajte preporučeni štitnik za specifičan rezni pribor. Vidi poglavlje Tehnički podaci.
- Rukovatelj proizvodom tijekom rada mora onemogućiti pristup ljudima ili životinjama na bliže od 15 metara. Kada nekoliko rukovatelja radi na istom području sigurnosna udaljenost treba biti barem 15 metara.
- Prije upotrebe proizvoda provedite cjeloviti pregled. Pogledajte raspored održavanja.
- Način upotrebe mogli bi određivati nacionalni ili lokalni propisi. Poštujte navedene propise.

### Sigurnost na radnom mjestu

- **Radno mjesto mora biti čisto i dobro osvijetljeno.** Zakršeni i tamni prostori čest su uzrok nesreća.
- **Nemojte upotrebljavati električne alate u eksplozivnim okruženjima, primjerice u blizini zapaljivih tekućina, plinova i prašine.** Električni alati stvaraju iskre koje mogu zapaliti prašinu ili isparenja.
- **Dok rukujete električnim alatom, pazite da u blizini nema djece ni promatrača.** Svako ometanje može uzrokovati gubitak nadzora nad strojem.

### Električna sigurnost

- **Utička električnog alata moraju odgovarati utičnicama. Nemojte ni na koji način mijenjati utikač. Nemojte upotrebljavati utikače prilagodnika za električne alate s uzemljenjem.** Originalni utikači i odgovarajuće utičnice smanjuju opasnost od strujnog udara.

- **Izbjegavajte kontakt s uzemljenim površinama kao što su cijevi, radijatori, štednjaci i hladnjaci.** Postoji velika opasnost od strujnog udara ako dođete u dodir s uzemljenom površinom.
- **Električne alate nemojte izlagati kiši ili vlažnim uvjetima.** U slučaju dospijevanja vode u električni alat povećava se opasnost od strujnog udara.
- **Pazite na kabel.** Kabel nemojte upotrebljavati za prenošenje, povlačenje ili isključivanje električnog alata. Držite ga podalje od vrućine, ulja, oštih rubova ili pokretnih dijelova. Oštećeni ili zapetljani kabeli povećavaju opasnost od strujnog udara.
- **Kada električni alat upotrebljavate na otvorenom, morate upotrebljavati odgovarajući produžni kabel.** Kabel predviđen za upotrebu na otvorenom smanjuje opasnost od strujnog udara.
- **Ako električnim alatom morate rukovati na viažnom mjestu, koristite napajanje putem zaštitnog uređaja diferencijalne struje (RCD).** Primjenom zaštitnog uređaja diferencijalne struje (RCD) smanjuje se opasnost od strujnog udara.

## Osobna sigurnost

- **Budite usredotočeni, pazite što radite i razumno upravljajte električnim alatom.** Električni alat nemojte upotrebljavati umorni ili pod djelovanjem droga, alkohola ili lijekova. Trenutak nepažnje pri rukovanju električnim alatom može uzrokovati ozbiljne tjelesne ozljede.
- **Upotrebljavajte osobnu zaštitnu opremu. Uvijek nosite zaštitu za oči.** Upotreba zaštitne opreme poput maske za prašinu, protukliznih zaštitnih cipela, kacige i štitnika za uši u odgovarajućim uvjetima smanjuje opasnost od tjelesnih ozljeda.
- **Spriječite nehotično pokretanje stroja. Prije podizanja ili prenošenja alata ili pak njegova priključivanja na napajanje i/ili bateriju sklopka mora biti u isključenom položaju (OFF).** Držanje prsta na prekidaču prilikom nošenja električnih alata ili priključivanje napajanja električnih alata kojima je prekidač uključen povećava rizik od nesreće.
- **Prije uključivanja električnog alata izvadite klin za prilagođavanje ili uklonite ključ.** Ako ključ ili klin ostanu na pokretnom dijelu električnog alata, može doći do tjelesnih ozljeda.
- **Ne posežite predaleko. Uvijek imajte dobar oslonac i održavajte ravnotežu.** To omogućuje bolju kontrolu električnog alata u neočekivanim situacijama.
- **Nosite prikladnu odjeću. Nemojte nositi široku odjeću ni nakit.** Kosu i odjeću držite podalje od pomičnih dijelova. Široka odjeća, nakit ili duga kosa mogu zapeti u pokretnim dijelovima stroja.
- **Ako su priloženi uređaji za povezivanje mehanizama za izdvajanje i prikupljanje prašine, pripazite na njihovo pravilno priključivanje i upotrebu.** Upotreba mehanizma za prikupljanje prašine može smanjiti opasnosti uzrokovane prašinom.
- **Zbog rutiniranosti nastale čestom primjenom alata nemojte postati samodopadni te zanemarivati**

**sigurnosna pravila.** Neoprezan rad u djeliću sekunde može uzrokovati ozbiljnu ozljedu.

- Jačina vibracija tijekom upotrebe električnog alata može se razlikovati od navedene ukupne vrijednosti ovisno o načinu upotrebe alata. Kako bi se zaštitio, rukovatelj mora odrediti sigurnosne mjere koje se temelje na procjeni izlaganja u stvarnim uvjetima upotrebe (u obzir treba uzeti sve dijelove u radnom ciklusu, kao što je broj isključivanja alata i rad u praznom hodu uz korištenje prekidača).

## Upotreba i održavanje električnog alata

- **Nemojte preopterećivati električni alat.** Upotrebljavajte električni alat koja odgovara namjeni. Odgovarajući električni alat posao će obaviti bolje i sigurnije pri onoj brzini za koju je oblikovan.
- **Nemojte upotrebljavati električni alat ako mu se sklopka ne može uključiti i isključiti.** Električni alat kojim ne možete upravljati putem sklopke opasan je i potrebno ga je popraviti.
- **Prije bilo kakvih izmjena, zamjene dodatne opreme ili spremanja električnog alata isključite utikač od izvora napajanja i/ili izvadite baterijski paket iz električnog alata.** Te preventivne sigurnosne mjere smanjuju opasnost od nehotičnog pokretanja električnog alata.
- **Električne alate koji nisu u upotrebi skladištite izvan dohvata djece i osobama koje ne poznaju alat i nisu pročitale ove upute nemojte dopustiti rukovanje alatom.** Električni alati mogu biti opasni kada njima rukuju neiskusni korisnici.
- **Održavajte električni aparat i dodatnu opremu.** Provjerite jesu li spojni ili pokretni dijelovi pogrešno namješteni, je li neki dio oštećen te postoje li neki drugi uzroci koji bi mogli onemogućiti ispravan rad električnog alata. Ako postoje oštećenja, popravite električni alat prije upotrebe. Uzrok mnogim nesrećama jest loše održavanje električnih alata.
- **Alati za rezanje moraju biti oštri i čisti.** Ispravno održavani alati za rezanje s oštrim reznim oštricama neće se zablokirati te ih je lakše kontrolirati.
- **Upotrebljavajte električni alat, dodatke i dijelove itd. u skladu s ovim uputama, uzimajući u obzir radne uvjete i posao koji treba obaviti.** Upotreba električnih alata u neodgovarajuće svrhe može dovesti do opasnih situacija.
- **Ručke i prihvatne površine moraju biti suhe, čiste i bez tragova ulja i masti.** Klizave ručke i prihvatne površine u neočekivanim situacijama onemogućuju sigurno rukovanje i kontrolu na alatom.

## Upotreba i čišćenje alata za bateriju

- **Bateriju punite samo punjačem koji navodi proizvođač.** Punjač prikladan za jednu vrstu baterije može uzrokovati opasnost od požara ako se upotrebljava s drugim baterijskim kompletom.
- **Proizvode upotrebljavajte samo uz posebno namijenjene baterijske komplete.** Upotreba bilo kojeg drugog baterijskog kompleta može izazvati rizik od ozljede i požara.

- **Kad baterijski komplet ne upotrebljavate, držite ga dalje od drugih metalnih predmeta poput spojnice za papir, novčića, ključeva, čavala, vijaka ili drugih malih metalnih predmeta koji mogu spojiti priključke.** Kratki spoj priključaka baterije može uzrokovati opekline ili požar.
- **U uvjetima lošeg postupanja, iz baterije može štrcnuti tekućina; izbjegavajte dodir s njom. Ako slučajno dođe do dodira, isperite vodom. Ako tekućina dođe u dodir s očima, potražite i liječničku pomoć.** Tekućina koja štrcne iz baterije može izazvati iritacije ili opekline.
- **Nemojte upotrebljavati baterijski komplet ili alat koji je oštećen ili modificiran.** Oštećeni ili izmijenjeni akumulatori mogu se ponašati nepredvidivo te uzrokovati požar, eksploziju ili opasnost od ozljede.
- **Baterijski komplet i alat nemojte izlagati vatri ni ekstremnim temperaturama.** Izlaganje vatri ili temperaturama većima od 130 °C može dovesti do eksplozije.
- **Pridržavajte se svih uputa za punjenje, a baterijski komplet i alat nemojte puniti izvan temperaturnog raspona navedenog u uputama.** Neispravno punjenje ili držanje na temperaturama izvan navedenog raspona može oštetiti bateriju i povećati mogućnost od požara.

## Servisiranje

- **Električni alat mora servisirati obučeni serviser s jednakim zamjenskim dijelovima.** Time se zadržava sigurnost električnog alata.
- **Oštećene baterijske pakete nikada nemojte servisirati.** Servisiranje baterijskih paketa dopušteno je samo proizvođaču ili ovlaštenim servisnim distributerima.

## Zdrav razum treba prevladati

Nije moguće obuhvatiti sve situacije s kojima se možete susresti. Uvijek postupajte oprezno i slijedite zdrav razum. Izbjegavajte sve situacije izvan vaših sposobnosti. Ako se i nakon čitanja ovih uputa osjećate nesigurni u pogledu radnih postupaka, obratite se stručnoj osobi prije nastavka.



**UPOZORENJE:** Djeca ne smiju upotrebljavati stroj niti boraviti u njegovoj blizini. Budući da se uređaj može lako pokrenuti, djeca bi ga mogla aktivirati dok nisu pos strogim nadzorom. To može rezultirati ozbiljnim tjelesnim ozljedama. Stoga odvojite bateriju kada stroj nije pod strogim nadzorom.

## Opće sigurnosne upute



**UPOZORENJE:** Prije upotrebe proizvoda pročitajte upute upozorenja u nastavku.

- Uklonite bateriju kako biste spriječili slučajno pokretanje proizvoda.
- Ako ga upotrebljavate neoprezno ili nepravilno, ovaj proizvod je opasan alat. Ovaj proizvod može izazvati teške ozljede ili smrt rukovatelja ili drugih osoba.
- Nemojte upotrebljavati proizvod ako su mu promijenjene početne specifikacije. Nemojte mijenjati dio proizvoda bez odobrenja proizvođača. Upotrebljavajte isključivo dijelove s odobrenjem proizvođača. Nepravilno održavanje može uzrokovati ozljede ili smrt.
- Pregledajte proizvod prije upotrebe. Pogledajte *Provjera prije uključivanja na stranici 170* i *Prije rada s proizvodom na stranici 176*. Nemojte upotrebljavati proizvod koji je izmijenjen ili neispravan. Provodite sigurnosne provjere, održavanje i servis opisane u ovom priručniku.
- Djecu treba nadzirati kako se ne bi igrala s proizvodom. Upotrebu ili servisiranje proizvoda i/ili baterije nikada nemojte prepustiti djeci ili osobama bez odgovarajuće obuke. Dob korisnika može biti regulirana lokalnim zakonima.
- Proizvod čuvajte u zaključanom prostoru kako biste onemogućili pristup djeci ili osobama bez odobrenja.
- Proizvod spremite izvan dohvata djece.
- Ni u kojem slučaju ne smijete mijenjati dizajn proizvoda bez odobrenja od proizvođača. Obavezno upotrebljavajte originalnu dodatnu opremu. Neovlaštene izmjene i/ili rezervna oprema može uzrokovati ozbiljne osobne ozljede ili smrt rukovatelja ili drugih osoba.

**Napomena:** Upotrebu mogu regulirati nacionalni ili lokalni propisi. Poštujte navedene propise.

## Sigurnosne upute za rad



**UPOZORENJE:** Prije upotrebe proizvoda pročitajte upozoravajuće upute u nastavku.

- **Izbjegavajte upotrebu stroja tijekom loših vremenskih uvjeta, pogotovo ako postoji opasnost od grmljavinskog nevremena.** Time smanjujete opasnost od udara munje.
- **Temeljito provjerite ima li u području upotrebe proizvoda divljih životinja.** Stroj u radu može ozlijediti divlje životinje.
- **Temeljito pregledajte područje upotrebe stroja te uklonite sve kamenje, grane, žice, kosti i druge strane predmete.** Izbačeni predmeti mogu uzrokovati tjelesne ozljede.
- **Prije upotrebe stroja obavezno vizualno provjerite jesu li rezač i sklop rezača neoštećeni.** Oštećeni dijelovi povećavaju opasnost od ozljede.
- **Štitnici moraju biti postavljeni. Štitnici moraju biti ispravni i pravilno postavljeni.** Nepričvršćen, oštećen ili neispravan štitnik može uzrokovati tjelesnu ozljedu.

- **Sve ulaze rashladnog zraka čistite od ostataka.** Neprohodni ulazi zraka i ostaci mogu uzrokovati pregrijavanje ili opasnost od požara.
- **Nosite zaštitu za oči i uši.** Prikladna zaštitna oprema ublažava osobne ozljede.
- **Tijekom rada sa strojem obavezno nosite protukliznu i zaštitnu obuću. Strojem nemojte rukovati bosonogi ni u otvorenim sandalama.** Tako smanjujete mogućnost ozljede stopala pri kontaktu s rezačem u pokretu.
- **Tijekom rada sa strojem uvijek nosite odjeću poput hlača koja pokriva noge rukovatelja.** Kontakt s rezačem u pokretu ili flaksom može uzrokovati ozljedu.
- **Tijekom rada sa strojem onemogućite prilaz promatračima.** Izbačeni ostaci mogu uzrokovati ozbiljne tjelesne ozljede.
- **Stroj nemojte pogoniti iznad razine struka.** Tako smanjujete mogućnost slučajnog kontakta s rezačem i omogućujete bolju kontrolu nad strojem u neočekivanim situacijama.
- **Budite pažljivi pri upotrebi stroja u mokroj travi. Hodajte, nemojte trčati.** Tako smanjujete opasnost od klizanja i pada, pri čemu može doći do osobne ozljede.
- **Stroj nemojte upotrebljavati na izrazito strmim kosinama.** Tako smanjujete opasnost od gubitka kontrole, klizanja i pada, pri čemu može doći do osobne ozljede.
- **Kada radite na kosinama, uvijek provjerite uporište, uvijek radite poprečno duž kosine, nikada uz ili niz, i budite iznimno pažljivi pri promjeni smjera.** Tako smanjujete opasnost od gubitka kontrole, klizanja i pada, pri čemu može doći do osobne ozljede.
- **Sve električne žice i kabele držite podalje od područja rezanja.** Električne žice ili kabele mogu biti prikriiveni živicama ili grmljem i možete ih nehotično prerezati ili oštetiti flaksom ili rezačem.
- **Sve dijelove tijela držite podalje od rezača za obrezivanje u pokretu ili flaksa. Nemojte uklanjati materijal sa stroja dok ga ne odspojite od izvora napajanja.** Rezač za obrezivanje u pokretu ili flaks mogu uzrokovati ozbiljne osobne ozljede.
- **Stroj prenosite s isključenim motorom i uvijek podalje od tijela.** Pravilnim rukovanjem strojem smanjujete vjerojatnost slučajnog kontakta s rezačem za obrezivanje u pokretu ili flaksom.
- **Upotrebljavajte samo zamjenske rezne glave i rezače za trimere ili flaks koje navodi proizvođač. Rezače za trimere ili flaks nemojte zamjenjivati metalnim žicama ili noževima.** Neodgovarajući zamjenski dijelovi mogu uzrokovati gubitak kontrole, pucanje i ozljedu.

## Oprema za osobnu zaštitu



**UPOZORENJE:** Prije upotrebe proizvoda pročitajte upozoravajuće upute u nastavku.

- Prilikom uporabe proizvoda uvijek upotrebljavajte odobrenu osobnu zaštitnu opremu. Oprema za osobnu zaštitu ne može u potpunosti spriječiti ozljede, no smanjuje stupanj ozljede u slučaju nezgode. Pri odabiru odgovarajuće opreme zatražite pomoć ovlaštenog trgovca.
- Upotrebljavajte odobrenu zaštitu sluha.

(Sl. 17)

- Upotrebljavajte odobrenu zaštitu za oči. Ako nosite vizir, morate nositi i odobrene zaštitne naočale. Odobrene zaštitne naočale moraju ispunjavati normu ANSI Z87.1 za SAD ili EN 166 za države EU-a.

(Sl. 18)

- Po potrebi nosite rukavice – primjerice prilikom pričvršćenja, pregleda ili čišćenja rezne opreme.

(Sl. 19)

- Nosite zaštitne čizme sa čeličnom kapicom i protukliznim potplatima.

(Sl. 20)

- Nosite odjeću napravljenu od čvrstog materijala. Uvijek nosite teške duge hlače i duge rukave. Nemojte nositi široku odjeću koja može zapinjati za grane i prutove. Ne nosite nakit, kratke hlače niti sandale. Ne budite bosonogi. Kosu podignite iznad ramena.
- Opremu za prvu pomoć držite u blizini.

(Sl. 21)

## Sigurnosni uređaji na proizvodu



**UPOZORENJE:** Prije upotrebe proizvoda pročitajte upute upozorenja u nastavku.

U ovom odjeljku opisane su sigurnosne značajke proizvoda, njegova namjena te način provedbe provjera i održavanja za osiguranje ispravnog rada. Potražite upute pod naslovom *Uvod na stranici 169* kako biste pronašli položaj ovih dijelova na proizvodu.

Neppravilno održavanje te neprofesionalno servisiranje i/ili popravci proizvoda skraćuju vijek trajanja proizvoda i povećavaju opasnost od nezgoda. Sve dodatne informacije zatražite od najbližeg servisnog trgovca.



**UPOZORENJE:** Nikada nemojte upotrebljavati proizvod s oštećenim sigurnosnim komponentama. Provodite provjere i održavajte sigurnosnu opremu proizvoda prema uputama opisanim u ovom odjeljku. Ako proizvod ne zadovolji bilo koju od ovih provjera, obratite se serviseru radi popravka.



**OPREZ:** Ptreban je specijalan tečaj za servisiranje i popravak stroja. Ovo se posebno odnosi na sigurnosnu opremu

stroja. Ako stroj ne zadovolji neke od provjera navedenih u nastavku, obratite se serviseru. Pri kupnji naših proizvoda jamčimo dostupnost profesionalnih popravaka i servisa. Ako prodavač koji vam je prodao proizvod nije zadužen i za servisiranje, zatražite adresu najbližeg servisera.

### Provjera tipkovnice

1. Pritisnite i zadržite gumb za pokretanje/zaustavljanje (A). (Sl. 22)
  - a) Proizvod je uključen kada svijetli LED indikator (B).
  - b) Proizvod je isključen kada LED indikator (B) ne svijetli.
2. Pogledajte *Tipkovnica na stranici 179* ako svijetli ili trepće indikator upozorenja (C).

### Provjera blokade okidača paljenja

Blokada okidača paljenja sprječava nehotično pokretanje. Pritiskom na blokadu okidača paljenja (A) otpuštate okidač paljenja (B). Kada otpustite ručku, okidač paljenja i blokada okidača paljenja vraćaju se na svoj početni položaj. (Sl. 23)

1. Provjerite je li okidač paljenja blokiran kada je blokada okidača paljenja u početnom položaju. (Sl. 24)
2. Pritisnite okidač paljenja i provjerite vraća li se po otpuštanju u početni položaj. (Sl. 25)
3. Provjerite pomiču li se okidač paljenja i blokada okidača paljenja slobodno te ispravnost povratne opruge. (Sl. 26)
4. Pokrenite proizvod. Pogledajte *Pokretanje proizvoda na stranici 177*.
5. Dajte puni gas.
6. Otpustite okidač paljenja i provjerite je li se rezni pribor potpuno zaustavio.

### Provjera štitnika za rezni pribor



**UPOZORENJE:** Rezni pribor nemojte upotrebljavati bez odobrenih i pravilno ugrađenih štitnika za rezni pribor. Uvijek upotrebljavajte preporučeni štitnik za rezni pribor koji upotrebljavate, pogledajte *Tehnički podaci na stranici 181*. Ugradnjom neodgovarajućeg ili neispravnog štitnika za rezni pribor možete uzrokovati ozbiljne tjelesne ozljede.

Štitnik za rezni pribor zaustavlja predmete koji se izbacuju prema rukovatelju. Štitnik za rezni pribor također sprječava ozljede koje mogu nastati pri dodiru reznog pribora.

1. Zaustavite motor.
2. Vizualno potražite oštećenja, primjerice napukline.
3. Ako je štitnik za rezni pribor oštećen, zamijenite ga.

### Rezna oprema

Odaberite odgovarajuću reznu opremu i redovito je održavajte kako biste:

- Ostvarili najučinkovitije rezanje.
- Produljili vijeka trajanja rezne opreme.



**UPOZORENJE:** Upotrebljavajte samo preporučene rezne nastavke i štitnike! Pogledajte *Tehnički podaci na stranici 181*. U uputama za rezni nastavak potražite kako pravilno postaviti flaks trimera i koji je ispravan promjer flaksa za trimmer.



**UPOZORENJE:** Oštećeni rezni nastavak povećava opasnost od nezgode.



**UPOZORENJE:** Uvijek zaustavite motor prije početka rada na nastavku za rezanje. On se nastavlja vrtjeti čak i nakon otpuštanja gasa. Prije početka radova nastavak za rezanje se mora potpuno zaustaviti, a sa svječiće morate odspojiti ulnicu.

### Glava trimera



**UPOZORENJE:** Flaks trimera uvijek čvrsto i ravnomjerno zategnite oko bubnja kako biste spriječili štetne vibracije.

(Sl. 27)

- Upotrebljavajte samo preporučene glave i flaks trimera.
- Upotrebljavajte samo preporučene rezne nastavke.
- Za manje strojeve u pravilu su potrebne manje glave trimera i obrnuto.
- Duljina flaksa trimera također je važna. Dulji flaks trimera zahtjeva jači motor od kraćeg flaksa trimera istog promjera.
- Rezač na štitniku trimera ne smije biti oštećen. On skraćuje flaks trimera na ispravnu duljinu.
- Prije upotrebe nekoliko dana flaks trimera namačite u vodi kako biste mu produljili vijek trajanja.

### Sigurnost baterije



**UPOZORENJE:** Prije upotrebe proizvoda pročitajte upute upozorenja u nastavku.

- Upotrebljavajte isključivo baterije serije BLi i 40-B. Detalje pogledajte pod *Tehnički podaci na stranici 181*. Baterija je softverski šifrirana.
- Upotrebljavajte isključivo punjive baterije serije BLi i 40-B za napajanje odgovarajućih proizvoda tvrtke Husqvarna. Bateriju nemojte upotrebljavati za napajanje drugih proizvoda jer postoji opasnost od ozljeda.
- Opasnost od strujnog udara. Polove baterije nemojte spajati s ključevima, kovanicama, vijcima ili drugim metalom. Tako može doći do kratkog spoja baterije.
- Nemojte upotrebljavati baterije koje nisu punjive.
- Nemojte umetati predmete u zračne utore baterije.
- Bateriju zaštitite od sunčeve svjetlosti, vrućine i otvorenog plamena. Baterija može uzrokovati opekline i/ili kemijske opekline.
- Zaštitite bateriju od kiše i mokrih uvjeta.
- Zaštitite bateriju od mikrovalova i visokog tlaka.
- Bateriju nemojte rastavljati ili razbijati.
- Ako baterija počne propuštati, nemojte dopustiti da vam tekućina dospije na kožu ili u oči. Ako ste dodirnuli tekućinu, isperite površinu velikom količinom sapunice i zatražite medicinsku pomoć. Ako vam je tekućina prodrla u oči, nemojte ih trljati. Najmanje 15 minuta ispirite ih vodom te zatražite medicinsku pomoć.
- Bateriju upotrebljavajte u rasponu temperatura od -10 °C (14 °F) i 40 °C (114 °F).
- Bateriju ili punjač baterije nikada nemojte čistiti vodom. Pogledajte *Čišćenje proizvoda, baterije i punjača baterije na stranici 179*.
- Nemojte upotrebljavati neispravnu ili oštećenu bateriju.
- Baterije skladištite dalje od metalnih predmeta poput čavala, vijaka ili nakita.
- Bateriju držite podalje od djece.
- Sve kabele i produžne kabele držite podalje od vode, ulja i oštih rubova. Kabel nemojte zahvatiti predmetima, npr. vratima, ogradama i sl.
- Punjač baterije nemojte upotrebljavati u blizini zapaljivih materijala ili materijala koji mogu uzrokovati koroziju. Punjač baterije ne smije biti prekriven. Ako dođe do razvoja dima ili požara, odspojite utikač punjača baterije.
- Bateriju puniti isključivo u zatvorenom, dobro prozračenom zatvorenom prostoru bez izravne sunčeve svjetlosti. Baterije nemojte puniti na otvorenom. Bateriju nije dopušteno puniti u vlažnim uvjetima.
- Punjač baterije upotrebljavajte isključivo na temperaturama između 5 °C (41 °F) i 40 °C (104 °F). Punjač baterije upotrebljavajte u prozračnom i suhom okruženju bez prašine.
- Nemojte umetati predmete u rashladne utore punjača baterije.
- Nikada nemojte priključivati ​​terminale punjača baterije na metalne predmete jer tako možete izazvati kratki spoj na punjaču baterija.
- Upotrebljavajte neoštećene i odobrene mrežne utičnice. Uvjerite se da kabel punjača baterije nije oštećen. Ako upotrebljavate produžni kabel, provjerite da nije oštećen.
- Punjačima baterije nije dopušteno puniti baterije koje se ne mogu puniti.

## Sigurnosne upute za održavanje



**UPOZORENJE:** Prije održavanja proizvoda pročitajte upozoravajuće upute u nastavku.

## Sigurnost punjača baterije



**UPOZORENJE:** Prije upotrebe proizvoda pročitajte upute upozorenja u nastavku.

- Nepoštivanje sigurnosnih uputa može uzrokovati električni udar ili kratki spoj.
- Upotrebljavajte isključivo punjače baterija isporučene uz proizvod. Upotrebljavajte isključivo punjače QC80 i 40-C80 za punjenje zamjenskih baterija iz serija BLi i 40-B.
- Nemojte rastavljati punjač baterije.
- Nemojte upotrebljavati neispravnu ili oštećenu bateriju ni punjač baterije.
- Punjač baterije nemojte podizati za električni kabel. Za odspajanje punjača baterije od zidne utičnice izvucite utikač. Nemojte povlačiti kabel za napajanje.
- Uklonite bateriju prije održavanja, drugih provjera ili sastavljanja proizvoda.
- Rukovatelj smije provoditi samo radove održavanja i servisiranja opisane u ovom korisničkom priručniku. Za veća održavanja i servisiranje obratite se serviseru.
- Bateriju ili punjač baterije nikada nemojte čistiti vodom. Jači deterdžent može oštetiti plastiku.
- Ako ne provodite održavanje, smanjujete vijek trajanja stroja i povećavate opasnost od nezgoda.
- Sva servisiranja i popravci uvjetuju posebnu obuku, posebice oni na sigurnosnim uređajima na proizvodu. Ako nakon provedbe održavanja nisu odobrene sve provjere iz ovog korisničkog priručnika, obratite se serviseru. Jamčimo dostupnost profesionalnih popravaka i servisiranja za vaš proizvod.
- Koristite samo originalne rezervne dijelove.

## Sastavljanje

### Uvod



**UPOZORENJE:** Prije sklapanja proizvoda s razumijevanjem pročitajte poglavlje o sigurnosti.

### Postavljanje štitnika trimera

1. Postavite štitnik trimera uz kućište motora. (Sl. 28).
2. Postavite vijak kroz kućište motora i štitnik trimera. (Sl. 29)
3. Pritegnite vijak.

### Sastavljanje glave trimera

1. Okrećite izlaznu osovinu dok se otvor na pogonskom disku ne poravnava s otvorom na kućištu mjenjača.
2. Postavite zaporni klin u otvor da biste blokirali osovinu.
3. Okrećite glavu trimera u smjeru suprotnom od kazaljke na satu. (Sl. 30)

### Sastavljanje okrugle ručke

1. Vijak postavite u okruglu ručku. (Sl. 31)
2. Postavite okruglu ručku na pribor na osovini.

3. Zategnite vijke.
4. Namjestite okruglu ručku u ispravan položaj. Pročitajte odjeljak *Namještanje okrugle ručke i teleskopske osovine na stranici 177.*

### Ugradnja štitnika za biljke

1. Štitnik za biljke ugradite u otvore na kućištu motora. (Sl. 32)
2. Uvjerite se da se štitnik za biljke može slobodno pomicati naprijed i natrag. (Sl. 33)

### Postavljanje punjača baterije 40-C80 na zid



**OPREZ:** Punjač baterije na zid nemojte instalirati s pomoću ispitivača napona. Ispitivačem napona možete oštetiti punjač baterije.

1. Punjač baterije na zid postavite s 2 vijka (B). Ako je potrebno, primijenite tiple (A). (Sl. 34)
2. Postavite čepove provrta za vijke (C).
3. Kabel napajanja povežite s punjačem baterije i priključite na mrežnu utičnicu.

## Rad

### Uvod



**UPOZORENJE:** Prije upotrebe proizvoda pročitajte i usvojite poglavlje o sigurnosti.

### Prije rada s proizvodom

- Pregledajte radno područje kako biste se uvjerali da poznajete tu vrstu terena. Pregledajte nagib tla te provjerite ima li kakvih prepreka, kao što su kamenja, grane i rupe.
- Provedite opći pregled proizvoda.
- Provedite sigurnosne preglede, održavanje i servisiranje iz ovog priručnika.
- Provjerite ima li na motoru prljavštine i pukotina. Četkom s motora očistite travu i lišće. Po potrebi nosite rukavice.
- Pregledajte ima li na glavi trimera i štitniku za rezni pribor oštećenja ili pukotina. Zamijenite glavu trimera i štitnik za rezni pribor ako su udareni ili ako su napukli.
- Provjerite jesu li sve matice i vijci zategnuti.

- Prije pokretanja proizvoda provjerite jesu li svi poklopci, štitnici, ručke i rezni pribor neoštećeni i pravilno pričvršćeni.

### Baterija



**UPOZORENJE:** Prije upotrebe baterije pročitajte i usvojite poglavlje o sigurnosti. Pročitajte i usvojite korisnički priručnik za bateriju i punjač baterije.

Bateriju i punjač čuvajte na ispravnoj temperaturi okoline.

	Temperatura okoline
Rad baterije	5 °C – 40 °C / 41 °F – 104 °F
Punjenje baterije	5 °C – 40 °C / 41 °F – 104 °F



## Status baterije

(Sl. 35)

Na zaslonu se prikazuje stanje napunjenosti te postoje li problemi s baterijom.

LED indikator	Stanje baterije (stanje napunjenosti)	
	BLi10, BLi20	40-B70, 40-B140
Uključena su četiri LED indikatora	N/D	Baterija je napunjena 76% – 100%.
Uključena su tri LED indikatora	Baterija je napunjena 76% – 100%.	Baterija je napunjena 51% – 75%.
Uključena su dva LED indikatora	Baterija je napunjena 51% – 75%.	Baterija je napunjena 26% – 50%.
Uključen je jedan LED indikator	Baterija je napunjena 26% – 50%.	Baterija je napunjena 6% – 25%.
Trepće jedna LED žaruljica	Baterija je napunjena 0% – 25%.	Baterija je napunjena 0% – 5%.

## Zamjena baterije

Napunite bateriju pri prvoj upotrebi. Nova je baterija napunjena samo 30%.



**OPREZ:** Spojite punjač baterije samo na strujnu utičnicu s naponom i frekvencijom koji su navedeni na natpisnoj pločici.

Baterija se neće puniti ako je njezina temperatura veća od 50 °C / 122 °F.

1. Priključite punjač baterije na strujnu utičnicu.
2. Punjač baterije priključite na uzemljenu strujnu utičnicu. LED indikator punjenja zatrepće čez jedanput. (Sl. 36)
3. Priključite bateriju na punjač baterije. Uključuje se LED indikator punjenja. Bateriju puniti najdulje 24 sata. (Sl. 37)
4. Pritisnite gumb indikatora baterije kad svijetle svi LED indikator – baterija je potpuno napunjena.
5. Za odvajanje punjača baterije od strujne utičnice izvucite njegov strujni utikač. Nemojte povlačiti kabel za napajanje.
6. Izvadite bateriju iz punjača baterije.

## Priključivanje baterija na proizvod



**UPOZORENJE:** S proizvodom upotrebljavajte samo početnu bateriju tvrtke Husqvarna.

1. U potpunosti napunite bateriju.
2. Umetnite bateriju u držač baterije na proizvodu. Baterija se učvršćuje u položaju škljocajem. (Sl. 38)



**OPREZ:** Ako se baterija ne umeće lako u držač baterije, nije ispravno ugrađena. Tako možete oštetiti proizvod.

## Pokretanje proizvoda

1. Pritisnite i držite gumb za pokretanje/zaustavljanje dok se ne uključi zeleni LED indikator. (Sl. 39)
2. Pritisnite blokadu okidača paljenja i okidač paljenja. Rezna oprema počinje se okretati.

## Namještanje okrugle ručke i teleskopske osovine

1. Otpustite ručicu za zabavljanje i namjestite okruglu ručku u pravilan položaj. (Sl. 40)
2. Zatvorite ručicu za zabavljanje.
3. Otpustite polugu na osovini. (Sl. 41)
4. Postavite potrebnu duljinu na osovini. Trokut na osovini mora biti vidljiv. (Sl. 42)
5. Zatvorite poklopac i zategnite vijak.

**Napomena:** Nemojte postavljati okrugle ručke na Naljepnicu upozorenja na osovini.

## Upotreba funkcije SavE

Proizvod je opremljen funkcijom štednje energije pod nazivom SavE.

**Napomena:** Funkcija SavE ne umanjuje snagu rezanja proizvoda.

1. Pritisnite gumb SavE na tipkovnici.
2. Pričekajte da se uključi zeleni LED indikator.
3. Ponovno pritisnite gumb SavE kako biste prekinuli funkciju. Isključuje se zeleni LED indikator. (Sl. 43)

## Funkcija automatskog isključenja

Proizvod ima funkciju isključenja koja ga isključuje kada se ne upotrebljava. Zeleni LED indikator za pokretanje/zaustavljanje isključuje se, a proizvod se zaustavlja nakon 180 sekundi.

## Rad s proizvodom

### Podrezivanje trave

1. Glavu trimera držite neposredno iznad tla i pod kutom. Flaks trimera nemojte utiskati u travu. (Sl. 44)
2. Smanjite duljinu flaksa trimera za 10 – 12 cm / 4 – 4,75 in.
3. Smanjite broj okretaja kako biste smanjili rizik od oštećenja bilja.
4. Ako kosite travu u blizini predmeta, koristite 80 % gasa. (Sl. 45)

### Čišćenje trave

1. Glavu trimera držite iznad tla.
2. Nagnite glavu trimera.
3. Oko predmeta u radnom području režite s krajem flaksa trimera.



**OPREZ:** Režite travu. Ako flaksom trimera udarate u druge predmete, pojačavate trošenje flaksa trimera.

### Košenje trave

1. Flaks trimera tijekom košenja treba biti paralelan s tlom. (Sl. 46)
2. Glavu trimera nemojte pritiskati na tlo. Tako možete oštetiti proizvod.
3. Pri košnji trave pomičite proizvod s jedne na drugu stranu. Radite s punim gasom. (Sl. 47)

## Čišćenje trave

Tok zraka rotirajućeg flaksa trimera možete upotrijebiti za uklanjanje odrezane trave iz područja.

1. Glavu trimera i flaks držite paralelno iznad tla.
2. Dajte puni gas.
3. Pomičite glavu trimera s jedne na drugu stranu kako biste počistili travu.



**UPOZORENJE:** Pri svakom postavljanju novog flaksa trimera očistite poklopac glave trimera kako biste spriječili neuravnoteženost i vibracije na ručkama. Također pregledajte druge dijelove glave trimera i po potrebi ih očistite.

## Zaustavljanje proizvoda

1. Otpustite okidač paljenja i blokadu okidača paljenja.
2. Pritisnite i držite gumb za pokretanje/zaustavljanje dok se ne isključi zeleni LED indikator.
3. Pritisnite gumb za otpuštanje na bateriji i izvadite bateriju iz proizvoda. (Sl. 48)

## Zamjena flaksa trimera

Pogledajte posljednju stranicu u ovom korisničkom priručniku.

## Održavanje

### Uvod



**UPOZORENJE:** Prije održavanja proizvoda pročitajte i usvojite sigurnosno poglavlje.

U nastavku je popis koraka održavanja neophodnih za održavanje proizvoda. Više informacija potražite u odjeljku *Održavanje na stranici 178*.

### Raspored održavanja



**UPOZORENJE:** Prije održavanja izvadite bateriju.

Održavanje	Dnevno	Tjedno	Mjesečno
Vanjske dijelove proizvoda očistite suhom krpom. Nemojte prati vodom.	X		
Provjerite radi gumb za pokretanje/zaustavljanje ispravno te je li neoštećen.	X		
Iz sigurnosnih razloga provjerite ispravnost okidača paljenja i blokade okidača paljenja.	X		
Provjerite rade li sve komande ispravno i jesu li neoštećene.	X		
Ručke moraju biti suhe, očišćenje od ulja i masti.	X		

Održavanje	Dnevno	Tjedno	Mjesečno
Provjerite je li rezni pribor neoštećen. Ako je rezni pribor oštećen, zamijenite ga.	X		
Provjerite je li štitnik za rezni pribor neoštećen. Ako je štitnik za rezni pribor oštećen, zamijenite ga.	X		
Provjerite jesu li vijci i matice pritegnuti.	X		
Provjerite rade li gumbi za otpuštanje na bateriji i pričvršćuju li bateriju u proizvodu.	X		
Provjerite je li punjač baterije neoštećen te radi li ispravno.	X		
Provjerite je li baterija neoštećena.	X		
Provjerite je li baterija napunjena.	X		
Provjerite je li punjač baterije neoštećen.	X		
Pregledajte sve kabele, spojnice i priključke. Uvjerite se kako su neoštećeni i čisti.		X	
Provjerite spojeve između baterije i proizvoda. Provjerite spoj između baterije i punjača.			X

### Pregled baterije i punjača baterije

1. Provjerite ima li na bateriji oštećenja, primjerice pukotina.
2. Provjerite ima li na punjaču baterije oštećenja, primjerice pukotina.
3. Provjerite je li priključni kabel punjača baterije neoštećen te je li ispucao.

### Čišćenje proizvoda, baterije i punjača baterije

1. Proizvod nakon upotrebe očistite suhom krpom.
2. Bateriju i punjač baterije čistite suhom krpom. Vodilice za bateriju održavajte čistima.

3. Prije umetanja baterije u punjač baterije ili proizvod provjerite jesu li čisti priključci baterije i punjača baterije.

### Pregled i zamjena glave trimera

1. Provjerite ima li na glavi trimera oštećenja ili pukotina.
2. Izvucite sklop žlijeba za flaks trimera.
3. Uklonite glavu trimera. (Sl. 49)
4. Zamijenite glavu trimera.
5. Postavite glavu trimera. Pogledajte *Sastavljanje glave trimera na stranici 176*.

## Rješavanje problema

### Tipkovnica

LED zaslon	Moguće pogreške	Moguća rješenja
Trepće LED indikator za pogreške.	Preopterećenje	Rezni pribor ne može se slobodno pomicati. Otpustite priključak za rezanje.
	Odstupanje temperature	Pričekajte na hlađenje proizvoda.
Proizvod se ne pokreće.	Pritisnite okidač paljenja i istovremeno pritisnite dugme za paljenje.	Otpustite okidač paljenja i zaustavite proizvod.
Uključuje se crveni LED indikator pogreške.	Nužno je servisirati proizvod	Razgovarajte sa svojim servisnim zastupnikom.

## Baterija

LED zaslon	Moguće pogreške	Moguća radnja
Trepće zeleni LED indikator.	Nizak napon baterije.	Napunite bateriju.
Trepće LED indikator za pogreške.	Odstupanje temperature.	Bateriju upotrebljavajte u rasponu temperatura od -10°C (14°F) i 40°C (104°F).
	Prevelik napon.	Provjerite odgovara li napon mreže naponu navedenom na natpisnoj pločici proizvoda.
		Izvadite bateriju iz punjača baterije.
Uključen je LED indikator za pogreške.	Prevelika razlika između ćelija (1 V).	Razgovarajte sa svojim servisnim zastupnikom.

## Punjač baterije

Problem	Moguće pogreške	Moguće rješenje
LED indikator punjenja crvene je boje.	Trajni problem punjača baterije.	Obratite se zastupniku.
LED indikator punjenja trepće zelenom bojom.	Odstupanje od temperature, baterija je ili prehladna ili prevruća za upotrebu ili punjenje.	Pustite da se baterija ohladi ili zagrije. Kada baterija postigne pravu temperaturu, možete je ponovo upotrebljavati ili puniti. Punjač baterije upotrebljavajte na temperaturi okoline između 5 °C (41 °F) i 40 °C (104 °F).
LED indikator punjenja trepće crvenom bojom.	Neispravna baterija.	Obratite se zastupniku.

---

## Prijevoz, spremanje i zbrinjavanje

---

### Prijevoz i skladištenje

- Isporučene litij-ionske baterije podliježu zahtjevima propisa o opasnim proizvodima.
- Pridržavajte se posebnih zahtjeva o pakiranju i označavanju u komercijalnom transportu, uključujući treće strane i prijevoznike.
- Prije slanja proizvoda obratite se osobi s posebnom obukom za opasni materijal. Pridržavajte se svih mjerodavnih nacionalnih propisa.
- Kada bateriju stavljate u pakiranje, otvorene kontakte prelijepite trakom. Učvrstite bateriju u pakiranju kako biste onemogućili pomicanje.
- Izvadite bateriju prilikom prijevoza ili skladištenja.
- Bateriju i punjač baterije spremite u suh prostor bez vlage i mraza.
- Bateriju nemojte spremite u prostor u kojem može nastati statički elektricitet. Bateriju nemojte čuvati u metalnoj kutiji.
- Bateriju uskladištite na mjestu s temperaturom između 5 °C / 41 °F i 25 °C / 77 °F te izvan izravnog sunčeva svjetla.
- Punjač baterije uskladištite na mjestu s temperaturom između 5 °C / 41 °F i 45 °C / 113 °F te izvan izravnog sunčeva svjetla.
- Punjač baterije upotrebljavajte samo pri temperaturama okoline između 5 °C / 41 °F i 40 °C / 104 °F.
- Prije dugotrajnog skladištenja bateriju napunite na 30 % do 50 %.
- Punjač baterije uskladištite u zatvorenom i suhom prostoru.

- Tijekom skladištenja bateriju držite podalje od punjača baterije. Djeci i drugim neovlaštenim osobama onemogućite dodirivanje opreme. Opremu spremite u prostor koji možete zaključati.
- Prije dugotrajnog skladištenja proizvoda očistite ga i provedite cjeloviti servis.
- Na proizvod prije transporta i skladištenja postavite prijenosni štitičnik kako biste spriječili ozljede ili oštećenje proizvoda.
- Čvrsto pričvrstite proizvod tijekom transporta.

## Zbrinjavanje baterije, punjača baterije i proizvoda

Oznake na proizvodu ili ambalaži proizvoda znače da se proizvod ne pripada u komunalni otpad. Reciklirajte ga u reciklažnoj stanici za električnu i elektroničku opremu. Tako sprječavate oštećenje okoliša i ozljeđivanje osoba.

Više informacija o recikliranju proizvoda zatražite od lokalnih vlasti, komunalne službe ili distributera.

## Tehnički podaci

### Tehnički podaci

	<b>215iL</b>
<b>Motor</b>	
Vrsta motora	BLDC
Broj okretaja izlazne osovine, o/min	6800
Širina rezanja, mm	310
<b>Težina</b>	
Težina bez baterije, kg	2,9
<b>Emisije buke</b> <sup>31</sup>	
Razina jačine zvuka, mjerena u dB (A)	90,5
Razina jačine zvuka, zajamčena L <sub>WA</sub> dB (A)	92
<b>Razine buke</b> <sup>32</sup>	
Ekvivalentna razina buke pri uhu rukovatelja, mjerena u skladu sa standardom EN ISO 50636-2-91, dB (A)	74,9
<b>Razine vibracije</b> <sup>33</sup>	
Razine vibracija na ručkama, izmjerene sukladno normi EN50636-2-91, m/s <sup>2</sup>	4,5/2,7
Opremljeno glavom trimera (original), sprijeda/straga.	

### Baterije odobrene za proizvod

Baterija	BLi10	BLi20	40-B70	40-B140
Vrsta	Litij-ion	Litij-ion	Litij-ion	Litij-ion

<sup>31</sup> Emisije buke u okoliš izmjerene kao jačina zvuka (L<sub>WA</sub>) u skladu s Direktivom EZ 2000/14/EC. Razlika između zajamčene i izmjerene razine zvuka jest da zajamčena razina uključuje i raspršenje rezultata mjerenja i varijacija između različitih proizvoda istog modela u skladu s Direktivom 2000/14/EZ.

<sup>32</sup> Navedeni podaci za ekvivalentnu razinu tlaka zvuka za proizvod obuhvaćaju tipično statističko raspršenje (standardno odstupanje) od 2,5 dB (A).

<sup>33</sup> Podaci o razini vibracije pokazuju tipičnu statističku disperziju (standardnu devijaciju) od 1,5 m/s<sup>2</sup>.

Baterija	BLi10		BLi20		40-B70	40-B140
Kapacitet baterije, Ah	Pogledajte nazivnu naljepnicu baterije		Pogledajte nazivnu naljepnicu baterije		Pogledajte nazivnu naljepnicu baterije	Pogledajte nazivnu naljepnicu baterije
Nazivni napon, V	36.	36,5	36.	36,5	36.	36.
Težina, lb/kg	0,7	0,7	1,2	1,2	0,8	1,25

### Odobreni punjači baterije za proizvod

Punjač baterije	QC80	40-C80
Mrežni napon, V	100 – 240	100 – 240
Frekvencija, Hz	50 – 60	50 – 60
Snaga, W	100	72
Izlazni napon, V i. s. / Amperi, A	36/2	43/1,6

---

## Dodatna oprema

---

### Odobrena dodatna oprema

Odobrena dodatna oprema	Vrsta	Štitnik za rezni nastavak, kat. br.
Glava trimera	R25B (žica Ø 2 mm)	529 96 69-01

## Izjava o sukladnosti

### Izjava o sukladnosti za EU

Mi, **Husqvarna AB**, SE-561 82 Huskvarna, Švedska, tel.:  
+46-36-146500, pod punom odgovornošću izjavljujemo  
da proizvod:

<b>Opis</b>	Baterijski trimer za travu
<b>Marka</b>	Husqvarna
<b>Vrsta/model</b>	215iL
<b>Identifikacija</b>	Serijski brojevi iz 2024 i noviji

u potpunosti su sukladni sljedećim EU direktivama i  
propisima:

Direktiva/ propis	Opis
2006/42/EC	„o strojevima“
2014/30/EU	„koja se odnosi na elektromagnetsku kompatibilnost“
2000/14/EC	„koja se odnosi na emisije buke u okoliš“
2011/65/EU	„o ograničenoj upotrebi određenih opasnih tvari u električnoj i elektroničkoj opremi“

i primjenjuju se sljedeće norme i/ili tehničke  
specifikacije: EN 60335-1:2012/A15:2021, EN  
50636-2-91:2014, EN IEC 63000:2018, EN IEC  
55014-1:2021; EN IEC 55014-2:2021.

Prijavljeno tijelo: 0197 TÜV Rheinland LGA Products  
GmbH, Tillystraße 2, 90431 Nürnberg, Germany ,  
certificiralo je sukladnost s Direktivom Vijeća  
2000/14/EC, postupak kontrole kvalitete: Dodatak VI.

Informacije o emisiji buke potražite u *Tehnički podaci na  
stranici 181*.

Huskvarna, 2024-02-01

Claes Losdal, Menadžer odjela za istraživanje i razvoj,  
Husqvarna AB

Osoba odgovorna za tehničku dokumentaciju



## TARTALOMJEGYZÉK

Bevezető.....	184	Szállítás, tárolás és ártalmatlanítás.....	196
Biztonság.....	185	Műszaki adatok.....	197
Összeszerelés.....	191	Tartozékok.....	198
Üzemeltetés.....	192	Megfelelőségi nyilatkozat.....	199
Karbantartás.....	194	Melléklet .....	454
Hibaelhárítás.....	195		

---

## Bevezető

---

### Termékleírás

A Husqvarna215iL egy elektromos motorral rendelkező, akkumulátoros fűszegélynyíró.

Folyamatosan dolgozunk azon, hogy javítani tudjuk az ügyfeleink használat közbeni biztonságát és hatékonyságát. További tájékoztatásért forduljon az illetékes szakszervizhez.

### Rendeltetésszerű használat

A termék nem fémből készült vágódamillal, nem fémből készült zsinórral vagy ezekkel egyenértékű, nem

fémből készült rugalmas vágóelemekkel használható. Ne használja a terméket gyom, fű vagy hasonló, puha növényzet nyírásától eltérő feladatra.

---

**Megjegyzés:** A termék működtetésére nemzeti jogszabályok általi korlátozások vonatkozhatnak.

---

### A termék áttekintése

(ábra 1)

1. Damilfej
2. A vágófelszerelés védőburkolata
3. Nyél
4. Nyélbeállítás (teleszkóp)
5. Hurokfogantyú
6. Billentyűzet
7. Billentyűzet figyelmeztetésjelzője
8. Indító-/leállítógomb
9. SavE gomb
10. Kapcsológomb
11. Kapcsológomb retesze
12. Bekapcsolás- és figyelmeztetésjelző
13. Csatlakozó
14. Akkumulátortöltő, 40-C80
15. Akkumulátortöltő, QC80
16. Hálózati csatlakozókábel
17. Növényvédő
18. Akkumulátor figyelmeztetésjelzője
19. Az akkumulátor állapota
20. Akkumulátorjelző gomb
21. Akkumulátorkioldó gombok
22. Akkumulátor
23. Kombinált kulcs
24. Kezelői kézikönyv

(ábra 4) Viseljen védőszemüveget.

(ábra 5) Óvja a terméket az esőtől.

(ábra 6) A környezeti zajkibocsátásra vonatkozó címke az EU-s (beleértve a New South Wales területén érvényes szabályozást) és az egyesült királyságbeli irányelveknek és szabályozásoknak megfelelően. A zajszennyezésre vonatkozó adatok a gép címkéjén és a Műszaki adatok című fejezetben találhatóak.

(ábra 7) Tartsa távol a közelben tartózkodó személyeket a terméktől.

(ábra 8) Karbantartás előtt válassza le az akkumulátort.

(ábra 9) A termék és a termék csomagolása nem minősül háztartási hulladéknak. Újrahasznosítását egy elektromos és elektronikus berendezések újrahasznosítására szolgáló ponton kell elvégezni.

(ábra 10) Ez a termék megfelel a vonatkozó EU-irányelveknek.

(ábra 11) A termék megfelel a vonatkozó egyesült királyságbeli irányelveknek.

(ábra 12) Egyenáram.

### A terméken található jelzések

(ábra 2) **FIGYELMEZTETÉS:** A termék veszélyes lehet a kezelőre és másokra, valamint a súlyos sérüléseket és halálukat okozhatja. Körültekintően járjon el, és megfelelően használja a terméket.

(ábra 3) Olvassa el figyelmesen a használati utasítást, és győződjön meg arról, hogy megértette azt, mielőtt a terméket használatba veszi.

**ééééhxxxx**

A típustáblán vagy a lézernyomtatott jelölésen megtalálható a sorozatszám. **éééé** a gyártási év és **hh** pedig a gyártási hét.



## Szimbólumok az akkumulátoron, illetve az akkumulátortöltőn

(ábra 16)

A termék újrahazsnoítását elektromos és elektronikus be-  
rendezések újrahazsnoítására  
szolgáltató ponton kell elvégez-  
ni. (Kizárólag Európára vonat-  
kozik)

(ábra 13)

Meghibásodásbiztos transzformátor.

(ábra 14)

Az akkumulátortöltőt kizárólag beltérben  
szabad használni és tárolni.

(ábra 15) Kettős szigetelés.

## A termék károsodása

A termékben keletkezett károkért nem vállalunk  
felelősséget, amennyiben:

- a termék javítását helytelenül végezték;
- a termék javítása nem a gyártótól származó vagy  
általa jóváhagyott alkatrészekkel történt;
- a terméket nem a gyártótól származó vagy általa  
jóváhagyott kiegészítővel szerelték fel;
- a termék javítását nem hivatalos szakszerviz vagy  
jóváhagyott egyéb szerviz végezte.

## Biztonság

### Biztonsági meghatározások

A figyelmeztetések, óvintézkedések és megjegyzések a  
használati utasítás kiemelten fontos részeire hívják fel a  
figyelmet.



**FIGYELMEZTETÉS:** Akkor  
használatos, ha a kézikönyv utasításainak  
be nem tartása esetén fennáll a kezelő vagy  
a közelben tartózkodók sérülésének vagy  
halálának veszélye.



**VIGYÁZAT:** Akkor használatos, ha a  
kézikönyv utasításainak be nem tartása  
esetén fennáll a vagyoni kár, illetve a termék  
vagy a környező terület károsodásának  
veszélye.

**Megjegyzés:** További információt biztosít az adott  
helyzetben szükséges tennivalóról.

### A motoros szerszámmal kapcsolatos általános biztonsági figyelmeztetések



**FIGYELMEZTETÉS:** Olvassa el  
az összes biztonsági figyelmeztetést és  
az összes utasítást. A figyelmeztetések  
és az utasítások figyelmen kívül hagyása  
áramütést, tüzet és/vagy komoly sérülést  
okozhat.

**Megjegyzés:** Tegyen el minden figyelmeztetést  
és utasítást, mert a jövőben szüksége lehet rájuk. A  
„motoros szerszám” kifejezés a figyelmeztetésekben  
a hálózatról működő (vezetékes) motoros szerszámra  
vagy az akkumulátorról működő (vezeték nélküli)  
motoros szerszámra vonatkozik.

### Indítás előtti ellenőrzés

- Mindig vegye ki az akkumulátort annak biztosítására,  
hogy a termék ne indulhasson be véletlenül.  
Karbantartás előtt mindig vegye ki az akkumulátort  
a termékből.
- A termék használata előtt, illetve ütközés után  
ellenőrizze, hogy nem láthatók-e a terméken  
kopás vagy sérülés nyomai, és szükség esetén  
gondoskodjon a javításról.
- Ellenőrizze a munkaterületet. Távolítsa el minden  
mozdítható tárgyat, pl. köveket, üvegcserepeket,  
szögeket, fémdrótokat, zsinigekeket, stb., amelyeket  
a vágófej vagy a vágófelszerelés felkaphat, vagy  
amelyek esetleg a felszerelésre csavarodhatnak.
- Ellenőrizze, nem piszkos-e a motor, és nincs-e rajta  
repedés. Kéfével tisztítsa meg a motort a fűtől és  
levelektől. Ha szükséges, viseljen kesztyűt.
- Ellenőrizze, teljesen fel van-e helyezve a damilfej a  
fűszegélynyíróra.
- Ellenőrizze, hogy a termék teljes mértékben  
működőképes állapotban van-e. Ellenőrizze, hogy az  
anyák és csavarok szorosan meg vannak-e húzva.
- Ellenőrizze, hogy a damilfej és a damilfej-  
védőburkolat sértetlen-e, és hogy nincsenek-e  
rajtuk repedések. Cserélje ki a damilfejet és a  
damilfej-védőburkolatot, ha azok ütésnek lettek  
kitéve, vagy ha repedések vannak rajtuk. Mindig a  
vágófelszereléshez javasolt pengevédőt használja.  
Lásd a Műszaki adatok című fejezetet.
- A termék kezelője ügyeljen arra, hogy a munka  
során se ember, se állat ne jöjjön 15 m-nél  
közelebb. Ha ugyanazon a munkaterületen többen  
is dolgoznak, a biztonsági távolságnak legalább 15  
méternek kell lennie.
- Használat előtt végezzen általános ellenőrzést a  
terméken. Lásd a karbantartási ütemezést.
- A használatot nemzeti vagy helyi előírások  
szabályozhatják. Tartsa be a vonatkozó előírásokat.

## A munkaterület biztonsága

- **Tartsa a munkaterületet tisztán és világítsa meg jól.** A zsúfolt vagy sötét területeken könnyen bekövetkeznek balesetek.
- **Ne működtesse a motoros szerszámot robbanásveszélyes környezetben, pl. gyúlékony folyadékok, gázok vagy por jelenlétében.** A motoros szerszám szikrát vehet, amely begyújthatja a port vagy a kipárolgást.
- **Tartsa távol a gyermekeket és a szemlélődőket a motoros szerszám működtetése közben.** A figyelem elvonása miatt elvesztheti az uralmát a szerszám felett.

## Elektromos biztonság

- **A motoros szerszám dugaszának illeszkednie kell az aljzatba. A dugón soha semmilyen átalakítást ne végezzen. Ne használjon adapter dugaszt a földelt motoros szerszámokhoz.** Kisebb az áramütés veszélye, ha eredeti dugókat és hozzájuk illő aljzatokat használ.
- **Kerülje el a földelt felületekkel, pl. csövekkel, radiátorokkal, tűzhelyekkel és hűtőszekrényekkel való érintkezést.** Megnövekszik az áramütés veszélye, ha a teste le van földelve.
- **Ne tegye ki a motoros szerszámot esőnek, és ne tartsa azt nedves környezetben.** A gépbe jutó víz növeli az áramütés kockázatát.
- **Ne bányon durván a kábellel. Soha ne használja a kábelt a motoros szerszám hordozására, húzására vagy a dugasz kihúzására. Tartsa távol a kábelt hőtől, olajtól, éles széléktől vagy mozgó alkatrészekről.** A sérült vagy összegabalyodott kábelek megnövelik az áramütés kockázatát.
- **Ha kültéren használja a motoros szerszámot, használjon kültéri használatra megfelelő hosszabbítókábelt.** A kültéri alkalmazáshoz megfelelő hosszabbító használata csökkenti az áramütés veszélyét.
- **Ha a szerszámgépet feltétlenül nedves helyen kell használni, alkalmazzon életvédelmi relével (RCD) védett tápellátást.** Az RCD használatával csökkenthető az áramütés kockázata.

## Személyes biztonság

- **Legyen elővigyázatos, figyeljen arra, amit csinál, és használja a józan eszét a motoros szerszám működtetése során. Ne használja a motoros szerszámot, ha fáradt, vagy ha gyógyszer, gyógykezelés vagy alkohol hatása alatt áll.** A szerszám működése közben egy pillanatnyi figyelemkiesés súlyos személyi sérülést okozhat.
- **Használjon személyi védőfelszerelést. Mindig használjon szemvédőt.** A megfelelő környezetben a védőfelszerelések, például a pormaszk, a csúszásgátló védőcipő, a kemény fejdő és a fülvédő használata csökkenti a személyi sérülések kockázatát.

- **Akadályozza meg a véletlen indítást. Ellenőrizze, hogy a főkapcsoló kikapcsolt állásban van-e, mielőtt csatlakoztatja az áramforrást és/vagy az akkumulátort, illetve felveszi vagy szállítja a szerszámot.** Az ujjja kapcsolón tartásával vagy a bekapcsolt motoros szerszám áram alá helyezésével balesetet okozhat.
- **Távolítsa el minden beállító kulcsot vagy csavarkulcsot, mielőtt bekapcsolná a motoros szerszámot.** A motoros szerszám forgó alkatrészéhez csatlakozó kulcs vagy más szerszám személyi sérülést okozhat.
- **Ne nyúljon át a gépen. Mindig szilárdan álljon a talajon, és őrizze meg az egyensúlyát.** Így jobban uralhatja a motoros szerszámot váratlan helyzetekben.
- **Öltözködjön megfelelően. Ne viseljen ékszereket, rövidnadrágot, szandált, illetve ne legyen mezítáb. Tartsa távol a haját és ruházatát a mozgó alkatrészekről.** A mozgó alkatrészek bekapathatják a laza ruhát, az ékszert vagy a hosszú haját.
- **Ha a készülékhez csatlakoztatható porgyűjtő berendezés, akkor mindig csatlakoztassa és használja azt.** A porgyűjtő alkalmazása csökkenti a porral kapcsolatos veszélyeket.
- **A szerszámok rendszeres használatából adódó tapasztalata ne vezessen oda, hogy a terméket könnyelműen, a szerszám-biztonsági alapelvek figyelmen kívül hagyásával működteti.** Egy gondatlanul kivitelezett művelet akár egy századmásodperc alatt is súlyos sérüléshez vezethet.
- **A szerszámgép használata során kibocsátott rezgések értéke a használat módjától függően eltérhet a deklarált teljes értéktől. A kezelőknek meg kell határozniuk a biztonsági intézkedéseket önmaguk védelme érdekében az adott használati körülmények közötti becsült kitettség alapján (figyelembe véve az üzemi ciklus minden részét, tehát azt is, amikor a szerszám ki van kapcsolva, illetve amikor üresjárásban működik).**

## A motoros szerszám használata és karbantartása

- **Ne erőltesse a motoros szerszámot. Használjon a feladathoz megfelelő motoros szerszámot.** A megfelelő szerszámgép jobb és biztonságosabb munkát fog végezni azon a sebességen, amire tervezték.
- **Ne használja a motoros szerszámot, ha a kapcsoló nem kapcsolja ki vagy be.** A kapcsolóval nem vezérelhető szerszámgépek veszélyesebbek és javítandók.
- **Húzza ki a dugaszt az áramforrásból és/vagy vegye ki az akkumulátort (amennyiben kivethető), ha bármilyen beállítást végez, kicserél egy tartozékot vagy tárolja a motoros szerszámot.** Az ilyen megelőző biztonsági intézkedések csökkentik a motoros szerszám véletlen elindításának veszélyét.

- **A nem használt motoros szerszámot tartsa távol a gyerekektől, és ne engedje, hogy olyan személyek működtessék, akik nem ismerik a motoros szerszámot és ezeket az utasításokat.**  
A motoros szerszámok képzetlen felhasználók kezében veszélyt jelentenek.
- **Végezze el a szerszámgépek és tartozékok karbantartását. Ellenőrizze a mozgó alkatrészek hibás elhelyezkedését és rögzítését, az alkatrészek sérülését, és minden olyan állapotot, amely hatással lehet a szerszám működésére. Ha sérült, javíttassa meg a motoros szerszámot használat előtt.** A rosszul karbantartott motoros szerszámok rengeteg balesetet okoznak.
- **Tartsa élesen és tisztán a vágószerszámokat.** A megfelelően karbantartott, éles vágószerszámok kevésbé hajlamosak a beszorulásra, és könnyebb kezelni őket.
- **A szerszámot, a tartozékokat és az alkatrészeket stb. ezen utasításokkal összhangban használja, vegye figyelembe a munkakörülményeket és az elvégzendő feladatot.** Ha a szerszámgépet másféle tevékenységre használják, mint amire tervezték, veszélyes helyzet állhat elő.
- **A fogantyúkat és fogófelületeket tartsa szárazon, tisztán, olaj- és zsírmentesen.** A csúszós fogantyúk és fogófelületek nem teszik lehetővé a szerszám biztonságos kezelését és irányítását váratlan helyzetekben.

## Az akkumulátor használata és karbantartása

- **Csak a gyártó által meghatározott töltővel töltsse.** Az a töltő, amelyik az egyik típusú akkumulátorhoz használható, tűzveszélyes lehet, ha másik típusú akkumulátorral használják.
- **A termékeket csak a típusuknak megfelelő akkumulátorokkal használja.** Bármilyen más típusú akkumulátor használata sérülés- és tűzveszélyes.
- **Amikor az akkumulátort nem használja, tartsa távol más fémtárgyaktól, például gémkapcsoktól, érméktől, kulcsoktól, tüktől, csavaroktól vagy más kisebb fémtárgyaktól, amelyek összekapcsolhatják a sarukat.** Az akkumulátorsaruk rövidre zárása égést vagy tüzet okozhat.
- **Nem megfelelő körülmények hatására az akkumulátorból folyadék szivároghat ki. Kerülje az érintkezést. Ha ez véletlenül mégis megtörténik, öblítse le vízzel. Ha a folyadék szembe kerül, forduljon orvoshoz.** Az akkumulátorból távozó folyadék irritációt vagy égési sérülést okozhat.
- **Ne használjon sérült vagy módosított akkumulátort vagy szerszámot.** A sérült vagy módosított akkumulátorok kiszámíthatatlanul viselkedhetnek, ami tüzet, robbanást vagy sérülést okozhat.
- **Az akkumulátort vagy szerszámot ne tegye ki tűznek vagy túl magas hőmérsékletnek.** A tűznek való kitettség, illetve a 130 °C feletti hőmérséklet robbanást okozhat.
- **Kövesse a töltésre vonatkozó utasításokat, és ne töltsse az akkumulátort vagy a szerszámot az**

utasításokban megadott hőmérséklet-tartományon kívül. A nem megfelelő, illetve a megadott tartományon kívül eső hőmérsékleten való töltés károsíthatja az akkumulátort és növeli a tűzveszélyt.

## Szervizelés

- **A motoros szerszám szervizelését képzett szerelővel végeztesse el, aki kizárólag eredeti cserealkatrészeket használ.** Így fenntartható a motoros szerszám biztonsága.
- **Soha ne szervizelje a sérült akkumulátort.** Az akkumulátor szervizelését csak a gyártó vagy egy hivatalos szolgáltató végezheti el.

## Mindig próbáljon előrelátóan gondolkodni.

Lehetetlen az összes elképzelhető helyzetet ismertetni. Mindig megfontoltan és előrelátóan tevékenykedjen. Kerülje az olyan helyzeteket, amelyek saját megítélése szerint meghaladják a képességeit. Ha a jelen kézikönyv elolvasása után is bizonytalannak érzi magát az üzemeltetési eljárásokkal kapcsolatban, a folytatás előtt kérje ki egy szakértő véleményét.



**FIGYELMEZTETÉS:** Soha ne engedje, hogy gyermekek használják a gépet, vagy a gép közelében tartózkodjanak. Mivel a gép könnyen indul, szigorú felügyelet nélkül a gyermekek könnyen beindíthatják. Ez súlyos személyi sérüléshez vezethet. Ezért mindig válassza le az akkumulátort, ha nem tud folyamatosan felügyelni a gépre.

## Általános biztonsági utasítások



**FIGYELMEZTETÉS:** A termék használata előtt olvassa el az alábbi figyelmeztetéseket.

- Vegye ki az akkumulátort annak biztosítására, hogy a termék ne indulhasson be véletlenül.
- Ez a termék veszélyes szerszám, ha nem körültekintően járnak el a használata során, vagy nem megfelelőképpen használják. A gép a kezelő és mások súlyos sérülését és halálát is okozhatja.
- Ne használja a terméket, ha megváltozott az eredeti specifikációja. Ne cseréljen a termékben alkatrészt a gyártó jóváhagyása nélkül. Csak a gyártó által jóváhagyott alkatrészeket használjon. A nem megfelelő karbantartás súlyos, akár végzetes sérüléssel is járhat.
- Használat előtt ellenőrizze a terméket. Lásd: *Indítás előtti ellenőrzés 185. oldalon* és *A termék működtetése előtt 192. oldalon*. Ne használja a sérült vagy nem megfelelően működő terméket. Végezze el a jelen használati utasításban előírt ellenőrzési, karbantartási és szervizmunkálatokat.
- Biztosítsa, hogy gyermekek ne játsszanak a termékkel. Soha ne engedje, hogy gyermek vagy a

termék használatában nem jártas személy használja vagy szervelje a terméket, illetve az akkumulátort. A helyi törvények szabályozhatják a kezelő korát.

- Tartsa a terméket zárható helyen, ahol gyermek vagy jogosulatlan személy nem férhet hozzá.
- A termék gyermekektől elzárva tartandó.
- A termék eredeti kivitelezésén a gyártó cég engedélye nélkül semmilyen módosítást sem szabad végezni. Mindig eredeti tartozékokat használjon. A nem engedélyezett módosítások és/ vagy pótalkatrészek komoly sérülésekhez, illetve akár a kezelő vagy más személyek halálához is vezethetnek.

**Megjegyzés:** A használatot országos vagy helyi törvények szabályozhatják. Tartsa be a vonatkozó előírásokat.

## Biztonsági utasítások az üzemeltetéshez



**FIGYELMEZTETÉS:** A termék használata előtt olvassa el az alábbi figyelmeztetéseket.

- **Rossz időjárási körülmények között – főleg villámás veszélye esetén – ne használja a gépet.** Ez csökkenti a villámcsapás veszélyét.
- **Alaposan vizsgálja meg vadvilág szempontjából azt a területet, ahol a gépet használni kívánja.** A vadon élő állatok megsérülhetnek a gép működése közben.
- **Alaposan vizsgálja át a területet, ahol a gépet használni kívánja, és távolítsa el minden követ, botot, drótot, csontot és egyéb idegen tárgyat.** A felcsapódó tárgyak súlyos személyi sérülést okozhatnak.
- **A gép használata előtt mindig ellenőrizze szemrevételezéssel, hogy a vágófej és a vágószerkezet nem sérült-e meg.** A sérült alkatrészek növelik a sérülésveszélyt.
- **Tartsa a védőburkolatokat a helyükön. A védőburkolatoknak működőképesnek kell lenniük, és megfelelően kell felszerelni őket.** A meglazult, sérült vagy nem megfelelően funkcionáló védőburkolat személyi sérülést okozhat.
- **Minden hűtőlevegő bemeneti nyílást tartson tömrelékektől mentesen.** Az eltömődött levegőbemeneti nyílások és a tömrelék túlmelegedést vagy tűzveszélyt okozhatnak.
- **Viseljen szem- és fülvédő felszerelést.** A megfelelő védőfelszerelés csökkenti a személyi sérülések kockázatát.
- **A gép működtetése közben mindig viseljen csúszásmentes munkavédelmi lábbelit. Ne használja a gépet mezítláb vagy nyitott sandálban.** Ez csökkenti a mozgó vágófejjel való érintkezés miatti lábsérülés kockázatát.

- **A gép működtetése közben mindig viseljen olyan ruházatot, például nadrágot, amely takarja a kezelő lábát.** A mozgó vágófejjel vagy damillal való érintkezés sérülést okozhat.
- **A gép működtetése közben tartsa távol a járókelőket.** A kirepülő hulladék súlyos személyi sérülést okozhat.
- **Ne működtesse a gépet derékmagasság felett.** Így megakadályozhatja, hogy a vágófej véletlenül hozzáérjen valamihez, és váratlan helyzetben megőrizheti uralmát a gép felett.
- **Legyen óvatos, amikor a gépet nedves fűvön üzemelteti. Sétáljon, soha ne fusson.** Ez csökkenti az esetleges személyi sérüléshez vezető elcsúszás vagy elesés kockázatát.
- **Ne üzemeltesse a gépet túlságosan meredek lejtőkön.** Ez csökkenti az esetleges személyi sérüléshez vezető irányítvesztés, elcsúszás vagy elesés kockázatát.
- **Ha lejtőn dolgozik, mindig ügyeljen arra, hogy stabilan áll, mindig a lejtőn keresztben dolgozzon, soha ne felfelé vagy lefelé, és irányváltáskor legyen rendkívül óvatos.** Ez csökkenti az esetleges személyi sérüléshez vezető irányítvesztés, elcsúszás vagy elesés kockázatát.
- **A táp- és egyéb kábeleket tartsa távol a vágási területtől.** Előfordulhat, hogy a sövényektől és bokroktól nem látja a táp- és egyéb kábeleket, így véletlenül elvághatja vagy megsértheti azokat a damillal vagy vágófejjel.
- **Minden testrészét tartsa távol a vágófej késétől vagy a damiltól. Ne távolítsa el anyagot a gépből, amíg az nincs leválasztva az áramforrásról.** A mozgó vágófej vagy damil súlyos személyi sérülést okozhat.
- **A gépet kikapcsolt állapotban, a testétől távol tartva hordozza.** A gép megfelelő kezelése csökkenti annak valószínűségét, hogy véletlenül érintkezzen a mozgó vágófejjel vagy damillal.
- **Csak a gyártó által meghatározott csere vágófejeket és késeket vagy damilokat használjon. Ne cserélje a vágófejet vagy damilt fémhuzalra vagy fémkésre.** A nem megfelelő cserealkatrészek irányítvesztést, törést és sérülést okozhatnak.

## Személyi védőfelszerelés



**FIGYELMEZTETÉS:** A termék használata előtt olvassa el az alábbi figyelmeztetéseket.

- A termék használata során viseljen jóváhagyott személyi védőfelszerelést. A személyi védőfelszerelés nem küszöböli ki teljes mértékben a sérülés kockázatát, de csökkenti a sérülés mértékét, ha bekövetkezik a baleset. A megfelelő felszerelés kiválasztásában kérje a kereskedő segítségét.
- Használjon jóváhagyott fülvédőt.

(ábra 17)

- Használjon jóváhagyott védőszemüveget. Ha arcvédőt használ, jóváhagyott védőszemüveget is kell viselnie. Jóváhagyott védőszemüvegek azok, amelyek megfelelnek az ANSI Z87.1 (USA), illetve EN 166 (EU-országok) szabványoknak.

(ábra 18)

- Ha szükséges, viseljen kesztyűt – például a vágószerszerek felhelyezésekor, ellenőrzésekor vagy tisztításakor.

(ábra 19)

- Használjon acéllemezes lábujjvédővel és csúszásgátló talppal ellátott védőbakancsot.

(ábra 20)

- Viseljen sűrű szövésű anyagból készült ruházatot. Vastag, hosszú nadrágot és hosszú ujjú felsőrészt viseljen. Ne viseljen bő ruházatot, mert az beakadhat a gallyakba és a bokrok ágaiba. Ne viseljen ékszereket, rövidnadrágot vagy szandált. Ne legyen meztláb. Igazítsa haját vállmagasság fölé.
- Tartsa kéznél az elsősegélykészletet.

(ábra 21)

## Biztonsági eszközök a terméken



**FIGYELMEZTETÉS:** A termék használata előtt olvassa el az alábbi figyelmeztetéseket.

Ez a fejezet a termék biztonsági funkcióit és rendeltetését, valamint a megfelelő üzemelést biztosító ellenőrzések és karbantartási műveletek elvégzésének módját ismerteti. Tekintse át a fejléc alatt szereplő utasításokat, *Bevezető 184. oldal*on hogy megtudja, hol találhatóak ezek az alkatrészek a terméken.

A termék élettartama lecsökkenhet, a balesetveszély pedig megnövekedhet, ha a termék karbantartását nem megfelelően hajtják végre, illetve ha a szervizt és/vagy a javításokat nem szakszerűen végzik. Ha további információra van szüksége, vegye fel a kapcsolatot a legközelebbi szervizszolgálatával.



**FIGYELMEZTETÉS:** Soha ne használja a terméket sérült biztonsági felszerelésekkel. A termék biztonsági felszerelésének ellenőrzését és a karbantartási munkálatokat a jelen fejezetben leírtak szerint kell elvégezni. Ha az Ön terméke nem felel meg az alábbi vizsgálatok valamelyikénél, forduljon szervizműhelyéhez.



**VIGYÁZAT:** A gép szervizeléséhez és javításához speciális szakmai kiképzésre van szükség. Ez különösen érvényes a gép biztonsági felszereléseire. Ha az Ön gépe nem felel meg az alábbi vizsgálatok valamelyikénél, akkor

forduljon szervizműhelyéhez. Bármely termékünk megvásárlásakor garantáljuk a szakképzett javítást és szervizelést. Ha a gépet nem szervizműhellyel rendelkező szakkereskedőtől vásárolta, akkor kérje el tőle a legközelebbi szervizműhely címét.

### A billentyűzet ellenőrzése

1. Nyomja le és tartsa lenyomva az indító/leállítógombot (A). (ábra 22)
  - a) Ha a LED (B) világít, a termék be van kapcsolva.
  - b) Ha a LED (B) nem világít, a termék ki van kapcsolva.
2. Ha a figyelmeztetésjelző (C) világít vagy villog, lásd: *Billentyűzet 195. oldal*on.

### A kapcsológomb reteszésének ellenőrzése

A kapcsológomb retesze megakadályozza a véletlen beindítást. A kapcsológomb reteszésének (A) megnyomásakor a kapcsológomb (B) kioldódik. Amikor elengedi a fogantyút, a kapcsológomb és annak retesze visszaáll az eredeti helyzetébe. (ábra 23)

1. Ellenőrizze, hogy reteszelt-e a kapcsológomb, amikor a retesze az eredeti helyzetében van. (ábra 24)
2. Nyomja le a kapcsológombot, és győződjön meg arról, hogy az elengedése után visszatér-e az eredeti helyzetébe. (ábra 25)
3. Győződjön meg arról, hogy a kapcsológomb és a kapcsológomb retesze akadálymentesen mozog-e, valamint hogy a visszatérítő rugó megfelelően működik-e. (ábra 26)
4. Indítsa be a terméket. Lásd: *A termék elindítása 193. oldal*on.
5. Adjon teljes gázt.
6. Engedje el a bekapcsológombot, és győződjön meg róla, hogy a vágófelszerelés leállt-e.

### A vágófelszerelés védőburkolatának ellenőrzése



**FIGYELMEZTETÉS:** Ne használja a vágófelszerelést jóváhagyott és megfelelően felhelyezett védőburkolat nélkül. Mindig az éppen használt vágófelszereléshez ajánlott védőburkolatot használja, lásd: *Műszaki adatok 197. oldal*on. A nem megfelelő vagy meghibásodott védőburkolat használata komoly személyi sérülést idézhet elő.

A vágófelszerelés védőburkolata megállítja a kezelő irányába repülő tárgyakat. A vágófelszerelés védőburkolata emellett megvédi a sérülésektől a vágófelszerelés megérintése esetén is.

1. Állítsa le a motort.

2. Keressen sérüléseket, például repedéseket.
3. Ha a vágófelszerelés védőburkolata sérült, cserélje ki.

### Vágófelszerelés

Ügyeljen a megfelelő vágószerkezet kiválasztására, és végezze el a vágószerkezet karbantartását a következők érdekében:

- A vágási teljesítmény maximalizálása.
- A vágószerkezet élettartamának növelése.



**FIGYELMEZTETÉS:** A vágófelszerelést kizárólag az általunk ajánlott védelemmel használja. Lásd: *Műszaki adatok 197. oldal*on. A helyes zsinóradozathoz és megfelelő zsinórátmérő kiválasztásához lásd a vágófelszerelésre vonatkozó utasításokat.



**FIGYELMEZTETÉS:** A sérült vágófelszerelés használata növelheti a balesetveszélyt.



**FIGYELMEZTETÉS:** Mielőtt bármilyen munkát végezne a vágófelszerelésen, állítsa le a motort. A vágófelszerelés a gázadagoló elengedése után is tovább forog. Győződjön meg róla, hogy a vágófelszerelés leállt-e, vegye le a gyertyapipát, és csak ezután kezdjen dolgozni rajta.

### Damilfej



**FIGYELMEZTETÉS:** Az egészségre ártalmas rezgések elkerülése érdekében ügyeljen arra, hogy a zsinór legyen mindig szorosan és egyenesen a dobra tekerve.

(ábra 27)

- Csak a javasolt damilfejeket és zsinórokat használja.
- Csak a javasolt vágófelszereléseket használja.
- Kisebb géphez általában kisebb damilfej szükséges, és fordítva.
- A zsinór hossza ugyancsak lényeges. A hosszabb zsinór nagyobb teljesítményű motort igényel, mint az ugyanolyan keresztmetszetű rövidebb zsinór.
- A szegélynyíró védőburkolatán lévő késnek épeknek kell lennie. A kés a zsinór megfelelő méretűre történő vágására szolgál.
- A zsinór élettartamának növelése érdekében használat előtt áztassa vízbe néhány napra.

## Az akkumulátorral kapcsolatos biztonsági előírások



**FIGYELMEZTETÉS:** A termék használata előtt olvassa el az alábbi figyelmeztetéseket.

- Csak a(z) BLi sorozatú és 40-B sorozatú akkumulátort használja. A részleteket lásd *Műszaki adatok 197. oldal*on. Az akkumulátor szoftveresen kódolva van.
- A tölthető BLi sorozatú és 40-B sorozatú akkumulátorokat kizárólag a megfelelő Husqvarna termékek tápellátására használja. Ne használja az akkumulátort más eszközök áramforrásaként, mivel ez balesetveszélyes.
- Elektromos áramütés veszélye. Ne érintse az akkumulátorsarukat kulcsokhoz, érmékhez, csavarokhoz vagy egyéb fémhez. Ez az akkumulátor rövidzárlatát okozhatja.
- Ne használjon nem újratölthető akkumulátorokat.
- Ne tegyen tárgyakat az akkumulátor szellőzőnyílásaiba.
- Tartsa távol az akkumulátort a közvetlen napsütéstől, hőtől és nyílt lángtól. Az akkumulátor súlyos égési, illetve vegyi égési sérüléseket okozhat.
- Tartsa az akkumulátort esős, nedves környezettől távol.
- Tartsa az akkumulátort mikrohullámoktól és magas nyomástól távol.
- Soha ne próbálkozzon az akkumulátor szétszerelésével vagy széttrésésével.
- Ha az akkumulátor szivárog, ne hagyja, hogy a folyadék bőrre vagy szembe kerüljön. Ha hozzáért a folyadékhoz, nagy mennyiségű szappanos vízzel tisztítsa meg az adott testfelületet, és forduljon orvoshoz. Ha a folyadék a szemébe került, ne dörzsölje, hanem legalább 15 percig alaposan öblítse át a szemét vízzel, és forduljon orvoshoz.
- Az akkumulátort -10 °C (14 °F) és 40 °C (114 °F) közötti hőmérsékleten használja.
- Soha ne tisztítsa vízzel az akkumulátort vagy az akkumulátortöltőt. Lásd: *A termék, az akkumulátor és az akkumulátortöltő tisztítása 195. oldal*on.
- Ne használjon meghibásodott vagy sérült akkumulátort.
- A tárolás során tartsa az akkumulátorokat távol a fém tárgyaktól, például szegektől, csavaroktól és ékszerektől.
- Az akkumulátor gyermekektől elzárva tartandó.

## Az akkumulátortöltő készülék biztonsága



**FIGYELMEZTETÉS:** A termék használata előtt olvassa el az alábbi figyelmeztetéseket.

- Áramütés vagy rövidzárlat veszélye, ha a biztonsági utasításokat nem tartják be.
- Ne használjon mást a termékhez mellékelt akkumulátortöltőn kívül. Kizárólag QC80 és 40-C80 töltőket használjon BLI sorozatú és 40-B sorozatú csereakkumulátorok töltéséhez.
- Ne próbálkozzon az akkumulátortöltő szétszerelésével.
- Ne használjon meghibásodott vagy sérült akkumulátortöltőt.
- Ne emelje fel az akkumulátortöltőt a tápkábelnél fogva. Az akkumulátortöltő fali aljzatból történő kihúzásához a dugaszt húzza. Ne a tápkábel húzza.
- Minden kábelt és hosszabbítókábelt óvjon a víztől, az olajtól és az éles peremektől. Ügyeljen rá, hogy a kábel ne akadjon be ajtóba, korlátba vagy ezekhez hasonló tárgyakba.
- Ne használja az akkumulátortöltőt gyúlékony anyagok vagy olyan anyagok közelében, amelyek korróziót okozhatnak. Győződjön meg róla, hogy az akkumulátortöltőt nem fedi semmi. Amennyiben a töltő füstölni vagy égni kezdene, húzza ki a dugóját.
- Az akkumulátort csak jó szellőzésű helyiségben, napfénytől távol töltsen. Ne töltsen az akkumulátort kültéren. Ne töltsen az akkumulátort nedves körülmények között.
- Az akkumulátortöltőt csak 5 °C (41 °F) és 40 °C (104 °F) közötti hőmérséklet esetén használja. A töltőkészüléket jól szellőző, száraz és pormentes környezetben használja.
- Ne tegyen tárgyakat az akkumulátortöltő hűtőnyílásaiba.
- Ne érintsen az akkumulátortöltő csatlakozóihoz fémtárgyakat, mivel ezek rövidzárlatot okozhatnak a töltőkészüléken.
- Jóváhagyott, sértetlen hálózati aljzatot használjon. Ellenőrizze, hogy az akkumulátortöltő kábele nem

sérült-e. Hosszabbítókábelek használata esetén győződjön meg arról, hogy a hosszabbítókábelek nem sérültek-e.

- Ne töltsön nem újratölthető akkumulátorokat a töltővel.

## Biztonsági utasítások a karbantartáshoz



**FIGYELMEZTETÉS:** A terméken végzett karbantartási műveletek előtt olvassa el az alábbi figyelmeztetéseket.

- Karbantartás, egyéb ellenőrzések vagy a termék összeszerelése előtt távolítsa el az akkumulátort.
- A kezelő kizárólag a jelen használati utasításban szereplő karbantartási és szervizmunkákat végezheti el. A szélesebb körű karbantartási és szervizmunkákkal kapcsolatban forduljon a szakszervizhez.
- Soha ne tisztítsa vízzel az akkumulátort vagy az akkumulátortöltőt. Az erős tisztítószeresek kárt tehetnek a műanyagban.
- A karbantartási műveletek elmulasztása csökkenti a termék élettartamát, illetve növeli a balesetveszélyt.
- A gépen végzett minden szerviz- és javítási munkát szakképzettséget igényel, különös tekintettel a biztonsági eszközökre. Amennyiben a karbantartást követően nem minden, a használati utasításban leírt ellenőrzési művelet jóváhagyott, forduljon a szakszervizhez. Garantáljuk a termékéhez megfelelő, professzionális javítást és szervizelést.
- Kizárólag eredeti pótalkatrészeket használjon.

## Összeszerelés

### Bevezető



**FIGYELMEZTETÉS:** Figyelmesen olvassa el a biztonságról szóló fejezetet, mielőtt összeállítaná a terméket.

### A trimmervédő felszerelése

1. Helyezze a trimmervédőt a motorházra. (ábra 28).
2. Szerelje be a csavart a motorházon és a trimmervédőn keresztül. (ábra 29)
3. Húzza meg a csavart.

### A damilfej összeszerelése

1. Forgassa a kimenőtengelyt addig, amíg a hajtótárcsában lévő furatok egyike egy vonalba nem kerül a hajtóműházon lévő megfelelő furattal.

2. Helyezze be a rögzítőcsapot a nyílásba a nyél rögzítéséhez.
3. Forgassa el a damilfejet az óramutató járásával ellentétes irányba. (ábra 30)

### A hurokfogantyú összeszerelése

1. Csavarja be a csavart a hurokfogantyúba. (ábra 31)
2. Szerelje fel a hurokfogantyút a nyélen található tartozékra.
3. Húzza meg a csavarokat.
4. Mozgassa a hurokfogantyút a megfelelő helyzetbe. Lásd: *A hurokfogantyú és a teleszkópos nyél beállítása* 193. oldalon.

### A növényvédő felszerelése

1. Szerelje fel a növényvédőt a motorház furataiba. (ábra 32)

2. Ellenőrizze, hogy a növényvédő szabadon tud-e előre és hátrafelé mozogni. (ábra 33)

## Az akkumulátortöltő felszerelése (40-C80) a falra



**VIGYÁZAT:** Az akkumulátortöltő falra történő felszereléséhez ne használjon elektromos csavarhúzót. Az

elektromos csavarhúzó kárt tehet az akkumulátortöltőben.

1. Szerelje fel az akkumulátortöltőt a falra a 2 csavarral (B). Szükség esetén használjon tipliket (A). (ábra 34)
2. Helyezze be a 2 csavarfurat-sapkát (C).
3. Csatlakoztassa a tápkábelt egy akkumulátortöltőhöz és egy fali aljzathoz.

## Üzemeltetés

### Bevezető



**FIGYELMEZTETÉS:** A termék használata előtt figyelmesen olvassa el a biztonságról szóló fejezetet.

### A termék működtetése előtt

- Ellenőrizze a munkaterületet – mérje fel a terep jellegét. Ellenőrizze a talaj lejtését, valamint keressen esetleges akadályokat, például köveket, ágakat és gödröket.
- Végezzen átfogó ellenőrzést a terméken.
- Végezze el a használati utasításban közölt biztonsági ellenőrzéseket, valamint karbantartási és szervizelési feladatokat.
- Ellenőrizze, nem piszkos-e a motor, és nincs-e rajta repedés. Tisztítsa meg a motort a fűtől és a levelektől egy kefe segítségével. Szükség esetén viseljen kesztyűt.
- Keressen sérülést, repedést a szegélyvágó fejen és a vágófelszerelés védőburkolatán. Ha a damilfej vagy a vágófelszerelés védőburkolata sérült vagy repedt, cserélje ki.
- Ellenőrizze, hogy az anyák és csavarok szorosan meg vannak-e húzva.
- A termék elindítása előtt győződjön meg arról, hogy minden fedőelem, burkolat, fogantyú és

vágószerkezet megfelelően rögzítve van-e és sérülésmentes-e.

### Akkumulátor



**FIGYELMEZTETÉS:** Az akkumulátor használata előtt figyelmesen olvassa el a biztonságról szóló fejezetet. Olvassa el figyelmesen az akkumulátorhoz és az akkumulátortöltőhöz mellékelt használati útmutatót is.

Tartsa az akkumulátort és az akkumulátortöltőt megfelelő környezeti hőmérsékleten.

	<b>Környezeti hőmérséklet</b>
Az akkumulátor használata	5 °C-40 °C/41 °F-104 °F
Az akkumulátor feltöltése	5 °C-40 °C/41 °F-104 °F

### Az akkumulátor állapota

A kijelző jelzi az akkumulátor töltöttségét, valamint azt, hogy van-e valami probléma az akkumulátorral.

(ábra 35)



LED jelzőlámpa	Az akkumulátor állapota (töltöttségi állapot)	
	BLi10, BLi20	40-B70, 40-B140
4 LED világít	n.a.	Az akkumulátor töltöttsége 76–100%-os.
3 LED világít	Az akkumulátor töltöttsége 76–100%-os.	Az akkumulátor töltöttsége 51–75%-os.
2 LED világít	Az akkumulátor töltöttsége 51–75%-os.	Az akkumulátor töltöttsége 26–50%-os.
1 LED világít	Az akkumulátor töltöttsége 26–50%-os.	Az akkumulátor töltöttsége 6–25%-os.
1 LED villog	Az akkumulátor töltöttsége 0–25%-os.	Az akkumulátor töltöttsége 0–5%-os.

### Az akkumulátor töltése

Az első használat előtt tölts fel az akkumulátort. Az új akkumulátorok csak 30%-ra vannak feltöltve.



**VIGYÁZAT:** Az akkumulátortöltőt az adattáblán szereplő feszültségű és frekvenciájú tápaljzathoz csatlakoztassa.

50 °C/122 °F feletti hőmérséklet esetén az akkumulátor nem töltődik fel.

1. Csatlakoztassa a tápkábelt az akkumulátortöltőhöz.
2. Csatlakoztassa az akkumulátortöltőt földelt hálózati aljzathoz. A töltést jelző LED egyszer felvillog. (ábra 36)
3. Csatlakoztassa az akkumulátort a töltőkészülethez. A töltést jelző LED világítani kezd. Az akkumulátort legfeljebb 24 óráig tölts. (ábra 37)
4. Nyomja meg az akkumulátorjelző gombot. Ha az összes LED jelzőlámpa világít, az akkumulátor teljesen fel van töltve.
5. Húzza ki a tápkábelt, és csatlakoztassa le az akkumulátortöltőt a tápcsatlakozóról. Ne a tápkábelt húzza.
6. Vegye ki az akkumulátort a töltőből.

### Az akkumulátor csatlakoztatása a termékhez



**FIGYELMEZTETÉS:** Kizárólag eredeti Husqvarna akkumulátort használjon a termékben.

1. Tölts fel teljesen az akkumulátort.
2. Nyomja az akkumulátort a termékben található akkumulátortartóba. Az akkumulátor egy kattánás kíséretében a helyére kattan. (ábra 38)



**VIGYÁZAT:** Ha az akkumulátor nem megy bele könnyen az akkumulátortartóba, akkor az akkumulátor nem megfelelően van behelyezve. Ezzel kárt tehet a termékben.

### A termék elindítása

1. Tartsa nyomva az indító-/leállítógombot, amíg a zöld LED világítani nem kezd. (ábra 39)
2. Nyomja meg a kapcsológomb reteszét és a kapcsológombot. A vágószerkezet forogni kezd.

### A hurokfogantyú és a teleszkópos nyél beállítása

1. Lazítsa meg a rögzítőfogantyút, majd állítsa a hurokfogantyút a megfelelő helyzetbe. (ábra 40)
2. Zárja le a rögzítőfogantyút.
3. Lazítsa meg a nyélen lévő kart. (ábra 41)
4. Állítsa be a megfelelő hosszt a nyélen. Győződjön meg arról, hogy látja a háromszöget a tengelyen. (ábra 42)
5. Zárja le a kart, és húzza meg a csavarokat.

**Megjegyzés:** Ne rögzítse a hurokfogantyút a tengelyen lévő figyelmeztető matricákra.

### A SavE funkció használata

A termék energiatakarékos funkcióval, az úgynevezett SavE funkcióval van ellátva.

**Megjegyzés:** A SavE funkció nem csökkenti a termék vágási teljesítményét.

1. Nyomja meg a billentyűzeten található SavE gombot.
2. Ellenőrizze, hogy bekapcsol-e a zöld színű LED.

3. A funkció leállításához nyomja meg ismét a SavE gombot. A zöld LED kialszik. (ábra 43)

## Automatikus leállítás funkció

A termék automatikus leállítás funkciója leállítja a terméket, amikor az nincs használatban. Az indítást/leállítást jelző zöld LED világítani kezd, és a termék 180 másodperc után leáll.

## A termék működtetése

### Fűszegély nyírás

1. Tartsa a szegélynyíró fejet közvetlenül a talajszint felett ferdén. Ne nyomja bele a damilt a fűbe. (ábra 44)
2. Csökkentse a fűvágó damil hosszát 10-12 cm-re.
3. Csökkentse a motor fordulatszámát, hogy megóvja az növényeket a károsodástól.
4. Csak 80% gázt adjon, amikor akadályok közelében végez fűnyírást. (ábra 45)

### Fűritkítás

1. Tartsa a damilfejet a föld fölött.
2. Döntse meg a damilfejet.
3. A munkaterületen található tárgyak körül a vágódamil végével végezze a nyírást.



**VIGYÁZAT:** Csak fűvet nyírjon.  
A vágódamilhoz ütődő egyéb tárgyak gyorsítják a damil kopását.

### Fűnyírás

1. A vágódamil a fű nyírásakor legyen párhuzamos a talajjal. (ábra 46)

2. Ne nyomja le a talajra a damilfejet. Ezzel kárt tehet a termékben.
3. A fűnyírást kaszáló mozdulatokkal végezze. Dolgozzon teljes fordulatszámom. (ábra 47)

## A fű seprése

A forgó zsinór légáramlatával eltávolíthatja a levágott fűvet a munkaterületről.

1. Tartsa a damilfejet és a zsinórt a talaj felett, arra párhuzamosan.
2. Adjon teljes gázt.
3. A szegélyvágó fejet oldalról oldalra mozgatva seperje a fűvet.



**FIGYELMEZTETÉS:** Minden alkalommal tisztítsa meg a damilfej borítását, amikor új vágózinórt helyez fel, hogy egyensúlyt biztosíthasson és elkerülhesse a markolat vibrálását. Ellenőrizze és szükség esetén tisztítsa meg a szegélyvágó fej egyéb elemeit is.

## A termék leállítása

1. Engedje el a kapcsológombot és a kapcsológomb reteszt.
2. Nyomja le az indító-/leállító gombot, amíg a zöld LED ki nem alszik.
3. Nyomja le az akkumulátor kioldógombjait, és távolítsa el az akkumulátort a készülékből. (ábra 48)

## A szegélyvágó damil pótlása

Tekintse meg a használati utasítás utolsó oldalát.

# Karbantartás

## Bevezető



**FIGYELMEZTETÉS:** A termék karbantartása előtt olvassa el és értelmezze a biztonsággal foglalkozó fejezetet.

## Karbantartási terv



**FIGYELMEZTETÉS:** Karbantartási munkák előtt távolítsa el az akkumulátort.

Alább következik egy lista a termék karbantartásával kapcsolatos lépésekről. További információk:

*Karbantartás 194. oldalon.*

Karbantartás	Naponta	Hetente	Havonta
Tisztítsa meg a gép külső részeit egy száraz törlőkendővel. Ne használjon vizet.	X		
Ellenőrizze, hogy az indító- és leállító gomb megfelelően működik és sértetlen-e.	X		

Karbantartás	Naponta	Hetente	Havonta
Ellenőrizze, hogy biztonsági szempontból megfelelő-e a kapcsológomb és a kapcsológomb reteszének működése.	X		
Ellenőrizze, hogy az összes vezérlő működik és sértetlen-e.	X		
A fogantyúkat tartsa szárazon, tisztán, olaj- és zsírinten.	X		
Ellenőrizze, hogy a vágófelszerelés sértetlen-e. Ha a vágófelszerelés sérült, cserélje ki.	X		
Ellenőrizze, hogy a vágófelszerelés védőburkolata sértetlen-e. Ha a vágófelszerelés védőburkolata sérült, cserélje ki.	X		
Ellenőrizze, hogy a csavarok és anyák szorosan rögzülnek-e.	X		
Ellenőrizze, hogy az akkumulátor kioldógombjai működnek-e, és rögzítik-e az akkumulátort a termékben.	X		
Ellenőrizze, hogy az akkumulátortöltő sértetlen és megfelelően működik-e.	X		
Ellenőrizze, hogy az akkumulátor sértetlen-e.	X		
Ellenőrizze, hogy az akkumulátor fel van töltve.	X		
Ellenőrizze, hogy az akkumulátortöltő sértetlen-e.	X		
Ellenőrizze az összes kábelt, csatlakozót és csatlakozást. Győződjön meg arról, hogy sértetlenek és szennyeződésmentesek-e.		X	
Végezze el az akkumulátor és a termék közötti csatlakozások ellenőrzését. Végezze el az akkumulátor és az akkumulátortöltő közötti csatlakozás ellenőrzését.			X

## Az akkumulátor és az akkumulátortöltő ellenőrzése

- Ellenőrizze, hogy az akkumulátoron nem találhatók-e sérülések, például repedések.
- Ellenőrizze, hogy az akkumulátortöltőn nem találhatók-e sérülések, például repedések.
- Ellenőrizze, hogy az akkumulátortöltő csatlakozókábele nem sérült-e, és hogy nincs-e rajta repedés.

## A termék, az akkumulátor és az akkumulátortöltő tisztítása

- Használat után tisztítsa meg a terméket egy száraz ruhával.

- Tisztítsa meg az akkumulátort és az akkumulátortöltőt egy száraz ruhával. Tartsa tisztán az akkumulátorvezető síneket.
- Mielőtt a töltőkészülékbe vagy a termékbe helyezné az akkumulátort, gondoskodjon az akkumulátor és a töltő érintkezőinek tisztaságáról.

## A damilfej ellenőrzése és cseréje

- Ellenőrizze a damilfejet, hogy nem található-e rajta sérülés vagy repedés.
- Húzza ki a vágódamil szállító egységét.
- Távolítsa el a damilfejet. (ábra 49)
- Cserélje ki a damilfejet.
- Szerelje össze a damilfejet. Lásd: *A damilfej összeszerelése 191. oldalon.*

## Hibaelhárítás

### Billentőüzet

LED-kijelző	Lehetséges hibák	Lehetséges megoldások
Villog a hibajelző LED.	Túterhelés	A vágófelszerelés nem tud szabadon mozogni. Oldja ki a vágófelszerelést.
	Hőmérsékleti ingadozás	Várja meg, míg a termék lehűl.
A termék nem indul.	Nyomja meg egyszerre a kapcsológombot és az indítógombot.	Engedje el a kapcsológombot, és állítsa le a készüléket.

LED-kijelző	Lehetséges hibák	Lehetséges megoldások
A hibajelző LED piros fényel kezd világítani.	A terméket szervizelni kell.	Forduljon az illetékes szakszervizhez.

## Akkumulátor

LED-es kijelző	Lehetséges hibák	Lehetséges megoldás
A zöld LED villog.	Alacsony akkumulátorfeszültség.	Töltse fel az akkumulátort.
Villog a hibajelző LED.	Hőmérséklet-ingadozás.	Az akkumulátort -10°C (14°F) és 40°C (104°F) közötti hőmérsékleten használja.
	Túl magas feszültség.	Ügyeljen, hogy a hálózati feszültség megegyezzen a termék adattábláján szereplő feszültség értékével. Vegye ki az akkumulátort a töltőből.
A hibajelző LED világít.	Túl nagy a cellák közötti különbség (1 V).	Forduljon az illetékes szakszervizhez.

## Akkumulátortöltő

Probléma	Lehetséges hibák	Lehetséges megoldás
A töltést jelző LED piros.	Maradandó akkumulátortöltő-hiba.	Forduljon márkakereskedőjéhez.
A töltést jelző LED zölden villog.	Hőmérséklet-ingadozás, az akkumulátor túl hideg vagy túl meleg a használatához vagy a töltéshez.	Hagyja lehűlni, vagy melegítse fel az akkumulátort. Ha az akkumulátor hőmérséklete megfelelő, ismét használható vagy tölthető. Az akkumulátortöltőt 5 °C és 40 °C közötti környezeti hőmérsékleten használja.
A töltést jelző LED pirosan villog.	Hibás akkumulátor.	Forduljon márkakereskedőjéhez.

## Szállítás, tárolás és ártalmatlanítás

### Szállítás és raktározás

- A mellékelt lítium-ion akkumulátorokra a veszélyes anyagokra vonatkozó jogszabályok követelményei érvényesek.
- Kereskedelmi szállításnál – harmadik fél és szállítmányozó cégek esetén is – a csomagolásra és címkézésre vonatkozó speciális előírásokat be kell tartani.
- A termék elküldése előtt forduljon egy veszélyes anyagok tekintetében szakképzett személyhez. Tartsa be az összes vonatkozó nemzeti előírást.
- Ha az akkumulátort becsomagolja, a szabadon álló érintkezőket le kell fedni ragasztószalaggal. Szorosan csomagolja be az akkumulátort, hogy az ne mozdulhasson el a csomagoláson belül.
- Tároláshoz vagy szállításhoz távolítsa el az akkumulátort.
- Helyezze az akkumulátort és az akkumulátortöltőt száraz, nedvesség- és fagymentes helyre.
- Ne tartsa az akkumulátort olyan helyen, ahol elektrosztatikus töltés lehet jelen. Ne tartsa az akkumulátort fém dobozban.

- Helyezze az akkumulátort közvetlen napfénytől védett helyre, ahol a hőmérséklet 5°C (41°F) és 25°C (77°F) között van.
- Helyezze az akkumulátortöltőt közvetlen napfénytől védett helyre, ahol a hőmérséklet 5 °C (41 °F) és 45°C (113°F) között van.
- Az akkumulátortöltőt csak 5°C (41°F) és 40°C (104°F) közötti környezeti hőmérséklet mellett használja.
- Hosszú ideig való tárolás előtt tölts fel az akkumulátort 30–50%-ra.
- Az akkumulátortöltőt száraz, zárt helyen tárolja.
- A tárolás során tartsa távol az akkumulátort az akkumulátortöltőtől. Ügyeljen arra, hogy gyermekek és más jogosulatlan személyek ne érhessenek a berendezéshez. A berendezést kulccsal zárható helyen tárolja.
- A hosszú ideig való tárolás előtt tisztítsa meg a terméket, és végezze el annak teljes karbantartását.

- A sérülések és a termék károsodásának elkerülése érdekében szállításkor és tároláskor használja a terméken található szállítási biztosítószerkezetet.
- Szállításkor rögzítse biztosan a terméket.

## Az akkumulátor, az akkumulátortöltő és a termék ártalmatlanítása

A terméken vagy annak csomagolásán található szimbólumok azt jelzik, hogy a termék nem minősül háztartási hulladéknak. Újrahasznosítását egy elektromos és elektronikus berendezések újrahasznosítására szolgáló ponton kell elvégezni. Ez elősegíti a környezetre és a személyekre gyakorolt káros hatások megelőzését.

A termék újrahasznosításával kapcsolatos további információkért forduljon a helyi hatóságokhoz, hulladékártalmatlanítási szolgáltatást végző vállalkozáshoz vagy kereskedőjéhez.

## Műszaki adatok

### Műszaki adatok

	<b>215iL</b>
<b>Motor</b>	
Motortípus	BLDC
Kimenőtengely fordulatszáma, ford./perc	6800
Vágószélesség, mm	310
<b>Tömeg</b>	
Tömeg akkumulátor nélkül, kg	2,9
<b>Zajkibocsátás</b> <sup>34</sup>	
Hangteljesítményszint, mért dB (A) érték	90,5
Hangteljesítményszint, garantált, L <sub>WA</sub> dB (A)	92
<b>Zajszintek</b> <sup>35</sup>	
A kezelő hallószervére gyakorolt, EN ISO 50636-2-91 szerint mért hangnyomásszint, dB (A)	74,9
<b>Rezgésszintek</b> <sup>36</sup>	

<sup>34</sup> A környezetben a 2000/14/EK sz. EK irányelvvel összhangban hangteljesítményként mért zajkibocsátás (L<sub>WA</sub>). A garantált és a mért hangteljesítmény közötti különbségnek az az oka, hogy a garantált hangteljesítmény tartalmazza a mérési eredményben lévő ingadozást és az azonos modellű termékek közti eltéréseket is a 2000/14/EK jelű irányelv értelmében.

<sup>35</sup> A termék ekvivalens hangnyomásszintjére vonatkozó jelentési adatok 2,5 dB (A) tipikus statisztikus ingadozással (szórással) rendelkeznek.

<sup>36</sup> A rezgésszintre vonatkozó jelentési adatok az 1,5 m/s<sup>2</sup> tipikus statisztikus ingadozásával (szórásával) rendelkeznek.

	<b>215IL</b>
Az EN50636-2-91 szerint mért rezgésszintek a fogantyúban, m/s <sup>2</sup>	4,5/2,7
Vágófejjel ellátva (eredeti), első/hátsó.	

### A termék esetében jóváhagyott akkumulátorok

Akkumulátor	BLI10		BLI20		40-B70	40-B140
Típus	Lítium-ion		Lítium-ion		Lítium-ion	Lítium-ion
Akkumulátor kapacitása, Ah	Lásd az akkumulátor típuscímkéjét		Lásd az akkumulátor típuscímkéjét		Lásd az akkumulátor típuscímkéjét	Lásd az akkumulátor típuscímkéjét
Névleges feszültség, V	36	36,5	36	36,5	36	36
Tömeg, font/kg	0,7	0,7	1,2	1,2	0,8	1,25

### A termék esetében jóváhagyott akkumulátortöltők

Akkumulátortöltő	QC80	40-C80
Hálózati feszültség, V	100-240	100-240
Frekvencia, Hz	50-60	50-60
Teljesítmény, W	100	72
Kimeneti feszültség, V, egyenáram/ amper, A	36/2	43/1,6

---

## Tartozékok

---

### Eredeti tartozékok

Eredeti tartozékok	Típus	Vágófelszerelés védőburkolata, cikksz.
Damilfej	R25B (Ø 2 mm-es szál)	529 96 69-01

# Megfelelőségi nyilatkozat

## EU megfelelési nyilatkozat

A Husqvarna AB, SE-561 82 Huskvarna, Sweden (tel.: +46-36-146500), a saját felelősségére kijelenti, hogy a termék:

<b>Leírás</b>	Akkumulátoros fűszegélynyíró
<b>Márka</b>	Husqvarna
<b>Típus/modell</b>	215iL
<b>Megjelölés</b>	2024-as és újabb sorozatszámok

teljes mértékben megfelelnek a következő EU-irányelveknek és szabályozásoknak:

<b>Irányelv/rendelet</b>	<b>Leírás</b>
2006/42/EK	„gépre vonatkozó”
2014/30/EU	„elektromágneses megfelelésre vonatkozó”
2000/14/EK	„környezeti zajkibocsátásra vonatkozó”
2011/65/EU	„az egyes veszélyes anyagok elektromos és elektronikus berendezésekben való alkalmazásának korlátozására vonatkozó”

valamint hogy az alábbi szabványok és/vagy műszaki előírások kerültek alkalmazásra: EN 60335-1:2012/ A15:2021, EN 50636-2-91:2014, EN IEC 63000:2018, EN IEC 55014-1:2021; EN IEC 55014-2:2021.

Bejelentett tanúsítási szervezet: A(z) 0197 TÜV Rheinland LGA Products GmbH, Tillystraße 2, 90431 Nürnberg, Germany igazolja a Bizottság 2000/14/EK jelű irányelve VI., megfelelésértékelési eljárás című függelékének való megfelelést.

A zajkibocsátásra vonatkozó tájékoztatást illetően tekintse át a következőt: *Műszaki adatok 197. oldalon.*

Huskvarna, 2024-02-01



Claes Losdal, K+F menedzser, Husqvarna AB

A műszaki dokumentációk felelőse



## Sommario

Introduzione.....	200	Trasporto, stoccaggio e smaltimento.....	212
Sicurezza.....	201	Dati tecnici.....	213
Montaggio.....	207	Accessori.....	214
Utilizzo.....	208	Dichiarazione di conformità.....	215
Manutenzione.....	210	Appendice .....	454
Ricerca guasti.....	211		

---

## Introduzione

---

### Descrizione del prodotto

Husqvarna 215iL è un trimmer per prato a batteria con un motorino elettrico.

Il lavoro è in costante evoluzione per aumentare sicurezza ed efficienza durante le attività. Rivolgersi al centro di assistenza per maggiori informazioni.

### Uso previsto

Il prodotto viene utilizzato con fili ,o strisce per trimmer non metallici o altri elementi da taglio flessibili non

metallici. Non utilizzare il prodotto per attività diverse dal taglio di erbacce, erba o vegetazione morbida simile.

---

**Nota:** I regolamenti nazionali possono imporre restrizioni sull'uso del prodotto.

---

### Panoramica del prodotto

(Fig. 1)

1. Testina portafilo
2. Protezione del gruppo di taglio
3. Albero
4. Regolazione (telescopica) dell'albero
5. Impugnatura ad anello
6. Tastierino
7. Spia di avvertenza del tastierino
8. Pulsante start/stop
9. Pulsante Save
10. Leva di comando
11. Fermo della leva di comando
12. Spia di accensione e avvertenza
13. Connettore
14. Caricabatterie 40-C80
15. Caricabatterie QC80
16. Cavo di alimentazione
17. Protezione piante
18. Spia di avvertenza della batteria
19. Stato della batteria
20. Pulsante indicatore dello stato della batteria
21. Pulsanti per il rilascio della batteria
22. Batteria
23. Strumento combinato
24. Manuale dell'operatore

(Fig. 5) Non esporre alla pioggia.

(Fig. 6) Emissioni di rumore sull'etichetta ambientale in base alle direttive UE (inclusa anche la legislazione del Nuovo Galles del Sud) e alle normative del Regno Unito. I dati sulle emissioni di rumore sono riportati sull'etichetta della macchina e nel capitolo Dati tecnici.

(Fig. 7) Assicurarsi che i presenti non si avvicinino al prodotto.

(Fig. 8) Scollegare la batteria prima di eseguire la manutenzione.

(Fig. 9) Il prodotto o l'imballaggio del prodotto non è un rifiuto domestico. Riciclarlo in una stazione di riciclaggio per apparecchiature elettriche ed elettroniche.

(Fig. 10) Il prodotto è conforme alle direttive UE vigenti.

(Fig. 11) Il prodotto è conforme alle direttive del Regno Unito vigenti.

(Fig. 12) Corrente diretta.

### Simboli riportati sul prodotto

(Fig. 2) **AVVERTENZA:** questo prodotto può essere pericoloso e causare lesioni gravi o mortali all'operatore o a terzi. Prestare attenzione e utilizzare il prodotto correttamente.

(Fig. 3) Prima dell'uso, leggere attentamente il manuale operatore e accertarsi di aver compreso le istruzioni.

(Fig. 4) Utilizzare una protezione per gli occhi.

**aaaasxxxx**

La targhetta dati di funzionamento o la stampa al laser mostrano il numero di serie. **yyyy** è l'anno di produzione e **ww** è la settimana di produzione.



## Simboli sulla batteria e/o sul caricabatterie

(Fig. 16) Riciclare questo prodotto in una stazione di riciclaggio per apparecchiature elettriche ed elettroniche. (Solo per l'Europa)

(Fig. 13) Trasformatore a prova di guasto.

(Fig. 14) Utilizzare e conservare il caricabatteria solo in ambienti interni.

(Fig. 15) Doppio isolamento.

## Danni al prodotto

Non siamo responsabili dei danni al prodotto se:

- Il prodotto viene riparato in modo errato.
- Il prodotto viene riparato con parti che non provengono o non sono omologate dal produttore.
- Il prodotto contiene un accessorio che non proviene o non è omologato dal produttore.
- Il prodotto non viene riparato presso un centro di assistenza autorizzato o presso un'autorità competente.

## Sicurezza

### Definizioni di sicurezza

Le avvertenze, le precauzioni e le note sono utilizzate per evidenziare le parti importanti del manuale.



**AVVERTENZA:** Utilizzato se è presente un rischio di lesioni o morte dell'operatore o di passanti nel caso in cui le istruzioni del manuale non vengano rispettate.



**ATTENZIONE:** Utilizzato se è presente un rischio di danni al prodotto, ad altri materiali oppure alla zona adiacente nel caso in cui le istruzioni del manuale non vengano rispettate.

**Nota:** Utilizzato per fornire ulteriori informazioni necessarie in una determinata situazione.

### Avvertenze generali di sicurezza dell'attrezzo elettrico



**AVVERTENZA:** Leggere attentamente tutte le avvertenze di sicurezza e tutte le istruzioni. La mancata osservanza delle avvertenze e delle istruzioni può dare luogo a scosse elettriche, incendi e/o gravi lesioni.

**Nota:** Conservare tutte le avvertenze e le istruzioni per la futura consultazione. Nelle avvertenze, il termine "attrezzo elettrico" si riferisce al vostro attrezzo elettrico alimentato tramite rete elettrica (con cavo) o a batteria (senza fili).

### Controlli prima dell'avviamento

- Rimuovere sempre la batteria per evitare che il prodotto venga azionato per errore. Rimuovere

sempre la batteria prima di procedere alla manutenzione del prodotto.

- Prima di utilizzare il prodotto e dopo ogni impatto, controllare eventuali segni di usura o danno e, se necessario, ripararli.
- Controllare l'area di lavoro. Asportare eventuali corpi estranei quali pietre, frammenti di vetro, chiodi, fili di acciaio, corde ecc. che potrebbero essere scagliati oppure avvolgere il tagliente o la relativa protezione.
- Verificare che il motore non sia sporco o danneggiato. Rimuovere l'erba e il fogliame dal motore utilizzando una spazzola. Usare i guanti quando è necessario.
- Controllare che la testina portafilo sia saldamente attaccata alla macchina.
- Controllare che il prodotto sia in perfette condizioni. Controllare che tutti i dadi e le viti siano ben serrati.
- Controllare la testina portafilo e la protezione parasassi e verificare che siano intatte e non presentino incrinature. Sostituire la testina portafilo o la protezione parasassi nel caso in cui abbiano subito degli urti o presentino incrinature. Usare sempre la protezione consigliata per ogni specifico gruppo di taglio. Vedi capitolo Dati tecnici.
- L'operatore deve accertarsi che persone o animali non si avvicinino entro un raggio di 15 metri durante il lavoro. Nel caso in cui più operatori stiano lavorando nella stessa zona, la distanza di sicurezza deve essere almeno di 15 metri.
- Eseguire un'ispezione generale del prodotto prima dell'utilizzo. Consultare il programma di manutenzione.
- La normativa nazionale o locale potrebbe regolarne l'utilizzo. Assicurare la conformità alla normativa in vigore.

### Sicurezza dell'area di lavoro

- **Tenere l'area di lavoro pulita e ben illuminata.** Le zone in disordine o male illuminate possono provocare incidenti.
- **Non mettere in funzione attrezzi elettrici in ambienti esplosivi, quali quelli che comportano la presenza di**

liquidi infiammabili, gas o polvere. Gli attrezzi elettrici generano scintille che possono incendiare polveri o fumi.

- **Tenere lontani bambini e spettatori mentre si fa funzionare un attrezzo elettrico.** Le distrazioni possono causare la perdita del controllo.

## Sicurezza elettrica

- **Le spine degli elettroutensili devono essere adatte alla presa. Evitare assolutamente di apportare modifiche alla spina. Non impiegare spine adattatrici assieme a elettroutensili con collegamento a terra.** Le spine non modificate e le prese adatte allo scopo riducono il rischio di scosse elettriche.
- **Evitare il contatto con superfici messe a massa o collegate a terra, come condutture, radiatori, stufe e frigoriferi.** Sussiste un maggior rischio di scosse elettriche nel momento in cui il corpo è messo a massa.
- **Non esporre gli elettroutensili a pioggia o umidità.** L'ingresso di acqua in un elettroutensile fa aumentare il rischio di scosse elettriche.
- **Non rovinare il cavo elettrico. Non usare mai il filo per trasportare, tirare o staccare dalla presa l'elettroutensile. Non avvicinare il cavo a fonti di calore, olio, spigoli taglienti e neppure a parti della macchina che siano in movimento.** I cavi danneggiati o attorcigliati fanno aumentare il rischio di scosse elettriche.
- **Per il funzionamento di un elettroutensile all'aperto, usare una prolunga adatta.** L'uso di un cavo di prolunga omologato per l'impiego all'aperto riduce il rischio di scosse elettriche.
- **Se l'impiego dell'elettroutensile in ambienti umidi è inevitabile, utilizzare un interruttore differenziale (salvavita) per proteggere il circuito di alimentazione.** L'utilizzo di un salvavita riduce il rischio di scosse elettriche.

## Sicurezza personale

- **Nell'uso di un attrezzo elettrico, restare alerta, fare attenzione a ciò che si sta facendo e usare il buonsenso. Non usare un attrezzo elettrico quando si è stanchi o sotto l'effetto di droga, alcol o farmaci.** Un attimo di disattenzione può causare lesioni personali gravi.
- **Usare sempre abbigliamento protettivo personale. Indossare sempre una protezione per gli occhi.** L'uso in condizioni adeguate dell'abbigliamento protettivo (come mascherina protettiva, calzature di sicurezza antiscivolo, elmetto o cuffie protettive) riduce le lesioni personali.
- **Prevenire la messa in funzione accidentale. Accertarsi che l'interruttore sia in posizione OFF prima di effettuare il collegamento alla presa dell'alimentazione e/o alla batteria, di sollevare o trasportare l'attrezzo.** Il trasporto di attrezzi elettrici tenendo le dita sull'interruttore o su attrezzi che producono corrente e il cui interruttore è acceso, può provocare incidenti.

- **Rimuovere qualunque chiave o strumento di regolazione prima di accendere l'attrezzo elettrico.** Qualunque chiave o attrezzo lasciato attaccato a parti rotanti può causare danni alla persona.
- **Operare in sicurezza. Operare sempre facendo attenzione a posizionare bene i piedi e a mantenere l'equilibrio.** Ciò permette un migliore controllo dell'attrezzo elettrico in situazioni inattese.
- **Vestirsi in maniera adeguata. Non indossare abiti troppo ampi o gioielli. Tenere capelli e indumenti lontani dalle parti in movimento.** Lasciati liberi, indumenti, gioielli o capelli lunghi possono restare impigliati nelle parti in movimento.
- **Qualora vengano forniti strumenti per il collegamento a strutture di estrazione e raccolta della polvere, accertarsi che queste siano collegate e usate in modo adeguato.** La raccolta della polvere può ridurre i rischi legati alla presenza di questo agente.
- **La familiarità e l'esperienza acquisite con il prodotto non devono far sottovalutare i rischi insiti nell'utilizzo dello stesso. Non ignorare le norme basilari di sicurezza dell'attrezzatura.** Un'azione incauta può provocare gravi danni in una frazione di secondo.
- La produzione di vibrazioni durante l'utilizzo del dispositivo elettrico può essere differente dal valore totale dichiarato, a seconda delle modalità di impiego del dispositivo. Gli operatori devono identificare le misure di sicurezza necessarie per la protezione in base a una stima dell'esposizione in condizioni pratiche di utilizzo (tenendo in considerazione le diverse fasi di funzionamento, vale a dire i momenti in cui il dispositivo è spento, quando è in regime di minimo nonché quando è innestato il comando).

## Uso e cura dell'elettroutensile

- **Non forzare l'elettroutensile. Usare l'elettroutensile adatto all'applicazione.** L'elettroutensile giusto farà il lavoro meglio e in modo più sicuro se usato alla velocità per la quale è stato progettato.
- **Non usare l'elettroutensile se non è possibile accenderlo o spegnerlo tramite interruttore.** Qualunque elettroutensile che non possa essere controllato tramite interruttore è pericoloso e deve essere riparato.
- **Scollegare la spina dalla presa di corrente e/o rimuovere la batteria, se staccabile, prima di procedere a qualunque regolazione, cambio di accessori o alla conservazione degli elettroutensili.** Tali misure di sicurezza preventive riducono il rischio di avvio accidentale dell'elettroutensile.
- **Riporre gli elettroutensili fuori dalla portata dei bambini e non permettere l'uso dei suddetti a persone che non hanno familiarità con tali utensili e con queste istruzioni.** Nelle mani di persone inesperte, gli elettroutensili sono pericolosi.
- **Effettuare la manutenzione degli elettroutensili e degli accessori. Controllare che non si verifichi un errato allineamento o collegamento delle parti in movimento, la rottura di pezzi e qualsivoglia altra**

condizione che possa inficiare il funzionamento dell'elettrotensile. Qualora danneggiato, riparare l'elettrotensile prima dell'uso. Molti incidenti sono causati da elettrotensili con una manutenzione inadeguata.

- **Mantenere affilati e puliti gli strumenti da taglio.** Con una manutenzione adeguata, gli strumenti da taglio con bordi affilati risultano più facili da controllare e meno pericolosi.
- **Usare l'elettrotensile, gli accessori, le punte ecc. come indicato dalle presenti istruzioni, tenendo conto delle condizioni di lavoro e della prestazione da effettuare.** L'impiego di elettrotensili per usi diversi da quelli previsti può dar luogo a situazioni di pericolo.
- **Mantenere le impugnature e le superfici di presa asciutte, pulite e prive di olio e grasso.** Le impugnature e le superfici di presa scivolose non consentono una manipolazione e un controllo sicuri dell'utensile in situazioni impreviste.

### Utilizzo e manutenzione della batteria

- **Ricaricare l'attrezzo esclusivamente utilizzando il caricabatterie specificato dal produttore.** L'utilizzo di un caricabatterie indicato per un altro tipo di batteria potrebbe provocare rischio di incendio.
- **Utilizzare i prodotti esclusivamente con le batterie specificate.** L'utilizzo di altri pacchi batteria potrebbe provocare lesioni e incendi.
- **Quando la batteria non viene utilizzata, tenerla lontana da altri oggetti metallici, come graffette, monete, chiavi, chiodi, viti o altri piccoli oggetti metallici che potrebbero consentire il collegamento tra i terminali.** Provocare il cortocircuito dei terminali della batteria potrebbe causare ustioni o provocare un incendio.
- **In condizioni non ottimali, la batteria potrebbe perdere liquido; evitare il contatto.** Qualora il contatto avvenisse, sciacquare la parte con acqua. Se il liquido entra negli occhi, chiamare immediatamente un medico. Il liquido fuoriuscito dalla batteria potrebbe causare irritazioni o ustioni.
- **Non usare batterie o utensili danneggiati o modificati.** Batterie danneggiate o modificate possono manifestare un comportamento imprevedibile, con rischio di incendi, esplosioni e lesioni.
- **Non esporre batterie o utensili a fiamme o temperature troppo elevate.** L'esposizione al fuoco o a una temperatura superiore a 130 °C può provocare esplosioni.
- **Seguire tutte le istruzioni per il caricamento della batteria e non caricare la batteria o l'utensile al di fuori dell'intervallo di temperatura indicato nelle istruzioni.** Ricaricare in modo inappropriato o a temperature che non rientrano nell'intervallo specificato può danneggiare la batteria e aumentare il rischio di incendio.

### Assistenza

- **Far riparare l'elettrotensile solo ed esclusivamente da personale specializzato utilizzando solo pezzi di ricambio originali.** Questo garantirà che sia salvaguardata la sicurezza dell'elettrotensile.
- **Non riparare mai le batterie danneggiate.** Gli interventi sulle batterie dovrebbe essere eseguito solo dal produttore o da centri assistenza autorizzati.

### Impiegare sempre il buon senso.

Non è possibile coprire tutte le situazioni immaginabili che potreste affrontare. Prestare sempre attenzione e usare il buon senso. Evitate tutte le situazioni che ritenete essere superiori alle vostre capacità. Se dopo aver letto le presenti istruzioni avete ancora dubbi in merito alle procedure operative, rivolgetevi a un esperto prima di continuare.



**AVVERTENZA:** non consentire mai a bambini di utilizzare la macchina o avvicinarsi a essa. Data l'estrema facilità di avviamento della macchina, i bambini potrebbero essere in grado di avviarla se non sorvegliati. Sussiste il rischio di gravi lesioni personali. Quindi scollegare la batteria quando la macchina è lasciata incustodita.

### Istruzioni di sicurezza generali



**AVVERTENZA:** Leggere le seguenti avvertenze prima di utilizzare il prodotto.

- Rimuovere la batteria per evitare che il prodotto venga azionato accidentalmente.
- Questo prodotto è uno strumento pericoloso se non si presta attenzione o se si utilizza il prodotto in modo errato. Il prodotto può causare gravi lesioni o morte dell'operatore o altre persone.
- Non utilizzare il prodotto se è stato modificato in qualche modo rispetto alle specifiche iniziali. Non sostituire una parte del prodotto senza previa approvazione del produttore. Utilizzare solo parti approvate dal produttore. Una manutenzione impropria può causare lesioni o la morte.
- Eseguire il controllo del prodotto prima dell'utilizzo. Vedere, *Controlli prima dell'avviamento alla pagina 201* e *Prima di utilizzare il prodotto alla pagina 208*. Non utilizzare un prodotto danneggiato o che non funzioni correttamente. Eseguire i controlli di sicurezza e attenersi alle istruzioni di manutenzione e riparazione riportate nel presente manuale.
- I bambini devono essere sorvegliati per evitare che giochino con il prodotto. Non consentire mai l'uso e la manutenzione del prodotto a bambini o a persone non qualificate e non lasciare la batteria collegata. Verificare l'esistenza di norme locali che fissano l'età minima dell'utilizzatore.

- Conservare il prodotto in un'area chiusa a chiave per impedire l'accesso a bambini o persone non autorizzate.
- Conservare il prodotto fuori dalla portata dei bambini.
- Evitare assolutamente di modificare la versione originale del prodotto senza l'autorizzazione del fabbricante. Utilizzare sempre accessori originali. Modifiche e/o accessori non autorizzati possono causare gravi lesioni personali o mortali all'operatore o a terzi.

**Nota:** La normativa nazionale o locale può regolarnel'utilizzo. Assicurare la conformità alla normativa in vigore.

## Istruzioni di sicurezza per l'utilizzo



**AVVERTENZA:** Leggere le seguenti avvertenze prima di utilizzare il prodotto.

- **Evitare di utilizzare la macchina in condizioni climatiche sfavorevoli, soprattutto quando vi è il rischio di fulmini.** Ciò riduce il rischio di essere colpiti da un fulmine.
- **Ispezionare attentamente l'area in cui la macchina deve essere utilizzata per verificare la presenza di fauna selvatica.** Durante l'utilizzo, la macchina potrebbe causare lesioni alla fauna selvatica.
- **Ispezionare attentamente l'area in cui la macchina deve essere utilizzata e rimuovere sassi, bastoncini, cavi, ossa e qualsiasi altro oggetto estraneo.** Gli oggetti proiettati possono causare lesioni gravi.
- **Prima di utilizzare la macchina, effettuare sempre un controllo visivo per verificare che il tagliente e il gruppo tagliente non siano danneggiati.** Le parti danneggiate aumentano il rischio di lesioni.
- **Mantenere le protezioni in posizione. Le protezioni devono essere in buone condizioni e montate correttamente.** Una protezione allentata, danneggiata o non correttamente funzionante può provocare lesioni personali.
- **Tenere i detriti lontano dalle prese d'aria di raffreddamento.** L'ostruzione delle prese d'aria e i detriti possono causare surriscaldamento o rischio di incendio.
- **Indossare protezioni per gli occhi e per l'udito.** I dispositivi di protezione adeguati riducono le lesioni personali.
- **Durante l'utilizzo della macchina indossare sempre calzature antiscivolo e protettive. Non utilizzare la macchina a piedi nudi o indossando sandali aperti.** In questo modo si riduce il rischio di lesioni ai piedi dovute al contatto con il tagliente in movimento.
- **Indossare sempre indumenti, ad esempio pantaloni, che coprono le gambe dell'operatore durante l'utilizzo della macchina.** Il contatto con il tagliente o il filo in movimento può causare lesioni.

- **Tenere lontani i presenti mentre si utilizza la macchina.** I detriti lanciati possono provocare gravi lesioni personali.
- **Non utilizzare la macchina a un'altezza superiore a quella della vita.** Ciò aiuterà a impedire il contatto accidentale con il tagliente, consentendo un controllo migliore della macchina in situazioni impreviste.
- **Prestare attenzione quando si utilizza la macchina su erba bagnata. Procedere adagio, non correre.** In questo modo si riduce il rischio di scivolamento e caduta con conseguenti lesioni personali.
- **Non utilizzare la macchina su pendenze eccessivamente ripide.** In questo modo si riduce il rischio di perdita di controllo, scivolamento e caduta con conseguenti lesioni personali.
- **Quando si lavora su pendii, accertarsi sempre di avere una posizione stabile, lavorare sempre trasversalmente lungo i pendii, mai su o giù e prestare la massima attenzione quando si cambia direzione.** In questo modo si riduce il rischio di perdita di controllo, scivolamento e caduta con conseguenti lesioni personali.
- **Tenere tutti i cavi di alimentazione lontano dall'area di taglio.** I cavi di alimentazione potrebbero essere nascosti nelle siepi o nei cespugli ed essere tagliati accidentalmente dal filo o dal tagliente.
- **Tenere le parti del corpo lontane dal tagliente o dal filo del trimmer. Non rimuovere il materiale dalla macchina fino a quando non è stata scollegata dalla fonte di alimentazione.** Il tagliente o il filo in movimento del trimmer possono causare gravi lesioni personali.
- **Trasportare la macchina dopo averla spenta e tenendola lontana dal corpo.** La corretta movimentazione della macchina riduce il rischio di contatto accidentale con il tagliente o il filo in movimento del trimmer.
- **Utilizzare solo teste di taglio e taglienti o fili del trimmer di ricambio specificati dal produttore. Non sostituire i taglienti o i fili del trimmer con fili o lame in metallo.** Parti di ricambio non corrette possono causare perdita di controllo, rotture e lesioni.

## Dispositivi di protezione individuale



**AVVERTENZA:** Leggere le seguenti avvertenze prima di utilizzare il prodotto.

- Usare sempre abbigliamento protettivo personale omologato quando si utilizza il prodotto. L'uso di abbigliamento protettivo personale non elimina il rischio di lesioni, ma ne riduce la gravità in caso di incidente. Farsi consigliare dal rivenditore per la scelta dell'attrezzatura adatta.
  - Usare cuffie protettive omologate.
- (Fig. 17)
- Utilizzare protezioni per gli occhi omologate. Con l'uso della visiera è necessario anche l'uso di occhiali protettivi omologati. Con il termine occhiali

protettivi omologati si intendono occhiali che siano conformi alle norme ANSI Z87.1 per gli USA o EN 166 per i paesi EU.

(Fig. 18)

- Indossare guanti ove necessario, ad esempio per montare, ispezionare o pulire l'attrezzatura di taglio. (Fig. 19)
- Usare stivali protettivi con calotta in acciaio e suole antiscivolo.

(Fig. 20)

- Indossare indumenti di tessuto resistente. Indossare sempre pantaloni lunghi e pesanti e maniche lunghe. Non indossare indumenti larghi che potrebbero impigliarsi nei ramoscelli e nei rami. Non utilizzare gioielli, pantaloni corti o sandali. Non rimanere a piedi nudi. Raccogliere i capelli in modo sicuro sopra le spalle.
- Tenere a portata di mano la cassetta di primo soccorso.

(Fig. 21)

## Dispositivi di sicurezza sul prodotto



**AVVERTENZA:** Leggere le seguenti avvertenze prima di utilizzare il prodotto.

In questo capitolo vengono presentati i dispositivi di sicurezza del prodotto, la loro funzione, il controllo e la manutenzione necessari per assicurarne una funzione ottimale. Vedere le istruzioni alla sezione *Introduzione alla pagina 200* per individuare la posizione di queste parti sul prodotto.

La durata del prodotto può ridursi e il rischio di incidenti aumentare se la manutenzione non viene eseguita correttamente e se l'assistenza e/o le riparazioni non vengono effettuate da personale qualificato. Per ulteriori informazioni, contattare il rivenditore con assistenza più vicino.



**AVVERTENZA:** Non utilizzare mai un prodotto con dispositivi di sicurezza danneggiati. I dispositivi di sicurezza di sicurezza del prodotto vanno controllati e sottoposti a manutenzione secondo quanto descritto in questo capitolo. Se il prodotto non supera tutti i controlli, contattare un'officina per le necessarie riparazioni.



**ATTENZIONE:** Tutte le riparazioni e l'assistenza della macchina vanno eseguite da personale specializzato. Quanto detto vale in particolare per i dispositivi di sicurezza della macchina. Se la macchina non supera tutti i controlli sottoelencati, contattare l'officina autorizzata. L'acquisto di uno dei nostri prodotti garantisce

l'assistenza di personale qualificato. Se non avete acquistato la macchina presso un rivenditore con centro di assistenza, informatevi sull'ubicazione della più vicina officina autorizzata.

## Controllo della tastiera

1. Tenere premuto il pulsante di avvio/arresto (A). (Fig. 22)
  - a) Il prodotto è acceso quando il LED (B) si accende.
  - b) Il prodotto è spento quando il LED (B) si spegne.
2. Vedere *Tastiera alla pagina 211* se la spia di avvertenza (C) si accende o lampeggia.

## Controllo del fermo della leva di comando

Il blocco della leva di comando previene l'attivazione accidentale. Quando si preme il fermo della leva di comando (A), la leva comando (B) viene rilasciata. Rilasciando l'impugnatura, la leva comando e il fermo della leva comando ritornano entrambi alle posizioni iniziali. (Fig. 23)

1. Controllare che la leva di comando sia bloccata quando il fermo si trova nella posizione iniziale. (Fig. 24)
2. Premere la leva comando e accertarsi che ritorni nella posizione iniziale quando viene rilasciata. (Fig. 25)
3. Controllare che la leva di comando e il blocco si muovano liberamente e che la molla di ritorno funzioni correttamente. (Fig. 26)
4. Avviare il prodotto. Fare riferimento a *Avviamento del prodotto alla pagina 209*.
5. Applicare la massima potenza.
6. Rilasciare la leva comando e assicurarsi che il gruppo di taglio si arresti.

## Controllo della protezione del gruppo di taglio



**AVVERTENZA:** Non utilizzare un gruppo di taglio senza che sia stata montata un'apposita protezione approvata e fissata correttamente. Usare sempre la protezione del gruppo di taglio consigliata per il gruppo di taglio utilizzato, vedere *Dati tecnici alla pagina 213*. Il montaggio di una protezione del gruppo di taglio inadeguata o difettosa può provocare gravi lesioni personali.

La protezione del gruppo di taglio impedisce che gli oggetti vengano scagliati in direzione dell'operatore. Inoltre, la protezione del gruppo di taglio impedisce eventuali lesioni nel caso in cui si venga a contatto con il gruppo di taglio.

1. Arrestare il motore.
2. Eseguire un controllo visivo per verificare l'eventuale presenza di danni, ad esempio incrinature.
3. Se danneggiata, sostituire la protezione del gruppo di taglio.

### Attrezzatura di taglio

Selezionare l'attrezzatura di taglio corretta ed eseguire la manutenzione per:

- Ottenere le migliori prestazioni di taglio.
- Aumentare la durata dell'attrezzatura di taglio.



**AVVERTENZA:** Usare solo gruppi di taglio abbinati ai tipi di protezione da noi raccomandati! Vedere *Dati tecnici alla pagina 213*. Per un corretto montaggio del filo di taglio del trimmer e per la scelta di un filo del diametro adatto, vedere le istruzioni per il gruppo di taglio.



**AVVERTENZA:** Un'attrezzatura da taglio difettosa può aumentare il rischio di incidenti.



**AVVERTENZA:** Spegnerne sempre il motore prima di eseguire qualsiasi operazione sull'attrezzatura da taglio. Questo infatti continua a ruotare dopo aver rilasciato l'acceleratore. Accertarsi che l'attrezzatura da taglio sia completamente ferma e staccare il cappuccio della candela prima di iniziare qualunque operazione.

### Testina portafilo



**AVVERTENZA:** Accertarsi sempre che il filo di taglio sia ben avvolto attorno al tamburo per evitare vibrazioni dannose.

(Fig. 27)

- Utilizzare esclusivamente le testine portafilo e i fili di taglio consigliati.
- Utilizzare esclusivamente i gruppi di taglio consigliati.
- Una macchina piccola richiede una testina portafilo piccola e viceversa.
- La lunghezza del filo di taglio è importante. A parità di diametro, un filo più lungo richiede una maggiore potenza del motore rispetto a uno corto.
- Assicurarsi che il tagliente situato sulla protezione parasassi sia intatto. In questo modo, si taglia il filo alla lunghezza giusta.
- Per prolungarne la durata, immergere il filo in acqua per un paio di giorni prima dell'utilizzo.

## Sicurezza batterie



**AVVERTENZA:** Leggere le seguenti avvertenze prima di utilizzare il prodotto.

- Utilizzare solo la serie BLi e le batterie della serie 40-B. Per ulteriori dettagli, fare riferimento a *Dati tecnici alla pagina 213*. La batteria è codificata mediante software.
- Utilizzare solo la serie BLi e la serie di batterie 40-B ricaricabili come alimentazione per i soli prodotti correlati Husqvarna. Per evitare il rischio di lesioni, non utilizzare la batteria come fonte di alimentazione per altri dispositivi.
- Rischio di scosse elettriche. Non collegare i morsetti della batteria a chiavi, monete, viti o altro tipo di metallo. Ciò può causare un corto circuito della batteria.
- Non utilizzare batterie non ricaricabili.
- Non inserire oggetti nelle feritoie di aerazione della batteria.
- Tenere la batteria lontano dalla luce del sole, dal calore o da fiamme libere. La batteria può causare bruciacature e/o ustioni chimiche.
- Tenere la batteria lontano da pioggia e umidità.
- Tenere la batteria lontano da microonde e alta pressione.
- Non tentare di smontare o rompere la batteria.
- In caso di perdite dalla batteria, non lasciare che il liquido entri in contatto con il corpo o con gli occhi. In caso di contatto con il liquido, pulire l'area con grandi quantità di acqua e sapone e consultare un medico. In caso di contatto del liquido con gli occhi, non strofinare, ma sciacquare abbondantemente con acqua per almeno 15 minuti e chiamare un medico.
- Utilizzare la batteria a temperature comprese tra -10 °C (14 °F) e 40 °C (114 °F).
- Non pulire la batteria o il caricabatterie con acqua. Fare riferimento a *Per pulire il prodotto, la batteria e il caricabatterie alla pagina 211*.
- Non utilizzare una batteria difettosa o danneggiata.
- Conservare le batterie lontano da oggetti metallici, come ad esempio chiodi, viti o gioielli.
- Tenere la batteria fuori dalla portata dei bambini.

## Sicurezza del caricabatterie



**AVVERTENZA:** Leggere le seguenti avvertenze prima di utilizzare il prodotto.

- Rischio di scosse elettriche o cortocircuiti se non si osservano le istruzioni di sicurezza.
- Non utilizzare un caricabatterie diverso da quello fornito per il prodotto. Utilizzare i caricabatterie QC80 e 40-C80 per ricaricare la serie BLi e le batterie sostitutive della serie 40-B.

- Non tentare di smontare il caricabatterie.
- Non utilizzare un caricabatterie difettoso o danneggiato.
- Non sollevare il caricabatterie tramite il cavo di alimentazione. Per scollegare il caricabatterie da una presa di rete, tirare la spina. Non tirare il cavo di alimentazione.
- Tenere tutti i cavi e le prolunghie lontani da acqua, olio e bordi appuntiti. Fare attenzione affinché il cavo non si incastri in oggetti come, ad esempio, porte, recinti o simili.
- Non utilizzare il caricabatterie in prossimità di materiali infiammabili o materiali corrosivi. Accertarsi che il caricabatterie non sia coperto. Staccare la spina del caricabatterie in caso di fumo o incendio.
- Caricare la batteria solo in luoghi chiusi, in una posizione con un buon flusso d'aria e lontano dalla luce diretta del sole. Non caricare la batteria all'aperto. Non caricare la batteria in condizioni di umidità.
- Utilizzare esclusivamente il caricabatterie a temperature comprese tra 5 °C (41 °F) e 40 °C (104 °F). Utilizzare il caricabatterie in un ambiente con adeguato flusso d'aria, asciutto e privo di polvere.
- Non inserire oggetti nelle feritoie di raffreddamento del caricabatterie.
- Non collegare i terminali del caricabatterie a oggetti metallici, poiché si potrebbe provocare un cortocircuito del caricabatterie.
- Utilizzare prese di rete omologate che non siano danneggiate. Accertarsi che il cavo del caricabatterie non sia danneggiato. Se si utilizzano cavi di prolunga, accertarsi che questi non siano danneggiati.

- Non caricare batterie non ricaricabili nei caricabatterie.

## Istruzioni di sicurezza per la manutenzione



**AVVERTENZA:** Leggere le seguenti avvertenze prima di eseguire la manutenzione del prodotto.

- Rimuovere la batteria prima di eseguire la manutenzione, altri controlli o montare il prodotto.
- L'operatore deve eseguire solo gli interventi di manutenzione e assistenza indicati in questo manuale operatore. Rivolgersi al Centro di assistenza di competenza per interventi di manutenzione e assistenza più importanti.
- Non pulire la batteria o il caricabatteria con acqua. Detergenti aggressivi possono causare danni alla plastica.
- Se non si esegue la manutenzione, si riduce il ciclo di vita del prodotto e aumenta il rischio di incidenti.
- È necessaria una formazione specifica per eseguire tutti gli interventi di manutenzione e lavori di riparazione, in particolare per i dispositivi di sicurezza del prodotto. Se non vengono approvati tutti i controlli descritti nel presente manuale operatore, dopo aver eseguito la manutenzione, contattare il Centro di assistenza. La nostra azienda garantisce la disponibilità di personale qualificato per le riparazioni e l'assistenza del prodotto.
- Utilizzare unicamente ricambi originali.

## Montaggio

### Introduzione



**AVVERTENZA:** Leggere e comprendere il capitolo sulla sicurezza prima di montare il prodotto.

### Montaggio della protezione parasassi

1. Posizionare la protezione parasassi contro l'alloggiamento del motore. (Fig. 28).
2. Montare il bullone attraverso l'alloggiamento del motore e la protezione parasassi. (Fig. 29)
3. Serrare il bullone.

### Sostituzione della testina portafilo

1. Ruotare l'albero in uscita fino a quando il foro del menabrida non si allinea con il foro della scatola ingranaggi.
2. Inserire nel foro la spina di bloccaggio (B) per bloccare l'albero.

3. Ruotare la testina portafilo in senso antiorario. (Fig. 30)

### Montaggio dell'impugnatura ad anello

1. Installare le vite nell'impugnatura ad anello. (Fig. 31)
2. Assemblare l'impugnatura ad anello sul fissaggio dell'albero.
3. Serrare le viti.
4. Regolare l'impugnatura ad anello nella posizione corretta. Vedere *Regolazione dell'impugnatura ad anello e dell'asta telescopica alla pagina 209.*

### Montaggio dell'archetto di protezione per le piante

1. Montare l'archetto di protezione per le piante nei fori sull'alloggiamento del motore. (Fig. 32)
2. Assicurarsi che la protezione delle piante possa muoversi liberamente in avanti e all'indietro. (Fig. 33)

## Installazione del caricabatterie 40-C80 alla parete



**ATTENZIONE:** Non utilizzare un cacciavite elettrico per installare il

caricabatterie sulla parete. Un cacciavite elettrico può danneggiare il caricabatterie.

1. Installare il caricabatterie alla parete con le 2 viti (B). Se necessario, utilizzare tasselli per parete (A). (Fig. 34)
2. Installare i 2 tappi a vite con foro (C).
3. Collegare il cavo di alimentazione al caricabatterie e a una presa di corrente.

## Utilizzo

### Introduzione



**AVVERTENZA:** Leggere e comprendere il capitolo sulla sicurezza prima di utilizzare la macchina.

correttamente e non siano danneggiati prima di avviare il prodotto.

### Batteria



**AVVERTENZA:** Leggere e comprendere il capitolo sulla sicurezza prima di utilizzare la batteria. Leggere e comprendere il manuale operatore della batteria e del caricabatterie.

### Prima di utilizzare il prodotto

- Esaminare l'area di lavoro per accertarsi di conoscere il tipo di terreno. Esaminare la pendenza del terreno e verificare se sono presenti ostacoli, quali pietre, rami e fossati.
- Effettuare un'ispezione visiva generale del prodotto.
- Eseguire i controlli di sicurezza, manutenzione e assistenza indicati nel presente manuale.
- Controllare che il motore non sia sporco o danneggiato. Utilizzare una spazzola per pulire il motore da erba e foglie. Usare i guanti se necessario.
- Esaminare la testina portafilo e la protezione del gruppo di taglio per rilevare eventuali danni o incrinature. Sostituire la testina portafilo e la protezione del gruppo di taglio nel caso in cui siano stati colpiti o se presentano incrinature.
- Assicurarsi che i dadi e le viti siano serrati correttamente.
- Accertarsi che tutti i coperchi, le protezioni, le maniglie e l'attrezzatura di taglio siano collegati

Mantenere la batteria e il caricabatterie a una temperatura ambiente adeguata.

	Temperatura ambiente
Funzionamento della batteria	5 °C-40 °C / 41 °F-104 °F
Caricamento della batteria	5 °C-40 °C / 41 °F-104 °F

### Stato della batteria

Il display mostra lo stato di carica e se sussistono problemi con la batteria.

(Fig. 35)

Spia LED	Stato della batteria (stato di carica)	
	BLI10, BLI20	40-B70, 40-B140
4 LED sono accesi	N/D	La batteria è carica al 76% - 100%.
3 LED sono accesi	La batteria è carica al 76% - 100%.	La batteria è carica al 51% - 75%.
2 LED sono accesi	La batteria è carica al 51% - 75%.	La batteria è carica al 26% - 50%.
1 LED è acceso	La batteria è carica al 26% - 50%.	La batteria è carica al 6% - 25%.
1 LED lampeggia	La batteria è carica al 0% - 25%.	La batteria è carica al 0% - 5%.



## Ricarica della batteria

È necessario caricare la batteria prima di utilizzarla per la prima volta. Una batteria nuova è carica solo al 30 %.



**ATTENZIONE:** Collegare il caricabatterie a una presa di corrente con la tensione e la frequenza indicate sulla targhetta dati di funzionamento.

La batteria non si carica se la sua temperatura è superiore a 50 °C/122 °F.

1. Collegare il cavo di alimentazione al caricabatterie.
2. Collegare il caricabatterie a una presa di corrente con messa a terra. Il LED di carica lampeggia una volta. (Fig. 36)
3. Collegare la batteria al caricabatterie. Il LED di carica si accende. Caricare la batteria per massimo 24 ore. (Fig. 37)
4. Premere il pulsante della spia della batteria; se tutte le spie LED si accendono, la batteria è completamente carica.
5. Estrarre la spina di alimentazione per scollegare il caricabatterie dalla presa di corrente. Non tirare il cavo di alimentazione.
6. Rimuovere la batteria dal caricabatterie.

## Collegamento della batteria al prodotto



**AVVERTENZA:** Utilizzare solo la batteria Husqvarna originale per il prodotto.

1. Ricaricare completamente la batteria.
2. Spingere la batteria nel supporto della batteria del prodotto. La batteria si blocca in posizione quando si percepisce un clic. (Fig. 38)



**ATTENZIONE:** Se la batteria non entra facilmente nel relativo supporto, la batteria non è installata correttamente. Ciò può causare danni al prodotto.

## Avviamento del prodotto

1. Tenere premuto il pulsante d'avvio/arresto fino all'accensione del LED verde. (Fig. 39)
2. Premere la leva di comando e il relativo fermo. L'attrezzatura di taglio inizia a ruotare.

## Regolazione dell'impugnatura ad anello e dell'asta telescopica

1. Allentare l'impugnatura di bloccaggio e regolare l'impugnatura ad anello nella posizione corretta. (Fig. 40)
2. Chiudere l'impugnatura di bloccaggio.
3. Allentare la leva sull'albero. (Fig. 41)

4. Impostare la lunghezza necessaria sull'albero. Assicurarsi di poter vedere il triangolo sull'albero. (Fig. 42)
5. Chiudere la leva e serrare le vite.

**Nota:** Non attaccare l'impugnatura ad anello sulle decalcomanie di avvertenza sull'albero.

## Utilizzo della funzione SavE

Questo prodotto dispone di una funzione di risparmio energetico, SavE.

**Nota:** La funzione SavE non diminuisce la potenza di taglio del prodotto.

1. Premere il pulsante SavE sulla tastiera.
2. Accertarsi che il LED verde si accenda.
3. Premere nuovamente il pulsante SavE per scollegare la funzione. Il LED verde si spegne. (Fig. 43)

## Funzione di arresto automatico

Il prodotto dispone di una funzione di arresto che blocca il prodotto in caso di inutilizzo. Il LED verde di avvio/arresto si spegne e il prodotto si ferma per 180 secondi.

## Utilizzo del prodotto

### Taglio dell'erba

1. Mantenere la testina portafilo a poca distanza dal terreno ed angolarla. Non spingere il filo del trimmer nell'erba. (Fig. 44)
2. Ridurre la lunghezza del filo del trimmer di 10-12 cm / 4-4,75 in.
3. Diminuire il regime del motore per ridurre il rischio di danneggiare le piante.
4. Utilizzare l'80% dell'acceleratore durante il taglio dell'erba in prossimità di oggetti. (Fig. 45)

### Sfoltimento erba

1. Mantenere la testina portafilo sopra il terreno.
2. Inclinare la testina portafilo.
3. Eseguire il taglio con l'estremità del filo del trimmer intorno agli oggetti presenti nell'area di lavoro.



**ATTENZIONE:** Taglio dell'erba. Altri oggetti colpiti dal filo del trimmer ne aumentano l'usura.

### Taglio dell'erba

1. Assicurarsi che la linea del trimmer sia parallela al terreno durante il taglio dell'erba. (Fig. 46)
2. Non spingere la testina portafilo a terra. Ciò può causare danni al prodotto.

3. Spostare il prodotto da un lato all'altro quando si taglia l'erba. Utilizzare la velocità massima. (Fig. 47)

### Rimozione dell'erba

Il flusso d'aria dal filo di taglio in rotazione del trimmer può essere utilizzata per rimuovere erba tagliata da un'area.

1. Mantenere la testina portafilo e il filo di taglio paralleli al terreno e sopra di esso.
2. Accelerare al massimo.
3. Spostare la testina portafilo da un lato all'altro e spazzare via l'erba.



**AVVERTENZA:** Pulire il coperchio della testina portafilo ogni volta che si monta un nuovo filo di taglio per prevenire lo sbilanciamento e le vibrazioni delle

impugnature. Eseguire un controllo delle altre parti della testina portafilo e pulirla, se necessario.

### Arresto del prodotto

1. Rilasciare la leva di comando e il fermo della leva comando.
2. Premere il pulsante di avvio/arresto fino a quando il LED verde non si spegne.
3. Premere i pulsanti di rilascio sulla batteria ed estrarre la batteria dal prodotto. (Fig. 48)

### Sostituzione del filo del trimmer

Fare riferimento all'ultima pagina del presente manuale per l'operatore.

## Manutenzione

### Introduzione



**AVVERTENZA:** Leggere attentamente il capitolo sulla sicurezza prima di eseguire la manutenzione del prodotto.

### Programma di manutenzione



**AVVERTENZA:** Rimuovere la batteria prima di eseguire la manutenzione.

Qui di seguito è disponibile una lista delle operazioni di manutenzione da eseguire sul prodotto. Per ulteriori informazioni, vedere *Manutenzione alla pagina 210*.

Manutenzione	Giornaliera	Una volta a settimana	Una volta al mese
Pulire le parti esterne del prodotto con un panno asciutto. Non utilizzare acqua.	X		
Controllare che il pulsante di avvio/arresto funzioni correttamente e sia integro.	X		
Assicurarsi che il fermo della leva comando e la leva comando funzionino correttamente e in modo sicuro.	X		
Accertarsi che tutti i comandi funzionino e non siano danneggiati.	X		
Mantenere le impugnature asciutte, pulite e prive di olio e grasso.	X		
Assicurarsi che il gruppo di taglio non sia danneggiato. Se danneggiato, sostituire il gruppo di taglio.	X		
Accertarsi che la protezione del gruppo di taglio non sia danneggiata. Se danneggiata, sostituire la protezione del gruppo di taglio.	X		
Assicurarsi che i dadi e le viti siano serrati a fondo.	X		
Accertarsi che i pulsanti di rilascio sulla batteria funzionino e che tengano la batteria bloccata nel prodotto.	X		
Verificare che il caricabatterie sia integro e funzioni correttamente.	X		
Verificare che la batteria non sia danneggiata.	X		
Verificare che la batteria sia carica.	X		

Manutenzione	Giornaliera	Una volta a settimana	Una volta al mese
Verificare che il caricabatterie non sia danneggiato.	X		
Esaminare tutti i cavi, gli accoppiamenti e i raccordi. Verificare che siano integri e privi di sporcizia.		X	
Effettuare un controllo dei collegamenti tra la batteria e il prodotto. Controllare il collegamento tra la batteria e il caricabatterie.			X

## Controllo della batteria e del caricabatterie

1. Controllare se la batteria presenta danni, ad esempio incrinature.
2. Controllare se il caricabatterie presenta danni, ad esempio incrinature.
3. Verificare che il cavo di collegamento del caricabatterie non sia danneggiato e che non presenti crepe.

## Per pulire il prodotto, la batteria e il caricabatterie

1. Pulire il prodotto con un panno asciutto dopo l'uso.
2. Pulire la batteria e il caricabatterie con un panno asciutto. Mantenere puliti i binari guida della batteria.

3. Assicurarsi che i morsetti della batteria e il caricabatterie siano puliti prima di posizionare la batteria nel caricabatterie o nel prodotto.

## Ispezione e sostituzione della testina portafilo

1. Controllare se la testina portafilo è danneggiata o se presenta incrinature.
2. Estrarre il gruppo di scarico del filo del trimmer.
3. Rimuovere la testina portafilo. (Fig. 49)
4. Sostituire la testina portafilo.
5. Montare la testina portafilo. Fare riferimento a *Sostituzione della testina portafilo alla pagina 207.*

## Ricerca guasti

### Tastiera

Schermata dei LED	Possibili guasti	Soluzioni possibili
Il LED di errore lampeggia.	Sovraccarico	Il gruppo di taglio non può muoversi liberamente. Rilasciare il gruppo di taglio.
	Deviazione di temperatura	Lasciar raffreddare il prodotto.
Il prodotto non si avvia.	Premere la leva di comando e contemporaneamente premere il pulsante di avvio.	Rilasciare la leva di comando e arrestare il prodotto.
Il LED di errore si accende di colore rosso.	È necessario eseguire la manutenzione del prodotto.	Contattare il centro di assistenza.

### Batteria

Display a LED	Possibili guasti	Possibile soluzione
Il LED verde lampeggia.	La tensione della batteria è bassa.	Caricare la batteria.

Display a LED	Possibili guasti	Possibile soluzione
Il LED di errore lampeggia.	Deviazione di temperatura.	Utilizzare la batteria a temperature comprese tra -10 °C (14 °F) e 40 °C (104 °F).
	Tensione eccessiva.	Accertarsi che la tensione di rete corrisponda a quella indicata sulla targhetta dati di funzionamento del prodotto. Rimuovere la batteria dal caricabatterie.
Il LED di errore è acceso.	Differenza troppo elevata nella cella (1 V).	Contattare il centro di assistenza.

## Caricabatteria

Problema	Possibili guasti	Soluzione possibile
Il LED di carica è rosso.	Errore permanente del caricabatterie.	Rivolgersi al proprio rivenditore.
Il LED di carica lampeggia in verde.	Deviazione di temperatura, la batteria è troppo fredda o troppo calda per essere usata o caricata.	Lasciare raffreddare la batteria o riscaldarla. Quando la batteria ha la temperatura corretta, può essere usata o caricata di nuovo. Utilizzare il caricabatterie a temperature ambiente comprese tra 5 °C (41 °F) e 40 °C (104 °F).
Il LED di carica lampeggia in rosso.	Batteria difettosa.	Rivolgersi al proprio rivenditore.

## Trasporto, stoccaggio e smaltimento

### Trasporto e rimessaggio

- Le batterie agli ioni di litio in dotazione rispettano i requisiti di legge sulle merci pericolose.
- Rispettare i requisiti speciali riportati sulla confezione e sulle etichette per il trasporto commerciale, compreso quello effettuato da terzi e da corrieri.
- Parlare con personale che ha seguito una formazione specifica in materiali pericolosi prima di inviare il prodotto. Rispettare tutte le norme nazionali vigenti.
- Quando si inserisce la batteria in un contenitore, applicare del nastro adesivo sui contatti aperti. Inserire la batteria nel contenitore in modo da garantirne la massima aderenza.
- Rimuovere la batteria per la conservazione o il trasporto.
- Conservare la batteria e il caricabatterie in un luogo asciutto, privo di umidità e protetto dal gelo.
- Non conservare la batteria in aree elettricamente statiche. Non conservare mai la batteria in una scatola di metallo.
- Durante il rimessaggio, conservare la batteria in un luogo dove la temperatura è compresa tra 5 °C/41 °F e 25 °C/77 °F e lontano da luce solare.
- Durante il rimessaggio, conservare il caricabatterie in un luogo dove la temperatura è compresa tra 5 °C/41 °F e 45 °C/113 °F e lontano da luce solare.
- Utilizzare il caricabatterie soltanto quando la temperatura circostante è compresa tra 5 °C/41 °F e 40 °C/104 °F.
- Caricare la batteria dal 30% al 50% prima di immagazzinarla per lunghi periodi.
- Conservare il caricabatterie in un luogo chiuso e asciutto.
- Tenere la batteria lontano dal caricabatterie durante il rimessaggio. Non lasciare che i bambini e altre persone non autorizzate tocchino l'attrezzatura. Mantenere le attrezzature in un luogo che è possibile chiudere.
- Pulire il prodotto ed eseguire una manutenzione completa prima di conservarlo per lunghi periodi.
- Utilizzare la protezione di trasporto sul prodotto per evitare che si danneggi durante il trasporto e il rimessaggio.

- Bloccare il prodotto in modo sicuro durante il trasporto.

## Smaltimento della batteria, del caricabatterie e del prodotto

I simboli sul prodotto o sull'imballaggio indicano che il presente prodotto non è rifiuto domestico. Riciclarlo

in una stazione di riciclaggio per apparecchiature elettriche ed elettroniche. Ciò contribuisce ad evitare danni all'ambiente e alle persone.

Contattare le autorità locali, il servizio per i rifiuti domestici o il rivenditore per ulteriori informazioni su come riciclare il prodotto.

## Dati tecnici

### Dati tecnici

	<b>215iL</b>
<b>Motore</b>	
Tipo di motore	BLDC
Regime albero in uscita, giri/min	6800
Larghezza di taglio, mm	310
<b>Peso</b>	
Peso senza batteria, kg	2,9
<b>Emissioni di rumore</b> <sup>37</sup>	
Livello di potenza acustica, misurato dB(A)	90,5
Livello acustico, garantito L <sub>WA</sub> dB(A)	92
<b>Livelli di rumorosità</b> <sup>38</sup>	
Livello di pressione acustica equivalente rispetto all'udito dell'operatore, misurato in base alla norma EN ISO 50636-2-91, dB(A):	74,9
<b>Livelli di vibrazioni</b> <sup>39</sup>	
Livelli di vibrazioni delle impugnature, misurati in base alla norma EN50636-2-91, m/s <sup>2</sup>	4,5 / 2,7
Dotato di testina portafilo (originale), anteriore/posteriore	

### Batterie approvate per il prodotto

Batteria	BLI10	BLI20	40-B70	40-B140
Tipo	Ioni di litio	Ioni di litio	Ioni di litio	Ioni di litio

<sup>37</sup> Emissioni di rumore nell'ambiente misurate come potenza sonora (L<sub>WA</sub>) in base alla direttiva CE 2000/14/CE. La differenza tra potenza acustica misurata e garantita è che la potenza acustica garantita comprende anche la dispersione nel risultato di misurazione e le variazioni tra diversi prodotti dello stesso modello come da Direttiva 2000/14/CE.

<sup>38</sup> I dati riportati per il livello di pressione acustica equivalente del macchinario hanno una dispersione statistica tipica (deviazione standard) di 2,5 dB (A).

<sup>39</sup> I dati riportati per il livello di vibrazioni presentano una dispersione statistica tipica (deviazione standard) di 1,5 m/s<sup>2</sup>.

Batteria	BLi10		BLi20		40-B70	40-B140
Capacità batteria, Ah	Fare riferimento alla decalcomania dei valori nominali della batteria		Fare riferimento alla decalcomania dei valori nominali della batteria		Fare riferimento alla decalcomania dei valori nominali della batteria	Fare riferimento alla decalcomania dei valori nominali della batteria
Tensione nominale, V	36	36,5	36	36,5	36	36
Peso, lb/kg	0,7	0,7	1,2	1,2	0,8	1,25

### Caricabatterie approvati per il prodotto

Caricabatteria	QC80	40-C80
Tensione di rete, V	100-240	100-240
Frequenza, Hz	50-60	50-60
Potenza, W	100	72
Tensione di uscita, V c.c. / amp, A	36/2	43/1,6

---

## Accessori

---

### Accessori omologati

Accessori omologati	Tipo	Protezione gruppo di taglio, n° codice
Testina portafilo	R25B (filo Ø 2 mm)	529 96 69-01

# Dichiarazione di conformità

## Dichiarazione di conformità UE

Husqvarna AB, SE-561 82 Huskvarna, Svezia, tel.:  
+46-36-146500, dichiara sotto la propria esclusiva  
responsabilità che il prodotto indicato:

<b>Descrizione</b>	Trimmer per prato a batteria
<b>Marchio</b>	Husqvarna
<b>Tipo/Modello</b>	215iL
<b>Identificazione</b>	Numeri di serie a partire da 2024 e successivi

È pienamente conforme alle seguenti norme e direttive  
UE:

Direttiva/Normativa	Descrizione
2006/42/CE	"sulle macchine"
2014/30/EU	"sulla compatibilità elettromagnetica"
2000/14/CE	"sull'emissione di rumore nell'ambiente"
2011/65/UE	"sulla restrizione dell'uso di determinate sostanze pericolose nelle apparecchiature elettriche ed elettroniche"

e che sono applicati gli standard e/o le specifiche  
tecniche seguenti: EN 60335-1:2012/A15:2021, EN  
50636-2-91:2014, EN IEC 63000:2018, EN IEC  
55014-1:2021; EN IEC 55014-2:2021.

Organo competente: 0197 TÜV Rheinland LGA  
Products GmbH, Tillystraße 2, 90431 Nürnberg,  
Germany ha certificato la conformità alla Direttiva del  
Consiglio 2000/14/CE, procedura di valutazione della  
conformità: Allegato VI

Per informazioni sulle emissioni acustiche, fare  
riferimento a *Dati tecnici alla pagina 213*.

Huskvarna, 2024-02-01



Claes Losdal, Responsabile ricerca e sviluppo,  
Husqvarna AB

Responsabile della documentazione tecnica



## 目次

はじめに.....	216	搬送、保管、廃棄.....	228
安全性.....	217	主要諸元.....	228
組立.....	223	アクセサリ.....	229
Operation ( 操作 ) .....	223	適合宣言.....	230
メンテナンス.....	225	付録 .....	454
トラブルシューティング.....	227		

## はじめに

### 製品の説明

Husqvarna 215iL は、電気モーターで動作するバッテリー式芝生用トリマーです。

弊社では、皆様の安全と作業の効率性を向上させるため、常に製品の改善に力を入れています。詳しくは、サービス代理店までお問い合わせください。

### 用途

本製品は、非金属製のナイロンコード、非金属製のストリング、または同等の非金属製のフレキシブルな切削部

品と併用して使用します。本製品は、雑草、芝生、またはそれらに類似したやわらかい植物の刈り取り以外の作業には使用しないでください。

**注記：**本製品の使用においては、国内の規制が課せられる場合があります。

### 製品の概要

(図 1)

1. トリマーヘッド
2. カuttingアタッチメントガード
3. シャフト
4. シャフト調整 ( テレスコープ )
5. ループハンドル
6. キーパッド
7. キーパッド警告インジケータ
8. START/STOP ボタン
9. SavE ボタン
10. パワートリガー
11. パワートリガーロック
12. 電源オン / 警告インジケータ
13. コネクタ
14. バッテリー充電器 40-C80
15. バッテリー充電器 QC80
16. 電源ケーブル
17. プラントガード
18. バッテリー警告インジケータ
19. バッテリーステータス
20. バッテリーインジケータボタン
21. [ Battery release ( バッテリーリリース ) ] ボタン
22. バッテリー
23. コンビツール
24. 取扱説明書

(図 5) 雨が当たらないようにしてください。

(図 6) 環境に対する騒音レベルは EU 指令 ( ニューサウスウェールズ法管轄を含む ) および UK 規制に準拠しています。騒音排出データは、本機のステッカーと主要諸元の章に記載されています。

(図 7) 本製品に他の人を近づけないでください。

(図 8) メンテナンスの前にはバッテリーを外してください。

(図 9) 本製品や本製品のパッケージは、一般廃棄物ではありません。電気・電子機器のリサイクル業者にリサイクルを依頼してください。

(図 10) 本製品は EU 指令適合製品です。

(図 11) 本製品は UK 規制適合製品です。

(図 12) 直流。

yyyywwxxxx

製造番号は銘板またはレーザー印刷に記載されていません。yyyy は製造年、ww は製造された週です。

### 製品に表記されるシンボルマーク

(図 2) 警告：本製品の使用は危険を伴います。操作者や付近にいる人が重傷を負う、または死亡するおそれがあります。十分に注意して本製品を正しく使用してください。

(図 3) この取扱説明書をよくお読みになり、内容をしっかりと把握したうえで、使用してください。

(図 4) 防護メガネを使用してください。

### バッテリーやバッテリー充電器のシンボルマーク

(図 16) 電気・電子機器のリサイクル業者にリサイクルを依頼してください。(ヨーロッパにのみ適用)

(図 13) 安全装置付き変圧器。



(図 14) バッテリー充電器は屋内でのみ使用、保管してください。

(図 15) 二重絶縁。

## 製品の損傷

以下の場合、当社は製品の損傷について責任を負いません。

- 本製品が誤って修理された場合。
- メーカーによるものではない部品、またはメーカーの認可していない部品を使用して本製品を修理した場合。
- メーカーによるものではないアクセサリ、またはメーカーの認可していないアクセサリを本製品に使用した場合。
- 認定サービスセンターまたは認定販売店で本製品が修理されていない場合。

## 安全性

### 安全性の定義

警告、注意、注記は、取扱説明書の特に重要な部分を示しています。



**警告：** 取扱説明書の指示に従わない場合、使用者が負傷したり、死亡したりするが、あるいは付近の人に損傷を与える危険があることを意味します。



**注意：** 取扱説明書の指示に従わない場合、製品や他の物品、または隣接するエリアに損傷を与える危険があることを意味します。

**注記：** 特定の状況で必要とされる詳細情報を提供するために使用されます。

### パワーツールの一般的な安全上の警告



**警告：** 警告および指示はすべて読んでください。警告や指示に従わない場合、感電、火災、あるいは深刻な傷害を招くことがあります。

**注記：** すべての警告や説明は、以後の参考のために保管してください。警告の「パワーツール」とは、電源で動作する（コード付）パワーツールまたはバッテリー駆動（コードレス）のパワーツールを指します。

### 始動前の点検

- 本製品が誤って始動しないように、製品を使用しない時はバッテリーを常に取り外してください。本製品のメンテナンスを行う前に、必ずバッテリーを外してください。
- 本製品の使用前と、何らかの衝撃を受けた後は、磨耗や破損の兆候がないが確認の上、必要があれば修理してください。
- 作業エリアを点検します。石や割れたガラス、くぎ、鋼線、ひもなど、固定されており飛ばされたりカッターやカッターガードに絡まったりしそうなものをすべて取り除きます。

- 汚れやヒビがないかモーターを点検します。ブラシを使用してモーターから草や葉を落とします。必要に応じて、手袋を着用してください。
- トリマーヘッドが完全にトリマーに装着されているか確認します。
- 本製品が正常に動作することを確認してください。すべてのナットとネジが確実に締められているかどうかを確認します。
- トリマーヘッドとトリマーガードに損傷やひびのないことを確認します。トリマーヘッドやトリマーガードが衝撃を受けたり、ひびが入っている場合は交換します。使用するカッティングアタッチメントに推奨のガードを必ず使用してください。「主要諸元」の章を参照してください。
- 本製品の使用者は、作業中に人や動物が 15 メートル以内近づかないように注意する必要があります。同じエリアに数人の作業者がいる場合、安全距離を 15 メートル以上とる必要があります。
- 使用前に本製品全体の点検を実施してください。メンテナンスのスケジュールに目を通してください。
- 使用には、国や地方により、規制が課せられる場合があります。所定の規制に従ってください。

### 作業エリアの安全

- 作業場所を清潔に、照明を明るく保ちます。乱雑な、あるいは暗い場所では、事故が起こりやすくなります。
- 可燃性の液体や気体、塵がある所など、爆発性雰囲気の中でパワーツールを動作させないでください。パワーツールは、塵やガスを発火させる火花を発生させます。
- パワーツールの操作中は子供やそばにいる人たちと十分な距離を置いてください。注意が散漫になると、操作ミスを引き起こす可能性があります。

### 電気保安

- パワーツールのプラグはコンセントに適合しなければなりません。決してプラグを改造しないでください。アダプタープラグをアースの付いた（接地された）パワーツールとともに使用しないでください。改造されていないプラグおよび型の同じコンセントを使用すれば、感電のリスクが低くなります。
- パイプやラジエータ、レンジ、冷蔵庫など、アースの付いた表面または接地された表面に触れないようにしてください。体が接地していたりアースされていたりすると、感電のリスクが高くなります。

- ・ パワーツールを雨露や湿潤な環境に曝さないでください。パワーツール内に水が浸入すると、感電のリスクが高まります。
- ・ コードを本来の目的以外に使用しないでください。コードを持ってパワーツールを移動したり、引っ張ったり、電源を抜いたりすることのないようにしてください。熱やオイル、とがった先端や可動部品にコードを近づけないでください。コードが破損したり絡まると、感電のリスクが高くなります。
- ・ 屋外でパワーツールを操作する場合は、屋外での使用に適した延長コードを使用してください。屋外での使用に適したコードを使用することで、感電の危険性は少なくなります。
- ・ 湿気のある場所でパワーツールを操作せざるを得ない場合は、電源を保護するために漏電遮断器（RCD）を使用してください。RCDは感電の危険を低減します。

## 個人の安全

- ・ パワーツールを操作するときは、十分に気をつけて慎重に行動し、常識に従ってください。疲れているときや、医薬品およびアルコールの影響が残っている状態でパワーツールを使用しないでください。パワーツールの操作中は、一瞬の不注意が重大な傷害につながる可能性があります。
- ・ 身体保護具を使用してください。常に眼の保護具を着用してください。防護マスクや滑り止め用の安全靴、ヘルメット、イヤマフを使用すると、負傷の危険性が少なくなります。
- ・ 予期せぬ始動を防止します。電源およびバッテリーパックを接続したり、ツールを拾ったり運ぶ前に、必ずスイッチがオフの位置にあることを確認してください。スイッチに指を置いてパワーツールを運んだり、スイッチが入った状態でパワーツールに圧力をかけると、事故につながります。
- ・ パワーツールをオンにする前に、調整キーとレンチを外してください。パワーツールの回転部品にレンチやキーが取り付けられたままになっていると、怪我の原因となります。
- ・ 無理な体勢で作業しないでください。常に、安定した足場とバランスを保つようにしてください。こうすることで、予期しない事態でもパワーツールを安定した状態に保つことができます。
- ・ 適切な服装を心がけてください。ゆったりした衣服や装身具を身につけないでください。可動部品に髪の毛や衣服を近づけないでください。ゆったりした衣服や装身具、長髪は可動部品に絡まるおそれがあります。
- ・ 集塵装置の接続用装備が提供されている場合、それらが接続されて正しく使用されているか確認してください。集塵装置を使用すると、塵に関連する危険を回避できます。
- ・ ツールを頻繁に使用することによる慣れで、安全への関心を失ってツールの安全原則を無視することは非常に危険です。不注意により、一瞬で深刻な事故が発生するおそれがあります。
- ・ パワーツールの使用で発生する実際の振動は、公称合成振動値と異なり、ツールの使用方法に依存します。作業者は、自分自身を保護する目的で、実際の使用状況（ツールの電源をオフにする回数および、

トリガー動作やアイドル運転の回数など、運転サイクルのあらゆる部分を考慮）における振動暴露予測を基本にした安全対策を確認する必要があります。

## パワーツールの使用と手入れ

- ・ パワーツールを無理に使用しないでください。用途に合った正しいパワーツールを使用してください。正しいパワーツールを使用した方が、意図された速度でより良く安全に作業を行えます。
- ・ スイッチが機能しない場合はパワーツールを使用しないでください。スイッチで制御できないパワーツールは危険なため、修理する必要があります。
- ・ パワーツールの調整、アクセサリの変更、またはパワーツールの保管前は、電源プラグを外し、パワーツールからバッテリーパックを取り外してください（着脱可能な場合）。予防的な安全対策を行うことで、誤ってパワーツールを始動させる危険性が少なくなります。
- ・ 使用していないパワーツールは子供の手の届かない所に保管して、パワーツールやこの取扱説明書に詳しくない人間がパワーツールを操作しないように注意してください。不慣れたユーザーがパワーツールを扱うと危険です。
- ・ パワーツールとアクセサリをメンテナンスします。可動部品の誤調整や巻き付き、部品の破損やパワーツールの動作に影響する他の状態がないかどうか確認します。破損している場合は、使用前にパワーツールを修理してください。ほとんどの事故は、正しいメンテナンスを受けていないパワーツールが原因です。
- ・ 切削工具は研いだ状態で清潔に保ちます。正しくメンテナンスされて研いである切削工具は、バインドすることも少なく、制御が簡単です。
- ・ パワーツール、アクセサリ、工具ビットなどは、これらの取扱説明書に従って使用し、作業条件および行う作業を考慮してください。意図されていない作業でパワーツールを使用すると、危険な状況を招くことがあります。
- ・ ハンドル部および保持面は乾燥させて、オイルや油が付着しないようにきれいな状態を保ってください。ハンドルと保持面が滑りやすいと、予期しない状況でツールの安全な取り扱いや制御ができません。

## バッテリーツールの使用と手入れ

- ・ メーカー指定の充電器のみを使って充電してください。1種類のバッテリーパックのみに適合する充電器は、それ以外のバッテリーパックの充電で使用した場合、火災を起こす恐れがあります。
- ・ 製品には、指定された専用バッテリーパックのみ使用してください。それ以外のバッテリーパックを使用すると、怪我や火災を招く危険があります。
- ・ バッテリーパックを使用しないときは、ペーパーリップ、コイン、キー、爪ぎり、ネジなどの金物、あるいは端子間を短絡するおそれがある他の小さな金物から遠ざけるようにしてください。バッテリー端子の短絡は、火傷や火災を引き起こす恐れがあります。
- ・ 劣悪な環境では、液体がバッテリーから漏れ出すことがあります。そのような場合、液体には触れない

ようご注意ください。もし万が一誤って触れてしまった場合、水で洗い流してください。液体が目に入ってしまった場合、医師の診察を受けてください。バッテリーから漏れ出した液体は、炎症や火傷を引き起こすことがあります。

- 損傷した、または改造されたバッテリーパックやツールは使用しないでください。故障した、または改造されたバッテリーは、予測不可能な挙動を引き起こす可能性があります。
- バッテリーパックやツールを火や高温にさらさないでください。火または 130 °C 以上の温度環境にさらすと爆発する恐れがあります。
- 充電の手順にすべて従い、指示された温度範囲外でバッテリーパックまたはツールを充電しないでください。充電を不適切に行ったり、指定された範囲から外れた温度環境で行ったりした場合、バッテリーの損傷や火災発生の危険の増加につながる可能性があります。

## サービス

- パワーツールのサービスは、資格のある修理担当者が同じ交換部品を使って行うようにしてください。こうすることで、パワーツールの安全性を維持できます。
- 損傷したバッテリーパックを決して修理しようとししないでください。バッテリーパックの修理は、製造元または認定サービス代理店が行えません。

## いつも常識のある取り扱いを

起こり得る状況をすべて予測し、対応することは不可能です。常に注意を払い、常識に合った使用方法で操作してください。使用者の能力範囲外であると思われる場合は、操作を行わないでください。これらの注意事項を読んだ後でも、不明点などがある場合は、使用を続けずに専門コンサルタントにご相談ください。



**警告：** 本機を子供に使用させたり、本機の付近に子供を近づけたりしないでください。本機は簡単に始動できるため、十分に監視していなければ子供が始動することも可能です。重大な身体的傷害を引き起こす危険があります。そのため、本機が十分な監視下でない場合はバッテリーを外してください。

## 一般的な安全注意事項



**警告：** 本製品を使用する前に、以下の警告指示をお読みください。

- 本製品が誤って始動しないように、本製品を使用しない時はバッテリーを取り外してください。
- 本製品は、慎重かつ適切に使用しないと、危険な道具となります。本製品により、作業や付近にいる人が重傷を負う、または死亡するおそれがあります。

- 本製品が初期仕様から変更された場合は、本製品を使用しないでください。メーカーからの承認を受けずに本製品の部品を交換しないでください。メーカーが認可した部品のみを使用してください。誤ってメンテナンスすると、負傷または死亡に至る可能性があります。
- 使用前に本製品を点検してください。参照：始動前の点検 217 ページおよび 本製品を操作する前に 223 ページ。損傷した製品や正しく動作しない製品は使用しないでください。この取扱説明書の内容に従って、安全点検、メンテナンス、サービスを行ってください。
- 子供が本製品で遊ばないように、監視する必要があります。子供、または本製品やバッテリーの扱いに不慣れな人が本製品を使用しないようにしてください。地域の法律によっては、作業者の年齢制限が設けられている場合があります。
- 本製品は鍵のかかる場所に保管して、子供や許可を得ていない人が近づけないようにしてください。
- 本製品は子供の手の届かない場所に保管してください。
- いかなる理由であれ、製造者の承認を得ることなく本製品の設計に変更を加えないでください。常に純正の部品をお使いください。不認可の設計変更や付属品は、使用者や付近にいる人の重傷や致命傷の原因となることがあります。

**注記：** 使用には、国や地方の法令により、規制が課せられる場合があります。所定の規制に従ってください。

## 操作のための安全注意事項



**警告：** 本製品を使用する前に、以下の警告指示をお読みください。

- 悪天候の場合、特に雷発生の危険がある場合は、本製品を使用しないでください。これは、落雷の危険を避けるためです。
- 本製品を使用するエリアの野生動物について十分に調査してください。本製品の動作中に野生動物が負傷する可能性があります。
- 本製品を使用するエリアを十分に調査して、すべての石、枝、ケーブル、骨などの異物を取り除いてください。飛んでくる物によって負傷する可能性があります。
- 本製品を使用する前に、必ずカッターとカッターアセンブリに損傷がないことを目視点検してください。パーツに損傷があると、負傷の可能性が高くなります。
- ガードを取り付けてください。適切に動作するガードを正しく取り付ける必要があります。ガードに緩みや損傷がある場合や適切に動作しない場合は、負傷につながるおそれがあります。
- すべての冷却用吸気口から異物を取り除いてください。冷却用吸気口が異物で塞がれていると、火災を引き起こす危険性があります。

- 保護メガネとイヤマフを着用してください。適切な身体保護具によって負傷を減少させることができます。
- 本製品の操作中は常に滑りにくい保護靴を着用してください。裸足やサンダルで本製品の操作をしないでください。動作中のカッターと足が接触しないようにすることで負傷の可能性が減少します。
- 本製品の操作中は、使用者の足を覆うズボンなどを常に着用してください。動作中のカッターやナイロンコードに接触すると、負傷につながるおそれがあります。
- 本製品の操作中は、人を近づけないようにしてください。破片が飛んで重大な負傷につながるおそれがあります。
- 本製品は腰よりも上の高さで操作しないでください。カッターが偶発的に何かに接触するのを防ぐことができ、不測の事態でも本製品を適切に制御することが可能になります。
- 濡れている芝に本製品を使用する場合は注意してください。歩きながら操作し、決して走らないでください。滑って転倒して負傷する可能性が減少します。
- 本製品は急斜面では使用しないでください。制御が効かずに滑って転倒して負傷する可能性が減少します。
- 斜面で作業する場合は、常に足元を確認して、斜面を上下することは避けて横方向に移動してください。方向を変えるときは特に注意を払ってください。制御が効かずに滑って転倒して負傷する可能性が減少します。
- すべての電源コードとケーブルを芝刈りエリアから離してください。生け垣や藪に隠れた電源コードやケーブルがナイロンコードやカッターによって誤って切断される可能性があります。
- 体のあらゆる部分を、トリマーカッターやナイロンコードから遠ざけるようにしてください。電源の接続を外すまでは、本製品の付着物を清掃しないでください。トリマーカッターやナイロンコードが動作して、重大な負傷につながるおそれがあります。
- 本製品を運ぶ場合は、スイッチをオフにして体から離してください。本製品を適切に取り扱うことで、誤って動作中のトリマーカッターやナイロンコードと接触する可能性が減少します。
- 必ずメーカー指定のカットングヘッドとトリマーカッターまたはナイロンコードと交換してください。トリマーカッターやナイロンコードを金属のワイヤーやブレードと交換しないでください。交換パーツが不適切な場合は、制御を失ったり、破損や負傷したりする可能性があります。

## 身体保護具



**警告：** 本製品を使用する前に、以下の警告指示をお読みください。

- 本製品を使用するときは、常に、認可された身体保護具を着用してください。身体保護具で怪我を完全に防止できるわけではありませんが、万が一事故が起こった場合、負傷の度合いを軽減することができます。

ます。適切な保護具の選択については、販売店にご相談ください。

- 認可されたイヤマフを使用してください。

(図 17)

- 認可された防護メガネを使用してください。バイザーを使用する場合は、認可された防護ゴーグルも使用する必要があります。認可された保護メガネは、米国の ANSI Z87.1 規格または EU 諸国の EN 166 に適合しなければなりません。

(図 18)

- カットング装置の取り付け、点検、清掃を行う場合は、必要に応じて保護グローブを着用してください。

(図 19)

- つま先部がスチール製で、ノンスリップ靴底の保護ブーツを着用してください。

(図 20)

- 丈夫な素材でできた服を着用してください。常に厚手の長いズボンと長袖を着用してください。小枝や枝が引っかかるようなゆったりした衣服は身につけないでください。装身具、半ズボン、サンダルを着用しないでください。裸足では使用しないでください。安全のため、髪の毛は肩よりも上にまとめてください。
- 救急器具を近くに用意してください。

(図 21)

## 本製品の安全装置



**警告：** 本製品を使用する前に、以下の警告指示をお読みください。

この項では、本製品の安全機能とその目的、本機の正しい動作を確保するための点検とメンテナンスの方法について説明します。本製品の部品の位置については、はじめに 216 ページを参照してください。

本製品のメンテナンスを適切に行わなかったり、専門技術者が整備・修理を行わなかったりすると、本製品の寿命が短くなり、事故発生の危険性が増します。詳しくは、お近くのサービス代理店にお問い合わせください。



**警告：** 安全装置が損傷している製品は決して使用しないでください。本項目の記載に従って、本製品の安全装置の点検、メンテナンスを行ってください。お持ちの製品がこれらの点検項目を一点でも満たさない場合は、お近くのサービス代理店に修理を依頼してください。



**注意：** 本機に関するすべてのサービス、修理には、特別な研修が必須です。本機の安全装置には、特に研修が必要です。本取扱説明書の点検に基づき、本機に不具合が見つかった場合は、サービス代理店に連絡してください。弊社の製品を購入され

ると、専門的な修理とサービスの提供も保証されます。本機を販売した小売店がサービス代理店ではない場合、最寄りのサービス代理店の住所を小売店にお尋ねください。

### キーパッドの点検方法

1. スタート / ストップボタン (A) を押し続けます。(図 22)
  - a) 製品に電源が入っていると LED (B) が点灯します。
  - b) 製品の電源が切れていると LED (B) が消灯します。
2. 警告インジケータ (C) が点灯または点滅している場合は、キーパッド 227 ページを参照してください。

### パワートリガーロックの点検

パワートリガーロックにより、偶発的な始動を防ぎます。パワートリガーロック (A) を押すとパワートリガー (B) が解放されます。ハンドルから手を放すと、パワートリガーとパワートリガーロックは元の位置に戻ります。(図 23)

1. パワートリガーロックが初期位置にあるときに、パワートリガーがロックされていることを確認します。(図 24)
2. パワートリガーを押し、放すと元の位置に戻ることを確認します。(図 25)
3. パワートリガーとパワートリガーロックがスムーズに動き、リターンスプリングが正しく作動することを確認します。(図 26)
4. 本製品を始動します。本製品の始動方法 224 ページを参照してください。
5. フルパワーにします。
6. パワートリガーを放し、カッティングアタッチメントが完全に停止することを確認します。

### カッティングアタッチメントガードのチェック方法



**警告：** 認可されたカッティングアタッチメントガードを正しく取り付けしていないカッティングアタッチメントは使用しないでください。使用するカッティングアタッチメントに推奨されるカッティングアタッチメントガードを必ず使用してください。主要諸元 228 ページを参照してください。不適切なガードや損傷したガードを取り付けると、重傷事故の原因となる恐れがあります。

カッティングアタッチメントガードは、作業者のほうに飛んだ物体から作業者を守ります。カッティングアタッチメントガードは、作業者がカッティングアタッチメントに触って負傷することも防止します。

1. モーターを停止します。

2. ひびなどの損傷がないか、視認します。
3. 損傷がある場合は、カッティングアタッチメントガードを交換します。

### カッティング装置

適切なカッティング装置を選んでメンテナンスすることにより、

- 鋸断性能を最大限に引き出せます。
- カッティング装置の寿命が延びます。



**警告：** 当社推奨のガードが付いたカッティングアタッチメントのみを使用してください。参照：主要諸元 228 ページ。ナイロンコードを装着する正しい方法や適切なコードの直径については、カッティングアタッチメントの説明を参照してください。



**警告：** カッティングアタッチメントが損傷していると、事故の危険性が高まる恐れがあります。



**警告：** カッティングアタッチメントに操作を行う前に必ずエンジンを切ってください。スロットルを解放した後もしばらく回転し続けるためです。カッティングアタッチメントが完全に停止したことを確認し、スパークプラグキャップを外してから作業を開始します。

### トリマーヘッド



**警告：** 危険な振動が発生することを防止するため、ナイロンコードをドラムにしっかりと均等に巻きつけてください。

(図 27)

- 推奨されたトリマーヘッドとナイロンコードのみを使用してください。
- 推奨されたカッティングアタッチメントのみを使用してください。
- 一般的に小型の機器には、より小さいトリマーヘッドが必要で、大型の機器ではその反対になります。
- ナイロンコードの長さも重要です。ナイロンコードが長い場合、同じ直径の短いコードを使用する場合よりもエンジンの馬力が大きくなければなりません。
- トリマーガードのカッターが破損していないか確認してください。これはコードを正しい長さに切るために使用します。
- ナイロンコードの寿命を長くするには、水に 2~3 日浸します。

## バッテリーの安全



**警告：** 本製品を使用する前に、以下の警告指示をお読みください。

- BLi シリーズおよび 40-B シリーズのバッテリーのみ使用してください。詳細の参照先： *主要諸元 228* ページ。バッテリーはソフトウェアで暗号化されています。
- 再充電可能な BLi シリーズおよび 40-B シリーズのバッテリーは、対応する Husqvarna 製品の電源としてのみ使用してください。負傷を防ぐため、このバッテリーを他の装置の電源として使用しないでください。
- 感電するおそれがあります。バッテリーの端子を鍵や硬貨、ネジや他の金属に接触させないでください。バッテリーが短絡する原因になります。
- 充電式ではないバッテリーは使用しないでください。
- バッテリーのエアスロットに物が入らないようにしてください。
- バッテリーは直射日光や熱、裸火から保護してください。バッテリーによりやけどや化学熱傷を負うおそれがあります。
- バッテリーは雨から遠ざけて、濡れない状態に維持してください。
- バッテリーは電子レンジや高圧から保護してください。
- バッテリーを分解したり壊したりしないでください。
- バッテリーから漏れが発生した場合、身体や目に液体が触れないようにしてください。液体に触れた場合、大量の水と石鹸を使用して触れた箇所を洗い流して、医療機関に相談してください。液体が目に入った場合、目をこすらずに十分な水で 15 分以上洗い流し、医療機関に相談してください。
- バッテリーは  $-10 \sim 40^{\circ}\text{C}$  ( $14 \sim 114^{\circ}\text{F}$ ) の温度で使用してください。
- バッテリーまたはバッテリー充電器は、水で洗淨しないでください。参照： *製品、バッテリー、およびバッテリー充電器の清掃方法 226* ページ。
- 不具合や損傷のあるバッテリーは使用しないでください。
- バッテリーはくぎ、ネジ、または宝飾品などの金属から離して保管してください。
- バッテリーは子供が近づけない場所に保管してください。

## バッテリー充電器の安全性



**警告：** 本製品を使用する前に、以下の警告指示をお読みください。

- 安全注意事項を守らないと、感電や短絡の危険があります。

- 製品の付属品以外のバッテリー充電器は使用しないでください。BLi シリーズおよび 40-B シリーズの交換バッテリーを充電するときは、QC80 および 40-C80 充電器のみを使用してください。
- バッテリー充電器を分解しないでください。
- 故障または破損したバッテリー充電器は使用しないでください。
- 電源コードを持ってバッテリー充電器を持ち上げないでください。主電源ソケットからバッテリー充電器を取り外す際は、プラグを引っ張ってください。電源コードを引っ張らないでください。
- すべてのケーブルと延長コードが、水や油、または尖った物に接触しないようにしてください。ドア、フェンスなどの障害物の間に、ケーブルが挟まっていないことを確認してください。
- 可燃性の物質や、腐食の原因となる物質の近くでは、バッテリー充電器を使用しないでください。バッテリー充電器の上に覆うものが何もないことを確認してください。煙や火災が発生した場合、バッテリー充電器の電源プラグをコンセントから引き抜いてください。
- バッテリーは、通気がよく直射日光が当たらない屋内でのみ充電してください。屋外でバッテリーを充電しないでください。濡れた状態でバッテリーを充電しないでください。
- バッテリー充電器は、温度が  $5 \sim 40^{\circ}\text{C}$  ( $41 \sim 104^{\circ}\text{F}$ ) の場所だけで使用してください。充電器は、通気がよく、埃がない、乾燥した環境で使用してください。
- バッテリー充電器の冷却スロットに物が入らないようにしてください。
- バッテリー充電器が短絡するため、充電器の端子を金属物体へ接触させないでください。
- 認可された、破損していない壁コンセントを使用してください。バッテリー充電器のコードが破損していないことを確認してください。延長ケーブルを使用している場合は、破損していないことを確認してください。
- 充電不可能なバッテリーを本バッテリー充電器で充電しないでください。

## メンテナンスのための安全注意事項



**警告：** 本製品のメンテナンスを行う前に、以下の警告指示を読んでください。

- メンテナンス、その他の点検、または製品の組み立てを行う前に、バッテリーを取り外してください。
- 作業者は本取扱説明書に記載されているメンテナンスとサービスだけを実施してください。メンテナンスおよびさまざまなサービスについては、サービス代理店にお問い合わせください。
- バッテリーまたはバッテリー充電器を水分を含んだ布で拭いたり、水で洗淨したりしないでください。強い洗剤を使用すると、プラスチックの部品が損傷する場合があります。
- メンテナンスを実施しないと、製品の寿命が短くなり、事故の危険性が増します。

- 特に本製品の安全装置については、すべての整備と修理の作業に特殊な訓練が必要です。メンテナンスを実施した後、この取扱説明書の点検項目の中に不合格の項目があった場合は、サービス代理店にお

問い合わせください。当社は、お客様の製品のために、プロフェッショナルな修理と整備を提供することを保証します。

- 純正の交換部品のみを使用してください。

## 組立

### はじめに



**警告：** 本製品を組み立てる前に、安全に関する章を読んで理解してください。

### トリマーガードの取り付け

- トリマーガードをモーターハウジングに取り付けます。(図 28)。
- トリマーヘッドとトリマーガードのハウジングにボルトを通します。(図 29)
- ボルトを締めます。

### トリマーヘッドの組み立て

- 出力シャフトを回し、ドライブディスクの穴の1つをギアハウジングの穴に合わせてみます。
- ロックピンを穴に取り付けて、シャフトをロックします。
- トリマーヘッドを半時計方向に回します。(図 30)

### ループハンドルの組み立て方法

- ネジをループハンドルに取り付けます。(図 31)
- シャフトのアタッチメントにループハンドルを取り付けます。

- ネジを締め込みます。
- ループハンドルが適切な位置になるように調整します。ループハンドルと伸縮シャフトの調整 224 ページを参照してください。

### プラントガードの取り付け

- プラントガードをモーターハウジングの穴に取り付けます。(図 32)
- プラントガードが前後に自由に動くことを確認します。(図 33)

### バッテリー充電器 (40-C80) の壁への取り付け方法



**注意：** バッテリー充電器を壁に取り付けるときは電動ドライバーを使用しないでください。電動ドライバーはバッテリー充電器を損傷する可能性があります。

- 2本のネジ(B)で壁にバッテリー充電器を取り付けます。必要に応じて、ウォールプラグ(A)を使用します。(図 34)
- 2個のネジ穴プラグ(C)を取り付けます。
- 電源コードをバッテリー充電器と主電源ソケットに接続します。

## Operation ( 操作 )

### はじめに



**警告：** 本製品を使用する前に、安全に関する章を読んで理解してください。

### 本製品を操作する前に

- 作業エリアを調査し、現場の状況を十分理解してください。土地の傾斜を調べ、石、枝、溝などの障害物がなしか確認してください。
- 本製品の一般的な点検を実行します。
- 本書に記載の安全注意事項、メンテナンスおよびサービスを実施してください。
- モーターに汚れやヒビがないことを点検します。ブラシを使用してモーターから草や葉を払い落とします。必要に応じて、グローブを着用してください。
- トリマーヘッドとカッピングアタッチメントガードに損傷やひびがないか点検します。損傷やひびがある場合は、トリマーヘッドとカッピングアタッチメントガードを交換します。

- ナットとネジをしっかりと締めます。
- 本製品を使用する前に、カバー、ガード、ハンドルおよびカッピング装置のいずれにも損傷がなく、すべて正しく取り付けられていることを確認してください。

### バッテリー



**警告：** バッテリーを使用する前に、安全に関する章をお読みになり、内容を理解してください。バッテリーおよびバッテリー充電器の取扱説明書もお読みになり、内容を理解してください。

バッテリーとバッテリー充電器を適切な周囲温度の場所に保管します。

	周囲温度
バッテリーの作動	5 °C ~ 40 °C ( 41 °F ~ 104 °F )

	周囲温度
バッテリーの充電	5 °C ~ 40 °C ( 41 °F ~ 104 °F )

## バッテリーステータス

ディスプレイには、充電の状況と、バッテリーに関する問題が表示されます。

(図 35)

LED インジケータ	バッテリーステータス ( 充電状態 )	
	BLi10、BLi20	40-B70、40-B140
LED ライトが 4 つ点灯	該当なし	バッテリーは 76 % ~ 100 % 充電済み。
LED ライトが 3 つ点灯	バッテリーは 76 % ~ 100 % 充電済み。	バッテリーは 51 % ~ 75 % 充電済み。
LED ライトが 2 つ点灯	バッテリーは 51 % ~ 75 % 充電済み。	バッテリーは 26 % ~ 50 % 充電済み。
LED ライトが 1 つ点灯	バッテリーは 26 % ~ 50 % 充電済み。	バッテリーは 6 % ~ 25 % 充電済み。
LED ライトが 1 つ点滅	バッテリーは 0 % ~ 25 % 充電済み。	バッテリーは 0 % ~ 5 % 充電済み。

## バッテリーの充電

初めてバッテリーを使用する場合は、バッテリーを充電してください。新品のバッテリーは 30 % しか充電されていません。



**注意：** 定格プレートで指定されている電圧と周波数の電源コンセントにのみバッテリー充電器を接続してください。

バッテリーの温度が 50 °C ( 122 °F ) を超えると、バッテリーは充電されません。

1. 電源コードをバッテリー充電器に接続します。
2. バッテリー充電器を接地された電源コンセントに接続します。充電 LED が 1 回点滅します。(図 36)
3. バッテリーとバッテリー充電器の接続を接続します。充電 LED が点灯します。バッテリーを最大 24 時間充電します。(図 37)
4. バッテリーインジケータボタンを押します。すべての LED インジケータが点灯した場合、バッテリーは完全に充電されています。
5. 電源プラグを引いて、バッテリー充電器を電源コンセントから外します。電源コードを引っ張らないでください。
6. バッテリー充電器からバッテリーを外します。

## バッテリーの取り付け方法



**警告：** 本製品には純正の Husqvarna バッテリーのみを使用してください。

1. バッテリーを完全に充電します。

2. バッテリーを本製品のバッテリーホルダーに押し込みます。バッテリーがロックされると、カチッという音がします。(図 38)



**注意：** バッテリーがバッテリーホルダーにスムーズに入らない場合は、バッテリーが正しく取り付けられていません。本製品が損傷する場合があります。

## 本製品の始動方法

1. 緑色の LED ランプが点灯するまで、スタート / ストップボタンを押し続けます。(図 39)
2. パワートリガーロックとパワートリガーを押します。カッピング装置が回転します。

## ループハンドルと伸縮シャフトの調整

1. ロックハンドルを緩め、ループハンドルが正しい位置に来るように調整します。(図 40)
2. ロックハンドルを閉じます。
3. シャフトのレバーを緩めます。(図 41)
4. シャフトを必要な長さに設定します。シャフト上の三角形が見えることを確認します。(図 42)
5. レバーを閉じてネジを締め込みます。

**注記：** シャフトの警告ステッカー上にループハンドルを取り付けしないでください。

## SavE 機能の使用

本製品には電力節約機能 ( SavE ) が装備されていません。



**注記：** SavE 機能によって製品の切断力が低下することはありません。

1. キーパッドで SavE ボタンを押します。
2. 緑色の LED が点灯していることを確認します。
3. もう一度 SavE ボタンを押すと、SavE 機能が停止します。緑色の LED が消灯します。(図 43)

### 自動シャットダウン機能

本製品には、使用していないときに製品を停止させるシャットダウン機能があります。始動 / 停止を示す緑色の LED が消灯し、180 秒後に本製品が停止します。

### 製品の操作方法

#### トリミングする場合

1. 地表すれすれのところで角度をつけてトリマーヘッドを保持します。ナイロンコードを草の中に押し込まないでください。(図 44)
2. ナイロンコードの長さを 10 ~ 12 cm/4-4.75 インチにします。
3. 植物が損傷するリスクを軽減するには、エンジン速度を下げます。
4. 障害物の近くにある草を刈るときは、スロツトルを 80 % にしてください。(図 45)

#### 芝を刈る方法

1. トリマーヘッドを地面の上に保持します。
2. トリマーヘッドを傾けます。
3. 作業領域内の物体の周囲をナイロンコードの端で刈り込みます。



**注意：** 芝を刈ります。ナイロンコードに他の物体が当たると、ナイロンコードの摩耗が早まります。

### 草を刈る場合

1. 刈払機の際に、ナイロンコードを地面と平行に維持してください。(図 46)
2. トリマーヘッドを地面に押し当てないでください。本製品が損傷する場合があります。
3. 芝を刈るときは、本製品を左右に動かします。最高速度で使用してください。(図 47)

### 草を吹き飛ばす場合

刈払機の回転するナイロンコードによる気流で、刈った草をエリア外に吹き飛ばすことができます。

1. トリマーヘッドとナイロンコードを、地表すれすれのところで、地面と平行に保持します。
2. フルスロツトルにしてください。
3. トリマーヘッドを左右に動かし、草を吹き飛ばします。



**警告：** ハンドルのバランスを取り振動を抑えるため、新しいナイロンコードを取り付けるたびに、トリマーヘッドカバーを清掃してください。トリマーヘッドの他の部分もチェックし、必要に応じて清掃してください。

### 本製品の停止方法

1. パワートリガーおよびパワートリガーロックを放します。
2. 緑色の LED が消灯するまで START/STOP ボタンを押し続けます。
3. バッテリーのリリースボタンを押して、バッテリーを本製品から取り出します。(図 48)

### ナイロンコードの交換

本取扱説明書の最後のページを参照してください。

## メンテナンス

### はじめに



**警告：** 本製品のメンテナンスを実行する前に、安全に関する章を読んで理解してください。

### メンテナンススケジュール



**警告：** メンテナンスを実行する前にバッテリーを外してください。

メンテナンス	毎日	毎週	毎月
乾いた布で製品外側の部品を清掃してください。水は使わないでください。	X		

メンテナンス	毎日	毎週	毎月
スタート / ストップボタンが正しく機能し、損傷がないことを確認します。	X		
パワートリガーとパワートリガーのロック機能が、安全面から見て正しく 작동することを確認します。	X		
コントロールがすべて機能し、損傷がないことを確認します。	X		
ハンドルは乾燥した清潔な状態に保ち、オイルやグリスが付着しないようにしてください。	X		
カッティングアタッチメントに損傷がないことを確認してください。損傷がある場合は、カッティングアタッチメントを交換します。	X		
カッティングアタッチメントガードに損傷がないことを確認してください。損傷がある場合は、カッティングアタッチメントガードを交換します。	X		
ネジとナットが確実に締められていることを確認します。	X		
バッテリーリリースボタンが正常に作動し、本製品にバッテリーをロックできるか確認してください。	X		
バッテリー充電器に損傷がなく、正しく機能することを確認します。	X		
バッテリーに損傷がないことを確認してください。	X		
バッテリーが充電されていることを確認してください。	X		
バッテリー充電器に損傷がないことを確認してください。	X		
すべてのケーブル、カップリング、接続部を点検してください。損傷がなく、汚れが付着していないことを確認します。		X	
バッテリーと本製品の接続を確認してください。バッテリーとバッテリー充電器の接続を確認してください。			X

## バッテリーとバッテリー充電器の点検方法

1. バッテリーにヒビなどの損傷がないか調べます。
2. バッテリー充電器にヒビなどの損傷がないか調べます。
3. 充電器の電源コードを点検し、破損や亀裂がないことを確認してください。

## 製品、バッテリー、およびバッテリー充電器の清掃方法

1. 使用後は、製品を乾いた布で拭いてください。
2. バッテリーとバッテリー充電器を、乾いた布で拭いてください。バッテリーガイドトラックは清潔さを保ってください。

3. バッテリーをバッテリー充電器や本製品に入れる前に、バッテリーとバッテリー充電器の端子に汚れがないことを確認してください。

## トリマーヘッドの点検および交換

1. トリマーヘッドに損傷やヒビがないか点検します。
2. ナイロンコードのシュートアセンブリを引き出します。
3. トリマーヘッドを取り外します。(図 49)
4. トリマーヘッドを交換します。
5. トリマーヘッドを取り付けます。トリマーヘッドの組み立て 223 ページを参照してください。

## トラブルシューティング

### キーパッド

LED 画面	想定される不具合	解決方法
エラー LED が点滅する。	過負荷	カuttingアタッチメントを自由に動かせない。カuttingアタッチメントを解放してください。
	温度の逸脱	本製品を冷却してください。
製品が始動しない。	パワートリガーとスタートボタンを同時に押します。	パワートリガーを放して本製品を停止します。
エラー LED が赤色で点灯する。	本製品にサービス作業が必要です。	販売店にお問い合わせください。

### バッテリー

LED 表示	想定される不具合	対応措置
緑色の LED が点滅する。	バッテリー電圧が低い。	バッテリーを充電してください。
エラー LED が点滅する。	温度の逸脱。	バッテリーは -10 ~ 40°C ( 14 ~ 104°F ) の温度で使用してください。
	電圧が高すぎる。	主電源の電圧が、本製品の銘板に記載された値と一致することを確認してください。 バッテリー充電器からバッテリーを外します。
エラー LED が点灯する。	電池の電位差が大きすぎる ( 1 V ) 。	サービス代理店にお問い合わせください。

### バッテリー充電器

問題	想定される障害	解決方法
充電 LED が赤色に点灯している。	永続的なバッテリー充電器エラーが発生しました。	販売店にお問い合わせください。
充電 LED が緑色に点滅する。	動作温度外です。バッテリーの温度が低すぎるかまたは高すぎるため、使用または充電できません。	バッテリーの温度が下がるまで待つが、温度を上げます。バッテリーの温度が適切になると、使用または充電できるようになります。バッテリー充電器は周囲の温度が 5°C ~ 40°C の場合に使用してください。
充電 LED が赤色に点滅する。	バッテリーの不具合。	販売店にお問い合わせください。

## 搬送、保管、廃棄

### 搬送と保管

- 同梱のリチウムイオンバッテリーは、危険物の規制に関する規則に準拠しています。
- 民間の運送業者による商用輸送においては、梱包およびラベル付けに関して所定の要件に従ってください。
- 本製品を送送する前に、危険物に関して特別な訓練を受けた担当者にご相談ください。該当するすべての国内規制に従ってください。
- バッテリーを梱包するときは、露出している端子にテープを貼ってください。バッテリーを固定し、動かないように梱包してください。
- 保管するときや搬送時はバッテリーを外してください。
- バッテリーとバッテリー充電器は、乾燥して湿気や霜がない場所に置いてください。
- 静電気が発生するような場所にはバッテリーを保管しないでください。バッテリーは金属製の箱に保管しないでください。
- バッテリーは温度が 5 ~ 25°C ( 41 ~ 77°F ) の場所に保管し、直射日光から遠ざけてください。
- バッテリー充電器は温度が 5 ~ 45°C ( 41 ~ 113°F ) の場所に保管し、直射日光から遠ざけてください。
- バッテリー充電器は、周囲温度が 5°C ~ 40°C の場合のみ使用してください。

- バッテリーを長期間保管するときは、充電量を 30 ~ 50 % にしてください。
- バッテリー充電器は、密閉した乾いた場所に保管してください。
- バッテリーの保管中は、バッテリー充電器から遠ざけてください。子供や許可されていない他の人が機器に触れないようにしてください。施設できる場所に装置を保管してください。
- 製品を長期間保管する場合は、その前に製品を清掃し、よく点検しておいてください。
- 搬送中および保管中に製品が傷ついたり損傷したりしないように、製品の移動用ガードを使用してください。
- 搬送中は製品をしっかりと固定してください。

### バッテリー、バッテリー充電器、および製品の廃棄

本製品や本製品パッケージ上のマークは、本製品が家庭ゴミではないことを示します。電気・電子機器の再利用を行うため、リサイクル営業所に引き渡します。これにより環境や人への被害を防ぐことができます。

本製品のリサイクルの詳細については、地方自治体、廃棄物処理業者または販売店にお問い合わせください。

## 主要諸元

### 主要諸元

	215L
モーター	
モータータイプ	BLDC
出力シャフト速度、r/min	6800
刈幅、mm	310
質量	
バッテリーを除いた質量、kg	2.9
騒音排出 <sup>40</sup>	
音響パワーレベル、測定 dB ( A )	90.5
音響パワーレベル、保証 L <sub>WA</sub> dB ( A )	92

<sup>40</sup> 環境における騒音の排出は、EC 指令 2000/14/EC に従って、音響パワー ( L<sub>WA</sub> ) として測定。保証音響と計測音響の違いは、保証音響に計測結果のばらつきと、同一モデルの異なる機器の差異が含まれているためです。これは指令 2000/14/EC に則っています。

	215iL
<b>騒音レベル</b> <sup>41</sup>	
使用者の聴覚の等価音圧レベル。EN ISO 50636-2-91 dB (A) に従った計測値、dB (A)	74.9
<b>振動レベル</b> <sup>42</sup>	
ハンドルの等価振動レベル。EN50636-2-91 に従って計測、m/s <sup>2</sup> トリマーヘッド (純正) を装着した状態、前 / 後	4.5 / 2.7

### 認可されたバッテリー

バッテリー	BLi10		BLi20		40-B70	40-B140
タイプ	リチウムイオン		リチウムイオン		リチウムイオン	リチウムイオン
バッテリー容量 (Ah)	バッテリー定格ステッカー参照		バッテリー定格ステッカー参照		バッテリー定格ステッカー参照	バッテリー定格ステッカー参照
公称電圧、V	36	36.5	36	36.5	36	36
質量、ポンド / kg	0.7	0.7	1.2	1.2	0.8	1.25

### 認可されたバッテリー充電器

バッテリー充電器	QC80	40-C80
主電源電圧 (V)	100 ~ 240	100 ~ 240
周波数、Hz	50/60	50/60
電力、W	100	72
出力電圧、V d.c./アンペア、A	36/2	43/1.6

## アクセサリ

### 認可されたアクセサリ

認可されたアクセサリ	型式	カッティングアタッチメントガード、部品番号
トリマーヘッド	R25B (Ø 2 mm コード)	529 96 69-01

<sup>41</sup> 報告データによれば、製品の等価音圧レベルの一般的な統計上のばらつき (標準偏差) は 2.5 dB (A) です。

<sup>42</sup> 報告データによれば、等価振動レベルの一般的な統計上のばらつき (標準偏差) は、1.5 m/s<sup>2</sup> です。

## 適合宣言

### EU 適合宣言

ハスクバーナ社 ( Husqvarna AB, SE-561 82 Huskvarna, Sweden、電話番号 : +46-36-146500 ) は、単独責任のもとで、以下の製品の適合を宣言します。

名称	バッテリー式芝生用トリマー
ブランド	Husqvarna
タイプ / モデル	215iL
ID	2024 年以降の製造番号

が以下の EU 指令および規制を完全に順守し、

指令 / 規制	名称
2006/42/EC	「機械類に関する」
2014/30/EU	「電磁環境適合性に関する」
2000/14/EC	「環境への騒音排出に関する」
2011/65/EU	「電気・電子製品に含まれる特定有害物質の使用制限に関する」

および以下の規格または技術仕様が適用されています。  
EN 60335-1:2012/A15:2021, EN 50636-2-91:2014, EN IEC 63000:2018, EN IEC 55014-1:2021; EN IEC 55014-2:2021。

試験機関 : 0197 TÜV Rheinland LGA Products GmbH, Tillystraße 2, 90431 Nürnberg, Germany が評議会指令 2000/14/EC 適合性評価補足 VI の準拠を確認しました。

騒音排出に関する詳細 : 主要諸元 228 ページ。

Husqvarna, 2024-02-01

Claes Losdal, R&D Manager, Husqvarna AB

正式代表兼技術文書担当



## TURINYS

Įvadas.....	231	Transportavimas, saugojimas ir utilizavimas.....	243
Sauga.....	232	Techniniai duomenys.....	243
Surinkimas.....	238	Priedai.....	245
Naudojimas.....	238	Atitikties deklaracija.....	246
Techninė priežiūra.....	240	Priedas .....	454
Gedimai ir jų šalinimas.....	242		

---

## Įvadas

---

### Gaminio aprašas

Husqvarna 215iL yra akumuliatorinė žoliapjovė su elektriniu varikliu.

Nuolat stengiamės padidinti jūsų saugumą ir eksploatacijos efektyvumą. Dėl išsamesnės informacijos kreipkitės į savo techninės priežiūros atstovą.

### Numatytasis naudojimas

Gaminys naudojamas su nemetaliniais žoliapjovės lynais, nemetaliniais diržais arba panašiais nemetaliniais

### Gaminio apžvalga

(Pav. 1)

1. Žoliapjovės galvutė
2. Pjovimo įtaiso apsauginis elementas
3. Velenas
4. Veleno reguliavimas (teleskopas)
5. Kūlinė rankena
6. Klaviatūra
7. Klaviatūros įspėjamasis indikatorius
8. Paleidimo / stabdymo mygtukas
9. „SavE“ mygtukas
10. Maitinimo jungiklis
11. Maitinimo jungiklio fiksatorius
12. Maitinimo ir įspėjamasis indikatorius
13. Jungtis
14. Akumuliatoriaus įkroviklis 40-C80
15. Akumuliatoriaus įkroviklis QC80
16. Maitinimo laidas
17. Augalų apsauga
18. Akumuliatoriaus įspėjamasis indikatorius
19. Akumuliatoriaus būseną
20. Akumuliatoriaus indikacinis mygtukas
21. Baterijos nuėmimo mygtukai
22. Akumuliatorius
23. Kombinuotasis įrankis
24. Naudojimo instrukcija

### Simboliai ant gaminio

- (Pav. 2) ĮSPĖJIMAS. Šis gaminys gali būti pavojingas ir rimtai sužeisti arba pražudyti naudotoją arba aplinkinius. Būkite atsargūs ir tinkamai naudokite gaminį.
- (Pav. 3) Prieš naudodami, atidžiai perskaitykite naudojimo instrukciją ir įsitinkite, kad viską gerai supratote.
- (Pav. 4) Naudokite akių apsaugos priemonės.

lanksčiais pjovimo elementais. Gaminį naudokite tik pjaudami piktžoles, žolę ir kitą minkštą augmeniją.

---

**Pasižymėkite:** Nacionaliniai įstatymai gali nustatyti apribojimus šio produkto naudojimui.

---

(Pav. 5) Nepalikite lietuje.

(Pav. 6) Į aplinką sklindančio triukšmo etiketė atitinka ES (įskaitant Naujojo Pietų Velso teisės aktus) ir JK direktyvas bei reglamentus. Triukšmo sklidimo duomenys nurodyti įrenginio etiketėje ir skyriuje Techniniai duomenys.

(Pav. 7) Pasirūpinkite, kad šalia gaminio nebūtų pašalinių asmenų.

(Pav. 8) Prieš atlikdami techninę apžiūrą atjunkite akumuliatorių.

(Pav. 9) Gaminys ar gaminio pakuotė nepriskiriami buitiniams atliekoms. Nuvežkite jį į elektros ir elektronikos įrenginių perdirbimo punktą.

(Pav. 10) Šis gaminys atitinka taikomas EU direktyvas.

(Pav. 11) Šis gaminys atitinka taikytinų JK reglamentų nuostatas.

(Pav. 12) Nuolatinė srovė.

yyyywwxxxxx

Vardinėje parametru arba lazeriu išpaustoje plokštelėje nurodytas serijos numeris. **yyyy** yra pagaminimo metai, o **ww** yra pagaminimo savaitė.

## Simboliai ant akumulatoriaus ir (ar) akumulatoriaus įkroviklio

- (Pav. 16) Nuvežkite šį gaminį į elektros ir elektronikos įrenginių perdirbimo punktą. (galioja tik Europoje)
- (Pav. 13) Apsaugotas transformatorius.
- (Pav. 14) Akumulatoriaus įkroviklį naudokite ir laikykite tik uždaroje patalpoje.

(Pav. 15) Dviguba izoliacija.

## Produkto pažeidimai

Mes neatsakome už mūsų gaminio sugadinimą, jei:

- gaminys netinkamai suremontuotas;
- gaminys suremontuotas naudojant kito gamintojo arba gamintojo nepatvirtintas dalis;
- gaminys turi kito gamintojo arba gamintojo nepatvirtintą priedą;
- gaminys suremontuotas ne patvirtintame techninės priežiūros centre arba jį suremontavo ne patvirtintas atstovas.

## Sauga

### Saugos ženklų reikšmės

Įspėjimai, perspėjimai ir pastabos yra skirtos atkreipti dėmesį į ypač svarbias vadovo dalis.



**PERSPĖJIMAS:** Naudojamas, kai naudotojui ar šalia esantiems asmenims kyla mirtino arba sunkaus sužeidimo pavojus arba, jei nesilaikoma vadove pateiktų nurodymų.



**PASTABA:** Naudojamas, kai kyla pavojus sugadinti gaminį, kitas medžiagas arba padaryti žalą aplinkai, jei nesilaikoma vadove pateiktų nurodymų.

**Pasižymėkite:** Naudojamas papildomai informacijai apie konkrečią situaciją pateikti.

### Bendrieji saugos įspėjimai naudojant elektros įrankius



**PERSPĖJIMAS:** Perskaitykite visus saugos įspėjimus ir instrukcijas. Nesilaikydami įspėjimų ir instrukcijų galite sukelti gaisrą, patirti elektros smūgį ir (arba) rimtai susižeisti.

**Pasižymėkite:** Saugokite visus įspėjimus ir instrukcijas, nes jų gali prireikti vėliau. Terminas „elektros įrankis“ įspėjimuose reiškia iš elektros tinklo maitinamą (laidinį) elektros įrankį arba akumulatoriumi maitinamą (belaidį) elektros įrankį.

### Patikrinimas prieš paleidžiant

- Būtinai nuimkite akumuliatorių, kad netyčia nepaleistumėte gaminio. Prieš atikdami gaminio techninę priežiūrą, būtinai nuimkite akumuliatorių.

- Prieš naudodami gaminį po bet kokių sutrenkimo, patikrinkite, ar nėra nusidėvėjimo ar pažeidimo požymių ir, jei reikia, pataisykite.
- Patikrinkite darbo zoną. Pašalinkite visus palaidus objektus, pavyzdžiui, akmenis, stiklo šukes, vinis, plieninę vielą, virvės galiukus ir pan., kurie gali būti išsviedžiami į orą arba apsvinioti aplink pjovimo įtaisą ar jo apsauginį skydą.
- Patikrinkite, ar el. variklis švarus ir jame nėra įtrūkių. Nuo el. variklio šepetėlių nuvalykite žoles ir lapus. Kai būtina, reikia mėvėti pirštines.
- Patikrinkite, ar žoliapjovės galvutė gerai pritvirtinta prie žoliapjovės.
- Patikrinkite, ar gaminys nepriekaištingos darbinės būklės. Patikrinkite, ar visos veržlės ir varžtai yra priveržti.
- Patikrinkite, ar žoliapjovės galvutė ir žoliapjovės apsauginis skydas nėra pažeisti ar įtrūkę. Pakeiskite žoliapjovės galvutę ar apsauginį skydą, jei jie buvo sutrenkti ar yra įtrūkę. Ant pjovimo įtaiso visada tvirtinkite tik rekomenduojamą apsauginį skydą. Žr. skyrių „Techniniai duomenys“.
- Dirbdamas šiuo gaminiu, naudotojas turi pasirūpinti, kad darbo metu žmonės ar gyvūnai neprieitų arčiau nei 15 metrų atstumu. Kai vienoje vietoje šiais įrenginiais dirba keli asmenys, tarp jų turi būti išlaikomas mažiausiai 15 m saugus atstumas.
- Prieš pradėdami naudoti gaminį, atlikite bendrą apžiūrą. Žr. techninės priežiūros grafiką.
- Naudojimą gali reglamentuoti nacionalinės arba vietos taisyklės. Laikykitės nustatytų taisyklių.

### Sauga darbo vietoje

- **Darbo vieta turi būti švari ir gerai apšviesta.** Netvarkingose arba tamsiose darbo vietose dažnai įvyksta nelaimės.
- **Nenaudokite elektros įrankių sprogliose aplinkose, pavyzdžiui, ten, kur yra lengvai užsidegančių skysčių, dujų arba dulkių.** Elektros įrankiai kibirkščiuoja, todėl gali užsiliepsnoti dulks arba garai.



- Naudodami elektros įrankį, neleiskite arti būti vaikams ir pašalinams asmenims. Išsiblaškę galite prarasti įrenginio kontrolę.

## Elektrosauga

- Elektrinių įrankių kištukai turi atitikti elektros lizdus. Niekada nebandykite koku nors būdu perdaryti kištuko. Jei naudojate įžemintus elektros įrankius, nenaudokite jokių kištukų adapterių. Jeigu kištukai nėra perdaryti ir atitinka elektros lizdus, elektros smūgio pavojus yra mažesnis.
- Nesilieskite prie elektros laidininkų paviršių, pavyzdžiui, vamzdžių, radiatorių, viryklių ir šaldytuvų. Jei kūnas taps elektros laidininku, iškils elektros smūgio pavojus.
- Nelaikykite elektrinių įrankių lietuje arba drėgnoje aplinkoje. Į elektrinį įrenginį patekęs vanduo padidina elektros smūgio pavojų.
- Tinkamai naudokite laidą. Niekada neneškite įrankio laikydami už laido, netraukite jo ir nebandykite traukdam už jo ištraukti elektrinio įrankio kištuką. Laikykite laidą atokiai nuo šilumos šaltinių, tepalų, aštrių briaunų ar judančių dalių. Dėl pažeistų arba susipainiojusių laidų padidėja elektros smūgio rizika.
- Jei elektrinį įrankį naudojate lauke, naudokite lauke skirtą naudoti ilgintuvą. Naudojant lauke skirtą naudoti ilgintuvą, sumažėja elektros smūgio rizika.
- Jeigu elektrinį įrankį būtina naudoti drėgnoje aplinkoje, naudokite liekamosios srovės įtaisus (LSĮ) apsaugotą maitinimo šaltinį. Naudojant LSĮ, sumažėja elektros smūgio pavojus.

## Asmens sauga

- Naudodami elektros įrankį, būkite budrūs, stebėkite savo veiksmus ir vadovaukitės sveiku protu. Nenaudokite elektros įrankio, jei esate pavargę, apsvaigę nuo narkotikų, alkoholio arba vaistų. Dirbami elektros įrankiais netgi akimirksnis neatidumo gali tapti sunkaus sužeidimo priežastimi.
- Naudokite asmenines apsaugines priemones. Visuomet užsidėkite akių apsaugos priemones. Dėl atitinkamomis sąlygomis naudojamų apsauginių priemonių, pavyzdžiui, respiratorių, neslystančių apsauginių batų, šalmo arba apsauginių ausinių, sumažėja sužeidimų rizika.
- Saugokitės atsitiktinio įsijungimo. Prieš prijungdami įrenginį prie maitinimo šaltinio ir (arba) akumuliatorių bloko, paimdami arba nešdami įrenginį, įsitinkinkite, kad jungiklis yra išjungimo (OFF) padėtyje. Jei nešite elektros įrankį laikydami pirštą ant jungiklio ar prijungsite jį prie maitinimo šaltinio, kai jungiklis yra įjungimo padėtyje, gali įvykti nelaimingas atsitikimas.
- Prieš įjungdami elektros įrankį, pašalinkite iš jo visus reguliavimo raktus ar veržliarakčius. Besisukančioje elektros įrankio dalyje paliktas veržliaraktis arba raktas gali sužeisti.
- Per plačiai neužsimokite. Visada tvirtai stovėkite ant kojų ir laikykite pusiausvyrą. Tokiu būdu geriau kontroliuosite elektros įrankį netikėtose situacijose.

- Apsirenkite tinkamai. Niekada nedėvėkite palaidų drabužių ar papuošalų. Nelaikykite plaukų ir drabužių arti judančių dalių. Palaidi drabužiai, papuošalai arba ilgi plaukai gali įkliūti į judančias dalis.
- Jeigu naudojate įtaisus, skirtus dulkių surinkimo įrenginiams prijungti, įsitinkinkite, kad jie tinkamai prijungti ir naudojami. Naudojant dulkių surinkimo įrenginius, sumažėja su dulkelėmis susijusių pavojų rizika.
- Įgudę naudotis įrankiais ir prie jų pripratę nenustokite paisyti įrankių saugos principų. Dėl neatsargių veiksmų galite rimtai susižeisti vos per akimirka.
- Tikrasis vibracijos dydis elektrinio įrenginio darbo metu gali skirtis nuo nurodytos suminės vertės, kadangi tai priklauso nuo įrenginio naudojimo būdų. Operatoriai turi naudoti atitinkamas saugos priemones, kurios pasirenkamos įvertinus realias darbo sąlygas (atsižvelgiant į visas darbo ciklo fazes, t.y. įrenginio išjungimo (nenaudojimo) trukmę, darbo tuščiąja eiga ir realaus plovimo trukmes).

## Elektros įrankių naudojimas ir priežiūra

- Dirbdami su elektros įrankiu nenaudokite jėgos. Naudokite savo darbui tinkamą elektros įrankį. Naudojant tam tikslui skirtą elektros įrankį, darbas bus atliktas saugiau ir greičiau.
- Jeigu paspaudus jungiklį elektros įrankis neįsijungia arba neišsijungia, nenaudokite įrankio. Elektros įrankis, kurio nepavyksta tinkamai valdyti jungikliu, kelia pavojų ir turi būti taisomas.
- Prieš reguliuodami elektros įrankius, keisdami priedus arba padėdami saugoti, ištraukite maitinimo laido kištuką iš elektros lizdo ir (arba) išimkite akumuliatorių bloką, jei jį galima išimti. Laikantis šių prevencinės apsaugos priemonių, sumažėja netyčinio elektros įrankio įjungimo rizika.
- Nenaudojamus elektros įrankius laikykite vaikams nepasiekiamoje vietoje ir neleiskite naudoti elektros įrankio asmenims, kurie nemoka juo naudotis arba nėra susipažinę su šiomis instrukcijomis. Nekvalifikuotų naudotojų rankose elektros įrankiai yra pavojingi.
- Prižiūrėkite elektrinius įrankius ir priedus. Patikrinkite, ar sureguliuotos ir nestringa judančios dalys, ar nėra sulūžusių dalių ir kitų veiksmių, kurie gali daryti įtaką elektros įrankio veikimui. Prieš naudojant, sugedusį elektros įrankį reikia sutaisyti. Daug nelaimingų atsitikimų įvyksta dėl netinkamai prižiūrimų elektros įrankių.
- Pjovimo įrankiai turi būti pagaląsti ir švarūs. Tinkamai prižiūrėti pjovimo įrankiai su aštriomis pjovimo briaunomis rečiau užstringa ir juos paprasčiau valdyti.
- Elektros įrankius, priedus, įrankių galūstuvus ir pan. naudokite taip, kaip nurodyta šiose instrukcijose, atsižvelgdami į darbo sąlygas ir atliekamą darbą. Naudodami elektros įrankį ne pagal paskirtį, galite sukelti pavojingą situaciją.
- Rankenos ir laikomieji paviršiai visuomet turi būti sausi ir švarūs (neištepti alyva ar tepalais). Slidžios

rankenos ir laikymosi paviršiai neleidžia saugiai valdyti ir kontroliuoti netikėtose situacijose.

susižeisti. Todėl, kai neprižiūrite įrenginio, visuomet nuimkite bateriją.

## Akumuliatorių įrankių naudojimas ir priežiūra

- **Akumuliatorius kraitite tik gamintojo nurodytu įkrovikliu.** Įkroviklis, tinkamas vienam akumuliatorių blokui, gali sukelti gaisro pavojų, naudojamas kitam akumuliatorių blokui įkrauti.
- **Gaminis naudokite tik su jėms skirtais akumuliatorių blokais.** Naudojant bet kokį kitą akumuliatorių bloką kyla sužeidimo ir gaisro pavojus.
- **Nenaudojamą akumuliatorių bloką laikykite toliau nuo metalinių daiktų, galinčių sukurti jungtį tarp gnybtų, pavyzdžiui sąvaržėlių, monetų, raktų, vinių, varžtų ir kitų smulkių metalinių daiktų.** Trumpai susijungus akumuliatoriaus gnybtus gali kilti gaisras arba galite nudegti.
- **Esant nepalankioms sąlygoms, iš akumuliatoriaus gali imti tekėti skystis. Nelieskite jo. Ant odos netyčia patekusį skystį nuplaukite vandeniu. Skysčiui patekus į akis kreipkitės medicininės pagalbos.** Iš akumuliatoriaus ištekėjęs skystis gali sudirginti arba nudeginti.
- **Nenaudokite pažeisto arba modifikuoto akumuliatorių bloko arba įrankio.** Naudojant pažeistus ar modifikuotus akumuliatorius, jų veikimas gali būti neprognozuojamas ir jie gali sukelti gaisrą, sprogingą ar sužaloti.
- **Saugokite akumuliatorių bloką arba įrankį nuo ugnies ir didelės temperatūros.** Sąlytis su ugnimi arba 130 °C temperatūra gali sukelti sprogingą.
- **Laikykitės visų įkrovimo nurodymų ir neįkraukite akumuliatorių bloko ar įrankio, esant nurodytame diapazone neišsitenkančiai temperatūrai.** Netinkamai įkraunant arba esant nurodytame diapazone neišsitenkančiai temperatūrai gali būti pažeistas akumuliatorius ir padidėti gaisro tikimybė.

## Techninė priežiūra

- **Elektros įrankio techninę priežiūrą privalo atlikti kvalifikuotas remonto specialistas, naudojamas tik tokias pačias pakaitines dalis.** Tokiu būdu bus užtikrinta elektros įrankio sauga.
- **Niekada neapžiūrinėkite pažeistų akumuliatorių bloką.** Akumuliatorių bloką techninę priežiūrą gali atlikti tik gamintojas arba įgalioti paslaugų teikėjai.

## Visada vadovaukitės sveiku protu

Neįmanoma numatyti visų situacijų, kurios gali iškilti. Visada elkitės atsargiai ir vadovaukitės sveiku protu. Neapsiimkite atlikti darbų, kuriems nesate pakankamai kvalifikuotas. Jeigu perskaite šią instrukciją vis dar nesate tikri, kaip naudoti įrenginį, pasitarkite su tai išmanančiu asmeniu.



**PERSPĖJIMAS:** Niekada neleiskite vaikams naudoti įrenginį ar būti arti jo. Kadangi įrenginį užvesti labai paprasta, neprižiūrimi vaikai gali lengvai tai padaryti. Tai reiškia, jog iškyla pavojus sunkiai

## Bendrieji saugos nurodymai



**PERSPĖJIMAS:** Prieš naudodami gaminį, perskaitykite toliau esančius įspėjimus.

- Nuimkite akumuliatorių, kad netyčia neįjungtumėte gaminio.
- Šis gaminys gali būti pavojingas, jei būsite neatsargūs arba gaminį naudosite netinkamai. Šis gaminys gali rimtai sužeisti arba pražudyti operatorių arba aplinkinius.
- Nenaudokite gaminio, jei pasikeitė jo pradinės specifikacijos. Nekeiskite gaminio dalių, neturinčių gamintojo patvirtinimo. Naudokite tik gamintojo patvirtintas dalis. Netinkamai atliekant gaminio techninę priežiūrą galima rimtai arba mirtinai susižeisti.
- Prieš darbą atlikite produkto patikrą. Žr. *Patikrinimas prieš paleidžiant psl. 232* ir *Veiksmai prieš naudojant įrenginį psl. 238*. Nenaudokite gaminio, jei jis yra pažeistas arba tinkamai neveikia. Atlikite šiame vadove nurodytas saugos patikras, techninės priežiūros ir aptarnavimo procedūras.
- Saugokite, kad su gaminiu nežaistų vaikai. Niekuomet neleiskite vaikams ar kitiems asmenims, neapmokytiems naudotis gaminiu ir / arba akumuliatoriumi, jais naudotis ar atlikti techninę priežiūrą. Vietos teisės aktuose gali būti nustatytas jauniausias amžius, nuo kurio galima naudoti tokius įrenginius.
- Laikykite gaminį užrakintoje patalpoje, kad jo nepasiektų vaikai arba neįgalioti asmenys.
- Gaminį laikykite ten, kur jo negali pasiekti vaikai.
- Be gamintojo leidimo jokių atveju negalima keisti originalios gaminio konstrukcijos. Būtinai naudokite originalias atsargines dalis. Nesuderinti konstrukcijos pakeitimai bei nepritaikytos detalės gali sukelti rimtus operatoriaus ir pašalinių asmenų kūno sužalojimus ir net mirtį.

**Pasižymėkite:** Naudojimą gali reglamentuoti nacionaliniai arba vietos teisės aktai. Laikykitės nustatytų taisyklių.

## Naudojimo saugos instrukcijos



**PERSPĖJIMAS:** Prieš naudodami gaminį, perskaitykite toliau esančius įspėjimus.

- **Nenaudokite įrenginio blogomis oro sąlygomis, ypač jei yra žaibo pavojus.** Taip sumažinsite pavojų būti nutrenktiems žaibo.

- **Krupočiai apžiūrėkite plotą, kuriame bus naudojamas įrenginys, ar nėra laukinių gyvūnų.** Veikiantis įrenginys gali juos sužeisti.
- **Nuodugnai patikrinkite vietą, kur bus naudojamas įrenginys, ir pašalinkite akmenis, pagalius, laidus, kaulus ir kitus pašalinius objektus.** Išsviedžiami daiktai gali sužaloti.
- **Prieš naudodami įrenginį visada patikrinkite, ar įjaustyvus ir įjaustyvuo agregatas nepažeisti.** Dėl apgadintų dalių didėja sužeidimo pavojus.
- **Apsaugos turi būti savo vietoje. Apsaugos turi atlikti savo funkciją ir būti tinkamai sumontuotos.** Atsilaisvinusi, pažeista arba netinkamai veikianti apsauga gali sužaloti dirbantįjį.
- **Visos aušinimo oro tiekimo angos turi būti švarios.** Užsikimšusios oro tiekimo angos ir nešvarumai gali sukelti perkaitimo arba gaisro pavojų.
- **Dėvėkite akių ir ausų apsaugos priemones.** Tinkamos apsaugos priemonės sumažina asmens sužalojimo pavojų.
- **Dirbdami su įrenginiu visada avėkite neslystančius ir apsauginius batus. Nenaudokite įrenginio basi arba avėdami atvirą avalynę.** Tokiu būdu sumažinsite pavojų susižeisti kojas dėl kontakto su judančiu įjaustyvu.
- **Visada dėvėkite drabužius, pvz., kelnes, kurios dengtų su įrenginiu dirbančią operatoriaus kojas.** Palietus judantį įjaustyvą ar lynelį galite susižaloti.
- **Naudojant įrenginį pašaliniai asmenys turi laikytis atokiau.** Išmetamos nuopjovos gali sunkiai sužeisti.
- **Nenaudokite įrenginio aukštyje virš juosmens.** Taip išvengsite netyčinio įjaustyvuo prisilietimo ir geriau valdysite įrenginį netikėtomis aplinkybėmis.
- **Būkite atsargūs, kai su įrenginiu įjauunate drėgną žolę. Eikite, niekada nebėkite.** Tokiu būdu sumažės pavojus paslysti ir nugriūti, tad išvengsite sužalojimų.
- **Nenaudokite įrenginio ant pėmelų stačių šlaitų.** Tokiu būdu sumažės pavojus nesuvaldyti įrenginio, paslysti ir nugriūti, tad išvengsite sužalojimų.
- **Dirbdami šlaituose visada įsitikinkite, kad tvirtai stovite, šlaitu visada kilkite horizontaliai, niekada nedirbkite judėdami aukštyn ir žemyn, būkite ypač atsargūs keisdami judėjimo kryptį.** Tokiu būdu sumažės pavojus nesuvaldyti įrenginio, paslysti ir nugriūti, tad išvengsite sužalojimų.
- **Visus elektros laidus ir kabelius laikykite toliau nuo pjovimo vietos.** Elektros laidai ar kabeliai gali būti paslėpti gyvatvorėse ar krūmuose ir juos galima netyčia nupjauti arba pažeisti lyneliu ar įjaustyvu.
- **Saugokite visas galūnes ir būkite toliau nuo judančio žoliapjovės įjaustyvuo ar lynelio. Nevalykite įrenginio po pjovimo, kol neatjungėte jo nuo maitinimo šaltinio.** Judantis žoliapjovės įjaustyvu ar lynelis gali sunkiai sužeisti.
- **Nešti galima tik išjungtą įrenginį ir laikant jį kuo toliau nuo kūno.** Jei įrenginys naudojamas tinkamai, sumažėja netyčinio kontakto su besisukančiu žoliapjovės įjaustyvu ar lyneliu galimybe.

- **Keisdami dalis naudokite tik gamintojo nurodytas pjovimo galvutes, įjaustyvus ar lynelius. Žoliapjovės įjaustyvų ar lynelių nekeiskite į metalinius laidus ar asmenis.** Dėl netinkamų atsarginių dalių kyla pavojus nesuvaldyti įrenginio, jį sugadinti ir susižeisti.

## Asmeninės apsauginės priemonės



**PERSPĖJIMAS:** Prieš naudodami gaminį, perskaitykite toliau esančius įspėjimus.

- Naudodami įrenginį būtinai dėvėkite patvirtintas asmenines apsaugines priemones. Asmeninės apsauginės priemonės nepadės visiškai išvengti pavojaus susižeisti, tačiau nelaimingo atsitikimo atveju mažiau nukentėsite. Leiskite prekybos atstovui padėti pasirinkti tinkamą įrangą.
  - Naudokite patvirtintas apsaugines ausines.
- (Pav. 17)
- Naudokite patvirtintas akių apsaugos priemones. Jei naudojamas apsauginis skydelis, turi būti nešiojami ir patvirtinti apsauginiai akiniai. Patvirtinti apsauginiai akiniai atitinka JAV ANSI Z87.1 standartą arba ES EN 166 standartą.

(Pav. 18)

- Kai būtina, pvz., montuojant, apžiūrint arba valant pjovimo įrangą, užsimaukite pirštines.

(Pav. 19)

- Avėkite apsauginius batus su plieninėmis nosimis ir neslystančiais padais.

(Pav. 20)

- Vilkėkite iš stiprios medžiagos pagamintus drabužius. Būtinai mūvėkite tvirtas, ilgas kelnes, vilkėkite aprangą ilgomis rankovėmis. Nevilkėkite laisvų drabužių, kurie gali užkibti už krūmokšnių ir šakų. Nedėvėkite papuošalų, trumpų kelnų ir neavėkite sandalų. Nebūkite basi. Saugiai susisiekite plaukus aukščiau pečių.
- Pasirūpinkite, kad netoliese būtų pirmosios pagalbos vaistinė.

(Pav. 21)

## Gaminio apsauginės priemonės



**PERSPĖJIMAS:** Prieš naudodami gaminį, perskaitykite toliau esančius įspėjimus.

Šiame skyriuje aprašytos gaminio saugos priemonės, jų paskirtis ir patarimai, kaip atlikti patikros ir priežiūros darbus, siekiant užtikrinti tinkamą gaminio veikimą. Žr. instrukcijas skyriuje, *Įvadas psl. 231* kad sužinotumėte, kur jūsų gaminyje yra šios dalys.

Gaminio naudojimo laikas gali sutrumpėti, o nelaimingų atsitikimų pavojus gali padidėti, jei gaminys nebus

tinkamai prižiūrimas, o techninė priežiūra ir (arba) remonto darbai nebus atliekami profesionaliai. Prireikus daugiau informacijos, prašome kreiptis į artimiausią techninės priežiūros atstovą.



**PERSPĖJIMAS:** Niekada nenaudokite gaminio, kurio apsauginės dalys yra pažeistos. Gaminio saugos įranga turi būti tikrinama ir prižiūrima taip, kaip yra aprašyta šiame skyrelyje. Jei gaminys neatitinka bet kurio iš šių kontrolinių reikalavimų, kreipkitės į savo techninės priežiūros atstovą dėl gaminio remonto.



**PASTABA:** Įrenginio techninė priežiūra ir taisyimas reikalauja specialaus pasirengimo. Tai ypač susiję su įrenginio saugos įranga. Jei jūsų įrenginys neatitiks nors vieno iš žemiau pateiktų kontrolės reikalavimų, kreipkitės į sertifikuotą remonto dirbtuvę. Įsigijus mūsų gaminį, garantuojame profesionalų aptarnavimą ir techninę priežiūrą. Jei įrenginio pardavėjas neatlieka aptarnavimo, paprašykite jo duoti artimiausios remonto dirbtuvės adresą.

#### Valdymo skydelio patikra

1. Paspauskite ir laikykite paleidimo / stabdymo mygtuką (A). (Pav. 22)
  - a) Gaminys įjungtas, kai šviečia šviesos diodas (B).
  - b) Gaminys išjungtas, kai užgesa šviesos diodas (B).
2. Jeigu įsižiebia arba mirksi įspėjamasis indikatorius (C), žr. *Valdymo skydelis psl. 242*

#### Maitinimo jungiklio užrakto patikra

Maitinimo jungiklio fiksatorius apsaugo nuo atsitiktinio paleidimo. Nuspaudus maitinimo jungiklio fiksatorių (A) maitinimo jungiklis (B) atleidžiamas. Atleidus rankeną, tiek maitinimo jungiklis, tiek jo fiksatorius grįžta į pradinę padėtį. (Pav. 23)

1. Patikrinkite, ar maitinimo jungiklis yra užfiksuotas, kai maitinimo jungiklio fiksatorius yra savo pradinėje padėtyje. (Pav. 24)
2. Paspauskite maitinimo jungiklį ir patikrinkite, ar atleistas jis grįžta į savo pradinę padėtį. (Pav. 25)
3. Patikrinkite, ar maitinimo jungiklis ir jo fiksatorius laisvai juda, o grįžimo spyruoklė veikia tinkamai. (Pav. 26)
4. Paleiskite gaminį. Žr. *Gaminio paleidimas psl. 239*.
5. Dirbkite visu pajėgumu.
6. Atleiskite maitinimo jungiklį ir įsitikinkite, kad pjovimo įtaisas visiškai sustoja.

#### Pjovimo įtaiso apsaugo patikra



**PERSPĖJIMAS:** Nenaudokite pjovimo įtaiso be patvirtinto ir tinkamai uždėto pjovimo įtaiso apsaugo. Visuomet naudokite rekomenduojamą pjovimo įtaisui pritaikytą apsaugą, žr. *Techniniai duomenys psl. 243*. Jei sumontuota netinkama ar sugedusi pjovimo įtaiso apsauga, galima sunkiai susižeisti.

Pjovimo įtaiso apsauga sustabdo operatoriaus kryptimi išsviedžiamus objektus. Taip pat pjovimo įtaiso apsauga saugo, kad nesusižeistumėte palietę pjovimo įtaisą.

1. Išjunkite variklį.
2. Apžiūrėkite, ar apsauga nesugadinta, pavyzdžiui, neįskilusi.
3. Jeigu pjovimo įtaiso apsauga sugadinta, ją pakeiskite.

#### Pjovimo įranga

Pasirinkite tinkamą pjovimo įrangą ir atlikite pjovimo įrangos priežiūros darbus, kad:

- išgautumėte maksimalią pjovimo jėgą;
- pailgintumėte pjovimo įrangos eksploatavimo trukmę.



**PERSPĖJIMAS:** Pjovimo įrangą naudokite tik su mūsų rekomenduojama apsauga! Žr. *Techniniai duomenys psl. 243*. Žiūrėkite pjovimo įrangos instrukcijas tam, kad galėtumėte tinkamai įdėti pjovimo lyną bei parinkti tinkamą žoliapjovės lyno skersmenį.



**PERSPĖJIMAS:** Pažeista pjovimo įranga padidina nelaimingų atsitikimų pavojų.



**PERSPĖJIMAS:** Prieš pradėdami dirbti su pjovimo įtaisu visada išjunkite variklį. Jis sukasi net ir atleidus akceleratorių. Prieš pradėdami dirbti prie šio įtaiso įsitikinkite, kad pjovimo įtaisas visiškai sustoja, ir atjunkite uždegimo žvakės antgalį.

#### Žoliapjovės galvutė



**PERSPĖJIMAS:** Siekiant išvengti pavojingos vibracijos, visuomet įsitikinkite, kad žoliapjovės lynas standžiai ir tolygiai apvyniotas apie būgną.

(Pav. 27)

- Naudokite tiktai rekomenduojamas žoliapjovės galvutes ir žoliapjovės lynus.
- Naudokite tik rekomenduojamus pjovimo įtaisus.
- Mažesniems įrenginiams reikia mažesnių žoliapjovės galvučių ir atvirksčiai.
- Taip pat svarbus žoliapjovės lyno ilgis. Ilgesniam lynui sukti reikia stipresnio variklio nei to paties storio trumpesniam lynui.
- Patikrinkite, ar nepažeistas prie apsauginio žoliapjovės skydelio pritvirtintas peilis. Jis nupjauna reikiamo ilgio žoliapjovės lyną.
- Prieš naudodami žoliapjovės lyną, pamirkykite jį porą dienų vandenyje, kad prailgėtų jo eksploatacavimo laikas.

## Akumuliatorių naudojimo sauga



**PERSPĖJIMAS:** Prieš naudodami gaminį, perskaitykite toliau esančius išspėjimus.

- Naudokite tik BLi serijos ir 40-B serijos akumuliatorius. Daugiau informacijos žr. *Techniniai duomenys psl. 243*. Akumuliatorius turi koduotą programinę įrangą.
- Naudokite BLi serijos ir 40-B serijos akumuliatorius, kurie yra įkraunami tik kaip „Husqvarna“ įrenginių maitinimo šaltiniai. Kad išvengtumėte sužeidimų, nenaudokite akumuliatoriaus kaip kitų gaminų maitinimo šaltinio.
- Elektros smūgio pavojus. Nejunkite akumuliatoriaus gnybtų prie raktų, monetų, atsuktuvų ar kitų metalinių daiktų. Galite sukelti akumuliatoriaus trumpąjį jungimą.
- Nenaudokite neįkraunamų akumuliatorių.
- Nekiškite objektų į akumuliatoriaus oro angas.
- Saugokite akumuliatorių nuo tiesioginių saulės spindulių, karščio ar atviros ugnies. Akumuliatorius gali sukelti terminius ir (arba) cheminius nudegimus.
- Saugokite akumuliatorių nuo lietaus ir drėgmės.
- Saugokite akumuliatorių nuo mikrobangų ir aukšto slėgio.
- Nebandykite akumuliatoriaus išmontuoti ar sulaužyti.
- Jei iš akumuliatoriaus teka skystis, saugokite nuo jo kūną ir akis. Jei palietėte skystį, gerai nuplaukite šią vietą vandeniu su muilu ir kreipkitės pagalbos į medikus. Jei skysčio patektų į akis, jų netrinkite, tačiau mažiausiai 15 minučių skalaukite vandeniu ir kreipkitės į gydytoją.
- Akumuliatorių naudokite nuo –10 °C (14 °F) iki 40 °C (114 °F) temperatūroje.
- Nevalykite akumuliatoriaus ar įkroviklio vandeniu. Žr. *Įrenginio, akumuliatoriaus ir akumuliatorių įkroviklio valymas psl. 241*.
- Nenaudokite sugadinto arba pažeisto akumuliatoriaus.
- Laikykite akumuliatorius atokiau nuo metalinių daiktų, pavyzdžiui, vinių, varžtų, juvelyrinių dirbinių.

- Saugokite akumuliatorių nuo vaikų.

## Įkroviklio sauga



**PERSPĖJIMAS:** Prieš naudodami gaminį, perskaitykite toliau esančius išspėjimus.

- Nesilaikant saugos instrukcijų, kyla elektros smūgio arba trumpojo jungimo rizika.
- Naudokite tik kartu su gaminiu pateiktą akumuliatoriaus įkroviklį. QC80 ir 40-C80 įkroviklius naudokite tik įkraudami BLi serijos ir 40-B serijos pakaitinius akumuliatorius.
- Nebandykite išmontuoti akumuliatoriaus įkroviklio.
- Nenaudokite sugadinto arba pažeisto akumuliatoriaus įkroviklio.
- Neikelkite akumuliatoriaus įkroviklio už maitinimo laido. Norėdami atjungti akumuliatoriaus įkroviklį nuo elektros lizdo, traukite už kištuko. Netraukite už elektros laido.
- Visus kabelius ir jungiamuosius laidus laikykite toliau nuo vandens, alyvos ir aštrių briaunų. Būkite atidūs, kad kabelio neprispaustų objektai, pvz., durys, tvoros ar pan.
- Nenaudokite akumuliatoriaus įkroviklio šalia degių arba koroziją sukeliančių medžiagų. Įsitinkite, kad akumuliatoriaus įkroviklis neuždengtas. Pastebėję dūmus ar liepsną, ištraukite akumuliatoriaus įkroviklio kištuką.
- Įkraukite akumuliatorių tik gerai vėdinamoje patalpoje, saugodami nuo saulės spindulių. Nekraukite akumuliatoriaus lauke. Nekraukite akumuliatoriaus drėgnomis sąlygomis.
- Akumuliatorių įkroviklį naudokite nuo 5 °C (41 °F) iki 40 °C (104 °F) temperatūroje. Įkroviklį naudokite gerai vėdinamoje, sausoje ir nedulkėtoje aplinkoje.
- Nekiškite objektų į įkroviklio aušinimo angas.
- Neprijunkite akumuliatorių įkroviklio gnybtų prie metalinių daiktų, nes taip sukelsite akumuliatorių įkroviklio trumpąjį jungimą.
- Naudokite patvirtintus ir nepažeistus elektros tinklo lizdus. Įsitinkite, kad akumuliatoriaus įkroviklio laidas yra nepažeistas. Jei naudojami jungiamieji kabeliai, įsitinkite, kad jie nepažeisti.
- Akumuliatorių įkrovikliais nekraukite neįkraunamų akumuliatorių.

## Priežiūros saugos instrukcijos



**PERSPĖJIMAS:** Prieš atlikdami gaminio techninę priežiūrą, perskaitykite toliau esančius išspėjimus.

- Prieš atlikdami techninę priežiūrą, kitą patikrą ar montuodami įrenginį, išimkite akumuliatorių.
- Operatorius gali atlikti tik tokius priežiūros ir techninės priežiūros darbus, kurie aprašyti šiame operatoriaus vadove. Dėl didesnių techninės

priežiūros ir aptarnavimo darbų kreipkitės į techninės priežiūros atstovą.

- Nevalykite akumulatoriaus ar įkroviklio vandeniu. Stiprus ploviklis gali sugadinti įrenginį.
- Neatliekant techninės priežiūros trumpėja įrenginio naudojimo laikas ir didėja nelaimingų atsitikimų pavojus.
- Visiems techninės priežiūros ir remonto darbams atlikti būtini specialūs mokymai, ypač atliekant su

sauga susijusios įrangos priežiūrą. Jeigu atlikus techninę priežiūrą patvirtinti ne visi šiame naudotojo vadove nurodyti punktai, kreipkitės į techninės priežiūros atstovą. Garantuojame, kad jis suteiks profesionalią priežiūrą ir atliks gaminio techninės priežiūros darbus.

- Naudokite tik originalias atsargines dalis.

---

## Surinkimas

---

### Įvadas



**PERSPĖJIMAS:** Prieš surinkdami gaminį perskaitykite ir supraskite skyrių apie saugą.

### Žoliapjovės apsauginio elemento tvirtinimas

1. Atremkite žoliapjovės apsaugą į variklio korpusą. (Pav. 28).
2. Įsukite varžtą į variklio korpusą ir žoliapjovės apsaugą. (Pav. 29)
3. Priveržkite varžtą.

### Žoliapjovės galvutės surinkimas

1. Sukite darbinį veleną, kol varančiojo disko anga susilygiuos su pavaru dėžės anga.
2. Į angą įkiškite fiksavimo kaištį, kad jis gerai pritvirtintų veleną.
3. Pasukite žoliapjovės galvutę prieš laikrodžio rodyklę. (Pav. 30)

### Kilpinės rankenos tvirtinimas

1. Įsukite varžtą į kilpinę rankeną. (Pav. 31)

2. Pritvirtinkite kilpinę rankeną prie įtaiso ant veleno.
3. Priveržkite varžtus.
4. Sureguliuokite tinkamą kilpinės rankenos padėtį. žr. *Kilpinės rankenos ir teleskopinio veleno reguliavimas psl. 239.*

### Augalų apsaugos įrengimas

1. Augalų apsaugą įkiškite į angas variklio korpuse. (Pav. 32)
2. Įsitinkinkite, kad augalų apsauga gali laisvai judėti į priekį ir atgal. (Pav. 33)

### Akumulatoriaus įkroviklio 40-C80 tvirtinimas prie sienos



**PASTABA:** Montuodami akumuliatorių įkroviklį ant sienos, nenaudokite elektrinio atsuktuvo. Elektriniu atsuktuvu galima pakenkti akumuliatorių įkrovikliui.

1. Akumulatoriaus įkroviklį prie sienos tvirtinkite 2 varžtais (B). Jei reikia, naudokite sieninius kaiščius (A). (Pav. 34)
2. Įkiškite 2 varžto angos kaiščius (C).
3. Prijunkite laidą prie akumulatoriaus įkroviklio ir įjunkite į maitinimo tinklą.

---

## Naudojimas

---

### Įvadas



**PERSPĖJIMAS:** Prieš naudodami gaminį perskaitykite ir supraskite skyrių apie saugą.

### Veiksmai prieš naudojant įrenginį

- Apžiūrėkite darbo vietą, kad žinotumėte reljefo tipą. Apžiūrėkite grunto nuolydį, pažiūrėkite, ar yra kliūčių, pvz., akmenų, šakų ir griovių.
- Atlikite bendrąją įrenginio patikrą.
- Atlikite šioje instrukcijoje aprašytas saugos patikras, priežiūros ir techninės priežiūros procedūras.

- Patikrinkite, ar variklis švarus ir jame nėra įtrūkių. Nuvalykite nuo variklio žolę ir lapus šepečiu. Jei reikia, apsimaukite pirštines.
- Patikrinkite, ar nesugadinta ir neįskilusi žoliapjovės galvutė ir pjovimo įrangos apsauga. Sugadintą arba įskilusią žoliapjovės galvutę ir pjovimo įrangos apsaugą pakeiskite.
- Patikrinkite, ar veržlės ir varžtai priveržti.
- Prieš paleisdami gaminį pasirūpinkite, kad visi dangčiai, apsaugai, rankenos ir pjovimo įtaisas būtų tinkamai pritvirtinti ir nesugadinti.

## Akumulatorius



**PERSPĖJIMAS:** Prieš naudodami akumuliatorių perskaitykite ir supraskite skyrių apie saugą. Perskaitykite ir supraskite akumuliatoriaus bei akumuliatoriaus įkroviklio naudojimo instrukcijas.

Akumuliatorių ir akumuliatoriaus įkroviklį laikykite tinkamoje aplinkos temperatūroje.

	Aplinkos temperatūra
Akumuliatoriaus veikimas	5 °C–40 °C / 41 °F–104 °F

LED indikatorius lemputė	Akumuliatoriaus būseną (įkrovos būseną)	
	BLI10, BLI20	40-B70, 40-B140
Šviečia 4 LED indikatoriai	Netaikoma	Akumulatorius įkrautas 76–100 %.
Šviečia 3 LED indikatoriai	Akumulatorius įkrautas 76–100 %.	Akumulatorius įkrautas 51–75 %.
Šviečia 2 LED indikatoriai	Akumulatorius įkrautas 51–75 %.	Akumulatorius įkrautas 26–50 %.
Šviečia 1 LED indikatorius	Akumulatorius įkrautas 26–50 %.	Akumulatorius įkrautas 6–25 %.
Mirksi 1 LED indikatorius	Akumulatorius įkrautas 0–25 %.	Akumulatorius įkrautas 0–5 %.

## Akumuliatoriaus įkrovimas

Jeigu naudojate įrenginį pirmą kartą, įkraukite akumuliatorių. Naujas akumuliatorius įkrautas tik 30 %.



**PASTABA:** Prijunkite akumuliatoriaus įkroviklį tik prie nominalių parametų plokštelėje nurodytos įtampos ir dažnio maitinimo lizdo.

Jei akumuliatoriaus temperatūra yra didesnė nei 50 °C (122 °F), jo nepavyks įkrauti.

1. Prijunkite maitinimo laidą prie akumuliatorių įkroviklio.
2. Prijunkite akumuliatoriaus įkroviklį prie žeminto maitinimo lizdo. Įkrovimo LED indikatorius mirksi vieną kartą. (Pav. 36)
3. Prijunkite akumuliatorių prie įkroviklio. Įsižiebia įkrovimo šviesos diodas. Akumuliatorių kraukite daugiausia 24 valandas. (Pav. 37)
4. Paspauskite akumuliatoriaus indikacinį mygtuką; jei užsidega visi LED indikatoriai, akumuliatorius visiškai įkrautas.
5. Ištraukite akumuliatoriaus įkroviklį iš maitinimo lizdo. Netraukite už elektros laido.
6. Iš įkroviklio išimkite akumuliatorių.

	Aplinkos temperatūra
Akumuliatoriaus įkrovimas	5 °C–40 °C / 41 °F–104 °F

## Akumuliatoriaus būseną

Ekране rodoma akumuliatoriaus įkrovos būseną ir galimos akumuliatoriaus problemos.

(Pav. 35)

## Akumuliatoriaus prijungimas prie įrenginio



**PERSPĖJIMAS:** Gaminiui naudokite tik originalų Husqvarna akumuliatorių.

1. Iki galo įkraukite akumuliatorių.
2. Įstatykite akumuliatorių į gaminio akumuliatoriaus laikiklį. Akumuliatorius bus užfiksuotas tada, kai išgirsite spragtelėjimą. (Pav. 38)



**PASTABA:** Jei akumuliatorius lengvai neįsistato į akumuliatoriaus laikiklį – akumuliatorius uždėtas netinkamai. Antraip galima sugadinti gaminį.

## Gaminio paleidimas

1. Paspauskite ir palaikykite įjungimo mygtuką, kol įsižiebs žalias šviesos diodas. (Pav. 39)
2. Paspauskite maitinimo jungiklio fikساتorių ir maitinimo jungiklį. Pjovimo įranga pradeda sukintis.

## Kilpinės rankenos ir teleskopinio veleno reguliavimas

1. Atsukite fiksavimo rankeną ir sureguliuokite tinkamą kilpinės rankenos padėtį. (Pav. 40)

2. Uždarykite fiksavimo rankeną.
3. Atsukite ant veleno esančią svirtį. (Pav. 41)
4. Ant veleno nustatykite reikiamą ilgį. Įsitikinkite, kad ant veleno matosi trikampis. (Pav. 42)
5. Uždarykite svirtį ir priveržkite varžtą.

**Pasižymėkite:** Netvirtinkite kilpinės rankenos ant perspėjimo lipduku, esančių ant veleno.

## „Save“ funkcijos naudojimas

Šis gaminys turi funkciją „Save“.

**Pasižymėkite:** Funkcija „Save“ nesumažina gaminio pjovimo galios.

1. Klaviatūroje nuspauskite mygtuką „Save“.
2. Įsitikinkite, kad įsijiebė žalias LED indikatorius.
3. Paspauskite mygtuką „Save“ dar kartą, kad išjungtumėte funkciją. Žalias LED indikatorius užgęsta. (Pav. 43)

## Automatinio išjungimo funkcija

Šis gaminys turi išjungimo funkciją, kuri išjungia gaminį, jei jis nenaudojamas. Žalias paleidimo / stabdymo šviesos diodas užgęsta ir gaminys sustabdomas po 180 sekundžių.

## Gaminio naudojimas

### Žolės trumpinimas

1. Kampu pasuką žoliapjovės galvutę laikykite prie pat žemės. Nespauskite žoliapjovės lynelio prie žolės. (Pav. 44)
2. Sutrumpinkite žoliapjovės lynelį 10–12 cm / 4–4,75 col.
3. Sumažinkite variklio apsakas, kad sumažintumėte augalams keliamą pavojų.
4. Pjudami žolę greta kitų objektų, naudokite 80 % variklio galios. (Pav. 45)

### Aukštos žolės pjovimas

1. Laikykite žoliapjovės galvutę virš žemės.

2. Pakreipkite žoliapjovės galvutę.
3. Pjaukite pjovimo lynelio galiuku aplink darbo vietoje esančius daiktus.



**PASTABA:** Pjaukite tik žolę. Pjovimo lynelis greičiau nusidėvi, jei juo užkliudomi kiti daiktai.

## Žolės pjovimas

1. Pjudami žolę stenkitės pjovimo lynelį laikyti lygiagrečiai žemei. (Pav. 46)
2. Nespauskite žoliapjovės galvutės prie žemės. Antraip galima sugadinti gaminį.
3. Pjudami žolę judinkite įrenginį iš vienos pusės į kitą. Naudokite maksimalias apsakas. (Pav. 47)

## Žolės šlavimas

Besisukančio žoliapjovės lyno sukuriama oro srautu galima iš teritorijos pašalinti nupjautą žolę.

1. Laikykite žoliapjovės galvutę ir žoliapjovės lyną lygiagrečius žemės paviršiui ir aukščiau jo.
2. Iki galo nuspauskite akceleratorių.
3. Judinkite žoliapjovės galvutę iš vienos pusės į kitą ir taip šluokite žolę.



**PERSPĖJIMAS:** Kaskart dėdami naują žoliapjovės lyną nuvalykite žoliapjovės galvutę, kad ji neišsibalansuotų ir nevibruotų rankenos. Be to, patikrinkite ir prireikus valykite kitas žoliapjovės galvutės dalis.

## Gaminio sustabdymas

1. Atleiskite maitinimo jungiklį ir maitinimo jungiklio fiksatorių.
2. Paspauskite ir laikykite paleidimo / stabdymo mygtuką, kol užges žalias šviesos diodas.
3. Išimkite akumuliatorių iš gaminio paspausdami ant jo esančius atlaisvinimo mygtukus. (Pav. 48)

## Žoliapjovės lynelio keitimas

Žr. paskutinį šios naudojimo instrukcijos puslapį.

# Techninė priežiūra

## Įvadas



**PERSPĖJIMAS:** Prieš prižiūradami produktą, perskaitykite ir supraskite saugos skyrių.

## Priežiūros grafikas



**PERSPĖJIMAS:** Prieš atlikdami priežiūros darbus išimkite akumuliatorių.

Toliau pateiktas būtinų gaminio priežiūros darbų sąrašas. Daugiau informacijos žr. *Techninė priežiūra psl. 240*



Techninės priežiūros darbas	Kasdien	Kiekvie- ną sa- vaitę	Kiekvie- ną mėnesį
Nuvalykite išorines gaminio dalis sausa šluoste. Nenaudokite vandens.	X		
Patikrinkite, ar paleidimo ir stabdymo jungiklis gerai veikia ir nėra pažeistas.	X		
Patikrinkite, ar maitinimo jungiklio ir paties mygtuko fiksavimo funkcija veikia saugiai.	X		
Įsitikinkite, kad visi valdikliai veikia ir nėra pažeisti.	X		
Rankenos visuomet turi būti sausas, švarios ir neištepotos alyva ar tepalais.	X		
Įsitikinkite, kad nepažeistas pjovimo įtaisas. Pakeiskite pjovimo įtaisą, jei jis su- gadintas.	X		
Įsitikinkite, kad pjovimo įtaiso apsaugas nepažeistas. Jeigu pjovimo įtaiso apsau- ga sugadinta, ją pakeiskite.	X		
Patikrinkite, ar gerai priveržtos varžlės ir varžtai.	X		
Įsitikinkite, kad tinkamai veikia akumuliatoriaus atlaisvinimo mygtukai ir akumu- liatorius fiksuojamas prie gaminio.	X		
Apžiūrėkite, ar akumuliatoriaus įkroviklis nepažeistas ir veikia tinkamai.	X		
Įsitikinkite, kad akumuliatorius nepažeistas.	X		
Patikrinkite, ar akumuliatorius įkrautas.	X		
Įsitikinkite, kad akumuliatoriaus įkroviklis nepažeistas.	X		
Patikrinkite visus kabelius, movas ir jungtis. Įsitikinkite, kad jie nepažeisti ir ant jų nėra purvo.		X	
Patikrinkite jungtis tarp akumuliatoriaus ir gaminio. Patikrinkite jungtį tarp akumu- liatoriaus ir akumuliatoriaus įkroviklio.			X

## Akumuliatoriaus ir akumuliatoriaus įkroviklio patikra

1. Patikrinkite, ar nepažeistas akumuliatorius, pvz., nėra įtrūkimų.
2. Patikrinkite, ar nepažeistas akumuliatorių įkroviklis, pvz., nėra įtrūkimų.
3. Įsitikinkite, kad akumuliatoriaus įkroviklio prijungimo laidas nepažeistas ir be įtrūkimų.

## Įrenginio, akumuliatoriaus ir akumuliatorių įkroviklio valymas

1. Baigę darbą nuvalykite įrenginį sausa šluoste.
2. Nuvalykite akumuliatorių ir akumuliatorių įkroviklį sausa šluoste. Akumuliatoriaus uždėjimo takeliai turi būti švarūs.

3. Prieš įstatydami akumuliatorių į akumuliatorių įkroviklį ar įrenginį, įsitikinkite, kad akumuliatoriaus kontaktai ir akumuliatorių įkroviklio kontaktai yra švarūs.

## Žoliapjovės galvutės patikra ir keitimas

1. Apžiūrėkite, ar žoliapjovės galvutė nėra sugadinta ir įskilusi.
2. Ištraukite žoliapjovės lyno nuleistuvą.
3. Nuimkite žoliapjovės galvutę. (Pav. 49)
4. Uždėkite žoliapjovės galvutę.
5. Surinkite žoliapjovės galvutę. Žr. *Žoliapjovės galvutės surinkimas psl. 238*.

## Gedimai ir jų šalinimas

### Valdymo skydelis

Šviesos diodų ekranas	Galimi gedimai	Galimi sprendimai
Mirksi klaidos šviesos diodas.	Perkrova	Pjovimo įtaisas negali laisvai judėti. Nuimkite pjovimo įtaisą.
	Temperatūros svyravimai	Leiskite įrenginiui atvėsti.
Nepavyksta paleisti gaminio.	Vienu metu paspauskite maitinimo jungiklį ir užvedimo mygtuką.	Atleiskite maitinimo jungiklį ir sustabdykite gaminį.
Klaidos šviesos diodas įsižiebia raudona spalva.	Būtina atlikti gaminio priežiūros darbus	Kreipkitės į techninio aptarnavimo atstovą.

### Akumulatorius

LED ekranas	Galimi gedimai	Galimi veiksmai
Mirksi žalias šviesos diodas.	Nepakankama baterijos įtampa.	Įkraukite akumuliatorių.
Mirksi klaidos šviesos diodas.	Temperatūros svyravimai.	Akumuliatorių naudokite nuo -10°C (14°F) iki 40°C (104°F) temperatūroje.
	Per didelė įtampa.	Įsitikinkite, kad elektros tinklo įtampa atitinka tą, kuri yra nurodyta ant gaminio nominalių parametrų plokštelės. Iš įkroviklio išimkite akumuliatorių.
Šviečia klaidos šviesos diodas.	Pernelyg didelis blokų skirtumas (1V).	Kreipkitės į techninio aptarnavimo atstovą.

### Akumulatoriaus įkroviklis

Problema	Galimi gedimai	Galimas sprendimas
Įkrovimo šviesos diodas yra raudonos spalvos.	Nepataisoma akumulatoriaus įkroviklio klaida.	Susisieki su savo prekybos atstovu.
Įkrovimo šviesos diodas mirksi žaliai.	Temperatūros svyravimai, akumulatorius yra per šaltas arba per karštas.	Leiskite akumuliatoriui atvėsti arba įšilti. Kai akumuliatorius yra tinkamos temperatūros, jį galima vėl naudoti arba įkrauti. Akumulatoriaus įkroviklį naudokite, kai aplinkos temperatūra yra nuo 5 °C (41 °F) iki 40 °C (104 °F).
Įkrovimo šviesos diodas mirksi raudonai.	Akumulatoriaus gedimas.	Susisieki su savo prekybos atstovu.

## Transportavimas, saugojimas ir utilizavimas

### Gabenimas ir laikymas

- Pateikiamam ličio jonų akumuliatoriui taikomos pavojingų krovinių gabenimo taisyklės.
- Laikykites specialių komercinių krovinių gabenimui, įskaitant trečiųjų šalių ar tarpininko transporto priemonėmis, taikomų reikalavimų dėl pakavimo ir ženklavimo.
- Pasitarkite su pavojingų medžiagų gabenimo specialistu prieš siųsdami įrenginį. Laikykites visų taikomų nacionalinių reikalavimų.
- Pakuodami akumuliatorių uždėkite juostą ant atvirų kontaktų. Tvirtai supakuokite akumuliatorių, kad jis nejudėtų.
- Sandėliavimo ar transportavimo metu atjunkite akumuliatorių.
- Akumuliatorių ir akumuliatorių įkroviklį laikykite sausoje, drėgnoje ir teigiamos temperatūros vietoje.
- Nelaikykite akumuliatoriaus tokioje vietoje, kur gali susidaryti statiniai krūviai. Nelaikykite akumuliatoriaus metalinėje dėžutėje.
- Laikykite akumuliatorių vietoje, kurios temperatūra nuo 5 °C / 41 °F iki 25 °C / 77 °F, saugokite nuo tiesioginių saulės spindulių.
- Laikykite akumuliatorių įkroviklį vietoje, kurios temperatūra nuo 5 °C / 41 °F iki 45 °C / 113 °F, saugokite nuo tiesioginių saulės spindulių.
- Akumuliatoriaus įkroviklį naudokite, tik kai aplinkos temperatūra yra 5–40 °C / 41–104 °F.

- Prieš saugodami ilgesnį laiką pasirūpinkite, kad akumuliatorius būtų įkrautas 30–50 %.
- Akumuliatorių įkroviklį laikykite uždaroje ir sausoje patalpoje.
- Saugodami išimkite akumuliatorių iš akumuliatoriaus įkroviklio. Neleiskite vaikams ar kitiems nepatvirtintiems asmenims liesti įrenginio. Įrenginį laikykite užrakintoje vietoje.
- Prieš saugodami gaminį ilgesnį laiką, išvalykite jį ir atlikite visus techninės priežiūros darbus.
- Transportuodami ar sandėliuodami įrenginį naudokite įrenginio transportavimo apsaugą, kad išvengtumėte sužalojimų ar produkto sugadinimo.
- Gabendami saugiai pritvirtinkite įrenginį.

### Akumuliatoriaus, akumuliatorių įkroviklio ir įrenginio šalinimas

Ant gaminio ar ant jo pakuotės pateikti simboliai rodo, kad šio gaminio negalima išmesti kartu su buitinėmis atliekomis. Nuvežkite jį į elektros ir elektronikos įrenginių perdirbimo punktą. Taip saugosite nuo taršos aplinką ir žmones.

Jeigu reikia papildomos informacijos, kaip perdirbti jūsų gaminį, kreipkitės į vietines institucijas, buitinių atliekų surinkimo tarnybą arba pardavimo atstovą.

## Techniniai duomenys

### Techniniai duomenys

	<b>215iL</b>
<b>Variklis</b>	
Variklio tipas	BLDC
Galios atidavimo veleno greitis, aps./min	6800
Pjovimo plotis, mm	310
<b>Svoris</b>	
Svoris be akumuliatoriaus, kg	2,9
<b>Skleidžiamas triukšmas</b> <sup>43</sup>	
Garso galios lygis, išmatuotas dB (A)	90,5

<sup>43</sup> Triukšmas, skleidžiamas į aplinką, išmatuotas kaip garso galia ( $L_{WA}$ ) pagal EB direktyvą 2000/14/EB. Skirtumas tarp garantuojamojo ir matuojamojo garso stiprumo yra tas, kad pagal Direktyvą 2000/14/EB garantuojamasis garso stiprumas apima ir matavimo rezultatų sklaidą bei nukrypimus tarp skirtingų to pačio modelio įrenginių.

	<b>215iL</b>
Garso galios lygis, garantuojamas $L_{WA}$ dB (A)	92
<b>Triukšmo lygiai</b> <sup>44</sup>	
Ekvivalentinis garso slėgio lygis naudotojo ausyse, išmatuotas pagal EN ISO 50636-2-91, dB (A):	74,9
<b>Vibracijos lygis</b> <sup>45</sup>	
Vibracijos lygis rankenoje išmatuotas pagal EN50636-2-91, $m/s^2$	4,5/2,7
Sumontuota pjovimo galvutė (originalas), priekis / galas.	

### Gaminiui patvirtinti akumulatoriai

Akumulatorius	BLi10		BLi20		40-B70	40-B140
Tipas	Ličio jonų		Ličio jonų		Ličio jonų	Ličio jonų
Akumulatoriaus talpa, Ah	Žr. akumulatoriaus nominaliųjų parametrų lipduką		Žr. akumulatoriaus nominaliųjų parametrų lipduką		Žr. akumulatoriaus nominaliųjų parametrų lipduką	Žr. akumulatoriaus nominaliųjų parametrų lipduką
Nominali įtampa, V	36	36,5	36	36,5	36	36
Svoris, svar. / kg	0,7	0,7	1,2	1,2	0,8	1,25

### Gaminiui patvirtinti akumuliatorių įkrovikliai

Akumulatoriaus įkroviklis	QC80	40-C80
Maitinimo įtampa, V	100–240	100–240
Dažnis, Hz	50–60	50–60
Galia, W	100	72
Išėjimo įtampa, V nuol. srovė / Amperai, A	36 / 2	43 / 1,6

<sup>44</sup> Pateiktuose duomenyse apie ekvivalentinį gaminio garso slėgio lygį yra 2,5 dB (A) tipiška statistinė sklaida (standartinis nuokrypis).

<sup>45</sup> Pateiktuose vibracijos lygio duomenyse yra 1,5  $m/s^2$  tipiška statistinė sklaida (standartinis nuokrypis).

---

## Priedai

---

### Patvirtinti priedai

Patvirtinti priedai	Tipas	Pjovimo įrangos apsauginis elementas, gam. nr.
Žoliapjovės galvutė	R25B (Ø 2 mm lynelis)	529 96 69-01

# Atitikties deklaracija

## ES atitikties deklaracija

Mes, **Husqvarna AB**, SE-561 82 Huskvarna, Švedija, tel. +46-36-146500, atsakingai patvirtiname, kad gaminy:

<b>Aprašymas</b>	Akumuliatorinė žoliapjovė
<b>Gamintojas</b>	Husqvarna
<b>Tipas / modelis</b>	215iL
<b>Identifikacijos numeris</b>	Serijos numeriai nuo šios datos: 2024 ir vėlesni

visiškai atitinka šias ES direktyvas ir reglamentus:

Direktyva / reglamentas	Aprašymas
2006/42/EB	„dėl mašinų“
2014/30/ES	„dėl elektromagnetinio suderinamumo“
2000/14/EB	„dėl į aplinką skleidžiamo triukšmo“
2011/65/ES	„dėl tam tikrų pavojingų medžiagų naudojimo elektros ir elektroninėje įrangoje apribojimo“

ir kad laikomasi šių standartų ir (arba) techninių specifikacijų: EN 60335-1:2012/A15:2021, EN 50636-2-91:2014, EN IEC 63000:2018, EN IEC 55014-1:2021; EN IEC 55014-2:2021.

Notifikuotoji įstaiga: 0197 TÜV Rheinland LGA Products GmbH, Tillystraße 2, 90431 Nürnberg, Germany patvirtino atitiktį Tarybos direktyvai 2000/14/EB; atitikties įvertinimo procedūra: VI priedas.

Informacijos apie triukšmo emisiją žr. *Techniniai duomenys psl. 243.*

Huskvarna, 2024-02-01

Claes Losdal, Mokslinių tyrimų ir plėtros skyriaus vadovas, „Husqvarna AB“

Atsakingas už techninę dokumentaciją



## Saturs

Ievads.....	247	Pārvadāšana, glabāšana un utilizēšana.....	259
Drošība.....	248	Tehniskie dati.....	259
Montāža.....	254	Piederumi.....	261
Lietošana.....	254	Atbilstības deklarācija.....	262
Apkope.....	257	Pielikums .....	454
Problēmu novēršana.....	258		

---

## levads

---

### Izstrādājuma apraksts

Husqvarna 215iL ir akumulatora zāles trimers ar elektromotoru.

Mēs nepārtraukti strādājam, lai uzlabotu jūsu drošību un efektivitāti, darbojoties ar šo ierīci. Lai iegūtu plašāku informāciju, sazinieties ar apkopes sniedzēju.

### Paredzētā lietošana

Izstrādājumu izmanto ar nemetāliskām trimera auklām, nemetāliskām stieplēm vai līdzvērtīgiem nemetāliskiem

elastīgiem plaušanas elementiem. Nelietojiet šo izstrādājumu citiem uzdevumiem, kā vien nezāļu, zāles vai tam līdzīgas mīkstās veģetācijas plaušanai.

---

**Piezīme:** Šī izstrādājuma lietošanu var ierobežot valsts normatīvie akti.

---

### Izstrādājuma pārskats

(Att. 1)

1. Trimera galva
2. Plaušanas ierīces aizsargs
3. Kāts
4. Vārpstas regulēšana (teleskopiska)
5. Cilpas formas rokturis
6. Tastatūra
7. Tastatūras brīdinājuma indikators
8. Iedarbināšanas/izslēgšanas poga
9. Poga SavE
10. Piedziņas mēlīte
11. Piedziņas mēlītes bloķētājs
12. Darbības un brīdinājuma indikators
13. Savienotājs
14. Akumulatora lādētājs 40-C80
15. Akumulatora lādētājs QC80
16. Barošanas kabelis
17. Augu aizsargs
18. Akumulatora brīdinājuma indikators
19. Akumulatora statuss
20. Akumulatora indikatora poga
21. Akumulatora atvienošanas pogas
22. Akumulators
23. Kombinētais darbarīks
24. Lietošanas rokasgrāmata

(Att. 5) Nepakļaujiet ierīci lietus iedarbībai.

(Att. 6) Trokšņa emisijas līmenis vides marķējumā saskaņā ar ES (tostarp Jaundienvideļsas tiesību aktiem) un Apvienotās Karalistes direktīvām un regulām. Trokšņa izplūdes dati ir atrodami uz iekārtas etiķetes un nodajā Tehniskie dati.

(Att. 7) Nodrošiniet, ka garāmgājēji ir drošā attālumā no tā.

(Att. 8) Pirms apkopes atvienojiet akumulatoru.

(Att. 9) Izstrādājums vai iepakojums nav sadzīves atkritumi. Uzturējiet to elektrisko un elektronisko ierīču pārstrādes uzņēmumā.

(Att. 10) Šis izstrādājums atbilst piemērojamo EU direktīvu prasībām.

(Att. 11) Šis produkts atbilst spēkā esošajām AK regulām.

(Att. 12) Līdzstrāva

yyyywwxxxx

Datu plāksnītē vai lāzera izdrukā ir norādīts sērijas numurs. **yyyy** ir ražošanas gads, un **ww** ir ražošanas nedēļa.

### Simboli uz izstrādājuma

(Att. 2) **BRĪDINĀJUMS.** Šis produkts var būt bīstams un radīt smagas vai nāvējošas traumas operatoram vai citiem cilvēkiem. Esiet uzmanīgi un lietojiet produktu pareizi.

(Att. 3) Rūpīgi izlasiet šo lietotāja rokasgrāmatu un pirms izstrādājuma lietošanas pārlicinieties, vai izprotat instrukcijas.

(Att. 4) Izmantojiet acu aizsarglīdzekļus.

### Simboli uz akumulatora un/vai akumulatora lādētāja

(Att. 16) Uzturējiet šo izstrādājumu elektrisko un elektronisko ierīču pārstrādes uzņēmumā. (Attiecās vienīgi uz Eiropu)

- (Att. 13) Bezatzeices transformators.
- (Att. 14) Lietojiet un uzglabājiēt akumulātoru lādētāju tikai iekštelpās.
- (Att. 15) Dubultā izolācija.

- ir veikts nepareizs produkta remonts;
- produkta remonts ir veikts, izmantojot detaļas, ko nav nodrošinājis vai apstiprinājis ražotājs;
- produktam tiek pievienots piederums, ko nav nodrošinājis vai apstiprinājis ražotājs;
- produkta remonts nav veikts pilnvarotā remontdarbnīcā vai pie pilnvarota speciālista.

## Produkta bojājumi

Mēs neatbildam par mūsu produkta bojājumiem, ja:

---

## Drošība

---

### Drošības definīcijas

Brīdinājumi, norādes "Uzmanību!" un piezīmes tiek izmantotas, lai izceltu īpaši svarīgas lietotāja rokasgrāmatas daļas.



**BRĪDINĀJUMS:** Tiek izmantota tad, ja rokasgrāmatā sniegto instrukciju neievērošanas dēļ operatoram vai blakus esošajām personām draud traumu vai nāves risks.



**IEVĒROJIET:** Tiek izmantota tad, ja rokasgrāmatā sniegto instrukciju neievērošanas dēļ rodas izstrādājuma, citu materiālu vai blakus esošās teritorijas bojājuma risks.

**Piezīme:** Tiek izmantota, lai sniegtu plašāku informāciju, kas nepieciešama attiecīgajā situācijā.

### Vispārīgi drošības brīdinājumi par elektriskā darbarīka lietošanu



**BRĪDINĀJUMS:** Izlasiet visus drošības brīdinājumus un norādījumus. Neievērojot brīdinājumus un norādījumus, var rasties elektrotrauma, aizdegšanās un/vai smagas traumas.

**Piezīme:** Saglabājiēt visus brīdinājumus un norādījumus turpmākām uzziņām. Brīdinājumos izmantotais termins "elektriskais darbarīks" attiecas uz elektrisko darbarīku, kura barošanu nodrošina elektrotīkls (ar kabeli) vai akumulātors (bez kabeļa).

### Pārbaude pirms iedarbināšanas

- Lai novērstu produkta nejaušas iedarbināšanas risku, vienmēr izņemiēt akumulātoru. Pirms produkta tehniskās apkopes vienmēr izņemiēt akumulātoru.

- Pirms produkta lietošanas un pēc triecieniem pārbaudiēt, vai nav radušās nodiluma vai bojājumu pazīmes, un, ja nepieciešams, veiciēt remontdarbus.
- Pārbaudiēt darba zonu. Novāciēt visus vaļiġos priekšmetus, piemēram, akmeņus, stikla lauskas, naglas, tērauda stiepli, auklas un citus priekšmetus, kas var tikt izsviesti vai aptīties apkārt griezējam vai griezēja aizsargam.
- Pārbaudiēt, vai motors nav netīrs un saplaisājis. Ar suku notīriēt no motora zāli un lapas. Ja nepieciešams, uzvelciēt cimdus.
- Pārbaudiēt, vai trimmera galva ir pilnībā savienota ar trimmeri.
- Pārbaudiēt, vai produkts ir izcilā darba stāvoklī. Pārbaudiēt vai visas uzgriezņi un skrūves ir pievilkti.
- Pārbaudiēt, vai trimmera galva un trimmera aizsargs nav bojāts vai saplaisājis. Nomainiēt trimmera galvu vai trimmera aizsargu, ja tie ir bijuši pakļauti triecienam vai iekļaušūši. Vienmēr lietojiēt konkrētai griešanas ierīcei ieteikto aizsargu. Skatiēt nodaļu Tehniskie dati.
- Produkta operatoram jānodrošina, lai darba laikā citi cilvēki vai dzīvnieki atrastos vismaz 15 metru attālumā. Ja vairāki operatori strādā vienā darba vietā, drošības attālumam starp tiem jābūt ne mazākam par 15 metriem.
- Pirms lietošanas veiciēt vispārēju produkta apskati. Skatiēt apkopes grafiku.
- Uz lietošanu var attiekiēt valsts vai vietējie noteikumi. Ievērojiēt norādītos noteikumus.

### Darba zonas drošība

- **Darba zonai jābūt tīrai un labi apgaismotai.** Nekārtiġās un tumšās vietās bieži notiek negadījumi.
- **Nelietojiēt elektriskos darbarīkus sprādzienbīstamā vidē, piemēram, vieġli uzliesmojošu šķidrumu, gāzu vai putekļu tuvumā.** Elektriskie darbarīki rada dzirksteles, kas var izraisīt putekļu vai izgarojumu aizdegšanos.
- **Elektriskā darbarīka lietošanas laikā neļaujiēt tuvumā atrasties bērniem un citām personām.** Uzmaniības novēšanas dēļ varat zaudēt kontroli.



## Elektrodrošība

- **Elektriskā darbarīka kontaktspraudņiem jāatbilst elektrofīkļa kontaktligzdām. Nekādā gadījumā nepārveidojiet kontaktspraudni! Ar izemētiem elektriskajiem darbarīkiem nedrīkst izmantot nekādus pārejas spraudņus.** Nepārveidotas kontaktdakšas un atbilstošas kontaktligzdas samazina strāvas triecienu risku.
- **Nepieļaujiet ķermeņa saskari ar izemētām virsmām, piemēram, caurulēm, radiatoriem, plūm un ledusskapjiem.** Ja ir izveidojies ķermeņa zemējums, pastāv paaugstināts strāvas trieciena risks.
- **Elektriskos darbarīkus nedrīkst pakļaut lietus vai mitruma iedarbībai.** Elektriskajā instrumentā iekļūvis ūdens paaugstina strāvas trieciena risku.
- **Lietojot kabeli, ievērojiet piesardzību. Nekad neizmantojiet kabeli elektriskā instrumenta pārvietošanai, vilkšanai vai atvienošanai no kontaktligzdas. Sargiet kabeli no karstuma, eļļas, asām malām un kustīgām detaļām.** Bojāti vai savijušies vadi paaugstina strāvas trieciena risku.
- **Lietojot elektrisko instrumentu ārpus telpām, izmantojiet lietošanai ārā piemērotu pagarinātāju.** Lietošanai ārā piemērota pagarinājuma vada izmantošana samazina elektriskās strāvas trieciena risku
- **Ja no elektriskā instrumenta lietošanas mitros apstākļos nevar izvairīties, izmantojiet paliekošās strāvas ierīci (residual current device — RCD).** Izmantojot RCD, tiek samazināts elektriskās strāvas trieciena risks.

## Personīgā aizsardzība

- **Lietojot elektrisko darbarīku, ievērojiet piesardzību, pārdomājiet savas darbības un rīkojieties saprātīgi.** Nelietojiet elektrisko darbarīku noguruma stāvoklī vai narkotiku, alkohola vai zāļu iespaidā. Īss neuzmanības brīdis darbā ar elektrisko instrumentu var radīt nopietnas traumas.
- **Lietojiet individuālos aizsardzības līdzekļus. Vienmēr lietojiet acu aizsargus.** Individuālo aizsardzības līdzekļu, piemēram, putekļu maskas, aizsargapavu ar neslīdošām zolēm, ķiveres vai dzirdes aizsarglīdzekļu, lietošana attiecīgos apstākļos samazina traumu gūšanas risku.
- **Nepieļaujiet nejausu ierīces ieslēgšanos. Pirms darbarīka pievienošanas strāvas avotam un/vai akumulatora blokam, pārcelšanas vai pārvietošanas pārbaudiet, vai slēdzis ir izslēgtā (OFF) stāvoklī.** Elektrisko darbarīku pārvietošana, turot pirkstu uz slēdža, vai darbarīku pieslēgšana barošanai, ja slēdzis ir ieslēgts, var izraisīt negadījumus.
- **Pirms elektriskā darbarīka ieslēgšanas noņemiet regulēšanas atslēgu vai uzgriežņu atslēgu.** Uz elektriskā darbarīka rotējošajām detaļām atstāta uzgriežņu atslēga vai atslēga var radīt traumu.
- **Nesniedzieties pārāk tālu. Vienmēr stāviet stabilī un saglabājiet līdzsvaru.** Tādējādi var labāk vadīt elektrisko darbarīku negaidītās situācijās.

- **Attiecīgi apģērbieties. Nevalkājiet vaļīgu apģērbu vai rotaslietas. Nepieļaujiet matu un apģērba saskari ar kustīgajām daļām.** Vaļīgas drēbes, rotaslietas vai gari mati var iekerties kustīgajās detaļās.
- **Ja komplektācijā ir iekļautas pievienojamas putekļu iesūkšanas ierīces un savākšanas konteineri, pārbaudiet, vai tie ir pietīprināti un tiek pareizi izmantoti.** Putekļu savākšanas līdzekļu izmantošana var samazināt ar tiem saistītos draudus.
- **Nekļūstiet nevērīgs pret darbarīka drošas izmantošanas principiem un neignorējiet tos pat tad, ja bieži izmantojat darbarīkus un esat labi iepazinies ar to darbību.** Neuzmanīgas rīcības dēļ ļoti ātri var gūt nopietnu traumu.
- **Vibrāciju emisija elektriskā instrumenta faktiskās izmantošanas laikā var atšķirties no noteiktās kopējās vērtības, kas ir atkarīgs no instrumenta lietošanas veida.** Lai pasargātu sevi, operatoriem ir jāzina, kādi drošības pasākumi ir veicami, kas noteikti, balstoties uz iedarbības novērtējumu faktiskās izmantošanas apstākļos (ņemot vērā visas darbības cikla daļas, piemēram, brīdī, kad instruments ir izslēgts, un, kad tas darbojas tukšgaitā, papildus kopā ar blokatoru).

## Elektriskā darbarīka lietošana un uzturēšana

- **Nelietojiet elektrisko darbarīku ar spēku.** Izmantojiet konkrētajam darbam piemērotu elektrisko darbarīku. Izmantojot pareizo elektrisko darbarīku ar tam paredzēto ātrumu, darbu var paveikt labāk un drošāk.
- **Nelietojiet elektrisko darbarīku, ja, nospiežot slēdzi, tas neieslēdzas vai neizslēdzas.** Elektriskais darbarīks, kuru nevar vadīt, izmantojot slēdzi, rada draudus un ir jāremontē.
- **Pirms jebkādu regulēšanas darbu veikšanas, piederumu maiņas vai elektrisko darbarīku novietošanas uzglabāšanai atvienojiet kontaktspraudni no strāvas avota un/vai izņemiet akumulatora bloku.** Šādi piesardzības pasākumi samazina nejaūšas elektriskā darbarīka palaišanas risku.
- **Novietojiet elektrisko darbarīku, kas darbojas tukšgaitā, bērnēm nepieejamā vietā un neļaujiet to lietot personām, kas nepārzina tā lietošanu vai šeit sniegtos norādījumus.** Nonākot rokās lietotājam bez atbilstošām zināšanām, elektriskie darbarīki ir bīstami.
- **Apkopiet elektriskos instrumentus un piederumus.** Pārbaudiet kustīgo detaļu salāgojumu un saķeri, bojājumus un jebkādas citus faktoros, kas var ietekmēt elektriskā darbarīka darbību. Ja darbarīks bojāts, pirms tā lietošanas veiciet remontu. Daudzu nelaimes gadījumu iemesls ir slikti uzturēti elektriskie darbarīki.
- **Griezējinstrumenti jāuztur asi un tīri.** Pareizi uzturēti griezējinstrumenti ar asiem asmeņiem retāk saliecas, un tos ir vieglāk vadīt.
- **Lietojiet elektriskos instrumentus, piederumus un asmeņus u.c. detaļas atbilstoši šeit sniegtajiem**

**norādījumiem, ņemot vērā darba apstākļus un veicamos uzdevumus.** Elektriskā instrumenta lietošana tam neparedzētiem mērķiem var radīt bīstamas situācijas.

- **Rokturiem un turēšanas virsmām ir jābūt sausām, tīrām un uz tām nedrīkst būt eļļas un smērvielas.** Slīdīgi rokturi un turēšanas virsmas traucē drošu darbarīka izmantošanu un vadību negaidītās situācijās.

## Akumulatora instrumenta lietošana un apkope

- **Uzlādei izmantojiet tikai ražotāja norādīto lādētāju.** Lādētājs, kas ir piemērots viena tipa akumulatora blokam, var kļūt ugunsbīstams, lietojot to cita veida akumulatora blokam.
- **Izmantojiet iekārtas tikai ar tām paredzētajiem akumulatoru blokiem.** Jebkura cita akumulatora bloka lietošana var radīt traumas un aizdegšanās risku.
- **Kad akumulatora bloks netiek izmantots, turiet to drošā attālumā no metāla priekšmetiem, piemēram, papīra saspaudēm, monētām, atslēgām, naglām, skrūvēm un citiem nelieliem metāla priekšmetiem, kas var savienot spaiļes.** Akumulatora spaiļu savienošana var radīt apdegumus vai aizdegšanos.
- **Nepareizi lietojot, no akumulatora var iztecēt šķidrums; izvairieties no saskares ar to. Ja nejauši notiek saskare, noskalojiet skarto vietu ar lielu daudzumu ūdens. Ja šķidrums iekļūst acīs, vērsieties pēc medicīniskās palīdzības.** No akumulatora iztecējis šķidrums var radīt kairinājumu vai apdegumus.
- **Nelietojiet akumulatoru bloku vai darbarīku, ja tas ir bojāts vai pārveidots.** Bojāts vai pārveidots akumulators var darboties neparedzami, izraisot aizdegšanās, sprādziena vai traumu gūšanas risku.
- **Nepakļaujiet akumulatoru bloku vai darbarīku uguns vai pārmērīgi augstas temperatūras ietekmei.** Uguns iedarbība vai tādas temperatūras iedarbība, kas pārsniedz 130 °C, var izraisīt sprādzienu.
- **Ņemiet vērā visus uzlādes norādījumus un neuzlādējiet akumulatoru bloku vai darbarīku temperatūrā, kas ir ārpus norādītā diapazona.** Nepareiza uzlāde vai uzlāde temperatūrā, kas ir ārpus norādītā diapazona, var bojāt akumulatoru un palielināt aizdegšanās risku.

## Apkope

- **Uzticiet elektriskā darbarīka apkopi kvalificētam remontdarbu speciālistam, kas izmanto tikai oriģinālas rezerves daļas.** Tādējādi tiks garantēta elektriskā darbarīka lietošanas drošība.
- **Nekad neveiciet bojātu akumulatoru apkopi.** Akumulatoru apkopi drīkst veikt tikai ražotājs vai pilnvarota apkopes nodrošinātājs.

## Rīkojieties saprātīgi

Ņemiet vērā, ka visas iespējamās situācijas nav iespējams aplūkot. Vienmēr esiet piesardzīgs un izmantojiet veseloumīgu saprātu. Izvairieties no situācijām,

kurās nejūtaties īsti pārliecināts par notiekošo vai veicamajām darbībām. Ja pēc šo norādījumu izlasīšanas joprojām šaubāties par notiekošo vai veicamajām darbībām, pirms turpmākas rīcības konsultējieties ar kādu ekspertu.



**BRĪDINĀJUMS:** Neļaujiet bērniem lietot šo ierīci vai uz uzturēties tās tuvumā. Tā kā iekārtu ir vienkārši iedarbināt, bērni to var nejauši iedarbināt. Tas var radīt smagu traumu. Tāpēc, ja iekārtu glabājat nomaļus, vienmēr atvienojiet akumulatoru.

## Vispārīgi drošības norādījumi



**BRĪDINĀJUMS:** Pirms izstrādājuma lietošanas izlasiet tālāk izklāstītos brīdinājumus.

- Lai novērstu izstrādājuma nejaušas iedarbināšanas risku, izņemiet akumulatoru.
- Šis izstrādājums ir bīstams instruments, ja ar to nerīkojas uzmanīgi vai ja to lieto nepareizi. Šis izstrādājums var izraisīt smagas vai nāvējošas traumas operatoram vai citām personām.
- Neizmantojiet izstrādājumu, ja tā sākotnējā specifikācija ir mainīta. Nemainiet izstrādājuma detaļas bez ražotāja apstiprinājuma. Izmantojiet tikai tādas detaļas, ko ir apstiprinājis ražotājs. Veicot nepareizu apkopi, var tikt radītas smagas vai nāvējošas traumas.
- Pirms lietošanas pārbaudiet izstrādājumu. Skatiet šeit: *Pārbaude pirms iedarbināšanas lpp. 248* un *Pirms izstrādājuma lietošanas lpp. 254*. Nelietojiet izstrādājumu, kas ir bojāts vai nedarbojas pareizi. Ievērojiet šajā rokasgrāmatā aprakstītās drošības pārbaudes, tehniskās apkopes un remonta instrukcijas.
- Pieskatiet bērnus un neļaujiet bērniem rotaļāties ar izstrādājumu. Nekādā gadījumā neļaujiet bērniem vai citām atbilstoši neapmācītām personām strādāt ar izstrādājumu, mainīt akumulatoru vai veikt tehnisko apkopi. Vietējie tiesību akti var ierobežot pieļaujamo lietotāja vecumu.
- Glabājiet izstrādājumu norobežotā vietā, lai novērstu to, ka tam var piekļūt bērni vai personas, kam tas nav atļauts.
- Glabājiet izstrādājumu bērniem nepieejamā vietā.
- Nekādā gadījumā bez ražotāja atļaujas nedrīkst mainīt šī izstrādājuma konstrukciju. Vienmēr izmantojiet oriģinālos piederumus. Neatļautas izmaiņas un/vai neatļauti piederumi var radīt smagas vai nāvējošas traumas izstrādājuma lietotājam un citiem.

**Piezīme:** Uz lietošanu var attiekties valsts vai vietējie tiesību akti. Ievērojiet norādītos noteikumus.

## Darba drošības norādījumi



**BRĪDINĀJUMS:** Pirms sākat lietot šo izstrādājumu, izlasiet tālāk izklāstītos brīdinājumus.

- **Nelietojiet ierīci sliktos laika apstākļos, jo īpaši tad, ja ir iespējams pārķona negaiss.** Tas palielina risku, ka jums varētu iespert zibens.
- **Rūpīgi pārbaudiet, vai teritorijā, kurā izmantosiet ierīci, nav savvaļas dzīvnieku.** Ierīces darbības laikā var ievainot savvaļas dzīvniekus.
- **Rūpīgi pārbaudiet zonu, kurā lietosiet ierīci, un noņemiet akmeņus, vadus, kaulus un citus svešķermeņus.** Mesti objekti var radīt nopietnas traumas.
- **Pirms ierīces vienmēr vizuāli pārbaudiet, vai pļaušanas ierīce un pļaušanas bloks nav bojāti.** Bojātas detaļas palielina traumu risku.
- **Vienmēr izmantojiet aizsargus. Aizsargiem jābūt darba kārtībā un pareizi uzstādītiem.** Valīgs, bojāts aizsargs vai tāds, kas nedarbojas pareizi, var radīt traumas.
- **Visas dzesēšanas gaisa ievades vienmēr uzturiet tīras.** Nosprostots gaisa ievads un nefūrumi var radīt pārkaršanu un aizdegšanos.
- **Vienmēr lietojiet acu aizsarglīdzekļus un dzirdes aizsarglīdzekļus.** Atbilstoši aizsarglīdzekļi var samazināt traumas.
- **Izmantojot ierīci, vienmēr uzvelciet neslidošus aizsargapavus. Nelietojiet ierīci ar plīkām kājām vai atvērtiem apaviem.** Tādējādi saskarē ar kustīgu pļaušanas ierīci, tiek samazināts kāju traumu risks.
- **Ierīces lietošanas laikā vienmēr velciet aizsargapģērbu, piemēram, bikses, kuras nosedz operatora kājas.** Saskare ar kustīgu pļaušanas ierīci vai auklu, var radīt traumas.
- **Ierīces darbības laikā nodrošiniet, ka garāmgājēji ir drošā attālumā.** Mestie gruži var izraisīt nopietnas traumas.
- **Nelietojiet ierīci augstāk par vidukli.** Tas palīdzēs izvairīties no nejaušas pļaušanas ierīces saskares ar citiem priekšmetiem, un efektīvāk vadīt ierīci neparedzētās situācijās.
- **Darbinot ierīci slapjā zālē, ievērojiet piesardzību. Ejiet, nekādā gadījumā neskrīeniet.** Tas samazina paslīdēšanas un nokrišanas risku, kas var radīt traumas.
- **Nelietojiet ierīci ļoti slīpās vietās.** Tas samazina līdzsvara zuduma, paslīdēšanas un nokrišanas risku, kas var radīt traumas.
- **Strādājot nogāzēs, vienmēr pārliecinieties par kāju novietojumu, vienmēr strādājiet šķērsām nogāzei, nekad augšup vai lejup un ievērojiet īpašu piesardzību, kad maināt virzienu.** Tas samazina līdzsvara zuduma, paslīdēšanas un nokrišanas risku, kas var radīt traumas.
- **Turiet visus strāvas vadus un kabelus tālāk no pļaušanas zonas.** Strāvas vadi vai kabeli var būt

paslēpti dzīvzoga vai krūmos, un tos var nejauši pārgriezt vai sabojāt ar auklu vai pļaušanas ierīci.

- **Turiet visas ķermeņa daļas tālāk no trimmera pļaušanas ierīces un auklas. Neatīriet ierīci no materiāliem, kamēr tā nav atvienota no strāvas padeves avota.** Kustīgā trimmera pļaušanas ierīce vai aukla var radīt nopietnas traumas.
- **Nesiet ierīci izslēgtu un attālak no ķermeņa.** Pareizs darbs ar ierīci var samazināt nejaušu saskari ar kustīgām trimmera pļaušanas ierīces vai auklas daļām.
- **Izmantojiet tikai ražotāja norādītos rezerves trimmera pļaušanas ierīces un auklas. Nemainiet trimmera pļaušanas ierīces un auklas ar metāla vadiem un asmeņiem.** Nepareizas rezerves daļas var izraisīt kontroles zudumu, lūzumus un traumas.

### Individuālie aizsarglīdzekļi



**BRĪDINĀJUMS:** Pirms sākat lietot šo izstrādājumu, izlasiet tālāk izklāstītos brīdinājumus.

- Izmantojot izstrādājumu, vienmēr lietojiet apstiprinātus individuālos aizsarglīdzekļus. Šādi līdzekļi nevar pilnībā novērst traumu gūšanas risku, taču samazina traumu smaguma pakāpi, ja negadījums tomēr notiek. Ļaujiet izplatītajam palīdzēt jums izvēlēties pareizo aprīkojumu.
- Izmantojiet apstiprinātus dzirdes aizsarglīdzekļus.

(Att. 17)

- Izmantojiet apstiprinātus acu aizsarglīdzekļus. Apstiprinātas aizsargbrilles ir jālieto arī tad, ja tiek izmantots sejsēgs. Apstiprinātas aizsargbrilles ir tādas, kas atbilst standartam ANSI Z87.1 prasībām ASV vai standartam EN 166 prasībām ES valstīs.

(Att. 18)

- Vajadzības gadījumā izmantojiet cimdus, piemēram, piestiprinot, pārbaudot vai tīrot griešanas aprīkojumu.

(Att. 19)

- Lietojiet aizsargapavus ar tērauda purngaliem un neslidošām zolēm.

(Att. 20)

- Lietojiet izturīga auduma apģērbu. Vienmēr valkājiet biezas, garas bikses un apģērbu ar garām piedurknēm. Nevalkājiet valīgu apģērbu, kas viegli var iekerties krūmos un zaros. Nevelciet dārglietas, īsas bikses un sandales. Nestaigājiet basām kājām. Sakārtojiet matus droši virs pleciem.
- Turiet tuvumā neatliekamās palīdzības aprīkojumu.

(Att. 21)

### Izstrādājuma drošības ierīces



**BRĪDINĀJUMS:** Pirms izstrādājuma lietošanas izlasiet tālāk izklāstītos brīdinājumus.

Šajā sadaļā ir izskaidrotas izstrādājuma drošības funkcijas, tā nolūks un veidi, kā tiek veikta tā pārbaude un apkope, lai garantētu izstrādājuma pareizu darbību. Skatiet norādījumus nodaļā ar virsrakstu *Levads lpp. 247* lai uzzinātu, kur izstrādājumā atrodas šīs daļas.

Šī izstrādājuma darbmūži var saīsināties un var palielināties nelaimes gadījumu risks, ja izstrādājuma apkope netiek veikta pareizi un ja apkope un/vai remonts netiek veikts profesionāli. Ja nepieciešama papildu informācija, sazinieties ar tuvāko izplatītāju, kas nodrošina apkopi.



**BRĪDINĀJUMS:** Nekādā gadījumā nelietojiet izstrādājumu ar bojātu drošības aprikojumu. Izstrādājuma drošības aprikojums ir jāpārbauda un jāuztur, pamatojoties uz šajā nodaļā izklāstīto informāciju. Ja izstrādājums neatbilst iepriekš aprakstīto pārbaudu prasībām, sazinieties ar vietējo remontdarbnieku, lai izstrādājumu saremontētu.



**IEVĒROJIET:** Izstrādājuma apkopi un remontu drīkst veikt tikai īpaši apmācīti tehniķi. Tas jo īpaši attiecas uz izstrādājuma drošības aprikojumu. Ja izstrādājums neatbilst zemāk aprakstīto pārbaudu prasībām, sazinieties ar apkopes pakalpojumu nodrošinātāju. Jebkura mūsu izstrādājuma iegāde garantē profesionāla remonta un apkopes pieejamību. Ja mazumtirgotājs, pie kura iegādājāties izstrādājumu, nav apkopi veicošs izplatītājs, uzziniet no viņa tuvākā apkopes veicēja adresi.

### Tastatūras pārbaude

1. Nospiediet un turiet nospiestu iedarbināšanas/izslēgšanas pogu (A). (Att. 22)
  - a) Izstrādājums ir ieslēgts, ja deg LED indikators (B).
  - b) Izstrādājums ir izslēgts, ja nedeg LED indikators (B).
2. Skatiet *Tastatūra lpp. 258*, ja tiek iedegts vai mirgo brīdinājuma indikators (C).

### Piedziņas mēlītes bloķētāja pārbaude

Spēka sprūda bloķētājs aizsargā pret nejaušu iedarbināšanu. Nospiežot spēka sprūda bloķētāju (A), tiek atbrīvots spēka sprūds (B). Atlaižot rokturi, spēka sprūds un spēka sprūda bloķētājs atgriežas sākuma pozīcijā. (Att. 23)

1. Pārbaudiet, vai spēka sprūds ir nobloķēts, kad spēka sprūda bloķētājs ir sākuma pozīcijā. (Att. 24)
2. Nospiediet spēka sprūdu un pārbaudiet, vai pēc atlaišanas tas atgriežas sākuma pozīcijā. (Att. 25)

3. Pārbaudiet, vai spēka sprūds un spēka sprūda bloķētājs brīvi kustas un atgriežas atspere darbojas pareizi. (Att. 26)
4. Iedarbiniet ierīci. Skatiet: *Izstrādājuma iedarbināšana lpp. 256*.
5. Palieliniet ātrumu līdz maksimālajam.
6. Atlaidiet piedziņas mēlīti un pārbaudiet, vai griešanas ierīce pilnībā apstājas.

### Griešanas ierīces aizsarga pārbaude



**BRĪDINĀJUMS:** Nelietojiet griešanas ierīci, ja tai nav pareizi uzstādīts apstiprināts griešanas ierīces aizsargs. Obligāti izmantojiet griešanas ierīci kopā ar ieteicamo griešanas ierīces aizsargu (sk. *Tehniskie dati lpp. 259*). Ja griešanas ierīces aizsargs ir uzstādīts nepareizi vai ir bojāts, pastāv nopietnas traumas risks.

Griešanas ierīces aizsargs aptur objektus, kas tiek izsviesti operatora virzienā. Griešanas ierīces aizsargs novērš arī traumas, kas rodas, pieskaroties griešanas ierīcei.

1. Apturiet motoru.
2. Visuāli pārbaudiet, vai nav bojājumu, piemēram, plaisu.
3. Ja griešanas ierīces aizsargs ir bojāts, nomainiet to.

### Pļaušanas aprikojums

Izvēlieties pareizu griešanas aprikojumu un veiciet griešanas aprikojuma apkopi, lai:

- panāktu maksimālu griešanas efektivitāti;
- palielinātu griešanas aprikojuma darbmūžu.



**BRĪDINĀJUMS:** Lietojiet griešanas aprikojumu tikai ar mūsu ieteiktajiem aizsargiem! Skatiet sadaļu *Tehniskie dati lpp. 259*. Lai pareizi uzlītu trimera auklu un izvēlētos pareizu tās diametru, skatiet griešanas palīgierīcei pievienotos norādījumus.



**BRĪDINĀJUMS:** Bojāta griešanas palīgierīce var palielināt negadījumu risku.



**BRĪDINĀJUMS:** Vienmēr apturiet dzinēju, pirms sākat apkopt griešanas palīgierīci. Tas turpina griezties pēc tam, kad atlaižat droseli. Pārliecinieties, vai griešanas palīgierīce ir pilnībā apstājusies, un pirms apkopes atvienojiet aizdedzes sveici uzgali.

## Trimera galva



**BRĪDINĀJUMS:** Obligāti pārliecinieties, vai trimera aukla ir stingri un vienmērīgi uztieta uz spoles, lai novērstu kaitīgas vibrācijas.

(Att. 27)

- Lietojiet tikai ieteiktās trimera galvas un trimera auklas.
- Lietojiet tikai ieteiktās griešanas ierīces.
- Mazāka izmēra iekārtām ir nepieciešamas mazas trimera galvas un otrādi.
- Svarīgs ir auklas garums. Garākai auklai ir nepieciešama lielāka motora jauda nekā īsai tāda paša diametra auklai.
- Pārliecinieties, vai uz trimera aizsarga piestiprinātais griezējs nav bojāts. Tas sagriež auklu pareizajā garumā.
- Pirms lietošanas uz dažām dienām iemērciet trimera auklu ūdenī, lai paildzinātu tās darbmužu.

## Akumulatora drošība



**BRĪDINĀJUMS:** Pirms izstrādājuma lietošanas izlasiet tālāk izklāstītos brīdinājumus.

- Izmantojiet tikai BLi sērijas un 40-B sērijas akumulatoru. Plašāku informāciju skatiet *Tehniskie dati lpp. 259*. Akumulatoram ir programmatūras šifrējums.
- Kā barošanas avotu izmantojiet tikai BLi sērijas un 40-B sērijas atkārtoti uzlādējamus akumulatoru saistītajiem Husqvarna izstrādājumiem. Lai nepieļautu traumu gūšanas risku, akumulatoru nedrīkst izmantot kā citu izstrādājumu strāvas avotu.
- Elektriskās strāvas trieciena risks. Nesavienojiet akumulatora spaiļes ar atslēgām, monētām, skrūvēm vai citiem metāla priekšmetiem. Tas var izraisīt akumulatora īssavienojumu.
- Nelietojiet vienreiz lietojamās baterijas.
- Neievietojiet nekādus priekšmetus akumulatora gaisa atverēs.
- Neglabājiet akumulatoru vietās, ka ir pakļautas tiešai saulesgaismai, karstumam vai atklātām liesmām. Akumulators var radīt apdegumus un/vai ķīmiskos apdegumus.
- Akumulatoru nedrīkst pakļaut lietus un mitruma ietekmei.
- Akumulatoru nedrīkst pakļaut mikroviļņu un augsta spiediena ietekmei.
- Akumulatoru nedrīkst izjaukt vai saspīest.
- Ja rodas noplūde no akumulatora, neļaujiet šķidrums saskarties ar ķermeni vai acīm. Ja pieskaraties šķidrums, nomazgājiet skarto vietu ar lielu daudzumu ūdens un ziepēm un meklējiet medicīnisko palīdzību. Ja šķidrums iekļūst acīs,

neberzējiet tās, bet vismaz 15 minūtes skalojiet ar ūdeni un meklējiet medicīnisko palīdzību.

- Akumulatoru drīkst izmantot temperatūrā no -10 °C (14 °F) līdz 40 °C (114 °F).
- Neļietiet akumulatoru un tā lādētāju ar ūdeni. Skatiet šeit: *Produkta, akumulatora un akumulatora lādētāja tīrīšana lpp. 257*.
- Nelietojiet defektīvu vai bojātu akumulatoru.
- Uzglabājiet akumulatorus vietā, kur tuvumā nav metāla priekšmetu, piemēram, naglu, skrūvju vai rotaslietu.
- Sargiet akumulatoru no bērniem.

## Akumulatora lādētāja drošības norādes



**BRĪDINĀJUMS:** Pirms izstrādājuma lietošanas izlasiet tālāk izklāstītos brīdinājumus.

- Ja drošības instrukcijas netiek ievērotas, pastāv elektriskās strāvas trieciena vai īssavienojuma risks.
- Neizmantojiet citus akumulatoru lādētājus, izņemot jūsu izstrādājumam paredzēto. Izmantojiet tikai QC80 un 40-C80 lādētājus, lai uzlādētu BLi sērijas un 40-B sērijas nomaļņus akumulatorus.
- Nemēģiniet demontēt akumulatora lādētāju.
- Nelietojiet defektīvu vai bojātu akumulatora lādētāju.
- Nevelciet akumulatora lādētāju aiz barošanas kabeļa. Lai akumulatora lādētāju atvienotu no elektrotīkla kontaktlīdždas, velciet aiz kontaktspraudņa. Nevelciet aiz barošanas kabeļa.
- Uzmanieties, lai vadi un pagarinātāji nesaskartos ar ūdeni, eļļu un asām malām. Nodrošiniet, lai kabelis netiktu iespiests starp priekšmetiem, piemēram, durvīs, nožogojumos vai līdzīgās konstrukcijās.
- Nelietojiet akumulatora lādētāju viegli uzliesmojošu materiālu vai materiālu, kas var izraisīt koroziju, tuvumā. Pārliecinieties, vai akumulatora lādētājs nav pārsegts. Ja konstatējat dūmus vai uguni, izraujiet akumulatora lādētāja kontaktspraudni.
- Uzlādējiet akumulatoru tikai tādās telpās, kur ir laba gaisa plūsma un kur akumulators nav pakļauts saules gaismas ietekmei. Neuzlādējiet akumulatoru ārpus telpām. Neuzlādējiet akumulatoru mitrumā.
- Akumulatora lādētāju izmantojiet tikai vietās, kur temperatūra ir no 5 °C (41 °F) līdz 40 °C (104 °F). Izmantojiet lādētāju labi vēdināmā un sausā vietā, kur nav putekļu.
- Neievietojiet nekādus priekšmetus akumulatora lādētāja dzesēšanas atverēs.
- Nekādā gadījumā akumulatora lādētāja spaiļes nesavienojiet ar metāla priekšmetiem, jo tas var izraisīt akumulatora lādētāja īssavienojumu.
- Izmantojiet apstiprinātas kontaktlīdždas, kas nav bojātas. Pārliecinieties, vai akumulatora lādētāja vads nav bojāts. Ja tiek izmantoti pagarinātāji, pārliecinieties, vai tie nav bojāti.

- Neizmantojiet akumulatoru lādētāju tādu akumulatoru uzlādei, kas nav atkārtoti uzlādējami.

## Norādījumi par drošu apkopi



**BRĪDINĀJUMS:** Pirms veicat produkta apkopi, izlasiet brīdinājuma norādījumus.

- Noņemiet akumulatoru, pirms veicat apkopi, citas pārbaudes vai montējat produktu.
- Operators drīkst veikt tikai šajā lietotāja rokasgrāmatā norādītos apkopes un servisa darbus. Par plašākiem apkopes un servisa darbiem sazinieties ar jūsu apkopes nodrošinātāju.

- Netīriet akumulatoru un tā lādētāju ar ūdeni. Spēcīgs mazgāšanas līdzeklis var radīt plastmasas bojājumus.
- Neveicot apkopi, samazinās produkta dzīves cikls un palielinās nelaimes gadījumu risks.
- Īpaša apmācība ir nepieciešama visiem apkopes un remontdarbiem, jo īpaši šī produkta drošības ierīcēm. Ja visas šajā lietotāja rokasgrāmatā norādītās pārbaudes netiek apstiprinātas pēc apkopes veikšanas, sazinieties ar apkopes nodrošinātāju. Mēs garantējam profesionālu remontdarbu un apkopes pieejamību jūsu produktam.
- Vienmēr izmantojiet tikai oriģinālās detaļas.

## Montāža

### Ievads



**BRĪDINĀJUMS:** Pirms izstrādājuma montāžas izlasiet un izprotiet drošības norādījumus.

### Trimera aizsarga piestiprināšana

1. Novietojiet trimmera aizsargu pret motora korpusu. (Att. 28).
2. Ievietojiet skrūvi caur motora korpusu un trimmera aizsargu. (Att. 29)
3. Pievelciet skrūvi.

### Trimera galvas uzstādīšana

1. Grieziet dzenamo vārpstu, līdz piedziņas diska atvere salāgojas ar atveri zobratu korpusā.
2. Lai fiksētu vārpstu, ievietojiet atverē aizturpatu.
3. Pagrieziet trimmera galvu pretēji pulksteņrādītāju kustības virzienam. (Att. 30)

### Cilpas roktura montāža

1. Ievietojiet skrūvi cilpveida rokturī. (Att. 31)
2. Piestipriniet cilpveida rokturi stiprinājumam uz vārpstas.
3. Pievelciet skrūves.

4. Novietojiet cilpveida rokturi pareizajā pozīcijā. Skatiet šeit: *Cilpveida roktura un teleskopiskās vārpstas regulēšana lpp. 256.*

### Lai uzstādītu augu aizsargu, rīkojieties, kā norādīts tālāk.

1. Ievietojiet augu aizsargu motora korpusa atverēs. (Att. 32)
2. Pārbaudiet, vai augu aizsargs var brīvi pārvietoties uz priekšu un atpakaļ. (Att. 33)

### Akumulatoru lādētāja (40-C80) uzstādīšana pie sienas



**IEVĒROJIET:** Neizmantojiet elektrisko skrūvgriezi akumulatoru lādētāja uzstādīšanai pie sienas. Elektrisks skrūvgriezis var izraisīt akumulatoru lādētāja bojājumus.

1. Pieskrūvējiet akumulatoru lādētāju pie sienas ar 2 skrūvēm (B). Izmantojiet dībeļus (A), ja nepieciešams. (Att. 34)
2. Atverēs ievietojiet 2 dībeļus (C).
3. Pievienojiet barošanas kabeli akumulatoru lādētājam un elektrošķīkla kontaktlīdžai.

## Lietošana

### Ievads



**BRĪDINĀJUMS:** Pirms produkta lietošanas izlasiet un izprotiet drošības norādījumus.

### Pirms izstrādājuma lietošanas

- Apskatiet darba vietu un pārliecinieties, vai pārzināt tās reljefu. Apskatiet nogāzi un pārbaudiet, vai uz tās ir šķēršļi, piemēram, akmeņi, zari un grāvji.
- Veiciet pilnīgu izstrādājuma pārbaudi.
- Veiciet drošības pārbaudes, uzturēšanu un apkopi, kas aprakstīta šajā rokasgrāmatā.

- Pārbaudiet, vai motors nav netīrs un saplaisājis. Ar birsti iztīriet motorā iekļuvušo zāli un lapas. Ja nepieciešams, izmantojiet cimdus.
- Pārbaudiet, vai trimmera galva un griešanas ierīces aizsargs nav bojāti vai ieplaisājuši. Ja trimmera galva un griešanas ierīce ir tikusi pakļauta triecienam vai ir ieplaisājusi, nomainiet to.
- Pārļiecinieties, vai visi uzgriežņi un skrūves ir stingri pievilkta.
- Pirms izstrādājuma iedarbināšanas pārļiecinieties, vai visi pārsegi, aizsargi, rokturi un griešanas aprīkojums ir pareizi piestiprināts un nav bojāts.

rokasgrāmatu un pārļiecinieties, ka izprotat to.

Glabājiet akumulatoru un akumulatoru lādētāju pareizā apkārtējās vides temperatūrā.

	Apkārtējās vides temperatūra
Akumulatora darbināšana	5–40 °C/41–104 °F
Akumulatora uzlāde	5–40 °C/41–104 °F

## Akumulators



**BRĪDINĀJUMS:** Pirms akumulatora lietošanas izlasiet un izprotiet drošības nodaļas norādījumus. Izlasiet akumulatora un akumulatora lādētāja lietošanas

## Akumulatora statuss

Displejā ir redzams uzlādes līmenis un akumulatora problēmu ziņojumi, ja pastāv problēmas.

(Att. 35)

Gaismas diodes indikators	Akumulatora stāvoklis (uzlādes stāvoklis)	
	BLI10, BLI20	40-B70, 40-B140
Deg četras gaismas diodes	NAV PIEEJAMS	Akumulators ir uzlādēts 76–100% apmērā.
Deg trīs gaismas diodes	Akumulators ir uzlādēts 76–100% apmērā.	Akumulators ir uzlādēts 51–75% apmērā.
Deg divas gaismas diodes	Akumulators ir uzlādēts 51–75% apmērā.	Akumulators ir uzlādēts 26–50% apmērā.
Deg viena gaismas diode	Akumulators ir uzlādēts 26–50% apmērā.	Akumulators ir uzlādēts 6–25% apmērā.
Mirgo viena gaismas diode	Akumulatora ir uzlādēts 0–25% apmērā.	Akumulatora ir uzlādēts 0–5% apmērā.

## Akumulatora uzlāde

Ja akumulatoru lietojat pirmo reizi, uzlādējiet to. Jauns akumulators ir uzlādēts tikai par 30%.



**IEVĒROJIET:** Pievienojiet akumulatora lādētāju kontaktligzdai, kas atbilst datu plāksnītē norādītajam spriegumam un frekvencei.

Akumulators netiks uzlādēts, ja akumulatora temperatūra pārsniedz 50 °C/122 °F.

1. Pievienojiet barošanas kabeli akumulatoru lādētājam.
2. Pieslēdziet akumulatora lādētāju iezemētai barošanas kontaktligzdai. Uzlādes gaismas diode nomirgo vienu reizi. (Att. 36)
3. Pievienojiet akumulatoru pie lādētāja. Iedegas uzlādes gaismas diode. Akumulatora uzlādes laiks nedrīkst pārsniegt 24 stundas. (Att. 37)

4. Nospiediet akumulatora indikatora pogu, ja visas gaismas diodes iedegas; akumulators ir pilnībā uzlādēts.
5. Izraujiet barošanas kabeļa kontaktspraudni, lai atvienotu akumulatora lādētāju no barošanas kontaktligzdas. Nevelciet aiz barošanas kabeļa.
6. Izņemiet akumulatoru no lādētāja.

## Akumulatoru savienošana ar produktu



**BRĪDINĀJUMS:** Izmantojiet tikai ierīces sākotnējo Husqvarna akumulatoru.

1. Uzlādējiet akumulatoru pilnībā.
2. Iebīdīet akumulatoru izstrādājuma akumulatora turētājā. Atskatot klikšķim, akumulators automātiski nofiksējas. (Att. 38)



**IEVĒROJIET:** Ja akumulators viegli neieslīd akumulatora turētājā, akumulators nav pareizi uzstādīts. Pretējā gadījumā produktu var sabojāt.

## Izstrādājuma iedarbināšana

1. Nospiediet un turiet ieslēgšanas/apturēšanas pogu, līdz iedegas zaļais LED indikators. (Att. 39)
2. Nospiediet spēka sprūda bloķētāju un spēka sprūdu. Griešanas aprīkojums sāks griezties.

## Cilpveida roktura un teleskopiskās vārpstas regulēšana

1. Atļaidiet vajīgāk fiksēšanas rokturi un novietojiet cilpveida rokturi pareizā pozīcijā. (Att. 40)
2. Bloķējiet fiksēšanas rokturi.
3. Atļaidiet vajīgāk vārpstas sviru. (Att. 41)
4. Iestatiet vajadzīgo vārpstas garumu. Pārļiecinieties, ka redzat trijstūri uz vārpstas. (Att. 42)
5. Nolaidiet sviru un pievelciet skrūves.

**Piezīme:** Nepieskarieties cilpas rokturim uz vārpstas brīdinājuma uzlīmēm.

## SavE funkcijas izmantošana

Šim izstrādājumam ir enerģijas taupīšanas funkcija SavE.

**Piezīme:** Funkcija SavE nesamazina izstrādājuma griešanas jaudu.

1. Nospiediet tastatūras pogu SavE.
2. Pārļiecinieties, vai iedegas zaļais LED indikators.
3. Nospiediet pogu SavE vēlreiz, lai funkciju izslēgtu. Zaļais LED indikators nodziest. (Att. 43)

## Automātiskās izslēgšanas funkcija

Izstrādājumam ir izslēgšanas funkcija, kas aptur izstrādājumu, ja tas netiek izmantots. Zaļā gaismas diode ar ieslēgšanas/apturēšanas norādi nodziest, un izstrādājuma darbība tiek apturēta pēc 180 sekundēm.

## Izstrādājuma darbināšana

### Zāles apgriešana

1. Turiet trimera galvu slīpi tieši virs zemes. Nespiediet trimera auklu tieši zālē. (Att. 44)
2. Saīsiniet trimera auklu par 10–12 cm/4–4,75 collām.

3. Samaziniet dzinēja apgriezienu skaitu, lai samazinātu augiem nodarīta kaitējuma risku.
4. Veicot griešanu objektu tuvumā, izmantojiet 80% jaudas. (Att. 45)

### Zāles iztīrīšana

1. Turiet trimera galvu virs zemes līmeņa.
2. Sasveriet trimera galvu.
3. Apgrieziet ar trimera auklas galu apkārt darba zonā esošajiem objektiem.



**IEVĒROJIET:** Apgrieziet zāli. Citi objekti, kurus aizskar trimera aukla, palielina trimera auklas nodilumu.

### Zāles griešana

1. Veicot zāles griešanu, trimera auklai jābūt paralēli zemei. (Att. 46)
2. Nespiediet trimera galvu pret zemi. Pretējā gadījumā izstrādājums var tikt bojāts.
3. Griežot zāli, virziet izstrādājumu horizontālā virzienā no vienas puses uz otru. Izmantojiet maksimālo ātrumu. (Att. 47)

### Zāles aizslaucīšana

Gaisa plūsmu no rotējošās trimmera auklas rav izmantot, lai aizvāktu zāli no teritorijas.

1. Turiet trimmera galvu un trimmera auklu paralēli zemei un virs zemes.
2. Pilnībā izmantojiet droseli.
3. Virziet trimmera galvu no vienas puses uz otru un aizslaukiet zāli.



**BRĪDINĀJUMS:** Notīriet trimmera galvas pārsegu katru reizi, kad piestiprināt jaunu trimmera auklu, lai novērstu līdzsvara trūkumu un vibrāciju rokturos. Pārbaudiet arī pārējās trimmera galvas daļas un vajadzības gadījumā tās notīriet.

## Lai apturētu ierīci

1. Atļaidiet spēka sprūdu vai spēka sprūda bloķētāju.
2. Nospiediet un turiet iedarbināšanas/izslēgšanas pogu, līdz nodziest zaļais LED indikators.
3. Nospiediet atlaišanas pogas uz akumulatora un izņemiet akumulatoru no izstrādājuma. (Att. 48)

## Trimera auklas nomaīņa

Skatiet pēdējo lappusi šajā lietošanas rokasgrāmatā.



## Apkope

### Ievads



**BRĪDINĀJUMS:** Pirms ķēdes zāga apkopes veikšanas izlasiet un izprotiet sadaļu par drošības pasākumiem.

### Apkopes grafiks



**BRĪDINĀJUMS:** Pirms veicat apkopi, izņemiet akumulatoru.

Tālāk ir redzams produkta apkopes darbību saraksts. Plašāku informāciju skatiet šeit: *Apkope lpp. 257.*

Apkope	Katru dienu	Reizi nedēļā	Reizi mēnesī
Tīriet izstrādājuma ārējās daļas ar sausu drānu. Neizmantojiet ūdeni.	X		
Pārļiecinieties, vai iedarbināšanas/apturēšanas poga darbojas pareizi un nav bojāts.	X		
Pārbaudiet, vai spēka sprūds un spēka sprūda bloķēšanas funkcija darbojas pareizi un atbilstoši drošības noteikumiem.	X		
Pārļiecinieties, ka visas vadības ierīces darbojas un nav bojātas.	X		
Rokturiem jābūt sausiem un tīriem no smērvielām un eļļas.	X		
Pārļiecinieties, vai griešanas ierīce nav bojāta. Ja griešanas ierīce ir bojāta, nomainiet to.	X		
Pārbaudiet, vai griešanas ierīces aizsargs nav bojāts. Ja griešanas ierīces aizsargs ir bojāts, nomainiet to.	X		
Pārļiecinieties, vai skrūves un uzgriežņi ir stingri pievilkti.	X		
Pārbaudiet, vai darbojas akumulatora atbrīvošanas pogas un vai tās fiksē vietā izstrādājuma akumulatoru.	X		
Pārbaudiet, vai akumulatora lādētājs nav bojāts un darbojas pareizi.	X		
Pārļiecinieties, vai akumulators nav bojāts.	X		
Pārļiecinieties, vai akumulators ir uzlādēts.	X		
Pārļiecinieties, vai akumulatora lādētājs nav bojāts.	X		
Pārbaudiet visus kabeļus un savienojumus. Pārļiecinieties, vai tie nav bojāti un netīri.		X	
Pārbaudiet savienojumus starp akumulatoru un izstrādājumu. Pārbaudiet savienojumu starp akumulatoru un akumulatora lādētāju.			X

### Akumulatora un akumulatora lādētāja pārbaude

1. Pārbaudiet, vai akumulators nav bojāts, piemēram, vai tajā nav plaisu.
2. Pārbaudiet, vai akumulatora lādētājs nav bojāts, piemēram, vai tajā nav plaisu.
3. Pārļiecinieties, vai akumulatora lādētāja savienojuma vads nav bojāts un vai tajā nav plaisu.

### Produkta, akumulatora un akumulatora lādētāja tīrīšana

1. Pēc lietošanas tīriet produktu ar sausu drānu.
2. Tīriet akumulatoru un akumulatora lādētāju ar sausu drānu. Akumulatora vadotnes sliedēm ir vienmēr jābūt tīrām.
3. Pārļiecinieties, vai akumulatora un akumulatora lādētāja spaiļi ir tīras, pirms akumulators tiek ievietots akumulatora lādētājā vai produktā.

## Trimera galvas pārbaude un nomaiņa

1. Pārbaudiet, vai trimera galva nav bojāta vai ielaisījusi.
2. Izvelciet trimera auklas kanāla bloku.
3. Noņemiet trimera galvu. (Att. 49)
4. Nomainiet trimera galvu.
5. Uzlieciet atpakaļ trimera galvu. Skatiet: *Trimera galvas uzstādīšana lpp. 254.*

## Problēmu novēršana

### Tastatūra

LED ekrāns	Iespējamās kļūmes	Iespējamie risinājumi
Mirgo kļūdu LED indikators.	Pārslodze	Griešanas ierīce nevar brīvi kustēties. Atbrīvojiet griešanas ierīci.
	Temperatūras nobīde	Ļaujiet produktam atdzist.
Izstrādājums nesāk darboties.	Vienlaikus nospiediet spēka sprūdu un iedarbināšanas pogu.	Atļaidiet spēka sprūdu un apturiet izstrādājumu.
Kļūdu LED indikators iedegas sarkanā krāsā.	Ir nepieciešams veikt izstrādājuma apkopi	Sazinieties ar apkopes sniedzēju.

### Akumulators

LED indikatoru displejs	Iespējamās kļūmes	Iespējamā rīcība
LED indikators mirgo zaļā krāsā	Akumulators izlādējies.	Uzlādējiet akumulatoru.
Mirgo kļūdu LED indikators.	Temperatūras nobīde.	Akumulatoru drīkst izmantot temperatūrā no -10°C (14°F) līdz 40°C (104°F).
	Pārāk liels spriegums.	Pārbaudiet, vai tīkla spriegums atbilst tam, kas norādīts uz izstrādājuma datu plāksnītes. Izņemiet akumulatoru no lādētāja.
Deg kļūdu LED indikators.	Pārāk liela elementu atšķirība (1 V).	Sazinieties ar vietējo apkopes sniedzēju.

### Akumulatora lādētājs

Problēma	Iespējamās kļūmes	Iespējamais risinājums
Uzlādes gaismas diode deg sarkanā krāsā.	Pastāvīga akumulatora lādētāja kļūda.	Sazinieties ar izplatītāju.
Uzlādes gaismas diode mirgo zaļā krāsā.	Temperatūras nobīde, akumulators ir pārāk auksts vai pārāk karsts, lai to lietotu vai uzlādētu.	Ļaujiet akumulatoram atdzist vai sasilt. Kad akumulators ir sasniedzis pareizo temperatūru, to var atkal lietot vai uzlādēt. Izmantojiet akumulatora lādētāju vides temperatūras diapazonā no 5 °C (41 °F) līdz 40 °C (104 °F).

Problēma	Iespējamās kļūmes	Iespējamais risinājums
Uzlādes gaismas diode mirgo sarkanā krāsā.	Bojāts akumulators.	Sazinieties ar izplatītāju.

## Pārvadāšana, glabāšana un utilizēšana

### Pārvadāšana un uzglabāšana

- Komplektācijā iekļautie litija jonu akumulatori atbilst bīstamo preču normatīvo aktu prasībām.
- Ievērojiet īpašās prasības, kas sniegtas uz iepakojuma un uzlīmēm attiecībā uz komerciālu transportēšanu, kā arī trešo pušu un sūtīšanas agentu prasības.
- Pirms nosūtāt izstrādājumu, konsultējieties ar bīstamo preču apstrādes speciālistu. Ievērojiet visus spēkā esošos valsts likumus.
- Kad ievietojat akumulatoru iepakojumā, atvērtiem kontaktiem pievienojiet līmlenti. Ievietojiet akumulatoru iepakojumā cieši, lai novērstu kustēšanos.
- Transportēšanas vai glabāšanas nolūkos izņemiet akumulatoru.
- Novietojiet akumulatoru un akumulatora lādētāju sausā vietā, kuru neietekmē mitrums un sals.
- Neglabājiet akumulatoru vietās, kur var rasties statiskā elektrība. Neglabājiet akumulatoru metāla kārbā.
- Novietojiet akumulatoru glabāšanai vietā, kur temperatūra ir diapazonā no 5 °C/41 °F līdz 25 °C/77 °F un ko neskar tieša saules gaisma.
- Novietojiet lādētāju glabāšanai vietā, kur temperatūra ir diapazonā no 5 °C/41 °F līdz 45 °C/113 °F un ko neskar tieša saules gaisma.
- Izmantojiet akumulatoru lādētāju tikai tad, ja apkārtējā temperatūra ir diapazonā no 5 °C/41 °F līdz 40 °C/104 °F.

- Pirms akumulatoru novietošanai ilgstošai uzglabāšanai, uzlādējiet to par 30–50%.
- Novietojiet akumulatora lādētāju slēgtā un sausā vietā.
- Uzglabāšanas laikā neturiet akumulatoru lādētāja tuvumā. Neļaujiet bērniem un citām nesankcionētām personām pieskarties aprīkojumam. Glabājiet aprīkojumu slēdzamā vietā.
- Notīriet izstrādājumu un veiciet pilnu apkopi, pirms novietojat to ilgstošai glabāšanai.
- Izmantojiet transportēšanas aizsargu uz izstrādājuma, lai novērstu traumas vai izstrādājuma bojājumus transportēšanas vai glabāšanas laikā.
- Transportēšanas laikā droši nostipriniet izstrādājumu.

### Akumulatora, lādētāja un produkta likvidācija

Simboli uz izstrādājuma vai tā iepakojuma norāda, ka šis izstrādājums nav sadzīves atkritums. Utilizējiet to elektrisko un elektronisko ierīču pārstrādes uzņēmumā. Tādējādi tiek samazināta kaitīgā ietekme uz vidi un cilvēkiem.

Lai saņemtu papildinformāciju par izstrādājuma pārstrādi, sazinieties ar vietējām iestādēm, māsasaimniecības atkritumu savākšanas pakalpojumu sniedzēju vai izplatītāju.

## Tehniskie dati

### Tehniskie dati

	<b>215iL</b>
<b>Motors</b>	
Motora tips	BLDC
Izvades vārpstas ātrums, apgr./min	6800
Pļaušanas platums, cm	310
<b>Svars</b>	

	<b>215iL</b>
Svars bez akumulatora, kg	2,9
<b>Trokšņa emisija</b> <sup>46</sup>	
Skaņas jaudas līmenis, izmērītais dB (A)	90,5
Skaņas jaudas līmenis, garantētais L <sub>WA</sub> dB (A)	92
<b>Trokšņa līmeņi</b> <sup>47</sup>	
Ekvivalents skaņas spiediena līmenis pie operatora auss, mērīts atbilstoši standartam EN ISO 50636-2-91, dB (A):	74,9
<b>Vibrācijas līmeņi</b> <sup>48</sup>	
Vibrācijas līmeņi pie rokturiem, mērīti atbilstoši standartam EN50636-2-91, m/s <sup>2</sup>	4,5/2,7
Aprīkojumā iekļauta priekšējā/aizmugurējā trimmera galva (oriģinālā).	

### Izstrādājumam apstiprinātie akumulatori

Akumulators	BLi10		BLi20		40-B70	40-B140
Tips	Litija jonu		Litija jonu		Litija jonu	Litija jonu
Akumulatora ietilpība, Ah	Skatiet akumulatora datu uzlīmi		Skatiet akumulatora datu uzlīmi		Skatiet akumulatora datu uzlīmi	Skatiet akumulatora datu uzlīmi
Nominālais spriegums, V	36	36,5	36	36,5	36	36
Svars, mārciņas/kg	0,7	0,7	1,2	1,2	0,8	1,25

### Izstrādājumam apstiprinātie akumulatora lādētāji

Akumulatora lādētājs	QC80	40-C80
Elektrotīkla spriegums, V	100-240	100-240
Frekvence, Hz	50-60	50-60
Jauda, W	100	72
Izvades spriegums, V d.c./ ampēri, A	36/2	43/1,6

<sup>46</sup> Atbilstoši EK direktīvai 2000/14/EK trokšņa emisija apkārtņē ir mērīta kā akustiskā jauda (L<sub>WA</sub>). Atšķirība starp garantēto un izmērīto skaņas jaudas līmeni ir tāda, ka garantētā skaņas intensitātes līmeņa mērījumu rezultāts ietver arī izkliedi mērījuma rezultātā un atšķirības dažādiem tā paša modeļa izstrādājumiem atbilstoši Direktīvai 2000/14/EK.

<sup>47</sup> Sniegtajos datos par ekvivalenta skaņas spiediena līmeni ierīcei ir tipiska statistiskā 2,5 dB (A) izkliede (standartnovirze).

<sup>48</sup> Sniegtajos datos par vibrācijas līmeni tipiska statistiskā izkliede ir 1,5 m/s<sup>2</sup> (standarta novirze).

---

## Piederumi

---

### Apstiprinātie piederumi

Apstiprinātie piederumi	Tips	Griešanas aprīkojuma aizsargaprīkojums, Art. nr.
Trimmera galva	R25B (Ø 2 mm aukla)	529 96 69-01

# Atbilstības deklarācija

## ES atbilstības deklarācija

Mēs, **Husqvarna AB**, SE-561 82 Huskvarna, Zviedrija, tālr. +46-36-146500, ar pilnu atbildību apliecinām, ka šis izstrādājums:

<b>Apraksts</b>	Zāles trimeris ar akumulatoru
<b>Zīmols</b>	Husqvarna
<b>Tips/modelis</b>	215iL
<b>Identifikācija</b>	Sākot ar sērijas numuriem 2024

pilnībā atbilst šādām ES direktīvām un noteikumiem:

Direktīva/regula	Apraksts
2006/42/EK	"par mehānismiem"
2014/30/ES	"par elektromagnētisko savietojamību"
2000/14/EK	"par trokšņa emisiju vidē"
2011/65/ES	"par dažu bīstamu vielu izmantošanas ierobežošanu elektriskās un elektroniskās iekārtās"

un ir ievēroti zemāk norādītie saskaņotie standarti un/vai tehniskie dati: EN 60335-1:2012/A15:2021, EN 50636-2-91:2014, EN IEC 63000:2018, EN IEC 55014-1:2021; EN IEC 55014-2:2021.

Pilnvarotā iestāde: 0197 TÜV Rheinland LGA Products GmbH, Tillystraße 2, 90431 Nürnberg, Germany ir apstiprinājusi atbilstību Eiropas Padomes direktīvai 2000/14/EK, atbilstības izvērtēšanas kārtībai: VI pielikums.

Informāciju par trokšņa emisiju skatiet šeit: *Tehniskie dati lpp. 259.*

Huskvarna, 2024-02-01



Claes Losdal, izpētes un attīstības nodaļas vadītājs,  
Husqvarna AB

Atbildīgais par tehnisko dokumentāciju



## Inhoud

Inleiding.....	263	Vervoer, opslag en verwerking.....	275
Veiligheid.....	264	Technische gegevens.....	276
Montage.....	271	Accessoires.....	277
Werking.....	271	Verklaring van overeenstemming.....	278
Onderhoud.....	273	Bijlage .....	454
Probleemoplossing.....	274		

---

## Inleiding

---

### Productbeschrijving

Husqvarna 215iL is een grasmaaier met accu en een elektromotor.

Er wordt voortdurend gewerkt aan het verhogen van uw veiligheid en efficiëntie tijdens bedrijf. Neem voor meer informatie contact op met uw servicedealer.

### Beoogd gebruik

Het product wordt gebruikt met niet-metalen trimmerdraden, niet-metalen snaren of gelijkwaardige

niet-metalen flexibele snij-elementen. Gebruik het product niet voor andere taken dan voor het maaien van onkruid, gras of soortgelijke zachte begroeiing.

---

**Let op:** Nationale wetgeving kan het gebruik van dit product mogelijk beperken.

---

### Productoverzicht

(Fig. 1)

1. Trimmerkop
2. Beschermkap voor snijtrusting
3. Steel
4. Afstelling steel (telescoop)
5. Lushgreep
6. Toetsenbord
7. Waarschuwinglampje toetsenbord
8. Start/stop-knop
9. SavE-knop
10. Voedingsschakelaar
11. Vergrendeling voedingsschakelaar
12. Spannings- en waarschuwinglampje
13. Connector
14. Acculader 40-C80
15. Acculader QC80
16. Snoer
17. Plantbeschermer
18. Waarschuwinglampje accu
19. Accustatus
20. Accu-indicatiemknop
21. Accuontgrendelknoppen
22. Accu
23. Combinatietang
24. Bedieningshandleiding

(Fig. 5) Stel het product niet bloot aan regen.

(Fig. 6) Label met geluidsemissies naar de omgeving conform de richtlijnen en voorschriften van de EU (inclusief de wetgeving van Nieuw-Zuid-Wales) en het VK. De geluidsemissiegegevens vindt u op het machinelabel en in het hoofdstuk Technische gegevens.

(Fig. 7) Houd omstanders uit de buurt van het product.

(Fig. 8) Koppel de accu los voorafgaand aan het onderhoud.

(Fig. 9) Het product of de verpakking ervan is geen huishoudelijk afval. Lever het in bij een recyclepunt voor elektrische en elektronische apparatuur.

(Fig. 10) Het product voldoet aan de geldende EU-richtlijnen.

(Fig. 11) Het product voldoet aan de geldende VK-regelgeving.

(Fig. 12) Gelijkstroom.

### Symbolen op het product

(Fig. 2) **WAARSCHUWING:** Dit product kan gevaarlijk zijn en ernstig of fataal letsel toebrengen aan de gebruiker of anderen. Wees voorzichtig en gebruik het product op de juiste manier.

(Fig. 3) Lees de bedieningshandleiding zorgvuldig door en zorg dat u de instructies hebt begrepen voordat u het product gebruikt.

(Fig. 4) Gebruik oogbescherming.

yyyywwxxxx

Het serienummer staat op het productplaatje of de laserafdruk. **yyyy** is het productiejaar en **ww** is de productieweek.

## Symbolen op de accu en/of op de accuhouder.

- (Fig. 16) Lever dit product in bij een recyclepunt voor elektrische en elektronische apparatuur. (Alleen geldig voor Europa)
- (Fig. 13) Faalveilige transformator.
- (Fig. 14) Bewaar en gebruik de acculader alleen binnen.
- (Fig. 15) Dubbele isolatie.

## Schade aan het product

We zijn niet verantwoordelijk voor schade aan ons product als:

- het product niet goed is gerepareerd.
- het product is gerepareerd met onderdelen die niet van de fabrikant afkomstig zijn, of onderdelen die niet zijn goedgekeurd door de fabrikant.
- het product een accessoire bevat dat niet afkomstig is van de fabrikant of niet is goedgekeurd door de fabrikant.
- het product niet is gerepareerd door een erkend servicepunt of door een erkende autoriteit.

---

## Veiligheid

---

### Veiligheidsdefinities

Waarschuwingen, voorzorgsmaatregelen en opmerkingen worden gebruikt om te wijzen op belangrijke delen van de handleiding.



**WAARSCHUWING:** Wordt gebruikt om te wijzen op de kans op ernstig of fataal letsel voor de gebruiker of omstanders wanneer de instructies in de handleiding niet worden gevolgd.



**OPGELET:** Wordt gebruikt indien er een risico bestaat op schade aan het product en andere eigendommen of aan de omgeving wanneer de instructies in de handleiding niet worden gevolgd.

**Let op:** Geven verdere informatie die nodig is in een bepaalde situatie.

### Algemene veiligheidswaarschuwingen voor elektrisch gereedschap



**WAARSCHUWING:** Lees alle veiligheidswaarschuwingen en alle instructies. Het niet opvolgen van de waarschuwingen en instructies kan leiden tot elektrische schokken, brand en/of ernstig letsel.

**Let op: Bewaar alle waarschuwingen en instructies voor later gebruik.** De term "elektrisch gereedschap" in de waarschuwingen verwijst zowel naar gereedschappen die op het lichtnet (met snoer) werken als gereedschappen die met een accu (snoerloos) werken.

### Controle voor het starten

- Verwijder altijd de accu om onbedoeld starten van het product te voorkomen. Verwijder altijd de accu voordat u onderhoudswerkzaamheden aan het product uitvoert.
- Controleer het product voor gebruik en na vallen of stoten op tekenen van slijtage of beschadiging en repareer indien nodig.
- Controleer het werkgebied. Verwijder alle losse voorwerpen, zoals stenen, stukjes glas, spijkers, ijzerdraad, touw en dergelijke, die weggeslingerd kunnen worden of vast kunnen komen zitten in de maaier of beschermkap.
- Controleer de motor op vuil en barsten. Gebruik een borstel om de motor te ontdoen van gras en bladeren. Draag handschoenen indien nodig.
- Controleer of de trimmerkop volledig op de trimmer is bevestigd.
- Controleer of het product in goede staat is. Controleer of alle moeren en bouten goed vastgedraaid zijn.
- Controleer de trimmerkop en de trimmerbeschermer op beschadigingen en barsten. Vervang de trimmerkop of de trimmerbeschermer indien deze zijn blootgesteld aan slagbelasting of barsten vertonen. Gebruik altijd de aanbevolen beschermer voor die specifieke snijuitrusting. Zie het hoofdstuk Technische gegevens.
- De gebruiker van het product moet erop toezien dat er tijdens het werk geen mensen of dieren dichterbij 15 meter bij het product komen. Indien meerdere gebruikers in hetzelfde gebied werken, moet de veiligheidsafstand minimaal 15 meter bedragen.
- Voer voor gebruik een algemene inspectie van het product uit. Zie het onderhoudsschema.
- Mogelijk zijn landelijke of lokale wettelijke voorschriften van toepassing op het gebruik. Volg de eventuele voorschriften op.



## Veiligheid van het werkgebied

- **Zorg ervoor dat de werkplek schoon en goed verlicht is.** In rommelige of donkere gebieden gebeuren eerder ongelukken.
- **Gebruik elektrisch gereedschap niet in een omgeving waar ontploffingsgevaar bestaat, zoals in de buurt van brandbare vloeistoffen, gassen of stof.** Elektrische apparaten creëren vonken waardoor het stof of de dampen kunnen ontbranden.
- **Houd kinderen en omstanders op afstand wanneer u elektrisch gereedschap gebruikt.** U kunt de controle over het apparaat verliezen als u afgeleid wordt.

## Elektrische veiligheid

- **Elektrisch gereedschap moet geschikt zijn voor het betreffende stopcontact. Wijzig nooit de stekker. Gebruik nooit een adapterstekker in combinatie met geaarde elektrische gereedschappen.** Ongewijzigde stekkers en overeenkomende stopcontacten verkleinen het risico op elektrische schokken.
- **Vermijd lichamelijk contact met geaarde oppervlakken, zoals buizen, radiatoren, fornuizen en koelkasten.** Er is een verhoogd risico op elektrische schokken als uw lichaam geaard is.
- **Stel elektrische gereedschappen niet bloot aan regen of vochtige omstandigheden.** Water dat in elektrisch gereedschap binnendringt, verhoogt het risico op elektrische schokken.
- **Gebruik de kabel niet voor oneigenlijke doeleinden. Gebruik de kabel nooit om het elektrische apparaat te dragen, het mee te slepen of om de stekker uit het stopcontact te trekken. Houd de kabel uit de buurt van warmte, olie, scherpe randen en bewegende onderdelen.** Beschadigde of in de knoop geraakte kabels verhogen het risico op elektrische schokken.
- **Gebruik een verlengkabel die geschikt is voor gebruik buitenshuis wanneer u buiten werkt met elektrisch gereedschap.** Het gebruik van een kabel die geschikt is voor gebruik buitenshuis, vermindert het risico op elektrische schokken.
- **Als gebruik van een elektrisch apparaat in een vochtige omgeving onvermijdelijk is, gebruik dan een netvoeding met reststroombescherming (RCD).** Het gebruik van een aardlekschakelaar vermindert het risico op elektrische schokken.

## Persoonlijke veiligheid

- **Wees altijd alert, kijk wat u doet en gebruik uw gezonde verstand wanneer u elektrisch gereedschap gebruikt. Gebruik elektrisch gereedschap niet als u moe bent of onder invloed bent van drugs, alcohol of medicijnen.** Een moment van onoplettendheid tijdens het gebruik van elektrische apparaten kan leiden tot ernstig persoonlijk letsel.
- **Maak altijd gebruik van persoonlijke beschermingsmiddelen. Draag altijd oogbescherming.** Beschermingsmiddelen zoals een stofmasker, veiligheidsschoenen met antislipprofiel,

een veiligheidshelm of gehoorbescherming in relevante werkomstandigheden beperken letsel.

- **Voorkom een onbedoelde start. Zorg ervoor dat de schakelaar in de uit-positie staat voordat u het gereedschap aansluit op een spanningsbron en/of accu, oppakt of draagt.** Het dragen van elektrische apparaten met uw vinger op de schakelaar of het onder spanning zetten van elektrische apparaten waarvan de schakelaar op aan staat, kan makkelijk leiden tot ongelukken.
- **Verwijder eventuele (instel)sleutels voordat u het elektrisch gereedschap inschakelt.** Een sleutel die is bevestigd aan een draaiend onderdeel van het elektrische gereedschap kan persoonlijk letsel tot gevolg hebben.
- **Voorkom overstrekken. Zorg dat u te allen tijde stevig en in balans staat.** Hierdoor heeft u een betere controle over het apparaat in onverwachte situaties.
- **Draag geschikte kleding. Draag geen losse kleding of sieraden. Houd uw haar en kleding uit de buurt van bewegende onderdelen.** Losse kleding, sieraden of lang haar kunnen verstrikt raken in bewegende onderdelen.
- **Als de mogelijkheid bestaat voor het opvangen van stof moet u ervoor zorgen dat deze is aangesloten en op de juiste wijze wordt gebruikt.** Het gebruik van stofopvang kan stofgerelateerde gevaren beperken.
- **Laat de vertrouwdeheid met de deur u gebruikte apparaten door het frequente gebruik ervan niet toe leiden dat u de veiligheidsprincipes negeert.** Een onzorgvuldige handeling kan binnen een fractie van een seconde leiden tot ernstig letsel.
- De trillingsemissie tijdens het feitelijke gebruik van de machine kan afwijken van de opgegeven totaalwaarde en is afhankelijk van de manier waarop het gereedschap wordt gebruikt. Om zichzelf te beschermen, moeten gebruikers de nodige veiligheidsmaatregelen nemen op basis van een schatting van de blootstelling in de feitelijke gebruiksomstandigheden. Hierbij moet rekening worden gehouden met alle elementen van de bedrijfscyclus, dus niet alleen de tijd dat het gereedschap actief wordt gebruikt, maar ook de tijd dat het gereedschap is uitgeschakeld of stationair draait.

## Gebruik en verzorging van elektrische apparaten

- **Gebruik elektrische gereedschap niet voor taken waarvoor het niet geschikt is. Gebruik het juiste elektrische apparaat voor uw toepassing.** Met het juiste elektrische apparaat kunt u de taak beter en veiliger uitvoeren met de snelheid waarvoor het is ontworpen.
- **Gebruik het elektrisch gereedschap niet als de aan/uitschakelaar niet werkt.** Elektrische apparaten die niet bediend kunnen worden met de schakelaar zijn gevaarlijk en moeten gerepareerd worden.

- **Haal de stekker uit het stopcontact en/of verwijder het accupack (indien verwijderbaar) van het elektrische gereedschap voordat u aanpassingen maakt, accessoires verwisselt of het elektrische gereedschap opbergt.** Deze voorzorgsmaatregelen verkleinen het risico op het per ongeluk starten van het elektrische apparaat.
- **Berg elektrisch gereedschap dat u niet nodig hebt op buiten het bereik van kinderen en laat personen die onbekend zijn met het elektrisch gereedschap of deze instructies niet werken met het elektrisch gereedschap.** Elektrische apparaten zijn gevaarlijk in handen van ongetrainde gebruikers.
- **Zorg voor een deugdelijk onderhoud van elektrische gereedschappen en accessoires. Controleer op onjuiste montage of vastlopen van bewegende delen, gebroken onderdelen en andere condities die de werking van het elektrische gereedschap kunnen beïnvloeden. Als het elektrische apparaat beschadigd is, moet u het laten repareren voordat u het gebruikt.** Veel ongelukken worden veroorzaakt door slecht onderhouden elektrische apparaten.
- **Houd snijgereedschappen scherp en schoon.** Goed onderhouden snijgereedschappen met scherpe snijranden zullen minder gauw vastlopen en zijn eenvoudiger onder controle te houden.
- **Gebruik het elektrisch gereedschap, de accessoires, gereedschapsbits en dergelijke in overeenstemming met deze instructies en houd hierbij rekening met de werkomstandigheden en het type kius dat moet worden uitgevoerd.** Als u het elektrische apparaat voor andere toepassingen gebruikt dan waarvoor het is bedoeld, kan er een gevaarlijke situatie ontstaan.
- **Houd de handgrepen en grijppoppervlakken droog, schoon en vrij van olie en vet.** Als handgrepen en grijppoppervlakken glad zijn, kan dit ervoor zorgen dat het gereedschap in onverwachte situaties niet veilig kan worden gehanteerd en bediend.

### Gebruik en onderhoud van gereedschap met accu

- **Laad het gereedschap alleen op met de lader die door de fabrikant is gespecificeerd.** Een lader die voor een bepaald type accu geschikt is, kan een risico op brand creëren als de lader met een andere accu wordt gebruikt.
- **Gebruik producten enkel met de specifiek hiervoor bedoelde accupacks.** Als er andere accupacks worden gebruikt, bestaat er risico op letsel en brand.
- **Als het accupack niet gebruikt wordt, houd hem dan uit de buurt van andere metalen voorwerpen, zoals paperclips, munten, sleutels, spijkers, schroeven of andere kleine metalen voorwerpen die een verbinding tussen de twee klemmen kunnen maken.** Als er kortsluiting tussen de accuaansluitingen ontstaat, kunnen er brandwonden of brand ontstaan.
- **Als het accupack verkeerd wordt gebruikt, kan er vloeistof uit de accu komen; zorg dat u deze niet aanraakt. Als u per ongeluk in contact komt met de vloeistof, afspoelen met water. Als er vloeistof**

**in de ogen komt dient u medische hulp in te roepen.** Vloeistof die uit de accu komt kan irritatie of brandwonden veroorzaken.

- **Gebruik geen accupack of product dat beschadigd of gewijzigd is.** Beschadigde of aangepaste accu's kunnen onvoorspelbaar gedrag vertonen, wat kan leiden tot brand, explosies of letsel.
- **Stel het accupack of product niet bloot aan vuur of hoge temperaturen.** Blootstelling aan vuur of temperaturen hoger dan 130 °C kan een explosie veroorzaken.
- **Volg alle oplaadinstructies op en laad de accu of het product niet op bij temperaturen die buiten het in de instructies gespecificeerde bereik vallen.** Door onjuist opladen of opladen bij temperaturen die buiten het gespecificeerde bereik liggen, kan de accu beschadigd raken en neemt het risico op brand toe.

### Service

- **Laat uw elektrische apparaat repareren door een gekwalificeerde monteur en gebruik uitsluitend identieke vervangingsonderdelen.** Dit zorgt ervoor dat de veiligheid van het elektrisch gereedschap wordt gehandhaafd.
- **Voer nooit onderhoud uit aan beschadigde accupacks.** Onderhoud aan accupacks mag alleen worden uitgevoerd door de fabrikant of geautoriseerde dienstverleners.

### Gebruik altijd uw gezond verstand

Het is niet mogelijk om elke mogelijke situatie te vermelden. Wees altijd voorzichtig en gebruik uw gezond verstand. Vermijd situaties die uw capaciteiten te boven gaan. Als u na het lezen van deze instructies nog vragen hebt over de bedieningsprocedures dient u een expert te raadplegen voordat u verder gaat.



**WAARSCHUWING:** Sta nooit toe dat kinderen de machine gebruiken of in de buurt van de machine komen. De machine start gemakkelijk, zodat kinderen deze mogelijk kunnen starten wanneer ze niet onder volledig toezicht staan. In dat geval kan er een risico op ernstig persoonlijk letsel bestaan. Koppel de accu daarom los wanneer de machine niet onder streng toezicht staat.

### Algemene veiligheidsinstructies



**WAARSCHUWING:** Lees de volgende waarschuwingen voordat u het product gaat gebruiken.

- Verwijder de accu om onbedoeld starten van de machine te voorkomen.
- Dit product kan bij onvoorzichtig of onjuist gebruik een gevaarlijk gereedschap zijn. Dit product kan

ernstig of fataal letsel toebrengen aan de gebruiker of anderen.

- Gebruik het product niet als de oorspronkelijke specificatie is gewijzigd. Vervang geen onderdelen van het product zonder toestemming van de fabrikant. Gebruik alleen onderdelen die zijn goedgekeurd door de fabrikant. Onjuist onderhoud kan leiden tot letsel of de dood.
- Controleer het product vóór gebruik. Zie *Controle voor het starten op pagina 264* en *Voordat u het product gaat bedienen op pagina 271*. Gebruik geen product dat is beschadigd of niet correct werkt. Voer de in deze handleiding beschreven veiligheidscontroles en de onderhouds- en service-instructies uit.
- Kinderen moeten onder toezicht worden gehouden om er zeker van te zijn dat ze niet met het product spelen. Laat het product nooit gebruiken door kinderen of andere personen die niet zijn opgeleid voor het gebruik of onderhoud van het product en/of de accu. De minimumleeftijd van de gebruiker kan zijn vastgelegd in plaatselijke voorschriften.
- Bewaar het product in een afgesloten ruimte om toegang door kinderen of onbevoegde personen te verhinderen.
- Bewaar het product buiten het bereik van kinderen.
- De oorspronkelijke vormgeving van het product mag in geen enkel geval worden gewijzigd zonder toestemming van de fabrikant. Gebruik altijd originele accessoires. Niet goedgekeurde wijzigingen en/of niet-originele onderdelen kunnen tot ernstig persoonlijk letsel of de dood van zowel gebruiker als omstanders leiden.

---

**Let op:** Landelijke of lokale wettelijke voorschriften kunnen van toepassing zijn op het gebruik. Volg de eventuele voorschriften op.

---

## Veiligheidsinstructies voor bediening

---



**WAARSCHUWING:** Lees de volgende waarschuwingen voordat u het product gaat gebruiken.

---

- **Gebruik de machine niet bij slechte weersomstandigheden, vooral wanneer er een risico bestaat van blikseminslag.** Zo verkleint u het gevaar dat u geraakt wordt door de bliksem.
- **Inspecteer het gebied waar de machine wordt gebruikt zorgvuldig op de aanwezigheid van dieren.** Dieren kunnen gewond raken wanneer u in hun nabijheid de machine gebruikt.
- **Onderwerp het gebied waar de machine gebruikt gaat worden aan een grondige inspectie en verwijder alle stenen, stokken, draden, beenderen, en andere voorwerpen.** Weggeslingerde objecten kunnen persoonlijk letsel veroorzaken.
- **Voer voorafgaand aan gebruik altijd een visuele inspectie uit van de maaier om te controleren of de maaier en de maaikop niet zijn beschadigd.** Beschadigde onderdelen verhogen het risico op letsel.
- **Houd beschermkappen op hun plaats. Beschermkappen moeten in goede staat en correct gemonteerd zijn.** Een beschermkap die los zit, beschadigd is of niet goed functioneert, kan leiden tot persoonlijk letsel.
- **Houd alle koelluchtinlaten vrij van vuil.** Geblokkeerde luchtinlaten en vuil kunnen leiden tot oververhitting of brandgevaar.
- **Draag oog- en gehoorbescherming.** Als u een geschikte beschermingsuitrusting draagt, neemt de kans op persoonlijk letsel af.
- **Draag tijdens het gebruik van de machine altijd beschermend schoeisel met antislipzool. Gebruik de machine niet op blote voeten of terwijl u open sandalen draagt.** Dit vermindert de kans op letsel aan de voeten door contact met de bewegende maaier.
- **Draag tijdens het gebruik van de machine altijd een broek, waarvan de pijpen uw benen over de volledige lengte bedekken..** Contact met de bewegende maaier of maaidraad kan letsel veroorzaken.
- **Houd omstanders uit de buurt tijdens het gebruik van de machine.** Weggeslingerd afval kan leiden tot ernstig persoonlijk letsel.
- **Gebruik de machine niet boven heuphoogte.** Zo voorkomt u onbedoeld contact met de maaier en houdt u de machine in onverwachte situaties beter onder controle.
- **Wees voorzichtig bij het gebruik van de machine in nat gras. U dient uitsluitend te lopen, nooit te rennen.** Dit verkleint het risico op uitglijden en vallen, wat kan leiden tot persoonlijk letsel.
- **Gebruik de machine niet op extreem steile hellingen.** Dit verkleint het risico van controleverlies, uitglijden en vallen, wat kan leiden tot persoonlijk letsel.
- **Wees bij het werken op hellingen altijd zeker van uw grip, werk altijd dwars over het oppervlak van hellingen, nooit omhoog of omlaag en wees uiterst voorzichtig wanneer u van richting verandert.** Dit verkleint het risico op controleverlies uitglijden en vallen, wat kan leiden tot persoonlijk letsel.
- **Houd alle netsnoeren en kabels uit de buurt van het maaigebied.** Netsnoeren en kabels kunnen verborgen zijn in heggen of struiken en kunnen per ongeluk worden doorgesneden of beschadigd door de maaidraad.
- **Houd alle lichaamsdelen uit de buurt van de bewegende maaier of maaidraad. Verwijder geen materiaal uit de machine totdat deze is losgekoppeld van de voedingsbron.** De bewegende maaier of maaidraad kan leiden tot ernstig persoonlijk letsel.
- **Draag de machine van uw lichaam af en zorg ervoor dat deze uitgeschakeld is.** Op de juiste manier omgaan met de machine vermindert de kans op onbedoeld contact met de bewegende maaier of maaidraad.

- **Gebruik alleen vervangende maaikoppen of maaidraden die worden gespecificeerd door de fabrikant. Vervang de maaikop of maaidraad niet door messen of metalen draad.** Onjuiste vervangende onderdelen kunnen controleverlies, defecten en letsel veroorzaken.

## Persoonlijke beschermingsuitrusting



**WAARSCHUWING:** Lees de volgende waarschuwingen voordat u het product gaat gebruiken.

- Draag tijdens het gebruik van het product altijd goedgekeurde persoonlijke beschermingsuitrusting. Persoonlijke beschermingsuitrusting kunnen niet alle risico's uitsluiten maar kunnen de ernst van eventueel letsel helpen beperken. Vraag uw dealer u te helpen bij het kiezen van de juiste uitrusting.
- Gebruik goedgekeurde gehoorbescherming.

(Fig. 17)

- Gebruik goedgekeurde oogbescherming. Als u een vizier gebruikt, moet u ook een goedgekeurde veiligheidsbril gebruiken. Een goedgekeurde veiligheidsbril moet voldoen aan de norm ANSI Z87.1 voor de VS of EN 166 voor de EU-landen.

(Fig. 18)

- Draag indien nodig handschoenen, bijvoorbeeld bij het monteren, inspecteren of reinigen van de snijuitrusting.

(Fig. 19)

- Gebruik beschermende laarzen met stalen neuzen en antislipzolen.

(Fig. 20)

- Gebruik kleding van stevige stof. Gebruik altijd een zware lange broek en lange mouwen. Gebruik geen loszittende kleding die gemakkelijk kan blijven haken aan takjes en struikgewas. Gebruik geen sieraden, korte broeken of sandalen. Werk nooit met blote voeten. Bind voor de veiligheid lang haar samen tot boven schouderhoogte.
- Houd de EHBO-does in de buurt.

(Fig. 21)

## Veiligheidsvoorzieningen op het product



**WAARSCHUWING:** Lees de volgende waarschuwingen voordat u het product gaat gebruiken.

In dit hoofdstuk worden de veiligheidsvoorzieningen van het product beschreven, welke functie ze hebben en hoe controles en onderhoud moeten worden uitgevoerd om hun goede werking te waarborgen. Zie de instructies in het hoofdstuk *Inleiding op pagina 263* om te zien waar deze onderdelen zich bevinden op uw product.

De levensduur van het product kan worden verkort en het risico op ongevallen kan toenemen wanneer het onderhoud van het product niet op de juiste manier plaatsvindt en wanneer service en/of reparaties niet vakkundig worden uitgevoerd. Indien u meer informatie nodig hebt, verzoeken wij u contact op te nemen met de dichtstbijzijnde onderhoudsdealer.



**WAARSCHUWING:** Gebruik een product nooit wanneer de veiligheidsvoorzieningen beschadigd zijn. De veiligheidsuitrusting van het product moet geïnspecteerd en onderhouden worden zoals beschreven in dit hoofdstuk. Als uw product een van deze controles niet doorstaat, moet u contact opnemen met uw servicewerkplaats om uw unit te laten repareren.



**OPGELET:** Om service en reparaties aan de machine uit te voeren, moet u een speciale opleiding hebben. Dit geldt met name voor de veiligheidsuitrusting van de machine. Als uw machine een van de volgende controles niet goed doorstaat, moet u ermee naar uw servicewerkplaats gaan. Als u één van onze producten koopt, garanderen wij de beschikbaarheid van professionele reparaties en onderhoud. Als u uw machine hebt gekocht bij één van onze dealers die geen servicewerkplaats heeft, vraag dan waar de dichtstbijzijnde erkende werkplaats is.

## Toetsenbord controleren

1. Houd de start/stop-knop (A) ingedrukt. (Fig. 22)
  - a) Het product is ingeschakeld wanneer de led (B) brandt.
  - b) Het product is uitgeschakeld wanneer de led (B) uit is.
2. Raadpleeg *Toetsenbord op pagina 274* als het waarschuwingslampje (C) brandt of knippert.

## De vergrendeling van de activeringsschakelaar controleren

De vergrendeling van de activeringsschakelaar voorkomt dat het product per ongeluk wordt gestart. Wanneer u de vergrendeling (A) van de activeringsschakelaar indrukt, wordt de activeringsschakelaar (B) vrijgegeven. Als u de handgreep loslaat, bewegen de activeringsschakelaar en de vergrendeling weer terug naar hun beginposities. (Fig. 23)

1. Controleer of de activeringsschakelaar is vergrendeld wanneer de beveiliging van de activeringsschakelaar in de beginpositie staat. (Fig. 24)

2. Druk op de activeringsschakelaar en controleer of deze terugkeert naar de oorspronkelijke stand wanneer u deze loslaat. (Fig. 25)
3. Controleer of de activeringsschakelaar en de vergrendeling vrij kunnen bewegen en dat de retourveer juist werkt. (Fig. 26)
4. Start het product. Zie *Product starten op pagina 272*.
5. Geef vol gas.
6. Laat de activeringsschakelaar los en zorg ervoor dat de snijuitrusting volledig stopt.

#### Beschermkap van de snijuitrusting controleren



**WAARSCHUWING:** Gebruik geen snijuitrusting zonder een goedgekeurde en correct bevestigde beschermkap. Gebruik altijd de voorgeschreven beschermkap voor de snijuitrusting die u gebruikt, zie *Technische gegevens op pagina 276*. Indien een verkeerde of defecte beschermkap voor de snijuitrusting wordt gemonteerd, kan dit ernstig lichamenlijk letsel veroorzaken.

De beschermkap van de snijuitrusting houdt objecten tegen die in de richting van de gebruiker kunnen vliegen. De beschermkap voor de snijuitrusting voorkomt ook letsel dat veroorzaakt wordt als u met de snijuitrusting in contact komt.

1. Stop de motor.
2. Voer een visuele controle uit op beschadigingen, bijvoorbeeld scheuren.
3. Vervang de beschermkap van de snijuitrusting als deze is beschadigd.

#### Snijuitrusting

Gebruik de juiste snijuitrusting en voer onderhoud uit aan de snijuitrusting voor:

- Optimale snijprestaties.
- Een verlengde levensduur van de snijuitrusting.



**WAARSCHUWING:** Gebruik een snijuitrusting alleen samen met de door ons aanbevolen beschermkappen! Zie *Technische gegevens op pagina 276*. Zie de instructies voor de snijuitrusting voor het correct invoeren van de draad en de keuze van de juiste diameter voor de trimmerdraad.



**WAARSCHUWING:** Defecte snijuitrusting kan het risico op ongevallen vergroten.



**WAARSCHUWING:** Schakel altijd de motor uit voor u aan de snijuitrusting gaat werken. Deze blijft roteren nadat u de gashendel hebt losgelaten. Controleer of de snijuitrusting volledig tot stilstand is gekomen en koppel de bougiekap los voordat u werkzaamheden gaat uitvoeren.

#### Trimmerkop



**WAARSCHUWING:** Zorg er altijd voor dat de trimmerdraad strak en gelijkmatig rond de trommel is gewikkeld om schadelijke trillingen te voorkomen.

(Fig. 27)

- Gebruik alleen aanbevolen trimmerkoppen en trimmerdraden.
- Gebruik alleen de aanbevolen snijuitrusting.
- Kleinere machine hebben over het algemeen kleine trimmerkoppen nodig en omgekeerd.
- De lengte van de trimmerdraad is belangrijk. Een langere draad vereist een groter motorvermogen dan een korte, ook al is de diameter van de draad even groot.
- Zorg ervoor dat het mes dat op de trimmerbeschermkap zit, niet beschadigd is. Hiermee wordt de trimmerdraad op de juiste lengte gesneden.
- Om de levensduur van de trimmerdraad te verlengen, kunt u deze een paar dagen in water weken voorafgaand aan gebruik.

#### Veiligheid bij accu's



**WAARSCHUWING:** Lees de volgende waarschuwingen voordat u het product gaat gebruiken.

- Gebruik alleen de accu's uit de BLI-serie en 40-B-serie. Voor meer informatie, zie *Technische gegevens op pagina 276*. De accu is via software versleuteld.
- Gebruik accu's uit de BLI-serie en de 40-B-serie die uitsluitend oplaadbaar zijn als een voedingsbron voor de bijbehorende producten van Husqvarna. Gebruik de accu niet als voedingsbron voor andere apparaten, om letsel te voorkomen.
- Risico van elektrische schok. Breng de accuklemmen niet in contact met sleutels, munten, schroeven of ander metaal. Dit kan kortsluiting van de accu veroorzaken.
- Gebruik geen niet-oplaadbare accu's.
- Plaats geen voorwerpen in de lichtspleten van de accu.

- Bescherm de accu tegen direct zonlicht, warmte of open vuur. De accu kan brandwonden en/of chemische brandwonden veroorzaken.
- Bescherm de accu tegen regen en vocht.
- Houd de accu uit de buurt van magnetrons en hoge druk.
- Probeer de accu niet te demonteren of te slopen.
- Als er een accu lekt, zorg er dan voor dat de vloeistof niet in aanraking komt met uw huid of ogen. Als u in aanraking bent gekomen met de vloeistof, reinig het oppervlak dan met een ruime hoeveelheid water en zeep en raadpleeg een arts. Wrijf niet in uw ogen wanneer u vloeistof in uw ogen krijgt, maar spoel uw ogen minstens 15 minuten met water en raadpleeg een arts.
- Gebruik de accu bij temperaturen tussen -10 °C (14 °F) en 40 °C (114 °F).
- Reinig de accu of acculader nooit met water. Zie *Product, accu en acculader reinigen op pagina 274*.
- Gebruik geen defecte of beschadigde accu.
- Sla accu's op uit de buurt van metalen voorwerpen, bijvoorbeeld spijkers, schroeven en sieraden.
- Houd de accu buiten het bereik van kinderen.

## Veiligheidsvoorschriften voor acculader



**WAARSCHUWING:** Lees de volgende waarschuwingen voordat u het product gaat gebruiken.

- Risico van elektrische schok of kortsluiting wanneer de veiligheidsinstructies niet worden opgevolgd.
- Gebruik geen andere acculader dan die bij uw product is geleverd. Gebruik uitsluitend QC80 en 40-C80-laders wanneer u vervangende accu's uit de BLi-serie en de 40-B-serie oplaadt.
- Probeer de acculader niet te demonteren.
- Gebruik geen defecte of beschadigde acculader.
- Til de acculader niet op aan de voedingskabel. Trek aan de stekker om de acculader uit de wandcontactdoos te halen. Trek niet aan de voedingskabel.
- Houd alle kabels en verlengsnoeren uit de buurt van water, olie en scherpe kanten. Let op dat de kabel niet bekneld raakt tussen objecten zoals deuren, hekken en dergelijke.
- Gebruik de acculader niet in de buurt van brandbare materialen of materialen die corrosie kunnen veroorzaken. Controleer of de acculader niet is afgedekt. Haal de stekker van de acculader uit de wandcontactdoos bij rookontwikkeling of brand.

- De accu mag alleen binnenshuis worden opgeladen op een plek met voldoende ventilatie en zonder direct zonlicht. Laad de accu niet buiten op. Laad de accu niet op in vochtige omstandigheden.
- Gebruik de acculader alleen op plekken met een temperatuur tussen 5 °C (41 °F) en 40 °C (104 °F). Gebruik de lader in een omgeving die goed geventileerd, droog en stofvrij is.
- Plaats geen voorwerpen in de koelspleten van de acculader.
- Verbind de contacten van de acculader niet met metalen objecten, omdat dit kortsluiting in de acculader kan veroorzaken.
- Gebruik goedgekeurde stopcontacten die niet beschadigd zijn. Controleer of de kabel van de acculader niet beschadigd is. Als er verlengkabels worden gebruikt, zorg er dan voor dat deze niet beschadigd zijn.
- Laad niet-oplaadbare accu's niet op in de acculaders.

## Veiligheidsinstructies voor onderhoud



**WAARSCHUWING:** Lees de volgende waarschuwingen voordat u onderhoud aan het product gaat uitvoeren.

- Verwijder de accu voordat u onderhoud of andere controles uitvoert, of het product demonteert.
- De gebruiker mag alleen de onderhouds- en servicewerkzaamheden uitvoeren die in deze bedieningshandleiding zijn beschreven. Ga naar uw servicedealer voor verdergaande service- of onderhoudswerkzaamheden.
- Reinig de accu of acculader nooit met water. Sterke reinigingsmiddelen kunnen schade aan het kunststof veroorzaken.
- Als u geen onderhoud uitvoert, verkort dit de levenscyclus van het product en vergroot het risico op ongevallen.
- Voor alle service en reparaties is speciale training vereist, vooral voor de veiligheidsvoorzieningen op het product. Als niet alle controles in deze bedieningshandleiding een goed resultaat geven nadat u onderhoud hebt uitgevoerd, ga dan naar uw servicedealer. Wij garanderen dat u daar professionele reparaties en service voor uw product krijgt.
- Gebruik alleen originele reserveonderdelen.

---

## Montage

---

### Inleiding



**WAARSCHUWING:** Zorg dat u het hoofdstuk over veiligheid hebt gelezen en begrepen voordat u het apparaat monteert.

### De trimmerbeschermkap bevestigen

1. Plaats de trimmerbeschermkap tegen het motorhuis. (Fig. 28).
2. Steek de bout door de wielmotorkast en de trimmerbeschermkap. (Fig. 29)
3. Draai de bout vast.

### De trimmerkop monteren

1. Draai aan de uitgaande as totdat het gat in de meenemer op één lijn ligt met de opening in het tandwielhuis.
2. Breng de borgpen aan in de opening om de steel te vergrendelen.
3. Draai de trimmerkop linksom. (Fig. 30)

### Lusgreep monteren

1. Breng de schroef aan in de lusgreep. (Fig. 31)
2. Monteer de lusgreep op de uitrusting op de as.

3. Draai de schroeven vast.
4. Stel de lusgreep in de juiste stand af. Zie *De lusgreep en de telescopische as afstellen op pagina 272.*

### De plantbeschermer installeren

1. Installeer de plantbeschermer in de gaten in het motorhuis. (Fig. 32)
2. Controleer of de plantbeschermer vrij naar voren en naar achteren kan bewegen. (Fig. 33)

### De acculader 40-C80 aan de wand bevestigen



**OPGELET:** Gebruik geen elektrische schroevendraaier om de acculader aan de wand te bevestigen. Een elektrische schroevendraaier kan de acculader beschadigen.

1. Bevestig de acculader met de 2 schroeven (B) aan de wand. Gebruik wandpluggen (A) indien nodig. (Fig. 34)
2. Plaats de 2 schroefgatpluggen (C).
3. Sluit de voedingskabel aan op de acculader en een stopcontact.

---

## Werking

---

### Inleiding



**WAARSCHUWING:** Zorg dat u het hoofdstuk over veiligheid hebt gelezen en begrepen voordat u het product gebruikt.

### Voordat u het product gaat bedienen

- Bekijk het werkgebied zodat u weet welk type terrein het is. Bekijk de helling van de ondergrond en of er obstakels zijn zoals stenen, takken en greppels.
- Voer een algemene inspectie van het product uit.
- Voer de veiligheidsinspecties, onderhoud en servicebeurten uit die in deze handleiding worden aangegeven.
- Controleer de motor op vuil en barsten. Gebruik een borstel om gras en bladeren van de motor te verwijderen. Gebruik indien nodig handschoenen.
- Controleer de trimmerkop en de beschermkap voor de snijuitrusting op beschadigingen of scheuren. Vervang de trimmerkop en de beschermkap voor de snijuitrusting als ze geraakt zijn of scheuren hebben.
- Controleer of alle moeren en schroeven goed zijn vastgedraaid.

- Zorg voordat u het product start dat alle afschermingen en beschermkappen, handgrepen en de snijuitrusting correct zijn aangebracht en onbeschadigd zijn.

### Accu



**WAARSCHUWING:** Zorg dat u het hoofdstuk over veiligheid hebt gelezen en begrepen voordat u de accu gebruikt. Zorg er ook voor dat u de bedieningshandleiding bij de accu en de acculader hebt gelezen en begrepen.

Houd de accu en de acculader in de correcte omgevingstemperaturen.

	Omgevingstemperatuur
Accu gebruiken	5 °C-40 °C / 41 °F-104 °F
Accu laden	5 °C-40 °C / 41 °F-104 °F

## Accustatus

(Fig. 35)

Het display toont de laadstatus en geeft aan of er problemen zijn met de accu.

Led-indicator	Accustatus (laadstatus)	
	BLi10, BLi20	40-B70, 40-B140
4 leds branden	N.v.t.	De accu is 76% - 100% opgeladen.
3 leds branden	De accu is 76% - 100% opgeladen.	De accu is 51% - 75% opgeladen.
2 leds branden	De accu is 51% - 75% opgeladen.	De accu is 26% - 50% opgeladen.
1 led brandt	De accu is 26% - 50% opgeladen.	De accu is 6% - 25% opgeladen.
1 led knippert	De accu is 0% - 25% opgeladen.	De accu is 0% - 5% opgeladen.

### De accu opladen

Laad de accu op als u deze voor de eerste keer gebruikt. Een nieuwe accu is slechts 30% opgeladen.



**OPGELET:** Sluit de acculader aan op een stopcontact waarvan de spanning en frequentie overeenkomen met de specificaties op het productplaatje.

De accu wordt niet opgeladen als de temperatuur van de accu hoger is dan 50 °C/122 °F.

1. Sluit de voedingskabel aan op de acculader.
2. Sluit de acculader aan op een geaard stopcontact. De oplaadled knippert 1 keer. (Fig. 36)
3. Sluit de accu aan op de acculader. De oplaadled gaat branden. Laad de accu max. 24 uur op. (Fig. 37)
4. Druk op de accu-indicatielampjes, wanneer alle led-indicatielampjes branden, is de accu volledig geladen.
5. Haal de stekker uit het stopcontact om de acculader van het stopcontact los te koppelen. Trek niet aan de voedingskabel.
6. Haal de accu uit de acculader.

### De accu aansluiten op het product



**WAARSCHUWING:** Gebruik uitsluitend de originele Husqvarna-accu voor het product.

1. Laad de accu volledig op.
2. Druk de accu in de accuhouder van het product. De accu is in positie vergrendeld als u een klik hoort. (Fig. 38)



**OPGELET:** Als u de accu niet eenvoudig in de accuhouder kunt plaatsen, is de batterij niet correct geïnstalleerd. Dit kan schade aan het product veroorzaken.

### Product starten

1. Houd de start-/stopknop ingedrukt totdat de groene led gaat branden. (Fig. 39)
2. Druk de vergrendeling van de activeringsschakelaar en de activeringsschakelaar in. De snijuitrusting begint te draaien.

### De lusgreep en de telescopische as afstellen

1. Zet de vergrendelingshendel los en zet de lusgreep in de gewenste stand. (Fig. 40)
2. Sluit de vergrendelingshendel.
3. Maak de hendel op de as los. (Fig. 41)
4. Stel de as af op de gewenste lengte. Zorg ervoor dat u de driehoek op de steel kunt zien. (Fig. 42)
5. Sluit de hendel en draai de schroef vast.

**Let op:** Bevestig de lusgreep niet op de waarschuwingsplaatjes op de steel.

### De functie SavE gebruiken

Dit product heeft een accubesparingsfunctie (SavE).

**Let op:** De SavE-functie zorgt niet voor een lagere zaagkracht van het product.

1. Druk op de SavE-knop op het toetsenblok.
2. Controleer of de groene LED gaat branden.
3. Druk nogmaals op de SavE-knop om de functie uit te schakelen. De groene led gaat uit. (Fig. 43)



## Automatische uitschakelfunctie

Het product heeft een uitschakelfunctie die het product stopt als het product niet wordt gebruikt. De groene led voor start/stop-indicatie gaat uit en het product stopt na 180 seconden.

## Het product gebruiken

### Gras trimmen

1. Houd de trimmerkop vlak boven de grond en schuin. Druk de grastrimmerdraad niet in het gras. (Fig. 44)
2. Verkort de lengte van de trimmerdraad met 10-12 cm/4-4,75 inch.
3. Verlaag het motortoerental om het risico op schade aan planten te beperken.
4. Gebruik 80 % van het vermogen wanneer u in de buurt van objecten gras maait. (Fig. 45)

### Gras verwijderen

1. Houd de trimmerkop boven de grond.
2. Kantel de trimmerkop.
3. Snijd met het uiteinde van de trimmerdraad rond objecten in het werkgebied.



**OPGELET:** Gras maaien. Andere objecten die worden getroffen door de trimmerdraad verhogen de slijtage van de trimmerdraad.

### Gras maaien

1. Zorg dat de trimmerdraad parallel loopt aan de grond wanneer u gaat maaien. (Fig. 46)

2. Duw de trimmerkop niet op de grond. Dit kan schade aan het product veroorzaken.
3. Gebruik de maximale snelheid. (Fig. 47)

### Gras vegen

De luchtstroom van de roterende trimmerdraad kan worden gebruikt om maaisel uit een gebied te verwijderen.

1. Houd de trimmerkop met de trimmerdraad parallel aan de grond en boven de grond.
2. Geef vol gas.
3. Beweeg de trimmerkop van de ene naar de andere kant en veeg het gras.



**WAARSCHUWING:** Reinig de kap van de trimmerkop altijd wanneer u een nieuwe trimmerdraad monteert, om onbalans en trillingen in de hendels te voorkomen. Controleer ook de andere onderdelen van de trimmerkop en reinig deze indien nodig.

## Product stoppen

1. Laat de activeringsschakelaar en de vergrendeling van de activeringsschakelaar los.
2. Druk op de start/stop-knop totdat de groene led uit gaat.
3. Druk op de ontgrendelknoppen op de accu en verwijder de accu uit het product. (Fig. 48)

## Trimmerdraad vervangen

Zie de laatste pagina van deze bedieningshandleiding.

# Onderhoud

## Inleiding



**WAARSCHUWING:** Zorg dat u het hoofdstuk over veiligheid hebt gelezen en begrepen voordat u onderhoud aan het product gaat uitvoeren.

## Onderhoudsschema



**WAARSCHUWING:** Verwijder de accu voordat u onderhoud uitvoert.

Hieronder volgt een lijst van het onderhoud dat u aan het product moet uitvoeren. Zie *Onderhoud op pagina 273* voor meer informatie.

Onderhoud	Elke dag	Wekelijks	Maandelijks
Reinig de externe onderdelen van het product met een droge doek. Gebruik geen water.	X		
Controleer of de start/stop-knop correct werkt en niet beschadigd is.	X		
Controleer of de voedingsschakelaar en de vergrendeling van de voedingsschakelaar correct werken vanuit veiligheidsoogpunt.	X		

Onderhoud	Elke dag	Wekelijks	Maandelijks
Controleer of alle bedieningselementen werken en niet zijn beschadigd.	X		
Houd de handgrepen droog, schoon en vrij van olie en vet.	X		
Controleer of de snijuitrusting niet beschadigd is. Vervang de snijuitrusting als deze is beschadigd.	X		
Controleer of de beschermkap voor snijuitrusting niet is beschadigd. Vervang de beschermkap van de snijuitrusting als deze is beschadigd.	X		
Controleer of de schroeven en moeren goed zijn vastgedraaid.	X		
Controleer of de ontgrendelknoppen op de accu werken en de accu in het product vergrendelen.	X		
Controleer of de acculader niet beschadigd is en goed functioneert.	X		
Controleer of de accu niet beschadigd is.	X		
Zorg ervoor dat de accu is opgeladen.	X		
Controleer of de acculader niet beschadigd is.	X		
Controleer alle kabels, koppelingen en aansluitingen. Zorg ervoor dat deze niet zijn beschadigd en vrij zijn van vuil.		X	
Controleer de verbindingen tussen de accu en het product. Controleer de verbinding tussen de accu en de acculader.			X

### Accu en acculader controleren

1. Controleer de accu op beschadigingen, bijvoorbeeld scheuren.
2. Controleer de acculader op beschadigingen, bijvoorbeeld scheuren.
3. Controleer of de aansluitkabel van de acculader niet beschadigd of gescheurd is.

### Product, accu en acculader reinigen

1. Reinig het product met een droge doek na gebruik.
2. Reinig de accu en acculader met een droge doek. Houd de accugeleiderails schoon.
3. Zorg ervoor dat de aansluitingen van de accu en de acculader schoon zijn voor dat de accu in de acculader of het product wordt geplaatst.

### De trimmerkop controleren en vervangen

1. Controleer de trimmerkop op beschadiging en barsten.
2. Trek de trechter voor de trimmerdraad naar buiten.
3. Verwijder de trimmerkop. (Fig. 49)
4. Vervang de trimmerkop.
5. Monteer de trimmerkop. Zie *De trimmerkop monteren op pagina 271*.

---

## Probleemoplossing

---

### Toetsenbord

LED-scherm	Mogelijke fouten	Mogelijke oplossingen
De fout-led knippert.	Overbelasting	De snijuitrusting kan niet vrij bewegen. Haal de snijuitrusting los.
	Temperatuurafwijking	Laat het product afkoelen.
Het product start niet.	Druk op de activeringsschakelaar en druk tegelijkertijd op de startknop.	Laat de activeringsschakelaar los en stop het product.

LED-scherm	Mogelijke fouten	Mogelijke oplossingen
De fout-led licht rood op.	Het product moet worden onderhouden	Neem contact op met uw service-dealer.

## Accu

Led-display	Mogelijke fouten	Mogelijke actie
De groene led knippert.	Lage accuspanning.	Laad de accu op.
De fout-led knippert.	Temperatuurafwijking.	Gebruik de accu bij temperaturen tussen -10°C (14°F) en 40°C (104°F).
	Spanning te hoog.	Controleer of de netspanning overeenkomt met de spanning die is aangegeven op het typeplaatje op het product. Haal de accu uit de acculader.
De fout-led brandt.	Celverschil te groot (1 V).	Neem contact op met uw servicedealer.

## Acculader

Probleem	Mogelijke fouten	Mogelijke oplossing
De oplaadled is rood.	Permanente acculaderfout.	Neem contact op met uw dealer.
De oplaadled knippert groen.	Temperatuurafwijking, de accu is te koud of te heet om te gebruiken of op te laden.	Laat de accu afkoelen of warm worden. Als de accu de juiste temperatuur heeft, kan deze weer worden gebruikt of opgeladen. Gebruik de acculader bij omgevingstemperaturen tussen 5 °C en 40 °C.
De oplaadled knippert rood.	Defecte accu.	Neem contact op met uw dealer.

## Vervoer, opslag en verwerking

### Transport en opslag

- De meegeleverde Li-ion-accu's voldoen aan de wettelijke vereisten voor gevaarlijke goederen.
- Neem de bijzondere voorschriften op de verpakking en labels voor commercieel transport in acht. Dit geldt ook voor derden en expediteurs.
- Neem contact op met een persoon die gespecialiseerd is op het gebied van gevaarlijke stoffen voordat u het product verzendt. Neem alle van toepassing zijnde nationale voorschriften in acht.
- Breng tape aan op blootliggende aansluitingen wanneer u de accu in een pakket plaatst. Plaats de accu strak in het pakket om beweging te voorkomen.
- Verwijder de accu bij opslag of vervoer.
- Plaats de accu en de acculader in een droge, vocht- en vorstvrije ruimte.
- Bewaar de accu niet op plaatsen waar statische elektriciteit aanwezig is. Bewaar de accu niet in een metalen doos.
- Bewaar de accu op een plaats met een temperatuur tussen 5 °C en 25 °C en niet in direct zonlicht.
- Bewaar de acculader op een plaats met een temperatuur tussen 5 °C en 45 °C en niet in direct zonlicht.
- Gebruik de acculader alleen als de omgevingstemperatuur tussen 5 °C en 40 °C ligt.

- Laad de accu op tussen de 30% en 50% voorafgaand aan langdurige opslag.
- Berg de acculader op in een ruimte die afgesloten en droog is.
- Bewaar de accu niet in de buurt van de acculader. Laat kinderen en andere onbevoegde personen niet aan de apparatuur komen. Bewaar de apparatuur in een ruimte die u kunt afsluiten.
- Reinig het product en voer een volledige onderhoudsbeurt uit voordat u het product voor langere tijd opslaat.
- Gebruik de transportbescherming op het product om letsel bij personen of schade aan het product tijdens vervoer en opslag te voorkomen.

- Bevestig het product stevig tijdens vervoer.

## Accu, acculader en product afvoeren

Symbolen op het product of op de verpakking van het product geven aan dat dit product geen huishoudelijk afval is. Lever het in bij een recyclepunt voor elektrische en elektronische apparatuur. Dit voorkomt vervuiling van het milieu en letsel bij personen.

Neem contact op met uw lokale autoriteiten, afvalverwerkingsbedrijf of dealer voor meer informatie over het recyclen van uw product.

---

## Technische gegevens

---

### Technische gegevens

	<b>215iL</b>
<b>Motor</b>	
Motortype	BLDC
Toerental van uitgaande as, tpm	6800
Maaibreedte, mm	310
<b>Gewicht</b>	
Gewicht zonder accu, kg	2,9
<b>Geluidsemisseries</b> <sup>49</sup>	
Geluidsvermogeniveau, gemeten dB(A)	90,5
Geluidsvermogensniveau, gegarandeerd L <sub>WA</sub> dB (A)	92
<b>Geluidsniveaus</b> <sup>50</sup>	
Equivalent geluidsdruk niveau bij het oor van de gebruiker, gemeten volgens EN ISO 50636-2-91, dB (A)	74,9
<b>Trillingsniveau</b> <sup>51</sup>	
Trillingsniveaus bij handgrepen, gemeten in overeenstemming met EN50636-2-91, m/s <sup>2</sup>	4,5 / 2,7
Voorzien van trimmerkop (origineel), voor/achter.	

<sup>49</sup> Geluidsemisserie naar de omgeving gemeten als geluidsvermogen (L<sub>WA</sub>) volgens EG-richtlijn 2000/14/EG. Het verschil tussen gegarandeerd en gemeten geluidsvermogen is dat het gegarandeerde geluidsvermogen ook spreiding in het meetresultaat omvat en de verschillen tussen de verschillende machines van hetzelfde model conform Richtlijn 2000/14/EG.

<sup>50</sup> De gerapporteerde gegevens voor een vergelijkbaar geluidsdruk niveau voor de machine vertonen een typische statistische spreiding (standaardafwijking) van 2,5 dB(A).

<sup>51</sup> De gerapporteerde gegevens voor een trillingsniveau vertonen een typische statistische spreiding (standaardafwijking) van 1,5 m/s<sup>2</sup>.

## Goedgekeurde accu's voor het product

Accu	BLI10	BLI20	40-B70	40-B140
Type	Lithium-ion		Lithium-ion	Lithium-ion
Accucapaciteit, Ah	Raadpleeg het plaatje met de accugegevens		Raadpleeg het plaatje met de accugegevens	Raadpleeg het plaatje met de accugegevens
Nominale spanning, V	36	36,5	36	36
Gewicht, lb/kg	0,7	0,7	1,2	1,25

## Goedgekeurde acculaders voor het product

Acculader	QC80	40-C80
Netspanning, V	100-240	100-240
Frequentie, Hz	50-60	50-60
Vermogen, W	100	72
Uitgangsspanning, V d.c./ Ampère, A	36/2	43/1,6

---

## Accessoires

---

### Goedgekeurde accessoires

Goedgekeurde accessoires	Type	Beschermkap voor de snijuitrusting, Artikelnr.
Trimmerkop	R25B (Ø 2 mm draad)	529 96 69-01

# Verklaring van overeenstemming

## EU-verklaring van overeenstemming

Wij, **Husqvarna AB**, SE-561 82 Huskvarna,  
Zweden, tel: +46-36-146500, verklaren onder onze  
alleenverantwoordelijkheid dat het product:

<b>Beschrijving</b>	Grasmaaier met accu
<b>Merk</b>	Husqvarna
<b>Type/model</b>	215iL
<b>Identificatie</b>	Serienummers vanaf 2024 en verder

voldoen volledig aan de volgende EU-richtlijnen en  
-regelgeving:

<b>Richtlijn / Verordening</b>	<b>Beschrijving</b>
2006/42/EG	"betreffende machines"
2014/30/EU	"betreffende elektromagnetische compatibiliteit"
2000/14/EG	"betreffende de geluidsemisies in het milieu"
2011/65/EU	"inzake beperking van het gebruik van bepaalde gevaarlijke stoffen in elektrische en elektronische apparatuur"

en dat de volgende normen en/of technische  
specificaties zijn toegepast: EN 60335-1:2012/  
A15:2021, EN 50636-2-91:2014, EN IEC 63000:2018,  
EN IEC 55014-1:2021; EN IEC 55014-2:2021.

Aangemelde instantie: 0197 TÜV Rheinland LGA  
Products GmbH, Tillystraße 2, 90431 Nürnberg,  
Germany is gecertificeerd conform Richtlijn 2000/14/EG  
van de Raad, beoordelingsprocedure voor conformiteit:  
Bijlage VI.

Voor informatie over geluidsemisies, zie *Technische  
gegevens op pagina 276*.

Huskvarna, 2024-02-01



Claes Losdal, R&D Manager, Husqvarna AB  
Verantwoordelijk voor technische documentatie



## INNHOLD

Inledning.....	279	Transport, opbeving og avhending.....	290
Sikkerhet.....	280	Tekniske data.....	291
Montering.....	286	Tilbehør.....	292
Drift.....	286	Samsvarserklæring.....	293
Vedlikehold.....	288	Vedlegg .....	454
Feilsøking.....	289		

---

## Innledning

---

### Produktbeskrivelse

Husqvarna 215iL er en batteridrevet gresstrimmer med en elektrisk motor.

Det pågår et kontinuerlig arbeid for å øke sikkerheten og effektiviteten din under bruk. Kontakt serviceforhandleren din for mer informasjon.

### Bruksområder

Produktet brukes med ikke-metalliske trimmertråder, ikke-metalliske snorer eller tilsvarende ikke-metalliske

### Produktoversikt

(Fig. 1)

1. Trimmerhode
2. Beskyttelse for skjæreutstyr
3. Riggør
4. Riggørjustering (teleskop)
5. Loophåndtak
6. Tastatur
7. Varsellampe for tastatur
8. Start/stopp-knapp
9. SavE-knapp
10. Kraftutløser
11. Kraftutløserperre
12. Strøm på- og varsellampe
13. Kobling
14. Batterilader 40-C80
15. Batterilader QC80
16. Strømledning
17. Plantevern
18. Varsellampe for batteri
19. Batteristatus
20. Batteriindikatorknapp
21. Batteriutløserknapper
22. Batteri
23. Kombinasjonsverktøy
24. Bruksanvisning

### Symboler på produktet

- (Fig. 2)      **ADVARSEL:** Dette produktet kan være farlig og føre til alvorlig personskade eller død for brukeren eller andre. Vær forsiktig, og bruk produktet riktig.
- (Fig. 3)      Les nøye gjennom bruksanvisningen, og sørg for at du har forstått instruksjonene før bruk.
- (Fig. 4)      Bruk øyevern.

fleksible skjæreelementer. Ikke bruk produktet til andre oppgaver enn å klippe ugress, gress eller lignende myk vegetasjon.

---

**Merk:** Nasjonale forskrifter kan sette grenser for bruken av produktet.

---

(Fig. 5)      Må ikke utsettes for regn.

(Fig. 6)      Etikett for støytuslipp til omgivelsene i henhold til EU-direktiver og forskrifter (også inkludert lovgivning i New South Wales) og britiske direktiver og forskrifter. Du finner informasjon om støytuslipp på maskinetiketten og i kapittelet Tekniske data.

(Fig. 7)      Hold tilskuere borte fra maskinen.

(Fig. 8)      Koble fra batteriet før vedlikehold.

(Fig. 9)      Produktet og produktemballasjen er ikke restavfall. Resirkuler det på et gjenvinningsanlegg for elektrisk og elektronisk utstyr.

(Fig. 10)      Dette produktet samsvarer med gjeldende EU-direktiver.

(Fig. 11)      Dette produktet samsvarer med gjeldende britiske direktiver.

(Fig. 12)      Direktestrøm.

**yyyywwxxxx**

Typeskiltet eller laseravtrykket viser serienummeret. **yyyy** er produksjonsåret, og **ww** er produksjonsuken.

### Symboler på batteriet og/eller batteriladeren

(Fig. 16)      Lever dette produktet til et gjenvinningsanlegg for elektrisk og elektronisk utstyr. (Gjelder kun Europa)

- (Fig. 13) Feilsikker transformator.
- (Fig. 14) Batteriladeren skal bare brukes og oppbevares innendørs.
- (Fig. 15) Dobbeltisolert.

## Skader på produktet

Vi er ikke ansvarlige for skader på produktet vårt hvis:

- Produktet er reparert på feil måte.
- Produktet er reparert med deler som ikke kommer fra produsenten eller som ikke er godkjent av produsenten.
- Produktet har et tilbehør som ikke kommer fra produsenten eller som ikke er godkjent av produsenten.
- Produktet er ikke reparert på et godkjent servicesenter eller av en godkjent aktør.

---

## Sikkerhet

---

### Sikkerhetsdefinisjoner

Advarsler, oppfordringer og merknader brukes for å understreke spesielt viktige deler av bruksanvisningen.



**ADVARSEL:** Brukes hvis det er fare for personskade eller død for brukeren eller andre personer om instruksjonene i håndboken ikke følges.



**OBS:** Brukes hvis det er fare for skade på produktet, annet materiell eller nærliggende områder om instruksjonene i håndboken ikke følges.

**Merk:** Brukes for å gi mer nødvendig informasjon for en spesifikk situasjon.

### Generelle sikkerhetsadvarsler for motorredskaper



**ADVARSEL:** Les alle sikkerhetsadvarsler og instruksjoner. Hvis du ikke følger advarslene og instruksjonene, kan det føre til elektrisk støt, brann og/eller alvorlig personskade.

**Merk:** Ta vare på alle advarsler og instruksjoner for fremtidig bruk. Begrepet «el-verktøy» i advarslene referer til elektrisk verktøy som drives av nettstrøm (med ledning) eller batteri (uten ledning).

### Kontroll før start

- Ta alltid ut batteriet for å hindre at produktet startes ved et uhell. Ta alltid ut batteriet før det utføres vedlikehold på maskinen.
- Før produktet brukes og etter at det har vært utsatt for slag, må det kontrolleres for tegn på slitasje eller skader. Det skal repareres ved behov.
- Inspiser arbeidsområdet. Fjern alle løse gjenstander, for eksempel steiner, glasskår, spiker, ståltråd,

snorer osv., som kan bli slynget av sted eller vikle seg rundt kapperen eller kapperbeskyttelsen.

- Kontroller motoren med tanke på smuss og sprekker. Fjern gress og blader fra motoren med en børste. Hansker skal brukes ved behov.
- Kontroller at trimmerhodet er skikkelig festet på trimmeren.
- Kontroller at produktet er i perfekt stand. Kontroller at alle muttere og skruer er trukket ordentlig til.
- Kontroller trimmerhodet og trimmerskjermen slik at de er uten skader og fri for sprekkdannelser. Bytt trimmerhode eller trimmerskjerm hvis de er blitt utsatt for slag eller har sprekker. Bruk alltid anbefalt beskyttelse for det spesifikke skjæreutstyret. Se kapitlet Tekniske data.
- Brukere av produktet må sørge for at mennesker og dyr er minst 15 meter unna mens det arbeides. Hvis flere arbeider på samme sted, skal sikkerhetsavstanden være minst 15 meter.
- Utfør en generell inspeksjon av produktet før bruk. Se vedlikeholdsskjemaet.
- Bruken av denne maskinen kan være regulert av nasjonal eller lokal lovgivning. Følg gjeldende lovgivning.

### Sikkerhet i arbeidsområdet

- **Hold arbeidsområdet rent og godt opplyst.** Rot og dårlig opplyste områder kan lett føre til ulykker.
- **Bruk ikke el-verktøy i eksplosiv atmosfære, for eksempel der det finnes brennbare væsker, gasser eller støv.** El-verktøy danner gnister som kan antenne støv eller gasser.
- **Hold barn og andre tilskuere på avstand når el-verktøyet er i bruk.** Distraksjoner kan føre til at du mister kontrollen.

### Elektrisk sikkerhet

- **Støpselet til elektroverktøyet må passe til stikkontakten. Du må aldri modifisere støpselet på noen måte. Adapterpluggen må ikke brukes sammen med et jordet elektroverktøy.** Når støpselet/pluggen ikke er modifisert og stikkontakten passer, vil dette redusere faren for elektrisk støt.
- **Unngå kroppskontakt med jodede flater, for eksempel rør, radiatorer, komfyrer og kjøleskap.**



Faren for elektrisk støt øker hvis kroppen til brukeren er jordet.

- **Elektroverktøy må ikke utsettes for regn eller fuktighet.** Hvis det kommer vann inn i elektroverktøyet øker faren for elektrisk støt.
- **Ledningen må håndteres forsiktig. Bruk aldri ledningen til å bære eller trekke noe, eller til å trekke ut støpselet. Hold ledningen unna varme, olje, skarpe kanter og bevegelige deler.** Skadet eller sammenflokete ledninger øker faren for elektrisk støt.
- **Når elektroverktøyet brukes utendørs, må det brukes en skjøteledning som er egnet for bruk utendørs.** Bruk av ledning for utendørs bruk reduserer faren for elektrisk støt.
- **Hvis elektroverktøyet må brukes på et fuktig sted, bør det være koblet til en strømkrets som er beskyttet av jordfeilbryter.** Bruk av jordfeilbryter reduserer faren for elektrisk støt.

## Personlig sikkerhet

- **Vær oppmerksom, følg med på det du gjør, og bruk sunn fornuft når du bruker elektroverktøyet. Ikke bruk et elektrisk verktøy hvis du er trett eller påvirket av narkotika, alkohol eller legemidler.** Et øyeblikks uoppmerksomhet ved bruk av elektroverktøy kan føre til alvorlig personskade.
- **Bruk personlig verneutstyr. Bruk alltid vernebriller.** Bruk av verneutstyr som støvmaske, vernesko med antisklisåle, hjelm og hørselvern der det kreves, reduserer faren for personskade.
- **Unngå utilsiktet oppstart. Forsikre deg om at bryteren står i AV-stillingen før du kobler til strømforsyningen og/eller batteripakken, tar opp verktøyet eller bærer verktøyet.** Hvis du bærer verktøyet med en finger på bryteren eller med elektroverktøyet påslått, kan dette lett føre til ulykker.
- **Fjern eventuelle justeringsnøkler før du slår på elektroverktøyet.** En nøkkel som sitter på en roterende del av elektroverktøyet, kan føre til personskade.
- **Ikke strekk deg for langt. Hold alltid føttene på bakken og en balansert stilling.** Dette gir deg bedre kontroll over elektroverktøyet i uventede situasjoner.
- **Bruk egnede klær. Bruk ikke løstsittende klær eller smykker. Hold hår og klær borte fra bevegelige deler.** Løstsittende klær, smykker eller langt hår kan sette seg fast i bevegelige deler.
- **Hvis apparatet er forsynt med tilkobling for støvsuger eller oppsamlere, må du forsikre deg om at disse er riktig tilkoblet og brukes på riktig måte.** Bruk av støvoppsamlere kan redusere faren for støvrelaterte skader.
- **Selv om du har lang erfaring med bruk av elektroverktøy, må du ikke bli uforsiktig eller ignorere sikkerhetsreglene.** En uforsiktig handling kan føre til alvorlig personskade i løpet av en brøkdels sekund.

- Vibrasjonsnivået under faktisk bruk av det motoriserte redskapet kan avvike fra den oppgitte totalverdien, avhengig av hvordan redskapet brukes. Brukeren må treffe sikkerhetstiltak for å beskytte seg, basert på et anslag av eksponeringen under de faktiske bruksforholdene (med hensyn til alle deler av operasjonssyklusen, for eksempel når verktøyet slås av og når det går på tomgang).

## Bruk og vedlikehold av elektroverktøy

- **Bruk ikke makt på elektroverktøyet. Bruk riktig elektroverktøy for arbeidet som skal utføres.** Riktig elektroverktøy gjør jobben på en bedre og sikrere måte i den hastigheten det er konstruert for.
- **Bruk ikke elektroverktøyet hvis bryteren ikke lar seg slå på og av.** Elektroverktøy som ikke kan kontrolleres med bryteren, er farlig, og må repareres.
- **Koble støpselet fra strømforsyningen og/eller batteripakken fra elektroverktøyet, hvis den er avtakbar, før du foretar justeringer, skifter tilbehør eller lagrer elektroverktøyet.** Slike forebyggende sikkerhetstiltak reduserer faren for at elektroverktøyet starter ved et uhell.
- **Elektroverktøy som ikke er i bruk, må oppbevares utilgjengelig for barn. La ikke elektroverktøyet brukes av personer som ikke er kjent med elektroverktøyet eller disse instruksjonene.** Elektroverktøy er farlige når de brukes av uerfarne brukere.
- **Vedlikehold elektroverktøy og tilbehør. Kontroller justeringen av bevegelige deler, samt at de ikke sitter fast. Kontroller at det ikke finnes ødelagte deler eller andre feil som kan påvirke bruken av elektroverktøyet. Hvis elektroverktøyet er skadet, må det repareres før bruk.** Mange ulykker forårsakes av dårlig vedlikeholdt elektroverktøy.
- **Hold skjæreverktøy skarpe og rene.** Riktig vedlikeholdte skjæreverktøy med skarpe skjærekanter har mindre fare for å sette seg fast, og er lettere å kontrollere.
- **Bruk elektroverktøyet, tilbehør og verktøybits osv. i henhold til disse instruksjonene, og i forhold til arbeidsforholdene og arbeidet som skal utføres.** Bruk av elektroverktøy til andre oppgaver enn dem de er laget for, kan føre til farlige situasjoner.
- **Hold håndtakene og gripeflatene tørre, rene og frie for olje og fett.** Glatte håndtak og gripeflater gjør trygg håndtering og kontroll av verktøyet i uventede situasjoner umulig.

## Bruk og pleie av batteriverktøy

- **Må bare lades med laderen som er spesifisert av produsenten.** En lader som passer til én batteripakke kan skape brannfare hvis den brukes med en annen batteripakke.
- **Produkter skal bare brukes med spesielt angitte batteripakker.** Bruk av andre batteripakker kan medføre fare for personskade og brann.
- **Når batteriet ikke er i bruk, må det holdes unna andre metallgjenstander som binders, mynter, nøkler, spiker, skruer og andre små**

**metallgjenstander som kan danne en forbindelse fra den ene batteripolen til den andre.** Kortslutning av batteripolene kan føre til forbrenning eller brann.

- **Hvis batteriet utsettes for store påkjenninger, kan det komme væske ut av det. Unngå i så fall kontakt med denne væsken. Skyll med vann hvis kontakt oppstår ved et uhell. Hvis du får væske i øynene, kontakt lege øyeblikkelig.** Væske som kommer ut av batteriet kan forårsake irritasjon eller forbrenninger.
- **Ikke bruk batteripakken eller verktøyet hvis det er skadet eller endret.** Skadede eller endrede batterier kan ha en uforutsigbar adferd, noe som kan føre til brann, eksplosjoner eller personskader.
- **Ikke eksponer en batteripakke eller et verktøy for brann eller for høy temperatur.** Eksponering for flammer eller temperaturer over 130 °C kan føre til eksplosjon.
- **Følg alle instruksjoner for lading, og ikke lad batteripakken eller verktøyet utenfor temperaturområdet som er angitt i instruksjonene.** Lading på feil måte eller ved temperaturer utenfor det angitte området kan påføre batteriet skade og øke faren for brann.

## Service

- **La en kvalifisert tekniker/reparatør utføre service, og gjør eventuelle utskiftninger kun med identiske reservedeler.** Dette sikrer at elektroverktøyets sikkerhet opprettholdes.
- **Utfør aldri service på skadede batteripakker.** Service av batteripakker skal kun utføres av produsenten eller autoriserte serviceleverandører.

## Bruk alltid sunn fornuft

Det er umulig å dekke alle de tenkelige situasjonene som kan oppstå. Vær alltid forsiktig og bruk sunn fornuft. Unngå situasjoner du ikke føler deg tilstrekkelig kvalifisert for. Hvis du etter å ha lest disse instruksjonene fortsatt føler deg usikker vedrørende bruken, skal du rådføre deg med en ekspert før du fortsetter.



**ADVARSEL:** La aldri barn bruke eller oppholde seg i nærheten av maskinen. Siden maskinen er lett å starte, kan barn starte den hvis de ikke holdes under oppsyn. Dette kan medføre risiko for alvorlig personskade. Batteriet må derfor kobles fra når maskinen ikke er under oppsyn.

## Generelle sikkerhetsinstruksjoner



**ADVARSEL:** Les de følgende advarselinstruksjonene før du bruker produktet.

- Ta alltid ut batteriet for å forhindre at produktet startes ved et uhell.

- Dette produktet er et farlig verktøy hvis du ikke er forsiktig, eller hvis du bruker produktet på feil måte. Dette produktet kan føre til alvorlig personskade eller død for operatøren eller andre.
- Ikke bruk produktet hvis det er endret fra den opprinnelige spesifikasjonen. Ikke endre en del av produktet uten godkjenning fra produsenten. Bruk bare reservedeler som er godkjent av produsenten. Personskade eller død er mulige konsekvenser av feil vedlikehold.
- Kontroller produktet før bruk. Se *Kontroll før start på side 280* og *Før du bruker produktet på side 286*. Ikke bruk et produkt som er skadet eller ikke fungerer som det skal. Utfør sikkerhetskontrollene, og følg vedlikeholds- og serviceinstruksjonene i denne bruksanvisningen.
- Barn må holdes under oppsyn for å sikre at de ikke leker med produktet. Produktet og/eller batteriet må aldri brukes av barn eller personer som ikke har fått opplæring i bruken av det. Aldersgrense for bruk kan være underlagt lokale bestemmelser.
- Oppbevar produktet på et låst sted for å hindre tilgang for barn eller personer som ikke er godkjent.
- Oppbevar produktet utilgjengelig for barn.
- Den opprinnelige konstruksjonen til produktet må ikke under noen omstendigheter endres uten tillatelse fra produsenten. Bruk alltid originalt tilbehør. Uautoriserte endringer og/eller tilleggsutstyr kan medføre alvorlige skader eller dødsfall for brukeren eller andre.

---

**Merk:** Bruken kan være regulert av nasjonal eller lokal lovgivning. Følg gjeldende lovgivning.

---

## Sikkerhetsinstruksjoner for drift



**ADVARSEL:** Les de følgende advarselinstruksjonene før du bruker produktet.

- **Ikke bruk produktet i dårlig vær, spesielt når det er fare for lyn og torden.** Dette øker faren for å bli truffet av lynnedslag.
- **Inspiser området grundig for dyreliv der maskinen skal brukes.** Dyreliv kan bli skadet av maskinen under bruk.
- **Kontroller området grundig der maskinen skal brukes, og fjern alle steiner, pinner, ledninger, bein og andre fremmedlegemer.** Gjenstander som slynges ut, kan føre til alvorlig skade.
- **Før du bruker maskinen, må du alltid kontrollere visuelt for å se at kapperen og kapperenheten ikke er skadet.** Skadede deler øker faren for personskade.
- **Hold dekslene på plass. Dekslene må være i god stand og være riktig montert.** Et deksel som er løst, skadet eller som ikke fungerer som det skal, kan føre til personskade.

- **Sørg for at det ikke kommer rusk inn i kjøleluftinntaket.** Blokkerte luftinntak og rusk kan føre til overoppheting eller brannfare.
- **Bruk vernebriller og hørselsvern.** Tilstrekkelig verneutstyr reduserer personskader.
- **Bruk alltid skisikkert og beskyttende fottøy når du bruker maskinen. Du må ikke være barbeint eller bruke åpne sandaler når du bruker maskinen.** Dette reduserer faren for skade på føttene fra kontakt med kutteren når den er i bevegelse.
- **Bruk alltid klær som dekker brukerens ben, for eksempel bukser, når du bruker maskinen.** Kontakt med kapperen eller tråden når disse er i bevegelse, kan føre til personskade.
- **Hold tilskuere på avstand når du bruker maskinen.** Objekter som slynges ut, kan føre til alvorlig personskade.
- **Ikke bruk maskinen over hoftehøyde.** Dette bidrar til å hindre utilsiktet kontakt med kutteren, og gir bedre kontroll over maskinen i uventede situasjoner.
- **Vær forsiktig når du bruker maskinen i vått gress. Gå, ikke løp.** Dette reduserer faren for å skli og falle, som kan føre til personskade.
- **Ikke bruk maskinen i svært bratte skråninger.** Dette reduserer risikoen for å miste kontrollen, skli og falle, som kan føre til personskade.
- **Når du arbeider i skråninger, må du alltid stå støtt, alltid arbeide på tvers av skråningen, aldri opp eller ned, og være svært forsiktig når du skifter retning.** Dette reduserer risikoen for å miste kontrollen, skli og falle, som kan føre til personskade.
- **Hold alle strømledninger og kabler unna klippeområdet.** Ledninger eller kabler kan være skjult i hekker og busker, og du kan risikere å kutte eller skade dem ved et uhell.
- **Hold alle deler av kroppen borte fra trimmerkniven eller trimmertråden i bevegelse. Ikke fjern materiale fra maskinen før den er koblet fra strømkilden.** Trimmerkniven eller -tråden kan føre til alvorlig personskade når den er i bevegelse.
- **Bær maskinen med maskinen slått av og på avstand fra kroppen.** Riktig håndtering av maskinen reduserer sannsynligheten for utilsiktet kontakt med en trimmerkniiv eller -tråd i bevegelse.
- **Bruk bare reserve-skjærehoder og -trimmerkniiver eller -tråder som er spesifisert av produsenten. Ikke bytt ut trimmerkniivene eller -linjene med metalltråder eller -blader.** Feil reservedeler kan føre til tap av kontroll, ødeleggelse og personskader.

## Personlig verneutstyr



**ADVARSEL:** Les de følgende advarselinstruksjonene før du bruker produktet.

- Benytt alltid godkjent verneutstyr når du bruker produktet. Verneutstyr kan aldri fullstendig forhindre skade, men det reduserer skadeomfanget hvis

ulykken inntreffer. Spør forhandleren din om hjelp til å velge riktig utstyr.

- Bruk godkjent hørselsvern.

(Fig. 17)

- Bruk godkjent øyevern. Ved bruk av visir skal det også brukes godkjente vernebriller. Godkjente vernebriller er slike som tilfredsstiller standard ANSI Z87.1 for USA eller EN 166 for EU-land.

(Fig. 18)

- Bruk hansker når det er nødvendig, for eksempel når du fester, undersøker eller rengjør skjærestyret.

(Fig. 19)

- Bruk verne støvler med ståltå og sklisikre såler.

(Fig. 20)

- Bruk klær av et slitesterkt materiale. Bruk alltid tykke langbukser og lange ermer. Unngå bruk av altfor vide klær som lett henger seg fast i kvister og grener. Ikke bruk smykker, korte bukser eller sandaler. Ikke gå med bare føtter. Sett håret opp over skuldernivå.

- Ha førstehjelpsutstyr i nærheten.

(Fig. 21)

## Sikkerhetsutstyr på produktet



**ADVARSEL:** Les de følgende advarselinstruksjonene før du bruker produktet.

I dette avsnittet forklares produktets sikkerhetsfunksjoner, hvilken funksjon det har, og hvordan man utfører kontroll og vedlikehold for å være sikker på at det fungerer. Se bruksanvisningen under overskriften *Innledning på side 279* for å finne ut hvor disse delene er plassert på produktet.

Levetiden til produktet kan forkortes og risikoen for ulykker kan øke dersom produktvedlikeholdet ikke utføres på riktig måte, og dersom service eller reparasjoner ikke er fagmessig utført. Hvis du trenger ytterligere informasjon, kan du kontakte nærmeste servicesenter.



**ADVARSEL:** Bruk aldri et produkt med skader på sikkerhetsutstyret. Produktets sikkerhetsutstyr skal kontrolleres og vedlikeholdes som beskrevet i dette avsnittet. Hvis produktet ikke består alle kontrollene, må serviceverksted oppsøkes for reparasjon.



**OBS:** All service og reparasjon av maskinen krever spesialutdanning. Dette gjelder særlig maskinens sikkerhetsutstyr. Hvis maskinen ikke består alle kontrollene som er oppgitt nedenfor, må du oppsøke et serviceverksted. Kjøp av våre produkter

garanterer at du kan få utført en fagmessig reparasjon og service. Hvis maskinen ikke er kjøpt hos en av våre servicefaghandlere, så spør dem etter nærmeste serviceverksted.

### Slik kontrollerer du tastaturet

1. Trykk på og hold inne start/stopp-knappen (A). (Fig. 22)
  - a) Produktet er slått på når LED-lampen (B) lyser.
  - b) Produktet er slått av når LED-lampen (B) er slukket.
2. Se *Tastatur på side 289* hvis varselampen (C) lyser eller blinker.

### Slik kontrollerer du kraftutløserperren

Kraftutløserperren forhindrer at produktet startes ved et uhell. Når du trykker på kraftutløserperren (A), utløses kraftutløseren (B). Når du slipper håndtaket, går kraftutløseren og kraftutløserperren tilbake til utgangsposisjonene. (Fig. 23)

1. Kontroller at kraftutløseren er låst når kraftutløserperren står i utgangsstillingen. (Fig. 24)
2. Skyv kraftutløseren, og kontroller at den går tilbake til utgangsstillingen når du slipper den. (Fig. 25)
3. Kontroller at kraftutløseren og kraftutløserperren kan bevege seg fritt, og at retur fjæren fungerer som den skal. (Fig. 26)
4. Start produktet. Se *Slik starter du produktet på side 287*.
5. Gi full gass.
6. Slipp kraftutløseren, og sjekk at skjæreutstyret stanser helt.

### Slik kontrollerer du beskyttelsen for skjæreutstyret



**ADVARSEL:** Ikke bruk skjæreutstyr uten en godkjent og korrekt festet beskyttelse. Bruk alltid anbefalt beskyttelse for skjæreutstyr for det skjæreutstyret du bruker. Se *Tekniske data på side 291*. Hvis feil eller defekt beskyttelse for skjæreutstyr monteres, kan dette forårsake alvorlig personskade.

Beskyttelsen for skjæreutstyret stopper gjenstander som kastes ut i retning av brukeren. Den forhindrer også skader som kan oppstå hvis du berører skjæreutstyret.

1. Stopp motoren.
2. Utfør en visuell sjekk etter skader, for eksempel sprekker.
3. Skift ut beskyttelsen for skjæreutstyret hvis den er skadet.

## Klippeutstyr

Velg riktig skjæreutstyr, og utfør vedlikehold på skjæreutstyret for å

- oppnå maksimal skjærekapasitet
- forlenge levetiden til skjæreutstyret



**ADVARSEL:** Bruk bare skjæreutstyr sammen med den skjermen vi anbefaler! Se *Tekniske data på side 291*. Følg anvisningene for skjæreutstyret for å finne riktig måte å sette inn trimmertråd på og informasjon om valg av riktig trimmertråddiameter.



**ADVARSEL:** Skadet skjæreutstyr kan øke risikoen for ulykker.



**ADVARSEL:** Stans alltid motoren før du foretar noe som helst arbeid på skjæreutstyret. Skjæreutstyret fortsetter å rotere når du slipper gasshåndtaket. Kontroller at skjæreutstyret har stanset helt, og koble fra tennpluggen før du begynner noe arbeid på det.

### Trimmerhode



**ADVARSEL:** Pass alltid på at trimmertråden vikles hardt og jevnt rundt trommelen, slik at skadelige vibrasjoner forhindres.

(Fig. 27)

- Bruk bare anbefalte trimmerhoder og trimmertråder.
- Bruk bare anbefalt skjæreutstyr.
- En mindre maskin krever små trimmerhoder og omvendt.
- Trimmertrådens lengde er viktig. En lengre trimmertråd krever større motorstyrke enn en kort trimmertråd med samme diameter.
- Se etter at kniven som sitter på trimmerskjermen er intakt. Dette kutter trimmertråden til riktig lengde.
- Bløtlegg trimmertråden i vann i et par dager før bruk. Dette øker levetiden.

## Batterisikkerhet



**ADVARSEL:** Les de følgende advarselsinstruksjonene før du bruker produktet.

- Bruk bare batteriet i BLi-serien og 40-B-serien. Hvis du vil ha mer informasjon, kan du se *Tekniske data på side 291*. Batteriet er programvarekryptert.

- Bruk det oppladbare batteriet i BLi-serien og 40-B-serien som strømforsyning bare for de relaterte Husqvarna-produktene. For å unngå personskader må du ikke bruke batteriet som strømforsyning for andre enheter.
- Fare for elektrisk støt. Ikke la batteripolene komme i kontakt med nøkler, mynter, skruer eller andre metallgjenstander. Dette kan føre til kortslutning av batteriet.
- Ikke bruk ikke-oppladbare batterier.
- Ikke sett gjenstander inn i luftåpningene til batteriet.
- Hold batteriet unna sollys, varme og åpen ild. Batteriet kan forårsake forbrenninger og/eller kjemiske forbrenninger.
- Hold batteriet unna regn og fuktighet.
- Hold batteriet unna mikrobølger og høyt trykk.
- Ikke prøv å demontere eller ødelegge batteriet.
- Hvis batteriet lekker, må væsken ikke komme i kontakt med hud eller øyne. Hvis du har berørt væsken, må du rengjøre området med store mengder vann og såpe og oppsøke legehjelp. Unngå å gni hvis du får væske i øynene. Skyll øynene med vann i minst 15 minutter, og oppsøk legehjelp.
- Bruk batteriet i temperaturer mellom  $-10\text{ °C}$  ( $14\text{ °F}$ ) og  $40\text{ °C}$  ( $114\text{ °F}$ ).
- Ikke rengjør batteriet eller batteriladeren med vann. Se *Slik rengjør du produktet, batteriet og batteriladeren på side 289*.
- Ikke bruk et defekt eller skadet batteri.
- Oppbevar batteriene unna metallgjenstander, for eksempel spikre, skruer og smykker.
- Oppbevar batteriet utilgjengelig for barn.

## Sikker bruk av batteriladeren



**ADVARSEL:** Les de følgende advarselsinstruksjonene før du bruker produktet.

- Fare for elektrisk støt eller kortslutning hvis sikkerhetsinstruksjonene ikke følges.
- Ikke bruk andre ladere enn den som ble levert med produktet. Bruk bare QC80- og 40-C80-ladere når du lader utbyttable batterier i BLi- og 40-B-serien.
- Ikke prøv å demontere batteriladeren.
- Ikke bruk en defekt eller skadet batterilader.
- Ikke løft batteriladeren etter strømledningen. For å koble laderen fra stikkontakten drar du i støpselet. Ikke dra i ledningen.

- Hold alle ledninger og skjøteledninger borte fra vann, olje og skarpe kanter. Pass på at kabelen ikke kommer i klem mellom objekter, for eksempel dører, gjerder eller lignende.
- Ikke bruk batteriladeren i nærheten av brennbare materialer eller materialer som kan forårsake korrosjon. Kontroller at batteriladeren ikke er tildekket. Trekk ut støpselet til batteriladeren hvis det oppstår røyk eller brann.
- Bare lad batteriet innendørs på et sted med god luftsirkulasjon og som er beskyttet mot direkte sollys. Ikke lad batteriet utendørs. Ikke lad batteriet i fuktige omgivelser.
- Bare bruk batteriladeren i temperaturer mellom  $5\text{ °C}$  ( $41\text{ °F}$ ) og  $40\text{ °C}$  ( $104\text{ °F}$ ). Bruk laderen i godt ventilerte, tørre og støvfrie omgivelser.
- Ikke sett gjenstander inn i luftåpningene til laderen.
- Berør aldri ladekontaktene med metallgjenstander. Dette kan kortslutte batteriladeren.
- Bruk bare godkjente stikkontakter som ikke er skadet. Kontroller at ledningen til batteriladeren ikke er skadet. Hvis skjøteledninger brukes, må du passe på at skjøteledningene ikke er skadet.
- Ikke lad engangsbatterier i batteriladerne.

## Sikkerhetsinstruksjoner for vedlikehold



**ADVARSEL:** Les de følgende advarslene før du utfører vedlikehold på produktet.

- Fjern batteriet før du utfører vedlikehold, andre kontroller eller monterer produktet.
- Operatøren må bare utføre vedlikehold og service som refereres til i denne bruksanvisningen. Henvend deg til forhandleren for mer omfattende vedlikehold og service.
- Ikke rengjør batteriet eller batteriladeren med vann. Sterke vaskemidler kan skade platen.
- Hvis du ikke utfører vedlikehold, minsker levetiden til produktet og risikoen for ulykker øker.
- Det kreves spesiell opplæring for alt vedlikehold og reparasjonsarbeid, spesielt for sikkerhetsutstyret på produktet. Hvis ikke alle kontrollene i denne bruksanvisningen er godkjent etter at du har gjort vedlikehold, må du ta kontakt med serviceforhandleren. Vi garanterer at fagmessig reparasjon og service er tilgjengelig for produktet.
- Bruk bare originalreservedeler.

## Montering

### Innledning



**ADVARSEL:** Les og forstå kapittelet om sikkerhet før du monterer produktet.

### Slik fester du trimmerskjermen

1. Sett trimmerdekslet mot motorhuset. (Fig. 28).
2. Sett inn bolten gjennom motorhuset og trimmerdekslet. (Fig. 29)
3. Trekk til bolten.

### Slik monterer du trimmerhodet

1. Vri den utgående akselen rundt til hullet i medbringerhjulet stemmer overens med hullet i girhuset.
2. Sett låsepinnen inn i hullet slik at riggrøret låses.
3. Drei trimmerhodet mot urviseren. (Fig. 30)

### Slik monterer du loophåndtaket

1. Sett skruen inn i loophåndtaket. (Fig. 31)
2. Fest loophåndtaket til riggrøret.

3. Trekk til skruene.
4. Juster loophåndtaket for å finne riktig arbeidsstilling. Se *Slik justerer du loophåndtaket og teleskopriggrøret på side 287.*

### Slik monterer du plantevernet

1. Fest plantevernet i hullene på motorhuset. (Fig. 32)
2. Sørg for at plantevernet kan bevege seg fritt forover og bakover. (Fig. 33)

### Slik monterer du batteriladeren (40-C80) på veggen



**OBS:** Ikke bruk en elektrisk skrutrekker til å montere batteriladeren på veggen. En elektrisk skrutrekker kan skade batteriladeren.

1. Monter batteriladeren på veggen med de to skruene (B). Bruk veggpluggene (A) hvis det er nødvendig. (Fig. 34)
2. Monter de to skruerullpluggene (C).
3. Koble strømledningen til batteriladeren og en stikkontakt.

## Drift

### Innledning



**ADVARSEL:** Les og forstå kapittelet om sikkerhet før du bruker produktet.

### Før du bruker produktet

- Undersøk arbeidsområdet for å gjøre deg kjent med terrenget. Undersøk skråningen på bakken og hvorvidt det finnes hindringer som steiner, greiner og grøfter.
- Utfør en generell inspeksjon av produktet.
- Utfør sikkerhetskontrollene, vedlikeholdet og servicen som er angitt i denne bruksanvisningen.
- Kontroller motoren med tanke på smuss eller sprekker. Bruk en børste til å fjerne gress og løv fra motoren. Bruk hansker når det er nødvendig.
- Undersøk trimmerhodet og beskyttelsen for skjærestyret for skader eller sprekker. Bytt ut trimmerhodet og beskyttelsen for skjærestyret hvis de har blitt utsatt for slag, eller hvis de har sprekker.
- Kontroller at alle mutre og skruer er trukket til.
- Kontroller at alt av deksler, beskyttelser, håndtak og skjærestyr er riktig festet og ikke er skadet, før du starter produktet.

### Batteri



**ADVARSEL:** Les og forstå kapittelet om sikkerhet før du bruker batteriet. Les og forstå bruksanvisningen for batteriet og batteriladeren.

Batteriet og batteriladeren må oppbevares i riktig omgivelsestemperatur.

	Omgivelsestemperatur
Bruk av batteriet	5 °C–40 °C / 41 °F–104 °F
Lade batteriet	5 °C–40 °C / 41 °F–104 °F

### Batteristatus

Displayet viser ladestatusen og eventuelle problemer med batteriet.

(Fig. 35)

LED-indikator	Batteristatus (ladestatus)	
	BLi10, BLi20	40-B70, 40-B140
4 LED-lamper lyser	Ikke tilgjengelig	Batteriet er 76–100 % ladet.
3 LED-lamper lyser.	Batteriet er 76–100 % ladet.	Batteriet er 51–75 % ladet.
2 LED-lamper lyser.	Batteriet er 51–75 % ladet.	Batteriet er 26–50 % ladet.
1 LED-lampe lyser.	Batteriet er 26–50 % ladet.	Batteriet er 6–25 % ladet.
1 LED-lampe blinker.	Batteriet er 0–25 % ladet.	Batteriet er 0–5% ladet.

### Slik lader du batteriet

Hvis det er første gang du bruker batteriet, må du lade det. Et nytt batteri er bare 30 % ladet.



**OBS:** Koble batteriladeren til et strømuttak med den spenningen og frekvensen som er angitt på typeskiltet.

Batteriet lades ikke hvis batteritemperaturen er på over 50 °C / 122 °F.

1. Koble strømledningen til batteriladeren.
2. Koble batteriladeren til en jordet stikkontakt. Ladelampen blinker én gang. (Fig. 36)
3. Koble batteriet til batteriladeren. Ladelampen slås på. Lad batteriet i maks. 24 timer. (Fig. 37)
4. Trykk på batteriindikatorknappen. Hvis alle LED-indikatorene lyser, er batteriet fulladet.
5. Trekk i støpselet for å ta batteriladeren ut av strømuttaket. Ikke dra i ledningen.
6. Fjern batteriet fra batteriladeren.

### Slik kobler du batteriet til produktet



**ADVARSEL:** Bruk bare originale Husqvarna-batterier i produktet.

1. Lad batteriet helt opp.
2. Skyv batteriet inn i batteriholderen på produktet. Batteriet låses på plass når du hører et klikk. (Fig. 38)



**OBS:** Hvis det er vanskelig å få batteriet inn i batteriholderen, er dette fordi du prøver å sette det inn på feil måte. Dette kan skade produktet.

### Slik starter du produktet

1. Trykk på og hold start/stopp-knappen inne til den grønne LED-lampen tennes. (Fig. 39)
2. Trykk på kraftutløserpennen og kraftutløseren. Skjæreutstyret begynner å rotere.

### Slik justerer du loophåndtaket og teleskopriggrøret

1. Løsne låsehåndtaket, og juster loophåndtaket til ønsket posisjon. (Fig. 40)
2. Lukk låsehåndtaket.
3. Løsne spaken på riggrøret. (Fig. 41)
4. Juster riggrøret til nødvendig lengde. Sørg for at du kan se trekanten på akselen. (Fig. 42)
5. Lukk spaken, og trekk til skruen.

**Merk:** Ikke fest loophåndtaket på varselmerkene på riggrøret.

### Slik bruker du SavE-funksjonen

Dette produktet har en strømsparingsfunksjon, SavE.

**Merk:** SavE-funksjonen reduserer ikke skjærekraften til produktet.

1. Trykk på SavE-knappen på tastaturet.
2. Kontroller at den grønne LED-lampen tennes.
3. Trykk på SavE-knappen på nytt for å koble ut funksjonen. Den grønne LED-lampen slukkes. (Fig. 43)

### Funksjon for automatisk avslåing

Produktet har en avslåingsfunksjon som stopper produktet hvis produktet ikke brukes. Den grønne LED-lampen for start/stopp slukkes, og produktet stopper etter 180 sekunder.

### Slik bruker du produktet

#### Trimme gress

1. Hold trimmerhodet like over bakken, og vipp det lett. Ikke skyv trimmertråden ned i gresset. (Fig. 44)
2. Reduser lengden på trimmertråden med 10–12 cm.
3. Reduser motorens turtall for å redusere faren for å skade planter.

4. Bruk 80 % gass når du klipper gresset i nærheten av objekter. (Fig. 45)

### Slik rydder du gress

1. Hold trimmerhodet over bakken.
2. Skrånstill trimmerhodet.
3. Klipp med enden av trimmertråden rundt objekter i arbeidsområdet.



**OBS:** Klipp gress. Hvis trimmertråden treffer andre ting, øker slitasjen på trimmertråden.

### Slik klipper du gress

1. Sørg for at trimmertråden er parallell med bakken når du klipper gresset. (Fig. 46)
2. Ikke dytt trimmerhodet ned i bakken. Dette kan skade produktet.
3. Flytt produktet fra side til side når du klipper gresset. Bruk fullt turtall. (Fig. 47)

### Slik samler du opp gresset

Luftstrømmen fra den roterende trimmertråden kan brukes til å fjerne gress fra et bestemt område.

1. Hold trimmerhodet og trimmertråden parallellt med og over bakken.
2. Gi full gass.
3. Beveg trimmerhodet fra side til side, og samle opp gresset.



**ADVARSEL:** Rengjør trimmerhodets deksel hver gang du monterer en ny trimmertråd for å forhindre ubalanse og vibrasjon i håndtakene. Utfør også en kontroll av de andre delene på trimmerhodet, og rengjør det om nødvendig.

### Slik stopper du produktet

1. Slipp kraftutløseren og kraftutløserperren.
2. Trykk på start/stopp-knappen til den grønne LED-lampen slukkes.
3. Trykk på utløserknappene på batteriet, og ta batteriet ut av produktet. (Fig. 48)

### Slik skifter du trimmertråd

Se siste side i denne bruksanvisningen.

## Vedlikehold

### Innledning



**ADVARSEL:** Les og forstå kapittelet om sikkerhet før du utfører vedlikehold på produktet.

Under følger en liste over vedlikeholdstrinnene som må utføres på produktet. Se *Vedlikehold på side 288* for mer informasjon.

### Vedlikeholdsskjema



**ADVARSEL:** Fjern batteriet før du utfører vedlikehold.

Vedlikehold	Daglig	Ukentlig	Månedlig
Rengjør de utvendige delene av produktet med en tørr klut. Du må ikke bruke vann.	X		
Kontroller at start/stopp-knappen fungerer som den skal, og at den ikke er skadet.	X		
Kontroller at kraftutløseren og kraftutløserperren fungerer riktig med hensyn til sikkerhet.	X		
Pass på at alle kontrollene fungerer og ikke er skadet.	X		
Hold håndtakene tørre, rene og frie for olje og fett.	X		
Kontroller at skjærestyret ikke er skadet. Skift ut skjærestyret hvis det er skadet.	X		



Vedlikehold	Daglig	Ukentlig	Månedlig
Kontroller at skjærestyrsbeskyttelsen ikke er skadet. Skift ut beskyttelsen for skjærestyret hvis den er skadet.	X		
Kontroller at skruer og mutre sitter stramt.	X		
Kontroller at utløserknappene på batteriet fungerer og låser batteriet i produktet.	X		
Kontroller at batteriladeren ikke er skadet, og at den fungerer som den skal.	X		
Kontroller at batteriet ikke er skadet.	X		
Kontroller at batteriet er ladet.	X		
Kontroller at batteriladeren ikke er skadet.	X		
Undersøk alle kabler, koblinger og forbindelser. Pass på at de er rene og ikke er skadet.		X	
Kontroller forbindelsene mellom batteriet og produktet. Kontroller forbindelsen mellom batteriet og batteriladeren.			X

### Slik kontrollerer du batteriet og batteriladeren

1. Kontroller batteriet for skader, for eksempel sprekker.
2. Kontroller batteriladeren for skader, for eksempel sprekker.
3. Kontroller at strømledningen til batteriladeren ikke er skadet, og at det ikke er sprekker i den.

### Slik rengjør du produktet, batteriet og batteriladeren

1. Rengjør produktet med en tørr klut etter bruk.
2. Rengjør batteriet og batteriladeren med en tørr klut. Hold batterisporene rene.

3. Kontroller at terminalene på batteriet og batteriladeren er rene før batteriet settes i batteriladeren eller produktet.

### Slik undersøker og skifter du trimmerhodet

1. Kontroller trimmerhodet for skader og sprekker.
2. Dra ut trådførereneheten for trimmertråden.
3. Ta av trimmerhodet. (Fig. 49)
4. Bytt ut trimmerhodet.
5. Monter trimmerhodet. Se *Slik monterer du trimmerhodet på side 286*.

## Feilsøking

### Tastatur

LED-skjerm	Mulige feil	Mulige løsninger
LED-feillampen blinker.	Overbelastning	Skjærestyret beveger seg ikke fritt. Løsne skjærestyret.
	Temperaturavvik	La produktet avkjøles.
Produktet starter ikke.	Trykk på kraftutløseren og startknappen samtidig.	Slipp kraftutløseren, og stans produktet.
LED-feillampen tennes med rødt lys.	Det er nødvendig å utføre service på produktet.	Ta kontakt med serviceforhandleren din.

## Batteri

LED-display	Mulige feil	Mulig handling
Den grønne LED-lampen blinker.	Lav batterispenning	Lad batteriet.
LED-feillampen blinker.	Temperaturavvik	Bruk batteriet i temperaturer mellom $-10^{\circ}\text{C}$ ( $14^{\circ}\text{F}$ ) og $40^{\circ}\text{C}$ ( $104^{\circ}\text{F}$ ).
	For sterk spenning	Kontroller at nettspenningen samsvarer med den som er angitt på typeskiltet på produktet. Fjern batteriet fra batteriladeren.
LED-feillampen er tent.	For stor forskjell mellom cellene (1 V).	Snakk med serviceforhandleren din.

## Batterilader

Problem	Mulige feil	Mulig løsning
Ladelampen lyser rødt.	Permanent feil med batteriladeren.	Ta kontakt med forhandleren din.
Ladelampen blinker grønt.	Temperaturavvik – Batteriet er for kaldt eller for varmt for bruk eller lading.	La batteriet avkjøles, eller varm det opp. Når batteriet har riktig temperatur, kan det brukes eller lades igjen. Bruk batteriladeren i omgivelsestemperaturer på mellom $5^{\circ}\text{C}$ ( $41^{\circ}\text{F}$ ) og $40^{\circ}\text{C}$ ( $104^{\circ}\text{F}$ ).
Ladelampen blinker rødt.	Defekt batteri.	Ta kontakt med forhandleren din.

---

## Transport, oppbevaring og avhending

---

### Transport og oppbevaring

- De medfølgende litiumionbatteriene samsvarer med kravene i loven om farlige varer.
- Følg de spesifikke kravene på emballasje og etiketter for kommersiell transport, inkludert av tredjeparter og fraktleverandører.
- Snakk med en person med spesiell opplæring i farlige materialer før du sender produktet. Følg alle gjeldende nasjonale forskrifter.
- Bruk tape på åpne kontakter når du plasserer batteriet i en pakke. Pakk batteriet stramt for å hindre bevegelse.
- Fjern batteriet ved lagring og transport.
- Oppbevar batteriet og batteriladeren på et sted som er tørt og fri for fukt og frost.
- Batteriet må ikke oppbevares på steder der det kan forekomme statisk elektrisitet. Ikke oppbevar batteriet i en metallkasse.

- Oppbevar batteriet i temperaturer mellom  $5^{\circ}\text{C}$  ( $41^{\circ}\text{F}$ ) og  $25^{\circ}\text{C}$  ( $77^{\circ}\text{F}$ ) og unna direkte sollys.
- Oppbevar batteriladeren i temperaturer mellom  $5^{\circ}\text{C}$  ( $41^{\circ}\text{F}$ ) og  $45^{\circ}\text{C}$  ( $113^{\circ}\text{F}$ ) og unna direkte sollys.
- Bruk batteriladeren bare i temperaturer mellom  $5^{\circ}\text{C}$  ( $41^{\circ}\text{F}$ ) og  $40^{\circ}\text{C}$  ( $104^{\circ}\text{F}$ ).
- Lad opp batteriet til 30–50 % før du setter det til oppbevaring i lange perioder.
- Oppbevar batteriladeren på et sted som er lukket og tørt.
- Hold batteriet og batteriladeren separert under oppbevaring. Ikke la barn eller andre uautoriserte personer røre utstyret. Oppbevar utstyret i et område som kan låses.
- Rengjør produktet og utfør en fullstendig service før du setter det til oppbevaring i lang tid.
- Bruk transportbeskyttelsen på produktet for å unngå personskader eller skade på produktet under transport og oppbevaring.
- Fest produktet på en sikker måte under transport.

## Kassering av batteri, batterilader og produktet

Symbolene på produktet eller produktemballasjen angir at dette produktet ikke skal håndteres som restavfall. Resirkuler det på et gjenvinningsanlegg for elektrisk og

elektronisk utstyr. Dette bidrar til å forhindre miljøskader og personskader.

Ta kontakt med lokale myndigheter, det lokale renovasjonsvesenet eller forhandleren hvis du ønsker mer informasjon om hvordan produktet ditt skal gjenvinnes.

---

## Tekniske data

---

### Tekniske data

	<b>215iL</b>
<b>Motor</b>	
Motorstype	BLDC
Turtall på utgående aksel, o/min	6800
Klippebredde, mm	310
<b>Vekt</b>	
Vekt uten batteri, kg	2,9
<b>Støyutslipp</b> <sup>52</sup>	
Lydeffektnivå, målt dB (A)	90,5
Lydeffektnivå, garantert L <sub>WA</sub> dB (A)	92
<b>Lydnivåer</b> <sup>53</sup>	
Ekvivalent lydtryknivå ved brukerens øre, målt i henhold til EN ISO 50636-2-91, dB(A)	74,9
<b>Vibrasjonsnivåer</b> <sup>54</sup>	
Vibrasjonsnivåer i håndtak, målt i henhold til EN50636-2-91, m/s <sup>2</sup>	4,5 / 2,7
Utstyrt med trimmerhode (original), foran/bak.	

### Godkjente batterier til produktet

Batteri	BLI10	BLI20	40-B70	40-B140
Type	Litium-ion	Litium-ion	Litium-ion	Litium-ion
Batterikapasitet, Ah	Se etiketten for batterikapasitet	Se etiketten for batterikapasitet	Se etiketten for batterikapasitet	Se etiketten for batterikapasitet

<sup>52</sup> Utslipp av støy til omgivelsene målt som lydeffekt (L<sub>WA</sub>) samsvarer med EF-direktiv 2000/14/EF. Forskjellen mellom garantert og målt lydeffekt er at garantert lydeffekt også omfatter spredning i måleresultatet og variasjoner mellom forskjellige produkter av samme modell, i henhold til direktivet 2000/14/EF.

<sup>53</sup> Rapporterte data for ekvivalent lydtryknivå for maskinen har en typisk statistisk spredning (standardavvik) på 2,5 dB(A).

<sup>54</sup> Rapporterte data for vibrasjonsnivå har en typisk statistisk spredning (standardavvik) på 1,5 m/s<sup>2</sup>.

Batteri	BLi10		BLi20		40-B70	40-B140
Nominell spenning, V	36	36,5	36	36,5	36	36
Vekt, lb/kg	0,7	0,7	1,2	1,2	0,8	1,25

### Godkjente batteriladere til produktet

Batterilader	QC80	40-C80
Nettspenning, V	100–240	100–240
Frekvens, Hz	50-60	50-60
Effekt, W	100	72
Utgangsspenning, V DC Ampere, A	36/2	43/1,6

---

## Tilbehør

---

### Godkjent tilbehør

Godkjent tilbehør	Type	Beskyttelse for skjærestyr, Art.nr.
Trimmerhode	R25B (Ø 2 mm tråd)	529 96 69-01

# Samsvarserklæring

## EU-samsvarserklæring

Vi, **Husqvarna AB**, SE-561 82 Huskvarna, Sverige, tlf.:  
+46 36 146500, erklærer på eget ansvar at produktet:

<b>Beskrivelse</b>	Batteridrevet gresstrimmer
<b>Merke</b>	Husqvarna
<b>Type/modell</b>	215iL
<b>ID</b>	Serienumre datert 2024 og senere

fullstendig overholder følgende EU-direktiver og  
-forskrifter:

Direktiv/regulering	Beskrivelse
2006/42/EF	«angående maskiner»
2014/30/EU	«om elektromagnetisk kompatibilitet»
2000/14/EF	«angående utslipp av støy til omgivelsene»
2011/65/EU	«om begrensning av bruk av visse farlige stoffer i elektrisk og elektronisk utstyr»

og at følgende standarder eller tekniske spesifikasjoner  
er anvendt: EN 60335-1:2012/A15:2021, EN  
50636-2-91:2014, EN IEC 63000:2018, EN IEC  
55014-1:2021; EN IEC 55014-2:2021.

Kontrollorgan: 0197 TÜV Rheinland LGA Products  
GmbH, Tillystraße 2, 90431 Nürnberg, Germany Har  
bekreftet samsvar med rådsdirektivet 2000/14/EF,  
prosedyre for overensstemmelsesvurdering: Vedlegg VI.

For informasjon som gjelder støyutslipp, kan du se  
*Tekniske data på side 291.*

Huskvarna, 2024-02-01



Claes Losdal, FoU-leder, Husqvarna AB  
Ansvarlig for teknisk dokumentasjon



## SPIS TREŚCI

Wstęp.....	293	Transport, przechowywanie i utylizacja.....	306
Bezpieczeństwo.....	295	Dane techniczne.....	307
Montaż.....	301	Akcesoria.....	308
Przeznaczenie.....	302	Deklaracja zgodności.....	309
Przegląd.....	304	Załącznik.....	454
Rozwiązywanie problemów.....	305		

## Wstęp

### Opis produktu

Husqvarna 215iL to akumulatorowa wykasarka do  
trawy z silnikiem elektrycznym.

Nieustannie prowadzone są prace w celu zwiększenia  
bezpieczeństwa użytkownika i wydajności pracy.  
Dodatkowe informacje można uzyskać w centrum  
serwisowym.

## Przeznaczenie

Urządzenie jest używane z niemetalowymi żyłkami, niemetalowymi strunami lub równoważnymi niemetalowymi elastycznymi elementami tnącymi. Nie używać urządzenia do innych zadań niż koszenie chwastów, trawy lub podobnych miękkich roślin.

## Przegląd produktu

(Rys. 1)

1. Głowica żyłkowa
2. Osłona osprzętu tnącego
3. Wałek
4. Regulacja wałka (teleskopowego)
5. Uchwyt pałukowy
6. Klawiatura
7. Wskaźnik ostrzegawczy klawiatury
8. Przełącznik start/stop
9. Przycisk SavE
10. Spust
11. Blokada spustu
12. Wskaźnik włączonego zasilania i ostrzegawczy
13. Złącze
14. Ładowarka do akumulatora 40-C80
15. Ładowarka do akumulatora QC80
16. Przewód zasilający
17. Pręt odsuwający rośliny
18. Wskaźnik ostrzegawczy akumulatora
19. Stan akumulatora
20. Przycisk wskaźnika akumulatora
21. Przyciski odłączania akumulatora
22. Akumulator
23. Narzędzie wielofunkcyjne
24. Instrukcja obsługi

## Symbole znajdujące się na produkcie

- (Rys. 2) OSTRZEŻENIE: Urządzenie może spowodować poważne obrażenia ciała lub śmierć operatora lub innych osób. Należy zachować ostrożność i prawidłowo korzystać z urządzenia.
- (Rys. 3) Przed przystąpieniem do pracy należy dokładnie i ze zrozumieniem zapoznać się z treścią niniejszej instrukcji obsługi.
- (Rys. 4) Stosować środki ochrony oczu.
- (Rys. 5) Chronić przed deszczem.
- (Rys. 6) Etykieta emisji hałasu do środowiska zgodna z dyrektywami oraz przepisami UE i Wielkiej Brytanii (a także prawem Nowej Południowej Walii). Dane dotyczące emisji hałasu można znaleźć

**Uwaga:** Przepisy państwowe lub lokalne mogą określać limit zastosowania produktu.

na etykiecie maszyny oraz w rozdziale Dane techniczne.

- (Rys. 7) Osoby postronne nie mogą znajdować się w pobliżu urządzenia.
- (Rys. 8) Przed przystąpieniem do konserwacji odłączyć akumulator.
- (Rys. 9) Tego produktu ani opakowania nie można traktować jak odpadów domowych. Należy poddawać je recyklingowi w zatwierdzonym punkcie zbiórki sprzętu elektrycznego i elektronicznego.
- (Rys. 10) Urządzenie jest zgodne z odpowiednimi dyrektywami UE.
- (Rys. 11) Urządzenie jest zgodne z przepisami obowiązującymi w Wielkiej Brytanii.
- (Rys. 12) Prąd stały.

yyyywwxxxx

Tabliczka znamionowa lub laserowy nadruk zawiera numer seryjny. **yyyy** to rok produkcji, a **ww** oznacza tydzień produkcji.

## Symbole na akumulatorze i/lub na ładowarce.

- (Rys. 16) Należy poddać urządzenie recyklingowi w punkcie zbiórki sprzętu elektrycznego i elektronicznego. (Dotyczy tylko Europy)
- (Rys. 13) Bezpieczny transformator.
- (Rys. 14) Ładowarkę używać i przechowywać wyłącznie wewnątrz.
- (Rys. 15) Podwójna izolacja.

## Uszkodzenie produktu

Nie odpowiadamy za uszkodzenia naszego produktu, w przypadku gdy:

- produkt jest nieprawidłowo naprawiany.
- produkt jest naprawiany przy użyciu części nie pochodzących od producenta lub niezatwierdzonych przez producenta.
- produkt jest wyposażony w akcesoria nie pochodzące od producenta lub niezatwierdzone przez producenta.
- produkt nie jest naprawiany w autoryzowanym centrum serwisowym lub przez autoryzowaną placówkę.

## Bezpieczeństwo

### Definicje dotyczące bezpieczeństwa

Ostrzeżenia, uwagi i informacje są używane do zwrócenia uwagi na szczególnie ważne sekcje instrukcji obsługi.



**OSTRZEŻENIE:** Jest używane, gdy istnieje ryzyko poważnych obrażeń, śmierci operatora lub uszkodzenia otoczenia w wyniku nieprzestrzegania instrukcji obsługi.



**UWAGA:** Jest używane, gdy istnieje ryzyko uszkodzenia materiałów lub urządzenia w wyniku nieprzestrzegania instrukcji obsługi.

**Uwaga:** Stosuje się, aby przekazać więcej informacji, które są przydatne w danej sytuacji.

### Ogólne ostrzeżenia dotyczące bezpieczeństwa podczas korzystania z narzędzi elektrycznych



**OSTRZEŻENIE:** Przeczytać dokładnie wszystkie ostrzeżenia i instrukcje. Niezastosowanie się do ostrzeżeń i instrukcji może spowodować porażenie prądem i/lub poważne obrażenia.

**Uwaga:** Należy zachować wszystkie ostrzeżenia i instrukcje, aby móc skorzystać z nich w przyszłości. Termin „elektronarzędzie” używany w ostrzeżeniach dotyczy narzędzia zasilanego prądem z sieci elektrycznej (przewodowego) lub narzędzia zasilanego z akumulatora (bezprowadowego).

### Kontrola przed uruchomieniem

- Zawsze wyjmować akumulator, aby zabezpieczyć produkt przed przypadkowym uruchomieniem.
- Zawsze wyjmować akumulator przed wykonywaniem jakichkolwiek czynności konserwacyjnych na produkcie.
- Przed użyciem produktu i po każdym uderzeniu należy sprawdzić go pod kątem oznak zużycia lub uszkodzenia i w razie potrzeby naprawić.

- Dokonać inspekcji obszaru pracy. Usunąć wszystkie porzucane przedmioty, jak kamienie, szkło, gwoździe, druty, sznurki i inne, które mogą zostać odrzucone przez maszynę lub zaplątać się na przecinare lub jej osłonie.
- Sprawdzić, czy nie ma pęknięć lub zanieczyszczeń na silniku. Za pomocą szczotki oczyścić silnik z trawy i liści. Rękawic należy używać wtedy, kiedy to jest konieczne.
- Sprawdzić, czy głowica żyłkowa jest przytwierdzona do wykaszarki.
- Sprawdzić, czy produkt działa prawidłowo. Sprawdzić, czy dokręcone są wszystkie śruby i nakrętki.
- Skontrolować, czy głowica żyłkowa i osłona przeciwoodpryskowa nie są uszkodzone ani pęknięte. Głowicę żyłkową lub osłonę przeciwoodpryskową, które zostały uderzone lub na których występują pęknięcia należy wymienić na nowe. Zawsze stosować osłonę zalecaną dla danego osprzętu tnącego. Patrz rozdział Dane techniczne.
- Użytkownik produktu jest zobowiązany dopilnować, aby podczas pracy żadne osoby postronne ani zwierzęta nie znajdowały się w odległości mniejszej niż 15 m. Jeśli w tym samym miejscu pracuje kilku użytkowników, odległość między nimi powinna wynosić co najmniej 15 m.
- Przed użyciem maszyny dokonaj jej ogólnego przeglądu. Patrz plan konserwacji.
- Użytkowanie regulują przepisy państwowe lub lokalne. Należy przestrzegać odpowiednich przepisów

### Bezpieczeństwo miejsca pracy

- **Miejsce pracy powinno być czyste i dobrze oświetlone.** Miejsca halaśliwe lub ciemne sprzyjają wypadkom.
- **Nie należy używać narzędzi elektrycznych w atmosferze wybuchowej, takiej jak w przypadku obecności cieczy palnych, gazów lub pyłów.** Narzędzia elektryczne wytwarzają iskry, które mogą spowodować zapłon pyłów lub oparów.
- **Podczas pracy z użyciem narzędzia elektrycznego należy trzymać dzieci i osoby przechodzące z daleka.** Odwrócenie uwagi może spowodować utratę kontroli nad narzędziem.

## Zasady bezpieczeństwa – elektryczność

- **Wtyczki narzędzi elektrycznych muszą odpowiadać gniazdom.** Zabrania się dokonywania przeróbek wtyczki. Nie należy stosować adapterów w przypadku uziemionych narzędzi elektrycznych. Nieprzerobione wtyczki i dopasowane gniazda pozwalają zredukować ryzyko porażenia prądem.
- **Należy unikać kontaktu ciała z powierzchniami uziemionymi, takimi jak rury, grzejniki, kuchenki i lodówki.** Uziemienie ciała powoduje zwiększenie ryzyka porażenia prądem.
- **Nie należy wystawiać narzędzi elektrycznych na działanie deszczu lub wilgoci.** Woda, która przedostanie się do narzędzia elektrycznego, zwiększa ryzyko porażenia elektrycznego.
- **Nie niszczyć przewodu. Nigdy nie korzystać z przewodu do przenoszenia, ciągnięcia lub odłączania narzędzia elektrycznego. Przewód należy utrzymywać z dala od źródeł ciepła, olejów, ostrych krawędzi lub ruchomych części.** Uszkodzone lub splecione kable zwiększają zagrożenie porażenia prądem.
- **Używając narzędzia elektrycznego na zewnątrz budynków, należy korzystać z odpowiedniego przedłużacza.** Stosowanie przewodu przeznaczonego do użytku na zewnątrz budynków pozwala ograniczyć ryzyko porażenia prądem.
- **Jeśli nieuniknione jest użycie narzędzia w warunkach dużej wilgotności, należy zastosować zasilanie chronione wyłącznikiem różnicowo-prądowym (RCD).** Korzystanie z wyłącznika różnicowo-prądowego (RCD) zmniejsza ryzyko porażenia prądem.

## Bezpieczeństwo osób

- **Używając narzędzi elektrycznych, należy zachować skupienie, obserwować wykonywane czynności i kierować się zdrowym rozsądkiem. Nie należy używać narzędzi elektrycznych, kiedy operator jest zmęczony lub pod wpływem działania narkotyków, alkoholu lub leków.** Moment nieuwagi podczas pracy z narzędziem elektrycznym może spowodować poważne obrażenia ciała.
- **Stosować środki ochrony osobistej. Należy zawsze stosować środki ochrony wzroku.** Sprzęt ochronny, taki jak maski, antypoślizgowe buty robocze, kask lub środki ochrony słuchu stosowane w odpowiednich warunkach pozwalają obniżyć ryzyko odniesienia obrażeń.
- **Należy zapobiec niezamierzonemu rozruchowi. Przed podłączeniem do źródła zasilania i/lub baterii, podnoszenia lub przenoszenia narzędzia, należy upewnić się, że przełącznik jest w pozycji WYŁ.** Przenoszenie narzędzi z palcem na przełączniku lub przenoszenie narzędzi pod napięciem, które mają przełącznik w pozycji włączone, sprzyja wypadkom.
- **Przed włączeniem narzędzia elektrycznego należy usunąć wszelkie klucze.** Klucz pozostawiony przy

części wirującej narzędzia może spowodować obrażenia ciała.

- **Nie należy się nadmiernie wyciągać. Przez cały czas należy zachowywać właściwe ustawienie stóp i równowagę.** Pozwala to na lepszą kontrolę narzędzia elektrycznego w sytuacjach nieprzewidzianych.
- **Należy odpowiednio się ubierać. Nie zakładać luźnej odzieży ani biżuterii. Włosy oraz ubranie należy trzymać z dala od elementów ruchomych.** Luźne ubranie, biżuteria lub długie włosy mogą zostać pochwycone przez elementy ruchome.
- **Jeśli dołączone jest wyposażenie służące do podłączenia urządzeń odprowadzających i gromadzących pył, należy zadbać o jego podłączenie i właściwe używanie.** Stosowanie urządzeń odprowadzających pył może ograniczyć zagrożenia związane z obecnością pyłu.
- **Częste używanie urządzeń nie zwalnia operatora z obowiązku zachowania czujności i przestrzegania zasad bezpieczeństwa podczas korzystania z produktu.** Nierozważne działanie może doprowadzić do poważnych obrażeń w ułamku sekundy.
- **Poziomy wibracji występujące podczas pracy, mogą różnić się od wartości zadeklarowanych, co jest zależne od sposobu używania narzędzia.** Operatorzy powinni zidentyfikować zagrożenia oraz zastosować środki ochrony osobistej tak, aby uzyskać odpowiednią ochronę (należy wziąć pod uwagę cały cykl operacyjny np. także czas, gdy urządzenie jest wyłączone lub pracuje na wolnych obrotach).

## Użytkowanie i konserwacja narzędzia elektrycznego

- **Nie należy wysilać nadmiernie narzędzia. Używać narzędzia elektrycznego dopasowanego do zastosowania.** Właściwie narzędzie zasilane pozwoli lepiej i bezpieczniej wykonać pracę, do której zostało przeznaczone.
- **Nie należy używać narzędzia elektrycznego, jeśli przełącznik nie może go włączyć lub wyłączyć.** Jeśli narzędzie zasilane nie może być kontrolowane za pomocą wyłącznika, jest ono niebezpieczne i musi być oddane do naprawy.
- **Przed dokonaniem jakichkolwiek regulacji, zmianą akcesoriów lub odłożeniem do przechowywania odłączyć wtyczkę od źródła zasilania i/lub wyjąć akumulator z narzędzia, jeśli jest taka możliwość.** Takie działania zapobiegawcze redukuje ryzyko przypadkowego uruchomienia narzędzia.
- **Należy przechowywać nieużywane narzędzia elektryczne poza zasięgiem dzieci i nie pozwalać osobom nie zaznajomionym z narzędziami elektrycznymi lub niniejszymi instrukcjami ich obsługiwać.** Narzędzia zasilane są niebezpieczne w rękach nieprzeszkolonych użytkowników.
- **Konserwacja narzędzi elektrycznych i akcesoriów** Należy sprawdzić ustawienie w osi elementów mocujących lub ruchomych, uszkodzenia części i



inne warunki, które mogą mieć wpływ na działanie narzędzia elektrycznego. W przypadku uszkodzenia narzędzie zasilane należy naprawić przed użyciem. Wiele wypadków spowodowanych jest przez niewłaściwą konserwację narzędzi elektrycznych.

- **Narzędzia tnące należy utrzymywać w stanie naostrzonym i czystym.** Właściwie konserwowane narzędzia tnące, z ostrymi krawędziami tnącymi dają mniejsze prawdopodobieństwo zacinania i łatwiej je kontrolować.
- **Narzędzia elektryczne, oprzyrządowanie i końcówki powinny być używane zgodnie z niniejszymi instrukcjami, biorąc pod uwagę warunki robocze oraz zadanie, jakie należy wykonać.** Korzystanie z narzędzia zasilanego do zadań innych, niż te, do których jest przeznaczone, może być niebezpieczne.
- **Utrzymywać uchwyty i powierzchnie do chwytania w stanie suchym, czystym oraz wolnym od smaru i oleju.** Śliskie uchwyty i powierzchnie do chwytania nie pozwalają na bezpieczną obsługę i kontrolę narzędzia w nieoczekiwanych sytuacjach.

### Użytkowanie i konserwacja narzędzia elektrycznego zasilanego akumulatorem

- **Ładować jedynie za pomocą ładowarki wskazanej przez producenta.** Ładowarka przeznaczona do jednego rodzaju akumulatora może grozić pożarem w przypadku wykorzystania jej do ładowania innego rodzaju akumulatora.
- **Urządzeń należy używać wyłącznie w połączeniu z określonym rodzajem akumulatorów.** Użycie akumulatorów innego rodzaju może stworzyć zagrożenie obrażeniami ciała i pożarem.
- **Kiedy akumulator nie jest używany, należy przechowywać go z dala od innych metalowych przedmiotów, takich jak spinacze do papieru, monety, klucze, gwoździe i śruby oraz innych niewielkich metalowych przedmiotów, które mogłyby połączyć dwa zaciski akumulatora.** Spięcie zacisków akumulatora może spowodować oparzenia lub pożar.
- **W niewłaściwych warunkach z akumulatora może wypłynąć płyn. Należy unikać kontaktu z tym płynem. Jeżeli dojdzie do kontaktu, przemyć wodą. Jeśli dojdzie do kontaktu płynu z oczami, należy dodatkowo skorzystać z pomocy medycznej.** Płyn wydostający się z akumulatora może wywołać podrażnienia lub oparzenia.
- **Nie używać akumulatora ani narzędzia, jeśli są one uszkodzone lub zostały zmodyfikowane.** Uszkodzone lub zmodyfikowane akumulatory mogą charakteryzować się nieprzewidywalnymi właściwościami skutkującymi pożarem, eksplozją lub ryzykiem doznania obrażeń przez użytkownika.
- **Nie wystawiać akumulatora ani narzędzia na działanie ognia bądź nadmiernej temperatury.** Ogień lub temperatura powyżej 130°C może być przyczyną wybuchu.
- **Postępować zgodnie ze wszystkimi instrukcjami dotyczącymi ładowania i nie ładować akumulatora**

ani narzędzia w temperaturach wykraczających poza zakres określony w instrukcji. Nieprawidłowe ładowanie lub ładowanie w temperaturach wykraczających poza dopuszczalny zakres może uszkodzić akumulator i zwiększyć ryzyko pożaru.

### Serwis

- **Narzędzie zasilane należy przekazać do wykwalifikowanego personelu serwisowego w celu naprawy z użyciem identycznych części zamiennych.** Zapewni to bezpieczną pracę narzędzia elektrycznego.
- **Pod żadnym pozorem nie należy serwisować uszkodzonych akumulatorów.** Serwisowanie akumulatorów powinno być wykonywane wyłącznie przez producenta lub autoryzowany serwis.

### Kieruj się zawsze zdrowym rozsądkiem

Nie jest możliwe omówienie wszystkich sytuacji, w jakich potencjalnie możesz się znaleźć. Zawsze zachowywać ostrożność i kierować się zdrowym rozsądkiem. Nie podejmować się prac przekraczających własne kwalifikacje. Jeżeli po przeczytaniu niniejszej instrukcji nadal są wątpliwości co do sposobów postępowania, nie kontynuować pracy i zwrócić się o poradę do eksperta.



**OSTRZEŻENIE:** Nigdy nie pozwalaj dzieciom na użytkowanie lub przebywanie w pobliżu urządzenia. Ponieważ maszynę łatwo uruchomić, dzieci mogą być w stanie ją włączyć, jeżeli nie będą pilnowane. Oznacza to ryzyko poważnych obrażeń. Dlatego należy odłączać akumulator, gdy maszyna nie jest pod nadzorem.

### Ogólne zasady bezpieczeństwa



**OSTRZEŻENIE:** Przed rozpoczęciem użytkowania produktu przeczytać następujące ostrzeżenia.

- Wyjąć akumulator, aby zabezpieczyć maszynę przed przypadkowym uruchomieniem.
- Ten produkt jest niebezpiecznym narzędziem w przypadku nieostrożnego postępowania lub nieprawidłowego korzystania. Produkt może spowodować poważne obrażenia ciała lub śmierć operatora lub innych osób.
- Nie używać produktu w przypadku zmiany jego początkowych specyfikacji. Nie wymieniać części maszyny bez zgody producenta. Należy używać wyłącznie części zatwierdzonych przez producenta. Nieprawidłowa konserwacja może doprowadzić do obrażeń lub śmierci.
- Przed uruchomieniem produktu należy sprawdzić jego stan techniczny. Patrz *Kontrola przed uruchomieniem na stronie 295* oraz *Przed użyciem urządzenia na stronie 302*. Nie używać urządzenia, które jest uszkodzone lub nie działa prawidłowo.

Przeprowadzać kontrole bezpieczeństwa oraz czynności z zakresu konserwacji i obsługi technicznej podane w niniejszej instrukcji.

- Należy dopilnować, aby produktem nie bawiły się dzieci. Nigdy nie pozwalać na użytkowanie ani serwisowanie produktu dzieciom lub innym osobom, które nie mają odpowiednich kwalifikacji. Lokalne przepisy mogą określać wiek operatora.
- Produkt należy przechowywać w zamkniętym miejscu, aby uniemożliwić dostęp do niego dzieciom i osobom nieupoważnionym.
- Przechowywać produkt w miejscu niedostępnym dla dzieci.
- Pod żadnym pozorem nie wolno zmieniać ani modyfikować fabrycznej konstrukcji urządzenia bez zezwolenia wydanego przez producenta. Zawsze należy korzystać z oryginalnych akcesoriów. Samowolne wprowadzanie zmian oraz/lub montowanie wyposażenia niezatwierdzonego przez producenta może stać się przyczyną groźnych obrażeń lub śmierci obsługującego urządzenie bądź innych osób.

**Uwaga:** Użytkowanie może podlegać regulacji przepisami państwowymi lub lokalnymi. Należy przestrzegać odpowiednich przepisów

## Instrukcje bezpieczeństwa dotyczące obsługi



**OSTRZEŻENIE:** Przed rozpoczęciem użytkowania produktu przeczytać następujące ostrzeżenia.

- **Należy stosować środki ochrony oczu oraz ochronniki słuchu.** Odpowiedni sprzęt ochronny zmniejsza ryzyko odniesienia obrażeń.
- **Podczas obsługi maszyny należy zawsze nosić obuwie przeciwpoślizgowe i ochronne. Nie obsługiwać maszyny bosą lub w sandałach.** Zmniejsza to ryzyko obrażeń stóp w wyniku kontaktu z ruchomą tarczą tnącą.
- **Podczas obsługi maszyny należy zawsze nosić odzież ochronną, np. spodnie zakrywające nogi operatora.** Kontakt z poruszającą się tarczą tnącą lub żyłką może spowodować obrażenia ciała.
- **Podczas obsługi maszyny nie wolno dopuszczać do obecności w pobliżu osób postronnych.** Odrzucony podczas przycinania materiał może doprowadzić do ciężkich obrażeń.
- **Nie używać maszyny powyżej wysokości pasa.** Dzięki temu uniknie się przypadkowego dotknięcia tarczy tnącej i zapewni lepszą kontrolę nad maszyną w nieoczekiwanych sytuacjach.
- **Zachować ostrożność podczas obsługi maszyny na mokrej trawie. Należy iść, nie biec.** Zmniejsza to ryzyko poślizgnięcia się i upadku, a tym samym odniesienia obrażeń.
- **Nie wolno używać maszyny na zbyt stromych zboczach.** Zmniejsza to ryzyko utraty kontroli, poślizgnięcia się i upadku, a tym samym odniesienia obrażeń.
- **Podczas pracy na pochyłościach należy zawsze dobrze stawiać kroki, pracować w poprzek zbocza, a nie w górę lub w dół, a także zachować szczególną ostrożność przy zmianie kierunku jazdy.** Zmniejsza to ryzyko utraty kontroli, poślizgnięcia się i upadku, a tym samym odniesienia obrażeń.
- **Wszystkie przewody powinny znajdować się z dala od miejsca cięcia.** Podczas pracy przewody mogą zostać zakryte przez krzewy i krzaki i przypadkowo przecięte lub uszkodzone przez tarczę tnącą lub żyłkę.
- **Nie należy zbliżać żadnych części ciała do poruszającej się tarczy tnącej wykaszarki lub żyłki. Nie należy usuwać materiału z maszyny, dopóki nie zostanie ona odłączona od źródła zasilania.** Poruszająca się tarcza tnąca wykaszarki lub żyłka może spowodować poważne obrażenia.
- **Maszynę należy przenosić po jej wyłączeniu i z dala od ciała.** Prawidłowa obsługa maszyny zmniejsza prawdopodobieństwo przypadkowego kontaktu z poruszającą się tarczą tnącą wykaszarki lub żyłką.
- **Należy używać wyłącznie wymiennych głowic tnących i tarczy tnących wykaszarki lub żyłek zalecanych przez producenta. Nie wymieniać tarcz tnących wykaszarki ani żyłek na metalowe druty lub ostrza.** Nieprawidłowe części zamienne mogą spowodować utratę kontroli nad maszyną, jej uszkodzenie lub obrażenia ciała.
- **Nie używać maszyny przy złych warunkach pogodowych, szczególnie jeśli istnieje ryzyko wystąpienia burzy.** Zmniejsza to ryzyko porażenia piorunem.
- **Dokładnie sprawdzić obszar, w którym ma być używana maszyna, pod kątem występowania dzikich zwierząt.** Podczas pracy maszyny może dojść do obrażeń ciała u dzikich zwierząt.
- **Należy dokładnie sprawdzić miejsce, w którym będzie używana maszyna, i usunąć wszelkie kamienie, patyki, druty, kości i inne przedmioty.** Odrzucone przedmioty mogą spowodować obrażenia.
- **Przed użyciem maszyny należy zawsze wzrokowo sprawdzić, czy tarcza tnąca i zespół tnący nie są uszkodzone.** Uszkodzone części zwiększają ryzyko odniesienia obrażeń.
- **Oslony muszą być założone. Oslony muszą być sprawne i prawidłowo zamontowane.** Poluzowana, uszkodzona lub nieprawidłowo działająca osłona może spowodować obrażenia.
- **Utrzymywać wszelkie wloty powietrza chłodzącego w czystości.** Zablokowane wloty powietrza i zanieczyszczenia mogą spowodować przegrzanie lub ryzyko pożaru.

## Środki ochrony osobistej



**OSTRZEŻENIE:** Przed rozpoczęciem użytkowania produktu przeczytać następujące ostrzeżenia.

- Podczas używania produktu zawsze nosić na sobie zatwierdzone środki ochrony osobistej. Środki ochrony osobistej nie eliminują ryzyka odniesienia obrażeń, ograniczają natomiast ich rozmiar w razie zaistnienia wypadku. Skorzystać z pomocy dealera przy wyborze odpowiedniego sprzętu.
- Stosować atestowane ochronniki słuchu.

(Rys. 17)

- Stosować atestowane środki ochrony oczu. Używając maski ochronnej twarzy, nosić także zatwierdzone okulary ochronne. Za zatwierdzone okulary ochronne uważane są takie, które są zgodne z normami ANSI Z87.1 dla USA lub EN 166 dla krajów UE.

(Rys. 18)

- W razie potrzeby, na przykład podczas mocowania, sprawdzania lub czyszczenia osprzętu tnącego, stosować rękawice ochronne.

(Rys. 19)

- Zakładać obuwie ochronne ze stalowymi noskami i antypoślizgowymi podeszwami.

(Rys. 20)

- Nosić odzież wykonaną z mocnego materiału. Nosić odzież z długimi nogawkami i długimi rękawami, wykonaną z mocnego materiału. Luźne części odzieży mogą zahaczyć o krzewy lub gałęzie. Nie nosić biżuterii, krótkich spodni ani sandałów. Nie pracować boso. Związywać włosy w sposób bezpieczny powyżej poziomu barków.
- Zawsze mieć pod ręką apteczkę.

(Rys. 21)

## Zespoły zabezpieczające na produkcie



**OSTRZEŻENIE:** Przed rozpoczęciem użytkowania produktu przeczytać następujące ostrzeżenia.

W tym rozdziale opisano funkcje bezpieczeństwa produktu, jego przeznaczenie oraz sposób przeprowadzania czynności kontrolnych i konserwacji, aby zapewnić jego poprawne działanie. Patrz wskazówki podane w punkcie *Wstęp na stronie 293*, aby sprawdzić, gdzie te części są zlokalizowane w Twoim produkcie.

Jeżeli urządzenie nie jest prawidłowo konserwowane i nie jest poddawane profesjonalnie wykonywanym naprawom i/lub obsłudze technicznej, skraca się jego żywotność i zwiększa ryzyko wypadku. Aby uzyskać dodatkowe informacje, należy skontaktować się z najbliższym punktem serwisowym.



**OSTRZEŻENIE:** Nie wolno używać urządzenia, którego elementy zabezpieczające są uszkodzone. Elementy zabezpieczające produktu należy kontrolować i konserwować zgodnie z opisem w niniejszym rozdziale. Jeżeli Twój produkt nie spełnia któregokolwiek z warunków kontrolnych, skontaktuj się z przedstawicielem serwisu w celu dokonania naprawy.



**UWAGA:** Wszelkie czynności obsługowe i naprawy maszyny wymagają specjalnego przeszkolenia. Szczególnie dotyczy to elementów zabezpieczających urządzenia. Jeżeli maszyna nie spełnia jakiegokolwiek z niżej wymienionych warunków kontrolnych, należy ją oddać do warsztatu obsługi technicznej. Kupując nasze produkty, zyskujesz także gwarancję profesjonalnej obsługi i napraw. Jeżeli w miejscu zakupu nie jest prowadzona obsługa serwisowa, zapytaj o adres najbliższego warsztatu obsługi technicznej.

## Sprawdzenie klawiatury

1. Wcisnąć i przytrzymać przycisk start/stop (A). (Rys. 22)
  - a) Produkt jest włączony, gdy świeci się kontrolka LED (B).
  - b) Urządzenie jest wyłączone, gdy kontrolka LED (B) nie świeci.
2. Patrz *Klawiatura na stronie 305*, jeśli włączy się lub miga wskaźnik ostrzegawczy (C).

## Sprawdzanie blokady manetki gazu

Blokada manetki gazu zapobiega przypadkowemu uruchomieniu. Naciśnięcie na blokadę manetki gazu (A) zwalnia ją (B). Po zwolnieniu uchwytu manetka gazu i blokada manetki gazu powrócą do swoich pozycji wyjściowych. (Rys. 23)

1. Sprawdzić, czy manetka gazu jest zablokowana, gdy jej blokada znajduje się w swoim położeniu wyjściowym. (Rys. 24)
2. Wcisnąć blokadę manetki gazu i sprawdzić, czy po zwolnieniu powraca ona do położenia wyjściowego. (Rys. 25)
3. Upewnić się, że manetka gazu i jej blokada poruszają się płynnie, a sprężyna powrotna działa prawidłowo. (Rys. 26)
4. Uruchomić produkt. Patrz *Uruchamianie produktu na stronie 303*.
5. Ustawić na pełną moc.

- Zwolnić manetkę gazu i sprawdzić, czy osprzęt tnący całkowicie się zatrzymał.

### Sprawdzanie osłony osprzętu tnącego



**OSTRZEŻENIE:** Nie wolno używać osprzętu tnącego bez zatwierdzonej i prawidłowo zamocowanej osłony. Zawsze stosować osłonę osprzętu tnącego zalecaną dla danego osprzętu tnącego, patrz *Dane techniczne na stronie 307*. Stosowanie niewłaściwych lub uszkodzonych osłon osprzętu tnącego może skutkować poważnymi obrażeniami.

Osłona osprzętu tnącego zapobiega odrzuceniu przedmiotów w kierunku operatora. Zapobiega również obrażeniom ciała w przypadku dotknięcia do osprzętu tnącego.

- Wyłączyć silnik.
- Przeprowadzić kontrolę wzrokową pod kątem uszkodzeń, na przykład pęknięć.
- Wymienić osłonę osprzętu tnącego, jeśli jest uszkodzona.

### Osprzęt tnący

Wybrać odpowiedni osprzęt tnący i zapewnić ich konserwację, aby:

- Uzyskać maksymalną wydajność cięcia.
- Przedłużyć okres eksploatacji osprzętu tnącego.



**OSTRZEŻENIE:** Korzystać wyłącznie z osprzętu tnącego wraz z zalecanymi przez nas osłonami! Patrz *Dane techniczne na stronie 307*. Procedura prawidłowego doboru średnicy żyłki wykaszarki i jej zakładania znajduje się w instrukcjach dotyczących osprzętu tnącego.



**OSTRZEŻENIE:** Uszkodzony osprzęt tnący może zwiększyć ryzyko wypadków.



**OSTRZEŻENIE:** Przed przystąpieniem do pracy z jakimkolwiek osprzętem tnącym należy zawsze wyłączyć silnik. Po zwolnieniu przepustnicy osprzęt tnący dalej się obraca. Przed przystąpieniem do jakichkolwiek prac należy upewnić się, że osprzęt tnący zatrzymał się całkowicie i odłączyć nasadkę świecy zapłonowej.

### Głowica żyłkowa



**OSTRZEŻENIE:** Należy zawsze upewnić się, czy żyłka jest równo i mocno nawinięta na bęben, aby zapobiec generowaniu szkodliwych dla zdrowia drgań.

(Rys. 27)

- Stosować wyłącznie zalecane głowice żyłkowe oraz żyłki.
- Używać tylko zalecanego osprzętu tnącego.
- Maszyny z silnikiem o małej mocy wymagają stosowania małych głowic żyłkowych i vice versa.
- Długość żyłek również jest ważna. Dłuższa żyłka wymaga większej mocy silnika niż krótsza żyłka o tej samej średnicy.
- Zwróć uwagę, aby przecinacz żyłki znajdujący się na osłonie głowicy, nie był uszkodzony. Służy on do przycinania żyłki na odpowiednią długość.
- Przed użyciem należy zamoczyć żyłkę w wodzie na kilka dni, aby wydłużyć jej okres eksploatacji.

### Zasady bezpieczeństwa związane z akumulatorem



**OSTRZEŻENIE:** Przed rozpoczęciem użytkowania produktu przeczytać następujące ostrzeżenia.

- Należy używać wyłącznie akumulatora serii BLi i 40-B. Aby uzyskać szczegółowe informacje, patrz *Dane techniczne na stronie 307*. Akumulator jest zabezpieczony szyfrem programowym.
- Jako źródła zasilania do powiązanych produktów Husqvarna należy używać akumulatora z serii BLi i 40-B. Aby uniknąć obrażeń, nie należy używać akumulatora jako źródła zasilania innych produktów.
- Ryzyko porażenia prądem. Nie przykładać zacisków akumulatora do kluczy, monet, śrub lub innych metalowych przedmiotów. Może to spowodować zwarcie akumulatora.
- Nie używać baterii jednorazowego użytku.
- Nie wkładać żadnych przedmiotów do szczeliny powietrznych akumulatora.
- Chronić akumulator przed bezpośrednim działaniem promieni słonecznych, wysoką temperaturą i otwartym płomieniem. Akumulator może spowodować oparzenia i/lub oparzenia chemiczne.
- Akumulator należy chronić przed deszczem i wodą.
- Akumulator należy chronić przed działaniem mikrofal i wysokiego ciśnienia.
- Nie próbować rozbierać ani rozbijać akumulatora.
- Jeśli doszło do wycieku z akumulatora, unikać kontaktu cieczy ze skórą i oczami. W przypadku dotknięcia cieczy przemyć skórę dużą ilością wody z mydłem i zgłosić się do lekarza. W przypadku dostania się cieczy do oczu nie trzeć ich, ale

splukiwać wodą przez co najmniej 15 minut i zgłosić się do lekarza.

- Akumulator można używać w zakresie temperatur od -10 °C (14 °F) do 40 °C (114 °F).
- Do czyszczenia akumulatora i ładowarki nie należy używać wody. Patrz *Czyszczenie produktu, akumulatora i ładowarki na stronie 305*.
- Nie należy używać wadliwego ani uszkodzonego akumulatora.
- Przechowywać akumulatory z dala od metalowych przedmiotów, takich jak gwoździe, śruby czy biżuteria.
- Przechowywać akumulator z dala od dzieci.

## Zasady bezpieczeństwa w czasie obsługi ładowarki



**OSTRZEŻENIE:** Przed rozpoczęciem użytkowania produktu przeczytać następujące ostrzeżenia.

- Nieprzestrzeganie zasad bezpieczeństwa stwarza ryzyko porażenia prądem lub wystąpienia zwarcia.
- Nie używać innych ładowarek do akumulatorów niż te dostarczone dla danego produktu. Należy używać wyłącznie ładowarek QC80 i 40-C80 do ładowania akumulatorów zastępczych z serii BLi i 40-B.
- Nie należy podejmować prób rozmontowania ładowarki.
- Nie należy używać wadliwej lub uszkodzonej ładowarki do akumulatora.
- Nie podnosić ładowarki do akumulatora za przewód zasilający. Aby odłączyć ładowarkę do akumulatora od gniazda, wyciągnąć wtyczkę. Nie ciągnąć za przewód.
- Należy chronić wszystkie przewody i przedłużacze przed działaniem wody, olejów oraz przedmiotów o ostrych krawędziach. Uważać także, aby przewód nie został zakleszczony między obiektami np. drzwiami, furtkami lub innymi.
- Nie używać ładowarki do akumulatora w pobliżu łatwopalnych materiałów lub materiałów, które mogą powodować korozję. Upewnić się, że ładowarka nie jest przykryta. W razie zauważenia dymu lub ognia należy odłączyć ładowarkę od źródła zasilania.
- Należy ładować akumulator wyłącznie wewnątrz budynku, w miejscu z dobrym przepływem powietrza i z dala od światła słonecznego. Nie należy ładować

akumulatora na zewnątrz pomieszczeń. Nie ładować akumulatora w wilgotnym otoczeniu.

- Ładowarkę można użytkować w zakresie temperatur od 5°C do 40°C. Ładowarki należy używać w suchym, dobrze wentylowanym i wolnym od pyłów środowisku.
- Nie wkładać żadnych przedmiotów do szczelin wentylacyjnych ładowarki.
- Styków ładowarki nie należy zwierać metalowymi przedmiotami, gdyż może to wywołać zwarcie.
- Należy używać zatwierdzonych gniazd głównych, które nie są uszkodzone. Upewnić się, że przewód ładowarki nie jest uszkodzony. Jeżeli używane są przedłużacze, upewnić się, że nie są one uszkodzone.
- Nie należy ładować w ładowarkach baterii jednorazowego użytku.

## Instrukcje bezpieczeństwa dotyczące konserwacji



**OSTRZEŻENIE:** Przed rozpoczęciem prac konserwacyjnych produktu przeczytać następujące ostrzeżenia.

- Wyjąć akumulator przed rozpoczęciem prac konserwacyjnych, innych przeglądów lub montażu produktu.
- Użytkownikowi wolno wykonywać tylko te czynności konserwacyjne i serwisowe, które są wskazane w niniejszej instrukcji obsługi. W przypadku czynności konserwacyjnych i serwisowych o szerszym zakresie należy zwrócić się do autoryzowanego serwisu.
- Do czyszczenia akumulatora ani ładowarki nie należy używać wody. Silne detergenty mogą spowodować uszkodzenie tworzywa sztucznego.
- Zaniedbanie czynności konserwacyjnych skróci cykl życia produktu i zwiększy ryzyko wypadków.
- Dla wszystkich prac serwisowych i naprawczych, zwłaszcza dla urządzeń zabezpieczających na produkcie, konieczne jest specjalne przeszkolenie. Jeśli nie wszystkie opisane w niniejszej instrukcji obsługi kontrole zakończą się pomyślnie po wykonaniu konserwacji, należy zwrócić się do autoryzowanego serwisu. Gwarantujemy profesjonalne naprawy i serwisowanie produktu.
- Używaj wyłącznie oryginalnych części zamiennych.

## Montaż

### Wstęp



**OSTRZEŻENIE:** Przed zmontowaniem produktu należy zapoznać się z rozdziałem dotyczącym bezpieczeństwa.

### Montaż osłony głowicy

1. Umieścić osłonę głowicy na obudowie silnika. (Rys. 28).
2. Wkręcić śrubę, wprowadzając ją przez obudowę silnika i osłonę głowicy. (Rys. 29)
3. Dokręcić śrubę.

## Montaż głowicy żyłkowej

1. Obrócić wałek zdawczy, aby otwór tarczy zabierakowej znalazł się dokładnie naprzeciw otworu w obudowie przekładni.
2. Włożyć kołek blokujący do otworu, tak aby wałek został zabezpieczony.
3. Obrócić głowicę żyłkową w prawo. (Rys. 30)

## Montaż uchwyty pałkowego

1. Zamontować śrubę w uchwycie pałkowym. (Rys. 31)
2. Zamontować uchwyt pałkowy na osprzęcie na wałku.
3. Dokręć śruby.
4. Wyregulować uchwyt pałkowy do odpowiedniego położenia. Patrz *Regulacja uchwytu pałkowego i wałka teleskopowego na stronie 303*.

## Montaż osłony chroniącej przed odpryskami roślin

1. Zamontować osłonę chroniącą przed odpryskami roślin w otworach na obudowie silnika. (Rys. 32)

2. Sprawdzić, czy osłona chroniąca przed odpryskami roślin może się swobodnie poruszać do przodu i do tyłu. (Rys. 33)

## Montaż ładowarki (40-C80) na ścianie



**UWAGA:** Do montażu ładowarki na ścianie nie należy używać śrubokręta elektrycznego. Śrubokręt elektryczny może spowodować uszkodzenie ładowarki.

1. Zamontować ładowarkę na ścianie za pomocą 2 śrub (B). W razie potrzeby użyć kołków rozporowych (A). (Rys. 34)
2. Zamocować 2 zaślepki do otworów na śruby (C).
3. Podłączyć przewód zasilający do ładowarki i gniazda zasilania.

## Przeznaczenie

### Wstęp



**OSTRZEŻENIE:** Przed użyciem produktu należy zapoznać się z rozdziałem dotyczącym bezpieczeństwa.

### Przed użyciem urządzenia

- Sprawdzić obszar roboczy, aby zapoznać się z terenem. Sprawdzić nachylenie terenu oraz czy występują na nim przeszkody, takie jak kamienie, gałęzie i rowy.
- Przeprowadzić ogólny przegląd urządzenia.
- Wykonać kontrole bezpieczeństwa, czynności konserwacyjne i czynności serwisowe opisane w niniejszej instrukcji.
- Sprawdzić, czy na silniku nie ma pęknięć lub zanieczyszczeń. Aby usunąć trawę i liście z silnika, należy użyć szczotki. W razie potrzeby użyć rękawic.
- Sprawdzić głowicę żyłkową i osłonę osprzętu tnącego pod kątem uszkodzeń lub pęknięć. Wymienić głowicę żyłkową i osłonę osprzętu tnącego, jeżeli zostały uderzone lub są popękane.
- Upewnij się, że wszystkie nakrętki i śruby są dokręcone.
- Przed uruchomieniem produktu należy upewnić się, że narzędzie tnące oraz wszystkie pokrywy, osłony

i uchwyty są prawidłowo zamocowane i nie są uszkodzone.

### Akumulator



**OSTRZEŻENIE:** Przed użyciem akumulatora należy zapoznać się z rozdziałem dotyczącym bezpieczeństwa. Należy również przeczytać uważnie instrukcję obsługi dołączonej do akumulatora i ładowarki.

Zapewnić akumulatorowi i ładowarce prawidłową temperaturę otoczenia.

	Temperatura otoczenia
Działanie akumulatora	5°C-40°C / 41°F-104°F
Ładowanie akumulatora	5°C-40°C / 41°F-104°F

### Stan akumulatora

Na wyświetlaczu pokazywane są informacje o stanie naładowania akumulatora oraz ewentualne problemy.

(Rys. 35)

Wskaźnik diodowy	Stan akumulatora (stan naładowania)	
	BLi10, BLi20	40-B70, 40-B140
Świecą się 4 diody LED	N/D	Poziom naładowania akumulatora wynosi 76–100%.
Świecą się 3 diody LED	Poziom naładowania akumulatora wynosi 76–100%.	Poziom naładowania akumulatora wynosi 51–75%.
Świecą się 2 diody LED	Poziom naładowania akumulatora wynosi 51–75%.	Poziom naładowania akumulatora wynosi 26–50%.
Świeci się 1 dioda LED	Poziom naładowania akumulatora wynosi 26–50%.	Poziom naładowania akumulatora wynosi 6–25%.
Miga 1 dioda LED	Poziom naładowania akumulatora wynosi 0–25%.	Poziom naładowania akumulatora wynosi 0–5%.

### Ładowanie akumulatora

Akumulator należy naładować przed pierwszym użyciem. Nowy akumulator jest naładowany jedynie w 30%.



**UWAGA:** Ładowarkę należy podłączyć do gniazda zasilania o napięciu i częstotliwości zgodnymi z tabliczką znamionową.

Akumulator nie będzie się ładować, jeżeli jego temperatura przekroczy 50°C/122°F.

1. Podłączyć przewód zasilający do ładowarki.
2. Podłączyć ładowarkę do uziemionego gniazda zasilania. Dioda LED ładowania zamiga jeden raz. (Rys. 36)
3. Podłączyć akumulator do ładowarki. Zaświeci się dioda LED ładowania. Akumulator można ładować przez maks. 24 godziny. (Rys. 37)
4. Nacisnąć przycisk wskaźnika akumulatora. Jeśli zaświecą się wszystkie wskaźniki LED, akumulator jest w pełni naładowany.
5. Wyciągnąć wtyczkę przewodu zasilającego z gniazda, aby odłączyć ładowarkę od zasilania. Nie ciągnąć za przewód.
6. Akumulator należy wyjąć z ładowarki.

### Podłączanie akumulatora do produktu



**OSTRZEŻENIE:** Należy używać wyłącznie oryginalnego akumulatora Husqvarna w urządzeniu.

1. Naładować całkowicie akumulator.
2. Wsunąć akumulator do uchwyty akumulatora produktu. Po usłyszeniu kliknięcia akumulator zablokuje się na miejscu. (Rys. 38)



**UWAGA:** Jeśli akumulator nie jest łatwo wsunąć do uchwyty, akumulator nie jest prawidłowo zainstalowany. Niezastosowanie się do tego zalecenia może spowodować uszkodzenie produktu.

### Uruchamianie produktu

1. Nacisnąć i przytrzymać przycisk start/stop do momentu zapalenia się zielonej diody LED. (Rys. 39)
2. Nacisnąć blokadę manetki gazu i manetkę gazu. Osprzęt tnący zacznie się obracać.

### Regulacja uchwyty pałkowego i wałka teleskopowego

1. Poluzować uchwyt blokujący i ustawić uchwyt pałkowy w żądanym położeniu. (Rys. 40)
2. Zamknąć uchwyt blokujący.
3. Poluzować dźwignię na wałku. (Rys. 41)
4. Ustawić żądaną długość na wałku. Upewnić się, że jest widoczny trójkąt na wałku. (Rys. 42)
5. Zamknąć dźwignię i dokręcić śrubę.

**Uwaga:** Nie wolno mocować uchwyty pałkowego na naklejkach ostrzegawczych na wałku.

### Korzystanie z funkcji SavE

Ten produkt jest wyposażony w funkcję oszczędzania energii SavE.

**Uwaga:** Funkcja SavE nie zmniejsza mocy cięcia urządzenia.

1. Nacisnąć przycisk SavE na klawiaturze.
2. Sprawdzić, czy świeci zielona dioda LED.

3. Ponowne naciśnięcie przycisku SavE wyłączy funkcję. Gaśnie zielona dioda LED. (Rys. 43)

## Funkcja automatycznego wyłączenia

Produkt ma funkcję wyłączania, która zatrzymuje produkt, gdy nie jest on używany. Zielona dioda LED wskaźnika start/stop zgaśnie i urządzenie zatrzyma się po 180 sekundach.

## Obsługa produktu

### Podkaszanie trawy

1. Trzymać głowicę żyłkową tuż nad ziemią, przechylając ją lekko pod kątem. Nie dociskać żyłki do trawy. (Rys. 44)
2. Zmniejszyć długość żyłki o 10–12 cm / 4–4,75 cala.
3. Zmniejszyć prędkość obrotową silnika, aby zmniejszyć ryzyko uszkodzenia roślin.
4. Wykorzystać przepustnicę w 80% podczas koszenia trawy w pobliżu przedmiotów. (Rys. 45)

### Usuwanie trawy

1. Trzymać głowicę żyłkową nad ziemią.
2. Przechylić głowicę żyłkową.
3. Ciąć końcem żyłki wokół obiektów w obszarze roboczym.



**UWAGA:** Ścinać trawę. Inne obiekty, które są uderzana przez żyłkę, zwiększają zużycie żyłki.

### Koszenie trawy

1. Upewnić się, że żyłka jest ustawiona równoległe do podłoża podczas cięcia. (Rys. 46)

2. Nie dociskać głowicy żyłkowej do ziemi. Niezastosowanie się do tego zalecenia może spowodować uszkodzenie produktu.
3. Podczas koszenia trawy należy przemieszczać produkt z boku na bok. Pracować przy pełnych obrotach. (Rys. 47)

### Zamiatanie trawy

Strumień powietrza wytwarzany przez obracającą się głowicę żyłkową można wykorzystać do usuwania skoszonej trawy z danego obszaru.

1. Trzymać głowicę żyłkową oraz żyłkę równoległe nad podłożem.
2. Włączyć pełen gaz.
3. Przesuwać głowicę żyłkową z boku na bok, aby zamieść trawę.



**OSTRZEŻENIE:** Wyczyścić pokrywę głowicy żyłkowej po każdym założeniu nowej żyłki, aby zapewnić prawidłowe wyważenie i zapobiec drganiu uchwytów. Sprawdzić pozostałe elementy głowicy żyłkowej i wyczyścić w razie potrzeby.

### Wyłączanie produktu

1. Zwolnić manetkę gazu i blokadę manetki gazu.
2. Naciskać przycisk start/stop, aż zielona dioda LED zgaśnie.
3. Nacisnąć przyciski zwalniające na akumulatorze i wyciągnąć go z produktu. (Rys. 48)

### Wymiana żyłki

Patrz ostatnia strona instrukcji obsługi.

## Przegląd

### Wstęp



**OSTRZEŻENIE:** Przed przystąpieniem do konserwacji produktu zapoznać się z rozdziałem dotyczącym bezpieczeństwa.



### Plan konserwacji

**OSTRZEŻENIE:** Wyjąć akumulator przed przystąpieniem do konserwacji.

Poniżej znajduje się lista czynności konserwacyjnych, które należy wykonywać przy urządzeniu. Więcej informacji, patrz *Przegląd na stronie 304*.

Przegląd	Codzienne	Co tydzień	Co miesiąc
Oczyszczyć zewnętrzne części produktu za pomocą suchej szmatki. Nie należy stosować wody.	X		
Sprawdzić, czy przycisk start i stop działa prawidłowo i nie jest uszkodzony.	X		
Sprawdzić, czy włącznik zasilania i jego blokada działają prawidłowo pod względem bezpieczeństwa.	X		



Przegląd	Codziennie	Co tydzień	Co miesiąc
Upewnić się, że wszystkie elementy sterujące działają i nie są uszkodzone.	X		
Utrzymywać uchwyty w stanie suchym, czystym oraz wolnym od smaru i oleju.	X		
Należy sprawdzić, czy osprzęt tnący nie jest uszkodzony. Wymienić osprzęt tnący, jeśli jest uszkodzony.	X		
Sprawdzić, czy osłona osprzętu tnącego nie jest uszkodzona. Wymienić osłonę osprzętu tnącego, jeśli jest uszkodzona.	X		
Upewnić się, że wszystkie śruby i nakrętki są dokręcone.	X		
Sprawdzić, czy działają przyciski uwalniające akumulator oraz czy blokują go na miejscu w produkcie.	X		
Sprawdzić, czy ładowarka nie jest uszkodzona i działa prawidłowo.	X		
Sprawdzić, czy akumulator nie jest uszkodzony.	X		
Należy sprawdzić, czy akumulator jest naładowany.	X		
Upewnić się, że ładowarka nie jest uszkodzona.	X		
Sprawdzić stan wszystkich przewodów, połączeń i złączy. Upewnić się, że nie są uszkodzone i wolne od zanieczyszczeń.		X	
Sprawdzić połączenia pomiędzy akumulatorem a urządzeniem. Sprawdzić połączenie pomiędzy akumulatorem a ładowarką.			X

## Sprawdzanie akumulatora i ładowarki

1. Sprawdzić akumulator pod kątem uszkodzeń, na przykład pęknięć.
2. Sprawdzić ładowarkę pod kątem uszkodzeń, na przykład pęknięć.
3. Należy regularnie sprawdzać, czy przewód połączeniowy ładowarki akumulatora nie jest uszkodzony ani popękany.

## Czyszczenie produktu, akumulatora i ładowarki

1. Po użyciu wyczyścić produkt za pomocą suchej szmatki.
2. Wyczyścić akumulator i ładowarkę suchą szmatką. Akumulator i zaciski należy utrzymywać w czystości.

3. Upewnić się, że styki akumulatora i ładowarki są czyste przed umieszczeniem akumulatora w ładowarce lub w produkcie.

## Sprawdzenie i wymiana głowicy żyłkowej

1. Sprawdzić głowicę żyłkową pod kątem występowania uszkodzeń i pęknięć.
2. Wyciągnąć zespół zsuwu żyłki.
3. Zdjąć głowicę żyłkową. (Rys. 49)
4. Wymienić głowicę żyłkową.
5. Zamontować głowicę żyłkową. Patrz *Montaż głowicy żyłkowej na stronie 302*.

## Rozwiązywanie problemów

### Klawiatura

Ekran LED	Możliwe usterki	Możliwe rozwiązanie
Miga dioda LED błędu.	Przeciążenie	Osprzęt tnący nie może się swobodnie poruszać. Uwolnij osprzęt tnący.
	Odchylenia temperatury	Poczekać na ostygnięcie produktu.
Produkt nie uruchamia się.	Jednocześnie nacisnąć manetkę gazu i włącznik.	Zwolnić manetkę gazu i wyłączyć produkt.

Ekran LED	Możliwe usterki	Możliwe rozwiązanie
Dioda LED błędu świeci na czerwono.	Wymagany jest serwis produktu.	Zwrócić się do punktu serwisowego.

## Akumulator

Wyświetlacz LED	Możliwe usterki	Możliwe działania
Miga zielona dioda LED.	Niskie napięcie akumulatora.	Naładować akumulator.
Miga dioda LED błędu.	Odchylenia temperatury.	Akumulator można używać w zakresie temperatur od -10°C (14°F) do 40°C (104°F).
	Zbyt wysokie napięcie.	Upewnić się, że napięcie sieciowe jest zgodne z wartością podaną na tabliczce znamionowej produktu. Akumulator należy wyjąć z ładowarki.
Dioda LED błędu jest włączona.	Zbyt wysoka różnica między ogniwami (1 V).	Zwrócić się do punktu serwisowego.

## Ładowarka

Problem	Możliwe usterki	Możliwe rozwiązanie
Dioda LED ładowania świeci się na czerwono.	Trwała usterka ładowarki akumulatora.	Należy skontaktować się z dealerem.
Kontrolka LED stanu ładowania miga na zielono.	Odchylenia temperatury; akumulator jest zbyt zimny lub zbyt gorący do użytku lub ładowania.	Odczekać, aż akumulator ostygnie, lub ogrzać go. Gdy akumulator odzyska właściwą temperaturę, będzie mógł być ponownie użytkowany lub ładowany. Ładowarkę można użyć w zakresie temperatur 5–40°C (41–104°F).
Kontrolka LED stanu ładowania miga na czerwono.	Niesprawny akumulator.	Należy skontaktować się z dealerem.

---

## Transport, przechowywanie i utylizacja

---

### Transport i przechowywanie

- Dołączone akumulatory litowo-jonowe są zgodne z przepisami dotyczącymi towarów niebezpiecznych.
- Należy przestrzegać specjalnych zaleceń podanych na opakowaniu i etykietach, dotyczących transportu komercyjnego, w tym także usług transportowych świadczonych przez strony trzecie i spedytorów.
- Przed wysłaniem produktu należy porozmawiać z osobą przeszkoloną w zakresie materiałów

niebezpiecznych. Przestrzegać wszystkich przepisów krajowych, które mają zastosowanie.

- Podczas umieszczania akumulatora w opakowaniu zabezpieczyć otwarte zaciski taśmą. Zapakować akumulator w taki sposób, aby ściśle przylegał do opakowania, co zapobiegnie jego przemieszczaniu.
- Wymywać akumulator na czas przechowywania lub transportu.

- Przechowywać akumulator i ładowarkę w miejscu suchym i wolnym od wilgoci oraz nienarażonym na mróz.
- Nie przechowywać akumulatora w miejscu, gdzie może występować prąd statyczny. Nie przechowywać akumulatora w metalowym pojemniku.
- Przechowywać akumulator w miejscu, w którym temperatura wynosi od 5°C do 25°C, z dala od bezpośredniego działania promieni słonecznych.
- Przechowywać ładowarkę w miejscu, w którym temperatura wynosi od 5°C do 45°C, z dala od bezpośredniego działania promieni słonecznych.
- Ładowarkę należy użytkować w zakresie temperatur od 5°C do 40°C.
- Naładować akumulator od 30% do 50% przed dłuższym okresem jego przechowywania.
- Przechowywać ładowarkę w zamkniętym i suchym miejscu.
- Przechowywać akumulator z dala od ładowarki. Nie wolno pozwalać dzieciom ani innym osobom postronnym na dotykane sprzętu. Przechowywać sprzęt w miejscu, które można zamknąć.
- Przed odstawieniem urządzenia na dłuższe przechowywanie należy je wyczyścić oraz przeprowadzić pełny przegląd.
- Użyć osłony transportowej na produkcie, aby zapobiec obrażeniom lub uszkodzeniu urządzenia podczas transportu i przechowywania.
- Przymocować bezpiecznie produkt podczas transportu.

## Usuwanie akumulatora, ładowarki i produktu

Symbole znajdujące się na produkcie oraz na opakowaniu informują o tym, że produkt nie jest zwykłym odpadem domowym. Należy poddawać go recyklingowi w punkcie zbiórki sprzętu elektrycznego i elektronicznego. Pomaga to chronić środowisko i ludzi.

Skontaktować się z lokalnymi władzami, przedsiębiorstwem gospodarki komunalnej lub dealerem w celu uzyskania szczegółowych informacji dotyczących recyklingu.

---

## Dane techniczne

---

### Dane techniczne

	<b>215iL</b>
<b>Silnik</b>	
Typ silnika	BLDC
Obroty wałka zdawczego, obr./min.	6800
Szerokość koszenia, mm	310
<b>Waga</b>	
Ciężar bez akumulatora (kg)	2,9
<b>Poziom hałasu</b> <sup>55</sup>	
Zmierzony poziom mocy akustycznej, dB(A)	90,5
Poziom głośności, gwarantowana moc akustyczna L <sub>WA</sub> dB(A)	92
<b>Poziomy głośności</b> <sup>56</sup>	
Równoważny poziom ciśnienia akustycznego przy uchu operatora zmierzony zgodnie z normą EN ISO 50636-2-91, dB (A)	74,9

<sup>55</sup> Emisję hałasu do otoczenia zmierzono jako moc akustyczną (L<sub>WA</sub>), zgodnie z dyrektywą Rady 2000/14/WE. Różnica pomiędzy gwarantowanym a zmierzonym poziomem ciśnienia akustycznego wynika z tego, że poziom gwarantowany uwzględnia także rozproszenie w wynikach pomiaru oraz różnice pomiędzy różnymi produktami o takim samym oznaczeniu modelowym zgodnie z dyrektywą 2000/14/WE.

<sup>56</sup> Odnotowane dane dotyczące równoważnego ciśnienia akustycznego produktu wykazują typowy rozrzut statystyczny (odchylenie standardowe) w wysokości 2,5 dB(A).

	<b>215iL</b>
<b>Poziomy drgań</b> <sup>57</sup>	
Poziom drgań uchwytów, mierzony zgodnie z wymogami normy EN50636-2-91, m/s <sup>2</sup> : W zestawie głowica żyłkowa (oryginalna), przód/tył.	4,5 / 2,7

### Akumulatory zatwierdzone dla produktu

Akumulator	BLi10		BLi20		40-B70	40-B140
Typ	Litowo-jonowy		Litowo-jonowy		Litowo-jonowy	Litowo-jonowy
Pojemność akumulatora, Ah	Patrz naklejka z informacją o wartości znamionowej akumulatora		Patrz naklejka z informacją o wartości znamionowej akumulatora		Patrz naklejka z informacją o wartości znamionowej akumulatora	Patrz naklejka z informacją o wartości znamionowej akumulatora
Napięcie znamionowe, V	36	36,5	36	36,5	36	36
Waga, funty/kg	0,7	0,7	1,2	1,2	0,8	1,25

### Ładowarki akumulatorów zatwierdzone dla urządzenia

Ładowarka	QC80	40-C80
Napięcie sieciowe, V	100-240	100-240
Częstotliwość, Hz	50-60	50-60
Moc, W	100	72
Napięcie wyjściowe, V d.c./ ampery, A	36/2	43/1,6

---

## Akcesoria

---

### Zatwierdzone akcesoria

Zatwierdzone akcesoria	Typ	Osiłona osprzętu tnącego, nr art.
Głowica żyłkowa	R25B (żyłka Ø 2 mm)	529 96 69-01

<sup>57</sup> Odnotowane dane dla poziomu wibracji mają typowe rozproszenie statystyczne (odchylenie standardowe) w wysokości 1,5 m/s<sup>2</sup>.

# Deklaracja zgodności

## Deklaracja zgodności UE

Firma **Husqvarna AB**, SE-561 82 Huskvarna,  
Szwecja, tel.: +46-36-146500, deklarujemy z pełną  
odpowiedzialnością, że produkt:

<b>Opis</b>	Podkaszarka akumulatorowa
<b>Marka</b>	Husqvarna
<b>Typ/model</b>	215iL
<b>Identyfikacja</b>	Numery seryjne z roku 2024 i nowsze

spełnia wszystkie wymogi określone w odpowiednich  
dyrektywach i przepisach UE:

Dyrektywa/przepis	Opis
2006/42/WE	„w sprawie maszyn”
2014/30/UE	„w sprawie kompatybilności elektromagnetycznej”
2000/14/WE	„dotycząca emisji hałasu do środowiska”
2011/65/UE	„dotycząca ograniczenia użycia niektórych substancji niebezpiecznych w sprzęcie elektrycznym i elektronicznym”

oraz został zaprojektowany zgodnie z następującymi  
normami i specyfikacjami technicznymi: EN  
60335-1:2012/A15:2021, EN 50636-2-91:2014, EN  
IEC 63000:2018, EN IEC 55014-1:2021; EN IEC  
55014-2:2021.

Jednostka notyfikowana: 0197 TÜV Rheinland LGA  
Products GmbH, Tillystraße 2, 90431 Nürnberg,  
Germany potwierdza zgodność z dyrektywą rady  
2000/14/WE, procedura oceny zgodności: Załącznik VI.

Informacje dotyczące emisji hałasu, patrz *Dane  
techniczne na stronie 307*.

Husqvarna, 2024-02-01



Claes Losdal, Dyrektor ds. badań i rozwoju, Husqvarna  
AB

Osoba odpowiedzialna za dokumentację techniczną



## ÍNDICE

Introdução.....	310	Transporte, armazenamento e eliminação.....	323
Segurança.....	311	Especificações técnicas.....	323
Montagem.....	317	Acessórios.....	325
Funcionamento.....	318	Declaração de conformidade.....	326
Manutenção.....	320	Anexo .....	454
Resolução de problemas.....	322		

---

## Introdução

---

### Descrição do produto

O Husqvarna 215iL é um aparador de relva a bateria com motor elétrico.

Decorre um trabalho constante para aumentar a sua segurança e eficiência durante o funcionamento. Para mais informações, contacte o revendedor com assistência técnica.

### Finalidade

O produto é utilizado com linhas do aparador não metálicas, fios não metálicos ou elementos de corte

flexíveis não metálicos equivalentes. Não utilize o produto para outras tarefas além de cortar ervas daninhas, relva ou vegetação suave semelhante.

---

**Nota:** A legislação nacional pode limitar a utilização deste produto.

---

### Vista geral do produto

(Fig. 1)

1. Cabeça do aparador
2. Proteção do acessório de corte
3. Eixo
4. Ajuste do eixo (telescópio)
5. Punho fechado
6. Teclado
7. Indicador de aviso do teclado
8. Botão Start/Stop
9. Botão SavE (economia)
10. Interruptor de alimentação
11. Bloqueio do interruptor de alimentação
12. Indicador de dispositivo ligado e aviso
13. Conetor
14. Carregador de bateria 40-C80
15. Carregador de bateria QC80
16. Cabo de alimentação
17. Proteção de plantas
18. Indicador de aviso da bateria
19. Estado da bateria
20. Botão indicador da bateria
21. Botões de desengate da bateria
22. Bateria
23. Ferramenta múltipla
24. Manual do utilizador

(Fig. 5) Evite expô-las à chuva.

(Fig. 6) Emissões de ruído para a etiqueta ambiental de acordo com as diretivas e regulamentos da UE (incluindo a legislação de Nova Gales do Sul) e do Reino Unido. Os dados das emissões de ruído podem ser encontrados na etiqueta da máquina no capítulo Especificações técnicas.

(Fig. 7) Mantenha as pessoas afastadas do produto.

(Fig. 8) Desligue a bateria antes da manutenção.

(Fig. 9) O produto ou a respetiva embalagem não são resíduos domésticos. Recicle o equipamento numa estação de reciclagem para equipamentos elétricos e eletrónicos.

(Fig. 10) O produto está em conformidade com as diretivas EU aplicáveis.

(Fig. 11) O produto está em conformidade com os regulamento do RU aplicáveis.

(Fig. 12) Corrente contínua.

### Símbolos no produto

(Fig. 2) **AVISO:** Este produto pode ser perigoso e provocar ferimentos graves ou a morte do utilizador ou de terceiros. Seja cuidadoso e utilize o produto corretamente.

(Fig. 3) Leia o manual do utilizador com atenção e certifique-se de que compreende as instruções antes de utilizar o produto.

(Fig. 4) Use proteção ocular.

yyyywwxxxx

A etiqueta de tipo ou a impressão a laser apresenta o número de série. **aaaa** é o ano de fabrico e **ss** é a semana de fabrico.

## Símbolos na bateria e/ou no carregador da bateria

(Fig. 16) Recicle este produto numa estação de reciclagem para equipamentos elétricos e eletrónicos. (Válido unicamente na Europa)

(Fig. 13) Transformador contra-falhas.

(Fig. 14) Utilize e armazene o carregador da bateria apenas em espaços interiores.

(Fig. 15) Isolamento duplo.

## Danos no produto

Não somos responsáveis por danos no nosso produto se:

- o produto tiver sido incorretamente reparado.
- o produto tiver sido reparado com peças que não sejam do fabricante ou que não sejam aprovadas pelo fabricante.
- o produto tiver um acessório que não seja do fabricante ou que não seja aprovado pelo fabricante.
- o produto não tiver sido reparado por um centro de assistência autorizado ou por uma autoridade aprovada.

## Segurança

### Definições de segurança

Os avisos, as precauções e as notas são utilizados para indicar partes especialmente importantes do manual.



**ATENÇÃO:** Utilizado no caso de existir risco de ferimento ou morte para o utilizador ou transeuntes, se não forem respeitadas as instruções do manual.



**CUIDADO:** Utilizado se existir risco de danos para o produto, para outros materiais ou para a área adjacente, se não forem respeitadas as instruções do manual.

**Nota:** Utilizado para disponibilizar informações adicionais necessárias numa determinada situação.

### Avisos gerais de segurança da ferramenta eléctrica



**ATENÇÃO:** Leia todos os avisos de segurança e todas as instruções. O incumprimento dos avisos e das instruções poderá resultar em choques elétricos, incêndios e/ou ferimentos graves.

**Nota:** Guarde todos os avisos e instruções para referência futura. O termo "ferramenta eléctrica" nos avisos refere-se à sua ferramenta eléctrica com ligação à corrente (com cabo) ou ferramenta eléctrica com bateria (sem cabo).

### Verificação pré-arranque

- Retire sempre a bateria para evitar que o produto comece a funcionar acidentalmente. Retire sempre

a bateria antes de realizar qualquer tipo de manutenção no produto.

- Antes de utilizar o produto e após um impacto, verifique se existem sinais de desgaste ou danos e proceda à respetiva reparação, conforme necessário.
- Inspeccione a área de trabalho. Remova todos os objetos soltos, como pedras, vidros partidos, pregos, arame, cordas, etc., que possam ser arremessados ou enredar-se na cortadora ou na respetiva proteção.
- Verifique o motor quanto à existência de sujidade e fissuras. Limpe a relva e as folhas do motor com uma escova. Deve-se usar luvas quando necessário.
- Certifique-se de que a cabeça do aparador se encontra totalmente ligada ao aparador.
- Verifique se o produto está em perfeitas condições de funcionamento. Certifique-se de que todas as porcas e os parafusos estão bem apertados.
- Verifique se a cabeça do aparador e a proteção do aparador não apresentam danos e fissuras. Substitua a cabeça do aparador ou a proteção do aparador se tiverem sido sujeitas a impactos ou se apresentarem fissuras. Utilize sempre a proteção recomendada para o acessório de corte específico. Consulte o capítulo de especificações técnicas.
- O utilizador do produto tem de verificar se não se encontra qualquer pessoa ou animal num raio de 15 metros enquanto trabalha. Sempre que vários utilizadores se encontrem a trabalhar em simultâneo no mesmo local, a distância de segurança deve ser, no mínimo, de 15 metros.
- Efetue uma inspeção geral do produto antes de o utilizar. Observe o esquema de manutenção.
- A utilização pode estar sujeita a regulamentos nacionais ou locais. Respeite os regulamentos estabelecidos.

## Segurança no local de trabalho

- **Mantenha a área de trabalho limpa e bem iluminada.** Áreas desarrumadas ou escuras convidam ao acidente.
- **Não maneye ferramentas eléctricas em ambientes explosivos, tal como na presença de líquidos inflamáveis, gases ou poeiras.** As ferramentas eléctricas criam faíscas que podem poeiras ou gases.
- **Mantenha as crianças e restantes pessoas afastadas enquanto maneja uma ferramenta eléctrica.** As distrações podem fazê-lo perder o controlo.

## Segurança no manejo de eletricidade

- **As fichas das ferramentas eléctricas têm de corresponder à tomada eléctrica. Nunca modifique a ficha de qualquer forma. Não utilize quaisquer fichas adaptadoras com ferramentas eléctricas ligadas à terra.** As fichas inalteradas e as tomadas correspondentes reduzem o risco de choque eléctrico.
- **Evite o contacto corporal com superfícies ligadas à terra, tais como tubos, radiadores, fogões e frigoríficos.** Existe um risco acrescido de choque eléctrico se o seu corpo estiver em contacto com a terra.
- **Não exponha ferramentas eléctricas a chuva ou condições de elevada humidade.** A entrada de água numa ferramenta eléctrica aumenta o risco de choque eléctrico.
- **Não danifique o fio eléctrico. Nunca utilize o cabo eléctrico para transportar, puxar ou desligar a ferramenta eléctrica da tomada. Mantenha o cabo eléctrico afastado de fontes de calor, óleo, arestas afiadas ou de peças em movimento.** Os fios eléctricos danificados ou emaranhados aumentam o risco de choque eléctrico.
- **Ao operar uma ferramenta eléctrica no exterior, utilize um cabo de extensão adequado para utilização em exteriores.** A utilização de um cabo eléctrico adequado para utilização no exterior reduz o risco de choque eléctrico.
- **Se não puder evitar operar uma ferramenta eléctrica em locais húmidos, utilize uma fonte de alimentação com corta-circuito com um dispositivo de corrente residual (RDC).** A utilização de um dispositivo de corrente residual (RCD) reduz o risco de choque eléctrico.

## Segurança pessoal

- **Mantenha-se alerta, tenha atenção ao que está a fazer e use o bom senso ao operar uma ferramenta eléctrica. Não utilize uma ferramenta eléctrica se estiver cansado ou sob a influência de drogas, álcool ou medicação.** Um momento de desatenção durante o manejo de ferramentas eléctricas pode resultar em lesões pessoais graves.

- **Use equipamento de protecção pessoal. Use sempre protecção ocular.** A utilização de equipamento de protecção como máscara antipoeira, calçado de segurança antiderrapante, capacete ou protetores acústicos nas condições apropriadas irá reduzir os ferimentos pessoais.
- **Prevenção de arranque não intencional. Certifique-se de que o interruptor se encontra desligado antes de ligar à fonte de alimentação e/ou à bateria, de pegar ou transportar a ferramenta.** Transportar ferramentas eléctricas com o dedo no interruptor ou ligar ferramentas eléctricas à corrente eléctrica com o interruptor ligado é um convite aos acidentes.
- **Remova qualquer chave de ajuste ou chave de porcas antes de ligar a ferramenta à corrente eléctrica.** Uma chave de porcas ou uma chave ligada a uma peça em rotação da ferramenta eléctrica pode resultar em lesões pessoais.
- **Não se debruce. Mantenha o equilíbrio e os pés sempre bem assentes.** Isto permite um melhor controlo da ferramenta eléctrica em situações inesperadas.
- **Vista-se adequadamente. Não use peças de roupa soltas ou jóias. Mantenha o cabelo e roupas longe de quaisquer peças em movimento.** Roupas soltas, jóias ou cabelo comprido podem ser apanhados nas peças em movimento.
- **Se forem fornecidos dispositivos para a ligação de equipamentos de extração e de recolha de poeiras, assegure-se de que estes estão ligados e são utilizados corretamente.** A utilização da recolha de poeiras pode reduzir os riscos relacionados com poeiras.
- **Siga sempre os princípios de segurança das ferramentas, mesmo que já esteja familiarizado com as ferramentas, devido à utilização frequente das mesmas.** Uma ação descuidada pode provocar ferimentos graves numa fração de segundo.
- A emissão de vibrações durante a utilização da ferramenta pode ser diferente do valor total declarado, dependendo da forma como a ferramenta é utilizada. Os operadores devem identificar as medidas de segurança necessárias à sua protecção, com base numa estimativa de exposição em condições reais de utilização (tendo em conta todas as fases do ciclo de operação, tais como o número de vezes que a ferramenta é ligada e desligada e quando está em rotação em vazio ou activada).

## Utilização e manutenção de ferramentas eléctricas

- **Não force a ferramenta eléctrica. Use a ferramenta eléctrica correcta para a sua aplicação.** A ferramenta eléctrica correcta fará um trabalho melhor e mais seguro ao ritmo para o qual foi desenhada.
- **Não use a ferramenta eléctrica se o interruptor não ligar ou desligar.** Qualquer ferramenta eléctrica que não possa ser controlada com o interruptor é perigosa e tem de ser reparada.



- **Desligue a ficha da fonte de alimentação eléctrica e/ou retire a bateria, se amovível, da ferramenta eléctrica antes de efetuar qualquer ajuste, mudar acessórios ou guardar ferramentas eléctricas.** Estas medidas de prevenção reduzem o risco de ligar a ferramenta eléctrica acidentalmente.
- **Guarde ferramentas eléctricas que não estão na ser utilizadas fora do alcance das crianças e não permita que qualquer pessoa não familiarizada com a ferramenta eléctrica ou com as suas instruções maneje a ferramenta eléctrica.** As ferramentas eléctricas são perigosas nas mãos de utilizadores inexperientes.
- **Efetue a manutenção das ferramentas eléctricas e dos acessórios. Verifique quanto a desalinhamentos ou bloqueio de peças móveis, danos de peças e qualquer outra condição que possa afectar o funcionamento da ferramenta eléctrica. Se estiver danificada, repare a ferramenta eléctrica antes de a usar.** Muitos acidentes são causados por ferramentas eléctricas com má manutenção.
- **Mantenha as ferramentas de corte afiadas e limpas.** Ferramentas de corte com as zonas de corte afiadas e bem mantidas têm menos probabilidades de bloquear e são mais fáceis de controlar.
- **Use a ferramenta eléctrica, acessórios e brocas, etc. de acordo com estas instruções, tomando em consideração as condições de funcionamento e o trabalho a ser executado.** A utilização da ferramenta eléctrica para operações diferentes das previstas pode resultar numa situação perigosa.
- **Mantenha os punhos e as superfícies onde se segura secos, limpos e sem óleo nem massa lubrificante.** As superfícies onde se segura e os punhos escorregadios não permitem um controlo e um manuseamento seguros do produto em situações inesperadas.

### Utilização e manutenção da bateria

- **Recarregue a bateria apenas com o carregador especificado pelo fabricante.** Um carregador adequado para um tipo de bateria pode criar risco de incêndio quando usado com outra bateria.
- **Utilize produtos apenas com as baterias especificamente concebidas para os mesmos.** A utilização de quaisquer outras baterias pode criar risco de ferimentos e incêndio.
- **Quando a bateria não está a ser utilizada, mantenha-a afastada de outros objetos metálicos, como clips, moedas, chaves, pregos, parafusos ou outros objetos metálicos pequenos que possam fazer a ligação entre os dois terminais.** Provocar curto-circuitos nos terminais das baterias pode provocar queimaduras ou um incêndio.
- **Em condições extremas, é possível que o líquido da bateria verta; evite o contacto. Se ocorrer algum contacto accidental, lave com água. Se o líquido entrar em contacto com os olhos, procure assistência médica adicional.** O líquido vertido da bateria pode provocar irritações ou queimaduras.

- **Não utilize uma bateria ou uma ferramenta que se encontre danificada ou modificada.** As baterias danificadas ou modificadas podem apresentar um comportamento imprevisível que pode resultar em incêndios, explosões ou ferimentos graves.
- **Não exponha uma bateria ou uma ferramenta a fogo ou temperaturas excessivas.** A exposição a fogo ou temperaturas superiores a 130 °C pode provocar uma explosão.
- **Siga todas as instruções de carregamento e não carregue a bateria ou a ferramenta fora do intervalo de temperatura especificado nas instruções.** Os carregamentos impróprios ou a temperaturas fora do intervalo especificado podem danificar a bateria e aumentar o risco de incêndio.

### Assistência

- **Garanta que a manutenção da sua ferramenta eléctrica é efetuada por um técnico de reparações qualificado e que utilize apenas peças de substituição idênticas.** Isto irá assegurar que a segurança das ferramentas eléctricas é mantida.
- **Nunca deve efetuar a manutenção de baterias danificadas.** A manutenção das baterias deve ser efetuada apenas pelo fabricante ou por prestadores de serviços autorizados.

### Use sempre o seu bom senso

Não é possível cobrir todas as situações possíveis que poderá enfrentar. Actue sempre com precaução e use de senso comum. Evite todas as situações que considere estarem para além das suas capacidades. Caso se sinta inseguro acerca dos procedimentos de operação depois de ler estas instruções, consulte um perito antes de prosseguir.



**ATENÇÃO:** Nunca permita que uma criança utilize a máquina ou se encontre na proximidade da mesma. Uma vez que a máquina se liga facilmente, as crianças podem conseguir ligá-la se não forem vigiadas em permanência. Isto pode implicar um risco de ferimentos pessoais graves. Por isso, desligue a bateria quando a máquina não estiver sob vigilância.

### Instruções de segurança gerais



**ATENÇÃO:** Leia as instruções de aviso que se seguem antes de utilizar o produto.

- Retire a bateria para evitar que o produto seja ligado acidentalmente.
- Se o utilizador não for cuidadoso ou se o produto for utilizado de forma incorreta, este produto é uma ferramenta perigosa. Este produto pode provocar ferimentos graves ou a morte do utilizador ou terceiros.

- Não utilize o produto se este for alterado da sua especificação inicial. Não altere uma parte do produto sem a aprovação do fabricante. Utilize apenas peças que sejam aprovadas pelo fabricante. Ferimentos ou morte são resultados possíveis de manutenção incorreta.
- Verifique o produto antes de o utilizar. Consulte, *Verificação pré-arranque na página 311 e Antes de utilizar o produto na página 318*. Não utilize um produto que esteja danificado ou que não funcione corretamente. Efetue as verificações de segurança e cumpra as instruções de manutenção e assistência técnica descritas neste manual.
- As crianças devem ser vigiadas para garantir que não brinquem com o produto. Não permita em circunstância alguma que uma criança ou outras pessoas que não saibam utilizar o produto e/ou a bateria o utilizem ou realizem operações de manutenção. A legislação local pode regular a idade do utilizador permitida.
- Mantenha o produto numa área trancada para impedir o acesso a crianças ou pessoas que não disponham de aprovação.
- Mantenha o produto fora do alcance de crianças.
- Não é permitido modificar, em circunstância alguma, a configuração original do produto sem a autorização expressa do fabricante. Utilize sempre acessórios originais. A realização de modificações e/ou a utilização de acessórios não autorizados podem provocar ferimentos pessoais graves ou perigo de vida para o utilizador e terceiros.
- **Mantenha as proteções no devido lugar. As proteções têm de estar em bom estado de funcionamento e corretamente montadas.** Uma proteção solta, danificada ou a funcionar incorretamente pode resultar em ferimentos pessoais.
- **Mantenha todas as entradas de ar de refrigeração livres de detritos.** Entradas de ar obstruídas e detritos podem resultar em sobreaquecimento ou risco de incêndio.
- **Utilize sempre proteção ocular e auricular.** O equipamento de proteção adequado reduz os ferimentos pessoais.
- **Durante o funcionamento da máquina, utilize sempre calçado antiderrapante e de proteção. Não opere a máquina se estiver descalço ou com sandálias abertas.** Isto reduz a possibilidade de ferimentos nos pés devido ao contacto com a lâmina em movimento.
- **Utilize sempre vestuário, como calças, que proteja as pernas durante o funcionamento da máquina.** O contacto com a lâmina ou linha em movimento pode provocar ferimentos.
- **Mantenha as pessoas afastadas durante o funcionamento da máquina.** A projeção de detritos pode causar ferimentos pessoais graves.
- **Não opere a máquina acima da altura da cintura.** Isto ajuda a evitar o contacto accidental da lâmina com objetos e proporciona um melhor controlo da máquina em situações imprevistas.
- **Tenha cuidado ao utilizar a máquina em relva molhada. Caminhe, nunca corra.** Isto reduz o risco de escorregamento e queda, que pode resultar em ferimentos pessoais.
- **Não opere a máquina em declives excessivamente íngremes.** Isto reduz o risco de perda de controlo, escorregamento e queda, que pode resultar em ferimentos pessoais.
- **Ao trabalhar em declives, certifique-se sempre da colocação dos pés, trabalhe sempre ao longo da face dos declives, nunca para cima ou para baixo, e tenha muito cuidado ao mudar de direção.** Isto reduz o risco de perda de controlo, escorregamento e queda, que pode resultar em ferimentos pessoais.
- **Mantenha todos os fios elétricos e outros cabos afastados da área de corte.** Os cabos ou fios elétricos podem estar ocultos em sebes ou arbustos e podem ser acidentalmente cortados ou danificados pela linha ou lâmina.
- **Mantenha todas as partes do corpo afastadas da lâmina ou linha do aparador em movimento. Não retire material da máquina até que esta tenha sido desligada da fonte de alimentação.** A lâmina ou linha do aparador em movimento pode provocar ferimentos pessoais graves.
- **Transporte a máquina desligada e afastada do seu corpo.** O manuseamento adequado da máquina irá reduzir a probabilidade de contacto accidental com a lâmina ou linha do aparador em movimento.

**Nota:** A utilização pode estar sujeita a legislação nacional ou local. Respeite os regulamentos estabelecidos.

## Instruções de segurança para funcionamento



**ATENÇÃO:** Leia as instruções de aviso que se seguem antes de utilizar o produto.

- **Não utilize a máquina em más condições climáticas, principalmente quando existir risco de ocorrência de relâmpagos.** Isto diminui o risco de ser atingido por relâmpagos.
- **Inspecione cuidadosamente a área quanto à existência de vida selvagem no local onde a máquina será utilizada.** A vida selvagem pode ser ferida pela máquina durante o funcionamento.
- **Inspecione minuciosamente a área onde a máquina será utilizada e retire todas as pedras, paus, fios, ossos e outros objetos estranhos.** Os objetos projetados podem causar ferimentos pessoais.
- **Antes de utilizar a máquina, verifique sempre visualmente se a lâmina e o conjunto da lâmina não se encontram danificados.** As peças danificadas aumentam o risco de ferimentos.

- **Utilize apenas cabeças de corte e lâminas ou linhas do aparador de substituição especificadas pelo fabricante. Não substitua as lâminas ou linhas do aparador por fios ou lâminas metálicos.** As peças de substituição incorretas podem causar perda de controlo, quebra e ferimentos.

## Equipamento de proteção pessoal



**ATENÇÃO:** Leia as instruções de aviso que se seguem antes de utilizar o produto.

- Utilize sempre equipamento de proteção pessoal aprovado ao utilizar o produto. O equipamento de proteção pessoal não previne totalmente os ferimentos mas diminui a respetiva gravidade em caso de acidente. Obtenha ajuda junto do seu revendedor para selecionar o equipamento certo.
- Utilize protetores acústicos aprovados.

(Fig. 17)

- Utilize proteção ocular aprovada. Mesmo com viseira, é necessário utilizar óculos de proteção aprovados. É necessário que os óculos de proteção aprovados estejam em conformidade com a norma ANSI Z87.1 nos EUA ou a norma EN 166 nos países da UE.

(Fig. 18)

- Utilize luvas sempre que necessário; por exemplo, ao fixar, examinar ou limpar o equipamento de corte.

(Fig. 19)

- Utilize botas de proteção com biqueira de aço e solas antiderrapantes.

(Fig. 20)

- Utilize vestuário fabricado com um tecido resistente. Utilize sempre calças e mangas compridas grossas. Não utilize vestuário largo que possa ficar preso em galhos e ramos. Não utilize joias, calções ou sandálias. Não realize as tarefas descalço(a). Coloque o seu cabelo acima dos ombros para maior segurança.
- Mantenha equipamentos de primeiros socorros sempre à mão.

(Fig. 21)

## Dispositivos de segurança no produto



**ATENÇÃO:** Leia as instruções de aviso que se seguem antes de utilizar o produto.

Nesta secção, descrevem-se as características de segurança do produto, a sua função e ainda a forma de efetuar a verificação e manutenção para garantir o funcionamento correto do mesmo. Consulte as instruções na secção *Introdução na página 310* para conhecer a localização destas peças no seu produto.

Se a manutenção do produto não for devidamente efetuada, e se a assistência e/ou as reparações não forem realizadas por profissionais, a vida útil do produto pode ser afetada e o risco de acidentes pode aumentar. Para obter mais informações, contacte o seu distribuidor local.



**ATENÇÃO:** Nunca utilize um produto com componentes de segurança danificados. O equipamento de segurança do produto tem de ser inspecionado e a sua manutenção feita conforme se descreve nesta secção. Se o produto falhar alguma destas verificações, entre em contacto com uma oficina autorizada para a sua reparação.



**CUIDADO:** Todos os trabalhos de manutenção e reparação da máquina requerem formação especializada. Isto aplica-se especialmente ao equipamento de segurança da máquina. Se a máquina falhar alguma das verificações que se seguem, é necessário contactar a sua oficina autorizada. A compra de qualquer um dos nossos produtos garante-lhe a obtenção de reparação e assistência profissionais. Se o local da compra da máquina não for um dos nossos distribuidores com assistência técnica, solicite a morada do agente de assistência mais próximo.

## Verificar o teclado

1. Prima e mantenha premido o botão de arranque/paragem (A). (Fig. 22)
  - a) O produto está ligado quando o LED (B) está aceso.
  - b) O produto está desligado quando o LED (B) está apagado.
2. Consulte *Teclado na página 322* se o indicador de aviso (C) se acender ou ficar intermitente.

## Verificar o bloqueio do interruptor de alimentação

O bloqueio do interruptor de alimentação impede um arranque acidental. Ao premir o bloqueio do interruptor de alimentação (A), este solta o interruptor de alimentação (B). Quando solta o punho, o interruptor de alimentação e o respetivo bloqueio regressam às suas posições iniciais.

(Fig. 23)

1. Certifique-se de que o interruptor de alimentação está bloqueado quando o bloqueio do interruptor de alimentação se encontra na respetiva posição inicial. (Fig. 24)
2. Empurre o interruptor de alimentação e certifique-se de que este regressa à respetiva posição inicial quando é libertado. (Fig. 25)

3. Certifique-se de que o interruptor de alimentação e o respetivo bloqueio se deslocam livremente e que a mola de retorno funciona corretamente. (Fig. 26)
4. Ligue o produto. Consulte *Arranque na página 319*.
5. Aplique a potência máxima.
6. Solte o interruptor de alimentação e certifique-se de que o acessório de corte para completamente.

#### Verificar a proteção do acessório de corte



**ATENÇÃO:** Não utilize um acessório de corte sem uma proteção para o acessório de corte aprovada e corretamente instalada. Utilize sempre a proteção do equipamento de corte recomendada para o equipamento de corte que utilizar; consulte *Especificações técnicas na página 323*. Caso esteja montada uma proteção do acessório de corte incorreta ou defeituosa, tal pode causar ferimentos pessoais graves.

A proteção do acessório de corte protege o utilizador dos objetos que são projetados na sua direção. A proteção do acessório de corte também evita ferimentos que podem ocorrer se tocar no acessório de corte.

1. Pare o motor.
2. Efetue uma inspeção visual para verificar se existem danos, como por exemplo fissuras.
3. Substitua a proteção do equipamento de corte, caso esteja danificada.

#### Equipamento de corte

Selecione o equipamento de corte correto e efetue a manutenção do equipamento de corte para:

- Obter o máximo desempenho de corte.
- Aumentar a vida útil do equipamento de corte.



**ATENÇÃO:** Utilize apenas acessórios de corte com as proteções recomendadas! Consulte *Especificações técnicas na página 323*. Consulte as instruções do acessório de corte para encontrar a forma correta de carregar a linha do aparador e o respetivo diâmetro correto.



**ATENÇÃO:** Um acessório de corte danificado pode aumentar o risco de acidentes.



**ATENÇÃO:** Pare sempre o motor antes de efetuar o trabalho no acessório de corte. Este continua a girar depois de libertar o acelerador. Certifique-se de que o acessório de corte parou completamente e retire a

cobertura da vela de ignição antes de realizar qualquer trabalho.

#### Cabeçote de recorte



**ATENÇÃO:** Certifique-se sempre de que a linha do aparador é enrolada firme e uniformemente à volta do tambor, para evitar a ocorrência de vibrações prejudiciais.

(Fig. 27)

- Utilize apenas linhas e cabeças do aparador recomendadas.
- Utilize apenas acessórios de corte recomendados.
- Máquinas mais pequenas requerem cabeças do aparador pequenas e vice-versa.
- O comprimento da linha do aparador é importante. Uma corda de corte mais comprida requer maior potência do motor do que uma corda mais curta de igual diâmetro.
- Certifique-se de que a cortadora da proteção de recorte está intacta. Isto corta a linha do aparador com o comprimento correto.
- Embeba a linha do aparador em água durante dois dias antes da utilização para aumentar a vida útil.

#### Segurança da bateria



**ATENÇÃO:** Leia as instruções de aviso que se seguem antes de utilizar o produto.

- Apenas utilize baterias das séries BLi e 40-B. Para obter mais informações, consulte *Especificações técnicas na página 323*. A bateria tem software encriptado.
- Utilize as baterias das séries BLi e 40-B recarregáveis como fonte de alimentação apenas para os produtos Husqvarna relacionados. Para evitar ferimentos, não utilize a bateria como fonte de alimentação para outros produtos.
- Risco de choque elétrico. Não ligue os terminais da bateria a chaves, moedas, parafusos ou outros metais. Caso contrário, pode provocar um curto-circuito da bateria.
- Não utilize baterias não recarregáveis.
- Não coloque objetos nas aberturas de ventilação da bateria.
- Mantenha a bateria afastada do sol, calor ou de chamas abertas. A bateria pode causar queimaduras e/ou queimaduras químicas.
- Mantenha a bateria afastada de chuva e condições de humidade.
- Mantenha a bateria afastada de micro-ondas e alta pressão.
- Não tente desmontar ou partir a bateria.
- Em caso de fuga da bateria, evite o contacto do líquido com a pele ou com os olhos. Em caso de

contacto com o líquido, limpe a área com água e sabão abundantes e procure assistência médica. Se o líquido entrar em contacto com os olhos, não os esfregue; lave os olhos com água durante, pelo menos, 15 minutos e procure assistência médica.

- Utilize a bateria a temperaturas entre -10 °C (14 °F) e 40 °C (114 °F).
- Não limpe a bateria nem o carregador de bateria com água. Consulte *Limpar o produto, a bateria e o carregador da bateria na página 321*.
- Não utilize uma bateria danificada ou com defeito.
- Mantenha as baterias armazenadas afastadas de objetos metálicos como, por exemplo, pregos, parafusos ou joias.
- Mantenha as baterias afastadas de crianças.

## Segurança do carregador de bateria



**ATENÇÃO:** Leia as instruções de aviso que se seguem antes de utilizar o produto.

- Risco de choque elétrico ou curto-circuito se as instruções de segurança não forem cumpridas.
- Não utilize outros carregadores de baterias que não o fornecido para o seu produto. Utilize apenas carregadores QC80 e 40-C80 para carregar as baterias de substituição das séries BLi e 40-B.
- Não tente desmontar o carregador de bateria.
- Não utilize um carregador de bateria que esteja com defeito ou danificado.
- Não utilize o cabo de alimentação para levantar o carregador de bateria. Para desligar o carregador de bateria de uma tomada elétrica, puxe a ficha. Não puxe o cabo de alimentação.
- Mantenha todos os cabos e cabos de extensão afastados de água, óleo e arestas afiadas. Certifique-se de que o cabo não fica entalado em objetos como, por exemplo, portas, cercas ou objetos equivalentes.
- Não utilize o carregador de bateria próximo de materiais inflamáveis ou materiais que possam provocar corrosão. Certifique-se de que o carregador de bateria não está coberto. Em caso de fumo ou fogo, desligue o carregador de bateria da tomada.
- Carregue a bateria apenas em espaços interiores, com um bom fluxo de ar e sem exposição à luz

solar. Não carregue a bateria no exterior. Não carregue a bateria em condições de humidade.

- Utilize apenas o carregador de bateria onde a temperatura se encontrar entre 5 °C (41 °F) e 40 °C (104 °F). Utilize o carregador em ambientes bem ventilados, secos e isentos de poeiras.
- Não coloque objetos nas aberturas de arrefecimento do carregador de bateria.
- Não ligue os terminais do carregador de bateria a objetos metálicos, uma vez que pode provocar um curto-circuito no carregador de bateria.
- Utilize tomadas de parede aprovadas e que não se encontrem danificadas. Certifique-se de que o cabo do carregador de bateria não está danificado. Se forem utilizados cabos de extensão, certifique-se de que os mesmos não estão danificados.
- Não carregue baterias não recarregáveis nos carregadores de bateria.

## Instruções de segurança para manutenção



**ATENÇÃO:** Leia as instruções de aviso que se seguem antes de efetuar tarefas de manutenção no produto.

- Retire a bateria antes de efetuar tarefas de manutenção, outras verificações, ou de montar o produto.
- O operador só pode efetuar as tarefas de manutenção e assistência descritas neste manual do utilizador. Contacte o seu revendedor com assistência técnica para tarefas de manutenção e assistência de maior extensão.
- Não limpe a bateria ou o carregador com água. Os detergentes fortes podem danificar o plástico.
- Se não proceder à manutenção, irá diminuir o ciclo de vida do produto e aumentar o risco de acidentes.
- É necessária formação especializada para todos os trabalhos de assistência e reparação, especialmente para os dispositivos de segurança do produto. Se, após efetuar tarefas de manutenção, nem todas as verificações deste manual forem aprovadas, contacte o seu revendedor com assistência técnica. Garantimos que existem reparações e assistência profissionais disponíveis para o seu produto.
- Utilize sempre peças sobresselentes originais.

## Montagem

### Introdução



**ATENÇÃO:** Certifique-se de que lê e compreende o capítulo sobre segurança antes de montar o produto.

### Fixar a proteção do aparador

1. Coloque a proteção do aparador encostada ao compartimento do motor. (Fig. 28).
2. Coloque o parafuso através do compartimento do motor e da proteção do aparador. (Fig. 29)
3. Aperte o parafuso.

## Montar a cabeça do aparador

1. Rode o eixo de saída até que o orifício do acionador fique alinhado com o orifício na caixa de engrenagem.
2. Instale o pino de bloqueio no orifício para bloquear o eixo.
3. Rode a cabeça do aparador para a esquerda. (Fig. 30)

## Montar o punho fechado

1. Instale o parafuso no punho fechado. (Fig. 31)
2. Monte o punho fechado no acessório do eixo.
3. Aperte os parafusos.
4. Ajuste o punho fechado para uma posição correta. Consulte *Ajustar o punho fechado e o eixo telescópico na página 319*.

## Instalar a proteção de plantas

1. Instale a proteção de plantas nos orifícios do compartimento do motor. (Fig. 32)

2. Certifique-se de que a proteção para plantas se pode deslocar livremente para a frente e para trás. (Fig. 33)

## Instalar o carregador de bateria 40-C80 na parede



**CUIDADO:** Não utilize uma chave de parafusos elétrica para instalar o carregador de bateria na parede. Uma chave de parafusos elétrica pode causar danos no carregador de bateria.

1. Instale o carregador de bateria na parede com os 2 parafusos (B). Utilize buchas (A), se necessário. (Fig. 34)
2. Instale os 2 tampões dos orifícios dos parafusos (C).
3. Ligue o cabo de alimentação ao carregador de bateria e a uma tomada de parede.

# Funcionamento

## Introdução



**ATENÇÃO:** Certifique-se de que lê e compreende o capítulo sobre segurança antes de usar o produto.

## Antes de utilizar o produto

- Inspeccione a área de trabalho para se certificar de que conhece o tipo de terreno. Examine a inclinação do terreno e se existem obstáculos como pedras, ramos e valas.
- Proceda a uma inspeção geral do produto.
- Efetue as inspeções de segurança, manutenção e assistência fornecidas neste manual.
- Examine o motor quanto a sujidades ou fissuras. Utilize uma escova para limpar o motor de relva ou folhas. Use luvas quando necessário.
- Examine a cabeça do aparador e a proteção do acessório de corte quanto a danos ou fissuras. Substitua a cabeça do aparador e a proteção do equipamento de corte, caso tenham sido atingidos ou se tiverem fissuras.
- Certifique-se de que todas as porcas e os parafusos estão bem apertados.
- Certifique-se de que todas as coberturas, proteções, punhos e equipamentos de corte estão devidamente

instalados e não danificados antes de colocar o produto a funcionar.

## Bateria



**ATENÇÃO:** Certifique-se de que lê e compreende o capítulo sobre segurança antes de utilizar a bateria. Certifique-se de que lê e compreende o manual do utilizador da bateria e do carregador de bateria.

Mantenha a bateria e o respetivo carregador de bateria a temperaturas ambiente corretas.

	Temperatura ambiente
Utilização da bateria	5 °C–40 °C/41 °F–104 °F
Carregamento da bateria	5 °C–40 °C/41 °F–104 °F

## Estado da bateria

O visor apresenta o estado de carga e a existência de problemas com a bateria.

(Fig. 35)

Indicador LED	Estado da bateria (estado de carga)	
	BLi10, BLi20	40-B70, 40-B140
4 luzes LED ligadas	N/A	A bateria tem uma carga entre 76% e 100%.
3 luzes LED ligadas	A bateria tem uma carga entre 76% e 100%.	A bateria tem uma carga entre 51% e 75%.
2 luzes LED ligadas	A bateria tem uma carga entre 51% e 75%.	A bateria tem uma carga entre 26% e 50%.
1 luz LED ligada	A bateria tem uma carga entre 26% e 50%.	A bateria tem uma carga entre 6% e 25%.
1 luz LED está intermitente	A bateria tem uma carga entre 0% e 25%.	A bateria tem uma carga entre 0% e 5%.

### Carregar a bateria

Carregue a bateria se se tratar da primeira vez que a utiliza. Uma bateria nova tem apenas 30% de carga.



**CUIDADO:** Ligue o carregador de bateria a uma tomada de alimentação com a tensão e a frequência especificadas na etiqueta de tipo.

A bateria não carrega se a respetiva temperatura for superior a 50 °C (122 °F).

1. Ligue o cabo de alimentação ao carregador de bateria.
2. Ligue o carregador de bateria a uma tomada de alimentação com ligação à terra. O LED de carregamento pisca uma vez. (Fig. 36)
3. Ligue a bateria ao carregador de bateria. O LED de carregamento acende-se. Carregue a bateria no máximo durante 24 horas. (Fig. 37)
4. Prima o botão indicador da bateria; se todos os indicadores LED se acenderem, a bateria está totalmente carregada.
5. Puxe a ficha de alimentação para desligar o carregador de bateria da tomada de alimentação. Não puxe o cabo de alimentação.
6. Retire a bateria do carregador da bateria.

### Para encaixar a bateria no produto



**ATENÇÃO:** Utilize apenas a bateria Husqvarna original para o produto.

1. Carregue totalmente a bateria.
2. Empurre a bateria para o suporte da bateria do produto. A bateria bloqueia na posição pretendida quando se ouve um clique. (Fig. 38)



**CUIDADO:** Se a bateria não se mover com facilidade no suporte da bateria, significa que não está instalada corretamente. Caso contrário, pode causar danos no produto.

### Arranque

1. Prima e mantenha premido o botão Start/Stop até o LED verde se acender. (Fig. 39)
2. Prima o bloqueio do interruptor de alimentação e o interruptor de alimentação. O equipamento de corte começa a rodar.

### Ajustar o punho fechado e o eixo telescópico

1. Desaperte o punho de bloqueio e ajuste o punho fechado para uma posição correta. (Fig. 40)
2. Feche o punho de bloqueio.
3. Solte a alavanca do eixo. (Fig. 41)
4. Defina o comprimento necessário no eixo. Certifique-se de que consegue ver o triângulo no eixo. (Fig. 42)
5. Feche a alavanca e aperte o parafuso.

**Nota:** Não fixe o punho fechado nos dísticos de aviso no eixo.

### Utilizar a função SavE

Este produto tem uma função de poupança de energia, SavE.

**Nota:** A função SavE não diminui a potência de corte do produto.

1. Prima o botão SavE no teclado.
2. Certifique-se de que o LED verde se acende.

3. Prima o botão SavE novamente para desativar a função. O LED verde apaga-se. (Fig. 43)

## Função de desativação automática

O produto tem uma função de desativação que para o produto, se este não for utilizado. O LED verde da indicação de arranque/paragem apaga-se e o produto para após 180 segundos.

## Utilizar o produto

### Aparar a relva

1. Mantenha a cabeça do aparador um pouco acima do solo a um determinado ângulo. Não empurre a linha do aparador para a relva. (Fig. 44)
2. Reduza o comprimento da linha do aparador em 10-12 cm/4-4,75 pol.
3. Reduza a velocidade do motor para diminuir o risco de danos nas plantas.
4. Utilize 80% da aceleração quando cortar relva perto de objetos. (Fig. 45)

### Limpar relva

1. Mantenha a cabeça do aparador acima do solo.
2. Incline a cabeça do aparador.
3. Corte com a extremidade da linha do aparador ao redor de objetos na área de trabalho.



**CUIDADO:** Corte relva. Outros objetos que sejam atingidos pela linha do aparador aumentam o desgaste da linha do aparador.

### Cortar a relva

1. Certifique-se de que a linha do aparador está paralela ao solo quando cortar. (Fig. 46)

2. Não empurre a cabeça do aparador para o solo. Caso contrário, pode causar danos no produto.
3. Desloque o produto de um lado para o outro quando cortar relva. Use a rotação máxima. (Fig. 47)

### Para aparar a relva

O fluxo de ar da linha do aparador a girar pode ser utilizado para remover a relva cortada de uma área.

1. Mantenha a cabeça e a linha do aparador paralelas ao solo e acima do mesmo.
2. Acelere ao máximo.
3. Mova a cabeça do aparador de um lado para o outro e apare a relva.



**ATENÇÃO:** Limpe a cobertura da cabeça do aparador sempre que instalar uma nova linha do aparador para evitar desequilíbrios e vibrações nos punhos. Efetue também uma verificação das outras peças da cabeça do aparador e limpe-as, se necessário.

### Desligar o produto

1. Solte o interruptor de alimentação e o bloqueio do interruptor de alimentação.
2. Prima o botão de arranque/paragem até o LED verde se apagar.
3. Prima os botões de desengate da bateria e retire a bateria do produto. (Fig. 48)

### Substituir a linha do aparador

Consulte a última página deste manual do utilizador.

## Manutenção

### Introdução



**ATENÇÃO:** Certifique-se de que leu e compreendeu o capítulo sobre segurança antes de realizar tarefas de manutenção no produto.

### Esquema de manutenção



**ATENÇÃO:** Retire a bateria antes de iniciar qualquer tarefa de manutenção.

A seguinte lista de tarefas de manutenção tem de ser realizada no produto. Consulte *Manutenção na página 320* para mais informações.

Manutenção	Diaria-mente	Semanal-mente	Mensal-mente
Limpe as peças externas do produto com um pano seco. Não utilize água.	X		
Verifique se o botão de arranque/paragem funciona corretamente e não está danificado.	X		



<b>Manutenção</b>	<b>Diariamente</b>	<b>Semanalmente</b>	<b>Mensalmente</b>
Certifique-se de que o interruptor de alimentação e o bloqueio do interruptor de alimentação funcionam corretamente e com segurança.	X		
Certifique-se de que todos os controles funcionam e não estão danificados.	X		
Mantenha os punhos secos, limpos e sem óleo nem massa lubrificante.	X		
Certifique-se de que o equipamento de corte não está danificado. Substitua o equipamento de corte, caso esteja danificado.	X		
Certifique-se de que a proteção do equipamento de corte não está danificada. Substitua a proteção do equipamento de corte, caso esteja danificada.	X		
Certifique-se de que os parafusos e as porcas estão apertados.	X		
Certifique-se de que os botões de desengate da bateria funcionam e fixam a bateria no produto.	X		
Verifique se o carregador da bateria não está danificado e se funciona corretamente.	X		
Certifique-se de que a bateria não está danificada.	X		
Certifique-se de que a bateria está carregada.	X		
Certifique-se de que o carregador da bateria não está danificado.	X		
Examine todos os cabos, acoplamentos e ligações. Certifique-se de que não estão danificados e que estão limpos.		X	
Verifique as ligações entre a bateria e o produto. Verifique a ligação entre a bateria e o carregador da bateria.			X

### **Examinar a bateria e o carregador da bateria**

1. Examine a bateria quanto à existência de danos, por exemplo, fissuras.
2. Examine o carregador da bateria quanto à existência de danos, por exemplo, fissuras.
3. Certifique-se de que o cabo de ligação do carregador da bateria não está danificado nem apresenta fissuras.

### **Limpar o produto, a bateria e o carregador da bateria**

1. Limpe o produto com um pano seco após a utilização.
2. Limpe a bateria e o carregador da bateria com um pano seco. Mantenha as calhas de guia da bateria limpas.

3. Certifique-se de que os terminais da bateria e do carregador da bateria se encontram limpos antes de colocar a bateria no carregador da bateria ou no produto.

### **Analisar e substituir a cabeça do aparador**

1. Verifique se a cabeça do aparador apresenta danos e fissuras.
2. Retire o conjunto da calha da linha do aparador.
3. Retire a cabeça do aparador. (Fig. 49)
4. Substitua o cabeçote de recorte.
5. Monte a cabeça do aparador. Consulte *Montar a cabeça do aparador na página 318*.

## Resolução de problemas

### Teclado

Ecrã de LED	Avarias possíveis	Soluções possíveis
LED de erro intermitente.	Sobrecarga	O acessório de corte não consegue mover-se livremente. Solte o acessório de corte.
	Desvio de temperatura	Deixe o produto arrefecer.
O produto não liga.	Prima o interruptor de alimentação e o botão de arranque ao mesmo tempo.	Solte o interruptor de alimentação e pare o produto.
LED de erro aceso com uma luz vermelha.	É necessário proceder à manutenção do produto	Contacte o seu revendedor de assistência.

### Bateria

Ecrã LED	Avarias possíveis	Ação possível
LED verde intermitente.	Tensão da bateria baixa.	Carregue a bateria.
LED de erro intermitente.	Desvio de temperatura.	Utilize a bateria a temperaturas entre -10°C (14°F) e 40°C (104°F).
	Tensão excessiva.	Certifique-se de que a tensão da rede elétrica coincide com a tensão indicada na etiqueta de tipo do produto. Retire a bateria do carregador da bateria.
LED de erro aceso.	Diferença entre células demasiado elevada (1 V).	Contacte o seu revendedor com assistência técnica.

### Carregador de bateria

Problema	Falhas possíveis	Solução possível
O LED de carregamento está vermelho.	Erro do carregador de bateria permanente.	Contacte o seu distribuidor.
O LED de carregamento fica verde intermitente.	Desvio de temperatura, a bateria encontra-se demasiado fria ou demasiado quente para utilizar ou carregar.	Deixe a bateria arrefecer ou aquecer. Quando a bateria estiver na temperatura correta, esta pode ser utilizada ou carregada novamente. Utilize o carregador de bateria a temperaturas ambiente entre 5 °C (41 °F) e 40 °C (104 °F).
O LED de carregamento fica vermelho intermitente.	Bateria defeituosa.	Contacte o seu distribuidor.

---

## Transporte, armazenamento e eliminação

---

### Transporte e armazenamento

- As baterias de íões de lítio fornecidas cumprem os requisitos da legislação sobre mercadorias perigosas.
- Cumpra o requisito especial sobre a embalagem e as etiquetas de transporte comercial, incluindo por terceiros e agentes transitários.
- Contacte uma pessoa com formação específica em material perigoso antes de enviar o produto. Cumpra todos os regulamentos nacionais aplicáveis.
- Utilize fita em contactos abertos quando colocar a bateria numa embalagem. Coloque a bateria na embalagem de forma fixa para impedir movimentos.
- Retire sempre a bateria para armazenamento ou transporte.
- Coloque a bateria e o carregador da bateria num espaço seco e sem humidade ou gelo.
- Não armazene a bateria numa área onde possa haver eletricidade estática. Não armazene a bateria numa caixa metálica.
- Coloque a bateria num local onde a temperatura varie entre 5 °C/41 °F e 25 °C/77 °F e esteja afastado da exposição à luz solar.
- Coloque o carregador da bateria num local onde a temperatura varie entre 5 °C/41 °F e 45 °C/113 °F e esteja afastado da exposição à luz solar.
- Utilize o carregador da bateria apenas quando a temperatura ambiente se encontrar entre os 5 °C/41 °F e os 40 °C/104 °F.

- Carregue a bateria entre 30% a 50% antes de a armazenar durante longos períodos de tempo.
- Armazene o carregador da bateria num espaço fechado e seco.
- Mantenha a bateria afastada do carregador da bateria durante o armazenamento. Não permita que crianças e outras pessoas não autorizadas entrem em contacto com o equipamento. Mantenha o equipamento num espaço que possa trancar.
- Antes de armazenar o produto durante longos períodos de tempo, limpe-o e efetue uma manutenção completa do mesmo.
- Utilize a proteção para transporte no produto para evitar ferimentos ou danos no produto durante o transporte e o armazenamento.
- Fixe o produto em segurança durante o transporte.

### Eliminação da bateria, do carregador da bateria e do produto

Os símbolos no produto ou na respetiva embalagem indicam que o produto não é resíduo doméstico. Recicle o equipamento numa estação de reciclagem para equipamentos elétricos e eletrónicos. Isto ajuda a evitar danos no ambiente e em pessoas.

Contacte as autoridades locais, o serviço de recolha de resíduos domésticos ou o seu concessionário para obter mais informações sobre como reciclar o seu produto.

---

## Especificações técnicas

---

### Especificações técnicas

	215iL
<b>Motor</b>	
Tipo de motor	BLDC
Velocidade do eixo de saída, rpm	6800
Largura de corte, mm	310
<b>Peso</b>	
Peso sem bateria, kg	2,9
<b>Emissões de ruído</b> <sup>58</sup>	

<sup>58</sup> Emissões de ruído para as imediações, medidas sob forma de potência sonora ( $L_{WA}$ ) em conformidade com a diretiva da CE 2000/14/CE. A diferença entre a potência sonora garantida e medida é que a potência sonora garantida inclui também a dispersão no resultado da medição e as variações entre diferentes produtos do mesmo modelo, consulte a diretiva 2000/14/CE.

	<b>215iL</b>
Nível de potência sonora, medido dB (A)	90,5
Nível de potência sonora, garantido L <sub>WA</sub> dB (A)	92
<b>Níveis sonoros</b> <sup>59</sup>	
Nível de pressão sonora equivalente junto ao ouvido do utilizador, medido de acordo com a norma EN ISO 50636-2-91, dB (A)	74,9
<b>Níveis de vibração</b> <sup>60</sup>	
Níveis de vibração nos punhos, medidos de acordo com a norma EN50636-2-91, m/s <sup>2</sup>	4,5 / 2,7
Equipado com cabeça do aparador (original), dianteira / traseira.	

### Baterias aprovadas para o produto

Bateria	BLi10		BLi20		40-B70	40-B140
Tipo	Iões de lítio		Iões de lítio		Iões de lítio	Iões de lítio
Capacidade da bateria, Ah	Consulte o dístico de classificação da bateria		Consulte o dístico de classificação da bateria		Consulte o dístico de classificação da bateria	Consulte o dístico de classificação da bateria
Tensão nominal, V	36	36,5	36	36,5	36	36
Peso, lb / kg	0,7	0,7	1,2	1,2	0,8	1,25

### Carregadores de bateria aprovados para o produto

Carregador da bateria	QC80	40-C80
Tensão de corrente elétrica, V	100-240	100-240
Frequência, Hz	50-60	50-60
Potência, W	100	72
Tensão de saída, V CC/ Amps, A	36/2	43/1,6

<sup>59</sup> Os dados registados para o nível de pressão sonora equivalente para o produto têm uma dispersão estatística típica (desvio padrão) de 2,5 dB(A).

<sup>60</sup> Os dados comunicados relativamente ao nível de vibração têm uma dispersão estatística típica (desvio padrão) de 1,5 m/s<sup>2</sup>.

---

## Acessórios

---

### Acessórios aprovados

Acessórios aprovados	Tipo	Protecção para equipamento de corte, Art. nº
Cabeça do aparador	R25B (cabo com Ø 2 mm)	529 96 69-01

## Declaração de conformidade

### Declaração UE de conformidade

A **Husqvarna AB**, SE-561 82 Huskvarna, Suécia,  
tel.: +46-36-146500, declara, sob sua inteira  
responsabilidade, que o produto:

<b>Descrição</b>	Aparador de relva a bateria
<b>Marca</b>	Husqvarna
<b>Tipo/Modelo</b>	215iL
<b>Identificação</b>	Os números de série referentes a 2024 e posteriores

estão em plena conformidade com as seguintes  
diretivas e regulamentos da UE:

Diretiva/regulamento	Descrição
2006/42/CE	"relativa a máquinas"
2014/30/UE	"relativa à compatibilidade eletromagnética"
2000/14/CE	"relativa a emissões de ruído para o ambiente"
2011/65/UE	"relativa à restrição do uso de determinadas substâncias perigosas em equipamento elétrico e eletrônico"

e que as seguintes normas e/ou especificações  
técnicas são aplicadas: EN 60335-1:2012/A15:2021,  
EN 50636-2-91:2014, EN IEC 63000:2018, EN IEC  
55014-1:2021; EN IEC 55014-2:2021.

Entidade competente: 0197 TÜV Rheinland LGA  
Products GmbH, Tillystraße 2, 90431 Nürnberg,  
Germany atribuiu a certificação de conformidade com  
a Diretiva 2000/14/CE do Conselho, procedimento de  
avaliação de conformidade: Anexo VI.

Para mais informações sobre as emissões de ruído,  
consulte *Especificações técnicas na página 323*.

Huskvarna, 2024-02-01



Claes Losdal, gestor de I&D, Husqvarna AB  
Responsável pela documentação técnica



## CUPRINS

Introducere.....	327	Transportul, depozitarea și eliminarea.....	339
Siguranță.....	328	Date tehnice.....	340
Asamblarea.....	334	Accesorii.....	341
Funcționarea.....	335	Declarație de conformitate.....	342
Întreținerea.....	337	Anexă .....	454
Depanarea.....	338		

---

## Introducere

---

### Descrierea produsului

Husqvarna 215iL este un trimmer de gazon cu baterie, cu un motor electric.

Se depun eforturi constant pentru a vă spori siguranța și eficiența în timpul funcționării. Adresați-vă reprezentantului de service pentru informații suplimentare.

### Destinația produsului

Produsul se utilizează cu fire pentru trimmer nemetalice, sârmă nemetalică sau elemente de tăiere flexibile

### Prezentare generală a produsului

(Fig. 1)

1. Cap de tunș
2. Apărătoarea accesoriului de tăiere
3. Arbore
4. Reglarea arborelui (telescop)
5. Mâner semicircular
6. Tastatură
7. Indicator de avertisment tastatură
8. Buton de pornire/oprire
9. Butonul SavE
10. Întrerupător
11. Mecanism de blocare întrerupător
12. Indicator de pornire și avertizare
13. Conector
14. Încărcător de baterie 40-C80
15. Încărcător de baterie QC80
16. Cablu de alimentare
17. Apărătoare de plante
18. Indicator de avertisment baterie
19. Stare baterie
20. Buton indicator baterie
21. Butoane de eliberare a bateriei
22. Baterie
23. Unealtă combinată
24. Manualul operatorului

### Simbolurile de pe produs

(Fig. 2) **AVERTISMENT:** Acest produs poate fi periculos și poate cauza vătămări corporale grave sau decesul operatorului sau al altor persoane. Aveți grijă și utilizați corect produsul.

(Fig. 3) Citiți cu atenție manualul operatorului și asigurați-vă că înțelegeți instrucțiunile înainte de utilizare.

nemetalice echivalente. Nu utilizați produsul pentru alte activități în afară de tăierea buruienilor, a ierbii sau a vegetației moi similare.

---

**Nota:** Reglementările la nivel național pot stabili limite ale funcționării produsului.

---

(Fig. 4) Utilizați ochelari de protecție.

(Fig. 5) Nu expuneți la ploaie.

(Fig. 6) Etichetă cu emisiile de zgomot în mediul înconjurător în conformitate cu directivele și cu reglementările din UE (incluzând și legislația din New South Wales) și din Regatul Unit. Datele privind emisiile de zgomot pot fi găsite pe eticheta mașinii și în capitolul Date tehnice.

(Fig. 7) Țineți trecătorii departe de produs.

(Fig. 8) Deconectați bateria înainte de a efectua lucrări de întreținere.

(Fig. 9) Produsul și ambalajul produsului nu pot fi tratate ca deșeuri menajere. Reciclați-l la un centru de reciclare pentru echipamente electrice și electronice.

(Fig. 10) Produsul respectă directivele UE aplicabile.

(Fig. 11) Produsul este în conformitate cu reglementările aplicabile în Regatul Unit.

(Fig. 12) Curent continuu.

**aaaassxxxxx**

Plăcuța de identificare sau textul imprimat cu laser indică numărul de serie. **aaaa** este anul fabricației și **ss** este săptămâna fabricației.

## Simbolurile de pe baterie și/sau de pe încărcătorul acesteia

(Fig. 16) Reciclați acest produs la un centru de reciclare pentru echipamente electrice și electronice. (Este valabilă numai pentru Europa)

(Fig. 13) Transformator autoprotejat.

(Fig. 14) Utilizați și păstrați încărcătorul de baterie numai în interior.

(Fig. 15) Izolație dublă.

## Deteriorarea produsului

Nu suntem responsabili pentru deteriorarea produsului dacă:

- produsul este reparat necorespunzător.
- produsul este reparat cu piese care nu provin de la producător sau care nu sunt aprobate de acesta.
- produsul are un accesoriu care nu provine de la producător sau care nu este aprobat de acesta.
- produsul nu este reparat la un centru de service omologat sau de o autoritate omologată.

## Siguranță

### Definiții privind siguranța

Avertismentele, atenționările și notele sunt utilizate pentru a desemna părți foarte importante din manual.



**AVERTISMENT:** Se utilizează dacă există risc de vătămare sau de deces pentru operator sau pentru trecători, în cazul în care instrucțiunile din manual nu sunt respectate.



**ATENȚIE:** Se utilizează dacă există un risc de deteriorare a produsului, a altor materiale sau a zonelor învecinate, dacă instrucțiunile din manual nu sunt respectate.

**Nota:** Se utilizează pentru a furniza mai multe informații care sunt necesare într-o situație dată.

### Avertismente generale privind siguranța uneltelor electrice



**AVERTISMENT:** Citiți toate avertismentele privind siguranța și toate instrucțiunile. Nerespectarea avertismentelor și instrucțiunilor poate avea ca rezultat șocuri electrice, incendii și/sau leziuni grave.

**Nota:** Păstrați toate avertismentele și instrucțiunile pentru consultări ulterioare. Termenul „unealtă electrică” folosit în avertismente se referă la unealta electrică (cu cablu) acționată de la rețeaua de alimentare sau la unealta electrică (fără cablu) acționată de baterii.

### Verificare înainte de pornire

- Scoateți întotdeauna bateria, pentru a preveni pornirea accidentală a produsului. Îndepărtați

întotdeauna bateria înainte de a efectua orice operații de întreținere asupra produsului.

- Înainte de a utiliza produsul după un impact, verificați să nu prezinte semne de uzură sau de deteriorare și reparați-le dacă este necesar.
- Inspectați zona de lucru. Îndepărtați toate obiectele libere, precum pietre, sticlă spartă, cuie, fire de oțel, sfoară etc. care pot fi proiectate sau se pot înfășura în jurul frezei sau apărătorii frezei.
- Verificați ca motorul să nu prezinte murdărie sau fisuri. Eliminați iarba și frunzele din motor, cu ajutorul unei perii. Atunci când este necesar, trebuie purtate mănuși.
- Verificați fixarea completă a capului de tuns pe trimmer.
- Verificați ca produsul să fie în perfectă stare de funcționare. Verificați ca toate șuruburile și piulițele să fie bine strânse.
- Verificați să nu fie deteriorate sau crăpate capul de tuns și apărătoarea pentru capul de tuns. Înlocuiți capul de tuns sau apărătoarea pentru capul de tuns dacă acestea au fost expuse la impact sau dacă sunt crăpate. Folosiți întotdeauna apărătoarea recomandată pentru accesoriul de tăiere pe care îl folosiți. Consultați capitolul Date tehnice.
- Operatorul produsului trebuie să se asigure că niciun animal nu se apropie la mai mult de 15 metri în timpul lucrărilor. Când mai mulți operatori lucrează în aceeași locație, distanța de siguranță trebuie să fie de cel puțin 15 metri.
- Efectuați o inspecție generală a produsului înainte de utilizare. Consultați programul de întreținere.
- Este posibil ca utilizarea să fie reglementată de norme naționale sau locale. Respectați reglementările aplicabile.

### Siguranța zonei de lucru

- **Păstrați zona de lucru curată și bine iluminată.** Zonele dezordonate sau întunecoase provoacă accidente.



- **Nu acționați uneltele electrice în atmosfere explozive, cum ar fi prezența lichidelor, a gazelor sau a prafului inflamabil.** Uneltele electrice produc scânteii care pot aprinde praful sau aburii.
- **Țineți la distanță copiii și alte persoane în timpul acționării unei unelte electrice.** Distragerea atenției poate cauza pierderea controlului.

### Siguranța privind echipamentele electrice

- **Ștecherile uneltei electrice trebuie să corespundă prizei. Nu modificați niciodată ștecherul. Nu utilizați nicio fișă de conectare a adaptorului cu unelte electrice cu împământare (legate la masă).** Ștecherile nemodificate și prizele potrivite reduc riscul de șoc electric.
- **Evitați contactul cu corpul a suprafețelor de împământare sau legate la masă, cum ar fi țevi, radiatoare, plite și răcitoare.** Există un pericol sporit de electrocutare dacă împământarea sau legarea la masă se face prin corpul dvs.
- **Nu expuneți uneltele electrice la ploaie sau la condiții de umezeală.** Apa care pătrunde într-o unealtă electrică va spori pericolul de electrocutare.
- **Nu folosiți cablul în mod abuziv. Nu utilizați niciodată cablul la transportarea, tragerea sau deconectarea uneltei electrice. Țineți cablul departe de căldură, ulei, muchii ascuțite sau piese în mișcare.** Cablurile avariate sau încălțite sporesc pericolul de electrocutare.
- **Când acționați o unealtă electrică în exterior, utilizați un cordon de racord potrivit pentru utilizarea în exterior.** Folosirea unui cablu adecvat pentru utilizarea la exterior reduce riscul de șoc electric.
- **Dacă funcționarea unei unelte electrice într-o locație cu umiditate mare nu poate fi evitată, utilizați o sursă cu dispozitiv de protecție împotriva curentului rezidual (RCD).** Folosirea unui întrerupător de curent rezidual reduce pericolul de electrocutare.

### Siguranța personală

- **Fiți atent la ceea ce faceți și acționați o unealtă electrică în mod rezonabil. Nu utilizați o unealtă electrică când sunteți obosit sau sub influența drogurilor, a alcoolului sau a medicamentelor.** Un moment de neatenție în timpul acționării uneltelor electrice poate duce la răni grave.
- **Utilizați echipamentul personal de protecție. Purtați întotdeauna ochelari de protecție.** Echipamentele de protecție, cum ar fi masca împotriva prafului, încălțăminte de protecție antiderapantă, casca sau protecția pentru auz utilizate în condiții corespunzătoare, vor reduce riscul de vătămări corporale.
- **Evitați pornirea accidentală. Verificați dacă comutatorul este în poziția OPRIT înainte de conectarea la o sursă de alimentare și/sau la baterii, înainte de ridicarea sau transportarea uneltei.** Transportarea uneltelor electrice având degetul poziționat pe comutator sau activarea uneltelor

electrice care au comutatorul pornit pot provoca accidente.

- **Îndepărtați toate cheile de reglare sau cheile fixe înaintea pornirii uneltei electrice.** O cheie fixă sau o cheie rămasă atașată la o piesă rotativă a uneltei electrice poate duce la răni.
- **Nu vă întindeți prea mult. Păstrați mereu o postură și un echilibru corespunzătoare.** Aceasta lucru permite un control mai bun al uneltei electrice în situații neașteptate.
- **Îmbrăcați-vă corespunzător. Nu purtați haine largi sau bijuterii. Țineți părul și îmbrăcămintea la distanță de piesele în mișcare.** Hainele largi, bijuteriile sau părul lung pot fi prinse în piesele în mișcare.
- **Dacă dispozitivele sunt dotate cu racorduri la instalații de extragere și colectare a prafului, asigurați-vă că acestea sunt conectate și utilizate corespunzător.** Colectarea prafului poate reduce pericolul de electrocutare.
- **Nu vă încredeți în familiaritatea dobândită din utilizarea frecventă a uneltelor; prin urmare, nu ignorați principiile de siguranță ale uneltelor.** O acțiune neglijentă poate duce la vătămări corporale grave într-o fracțiune de secundă.
- Emisiunea de vibrații din timpul folosirii efective a uneltei electrice poate fi diferită față de valoarea declarată, în funcție de modul în care este utilizată unealta. Operatorii trebuie să identifice măsurile de siguranță necesare pentru a se proteja, pe baza estimării expunerii în condițiile de folosire efectivă (luând în calcul toate părțile ciclului de funcționare, ca de exemplu momentele în care unealta este oprită și cele în care funcționează în gol, fără ca întrerupătorul să fie acționat).

### Utilizarea și întreținerea uneltei electrice

- **Nu forțați unealta electrică. Utilizați unealta electrică potrivită pentru aplicația dvs.** Unealta electrică potrivită va efectua lucrarea mai rapid și în condiții de siguranță mai bune la viteza de lucru pentru care a fost proiectată.
- **Nu utilizați unealta electrică în cazul în care nu poate fi pornită sau oprită de la comutator.** Orice unealtă electrică imposibil de controlat cu ajutorul comutatorului este periculoasă și trebuie reparată.
- **Deconectați ștecherul de la sursa de alimentare și/sau scoateți acumulatorul uneltei electrice, dacă este detașabil, înainte de a face reglaje, de a schimba accesoriile sau de a depozita unelte electrice.** Astfel de măsuri preventive de siguranță reduc riscul pornirii accidentale a uneltei electrice.
- **Nu lăsați uneltele electrice nefolosite la îndemâna copiilor și nu permiteți persoanelor care nu sunt familiarizate cu unealta electrică sau cu aceste instrucțiuni să o acționeze.** Uneltele electrice sunt periculoase în mâinile utilizatorilor neinstruiți.
- **Mențineți uneltele electrice și accesoriile acestora. Verificați centrarea sau legarea în corectă a pieselor în mișcare, ruperea pieselor și orice alte stări care pot afecta funcționarea uneltei electrice. Dacă este**

**avariată, duceți unealta electrică la reparat înainte de a o utiliza.** Multe accidente sunt provocate de uneltele electrice prost întreținute.

- **Păstrați uneltele de tăiere ascuțite și curate.** Este mai puțin probabil ca uneltele de tăiere cu tășuri ascuțite întreținute corespunzător să se blocheze și sunt mai ușor de controlat.
- **Utilizați unealta electrică, accesoriile și piesele din unealtă, etc. în conformitate cu aceste instrucțiuni, luând în considerare și condițiile de lucru și activitatea care urmează să fie efectuată.** Utilizarea uneltelor electrice pentru operații diferite de cele pentru care sunt destinate poate duce la apariția de situații periculoase.
- **Mențineți mânerele și suprafețele de prindere uscate, curate, fără ulei și unsoare.** Mânerele și suprafețele de prindere alunecoase nu permit manipularea și controlul în siguranță al uneltei în situații neprevăzute.

### Utilizarea și întreținerea uneltei cu baterie

- **Reîncărcați numai cu încărcătorul specificat de producător.** Un încărcător adecvat pentru un tip de baterie poate constitui pericol de incendiu atunci când este utilizat cu un alt tip de baterie.
- **Utilizați produsele numai cu bateriile special indicate.** Utilizarea unui alt tip de acumulatori poate constitui pericol de vătămări corporale și de incendiu.
- **Când acumulatorul nu este utilizat, păstrați-l departe de alte obiecte metalice, precum agrafe de birou, monede, chei, cuie, șuruburi sau alte obiecte mici de metal, care pot crea o conexiune între borne.** Scurtcircuitarea bornelor bateriei poate cauza arsuri sau incendii.
- **În condiții de utilizare neadecvată, din baterie pot ieși stropi de lichid; evitați contactul. Totuși, dacă intrați accidental în contact cu lichidul respectiv, spălați cu apă. Dacă lichidul intră în contact cu ochii, consultați un medic.** Lichidul care se scurge din baterie poate cauza iritații sau arsuri.
- **Nu utilizați acumulatorii sau unelte deteriorate sau modificate.** Bateriile deteriorate sau modificate pot prezenta un comportament impredictibil, care poate duce la incendii, explozii sau pericol de vătămări corporale.
- **Nu expuneți acumulatorii sau uneltele la flăcări sau temperaturi excesive.** Expunerea la flăcări sau la temperaturi de peste 130 °C poate cauza explozii.
- **Urmați toate instrucțiunile de încărcare și nu încărcați acumulatorul sau unealta în afara intervalului de temperatură specificat în instrucțiuni.** Încărcarea incorectă sau la temperaturi în afara intervalului specificat poate duce la deteriorarea bateriei și crește pericolul de incendiu.

### Service

- **Cereți ca unealta dvs. electrică să fie reparată numai de un tehnician de reparații calificat, care să folosească numai piese de schimb identice.**

Acest lucru va asigura păstrarea siguranței uneltei electrice.

- **Nu reparați niciodată acumulatori deteriorați.** Repararea acumulatorilor trebuie efectuată numai de către producător sau de către furnizorii de servicii autorizate.

### Acționați întotdeauna cu discernământ.

Nu este posibil să prezentăm toate situațiile imaginabile cu care vă puteți confrunta. Lucrați întotdeauna cu atenție și folosiți-vă gândirea. Evitați toate situațiile pe care le considerați că vă depășesc capacitatea de reacție. Dacă totuși vă simțiți nesiguri în legătură cu procedurile de operare după citirea acestor instrucțiuni, trebuie să consultați un specialist înainte de a continua.



**AVERTISMENT:** Nu permiteți copiilor să folosească utilajul sau să stea în apropierea acestuia. Deoarece utilajul poate fi pornit cu ușurință, copiii îl pot porni dacă nu sunt supravegheați atent. Există riscul unor vătămări corporale grave. Așadar, deconectați bateria dacă utilajul nu se află sub supraveghere atentă.

### Instrucțiuni generale de siguranță



**AVERTISMENT:** Înainte de a utiliza produsul, citiți instrucțiunile de avertizare de mai jos.

- Scoateți bateria, pentru a preveni pornirea accidentală a produsului.
- Acest produs este o unealtă periculoasă dacă nu sunteți atent sau dacă utilizați produsul incorect. Acest produs poate cauza vătămări corporale grave sau decesul operatorului sau al altor persoane.
- Nu utilizați produsul dacă specificația sa inițială se modifică. Nu modificați o componentă a produsului fără aprobarea producătorului. Utilizați numai piese omologate de producător. Vătămurile corporale sau decesul constituie un posibil rezultat al întreținerii incorecte.
- Verificați produsul înainte de utilizare. Consultați *Verificare înainte de pornire la pagina 328 și Înainte de a utiliza produsul la pagina 335*. Nu folosiți produse deteriorate sau care nu funcționează corect. Efectuați verificările de siguranță, instrucțiunile de întreținere și de service descrise în acest manual.
- Copiii trebuie supravegheați, pentru a vă asigura că nu se joacă cu produsul. Nu permiteți copiilor sau altor persoane neinstruite cu privire la operarea produsului și/sau a bateriei să le utilizeze sau să le depaneze. Este posibil ca reglementările locale să limiteze vârsta operatorului.
- Păstrați produsul într-o zonă restricționată, pentru a împiedica accesul copiilor sau al persoanelor neautorizate.
- Nu depozitați produsul la îndemâna copiilor.

- Nu modificați sub nicio formă designul produsului fără permisiunea producătorului. Utilizați întotdeauna accesoriile originale. Modificările și/sau accesoriile neautorizate pot avea drept rezultat vătămări corporale grave sau decesul operatorului și al altor persoane.

**Nota:** Utilizarea poate fi reglementată de legislația națională sau locală. Respectați reglementările aplicabile.

## Instrucțiuni de siguranță pentru utilizare



**AVERTISMENT:** Înainte de a utiliza produsul, citiți instrucțiunile de avertizare de mai jos.

- **Nu utilizați mașina în condiții de vreme nefavorabilă, mai ales când există risc de descărcări electrice.** Astfel reduceți riscul să vă lovească trăsnetul.
- **Verificați temeinic zona în care urmează a fi utilizată mașina, pentru a vedea dacă nu există animale sălbatice.** Animalele sălbatice ar putea fi rănite de mașină în timp ce este în funcțiune.
- **Verificați temeinic zona în care urmează a fi utilizată mașina și înlăturați toate pietrele, bețele, cablurile, oasele și alte obiecte străine.** Obiectele proiectate pot provoca vătămări corporale.
- **Înainte de a folosi mașina, întotdeauna verificați vizual dacă cuișitul și ansamblul de tăiere nu sunt deteriorate.** Componentele deteriorate sporesc riscul de vătămare corporală.
- **Păstrați apărătorile montate. Apărătorile trebuie să fie în stare adecvată pentru lucru și montate corect.** O apărătoare slăbită, deteriorată sau care nu funcționează corect poate duce la vătămări corporale.
- **Mențineți toate admisile de aer de răcire neobstrucționate de resturi.** Blocarea admisilor de aer și resturile pot duce la supraîncălzire sau incendiu.
- **Purtați ochelari de protecție și echipament de protecție pentru urechi.** Echipamentul de protecție adecvat va reduce eventualele vătămări corporale.
- **În timp ce folosiți mașina, purtați mereu încălțăminte antiderapantă de protecție. Nu folosiți aparatul în picioarele goale sau purtând sandale.** Astfel reduceți riscul de rănire a picioarelor în eventualitatea contactului cu cuișitul aflat în mișcare.
- **Purtați întotdeauna haine precum pantaloni lungi, care să vă acopere picioarele, când folosiți mașina.** Contactul cu firul sau cu cuișitul aflat în mișcare poate provoca vătămări corporale.
- **Țineți trecătorii la distanță în timp ce folosiți mașina.** Resturile proiectate pot duce la vătămări corporale grave.
- **Nu folosiți mașina deasupra înălțimii taliei.** În acest mod se previne contactul neintenționat cu cuișitul și se controlează mai bine mașina în situații neașteptate.
- **Aveți grijă când folosiți mașina pe iarbă udă. Mergeți, nu alergați niciodată.** Astfel reduceți riscul de alunecare și cădere, care pot duce la vătămări corporale.
- **Nu folosiți mașina pe pante prea înclinate.** Astfel scade riscul de pierdere a controlului, de alunecare și cădere, care pot duce la vătămări corporale.
- **Când lucrați pe pante, asigurați-vă întotdeauna că aveți o poziție stabilă, lucrați mereu orizontal pe suprafața pantei, niciodată în sus și în jos și aveți foarte mare grijă când schimbați direcția.** Astfel scade riscul de pierdere a controlului, de alunecare și cădere, care pot duce la vătămări corporale.
- **Țineți toate cablurile și firele electrice departe de zona de tăiere.** În arbuști sau garduri vii ar putea fi ascunse cabluri sau fire electrice, care pot fi tăiate sau deteriorate accidental de fir sau cuișit.
- **Aveți grijă ca nicio parte a corpului dvs. să nu se afle aproape de cuișitul sau firul trimmerului. Nu curățați resturile de pe mașină până când aceasta nu a fost deconectată de la sursa de alimentare.** Cuișitul sau firul în mișcare pot provoca vătămări corporale grave.
- **Transportați mașina oprită și depărtată de corpul dvs.** Manevrarea adecvată a mașinii va reduce probabilitatea contactului accidental cu un cuișit sau fir aflat în mișcare.
- **Folosiți numai capete de tăiere și cuișite sau fire de trimmer de schimb specificate de producător. Nu înlocuiți cuișitele sau firele trimmerului cu fire sau lame de metal.** Componentele de schimb neadecvate pot duce la pierderea controlului, deteriorare și rănire.

## Echipament de protecție personală



**AVERTISMENT:** Înainte de a utiliza produsul, citiți instrucțiunile de avertizare de mai jos.

- Utilizați întotdeauna echipamente de protecție personală atunci când folosiți produsul. Echipamentele de protecție personală nu pot elimina complet riscul de rănire, însă pot reduce gravitatea rănilor în cazul unui accident. Distribuitorul vă poate ajuta să alegeți echipamentul corect.
- Utilizați un sistem omologat de protecție a auzului.  
(Fig. 17)
- Utilizați ochelari de protecție omologați. Dacă utilizați un vizor de protecție, trebuie să purtați și ochelari de protecție. Ochelarii de protecție trebuie să fie conformi cu standardul ANSI Z87.1 în S.U.A. sau EN 166 în țările din UE.  
(Fig. 18)
- Purtați mănuși atunci când este necesar, de exemplu atunci când conectați, inspectați sau curățați echipamentul de tăiere.

(Fig. 19)

- Utilizați cizme de protecție cu bombeuri din oțel și tălpi antiderapante.

(Fig. 20)

- Purtați haine din țesături rezistente. Purtați întotdeauna pantaloni lungi, din material gros, și îmbrăcăminte cu mâneci lungi. Nu purtați haine largi, care se pot prinde în smicele și ramuri. Nu folosiți bijuterii, pantaloni scurți sau sandale. Nu utilizați produsul cu picioarele goale. Strângeți-vă părul în siguranță, deasupra nivelului umărului.
- Păstrați echipamentul de prim ajutor în apropiere.

(Fig. 21)

## Dispozitivele de siguranță de pe produs



**AVERTISMENT:** Înainte de a utiliza produsul, citiți instrucțiunile de avertizare de mai jos.

În această secțiune sunt descrise caracteristicile de siguranță al produsului, scopul său și modul în care trebuie efectuate verificările și întreținerea pentru a asigura funcționarea corectă. A se vedea instrucțiunile din capitolul *Introducere la pagina 327* pentru a afla unde sunt amplasate aceste piese pe produsul dvs.

Durata de viață a produsului se poate reduce, iar riscul de accidente se poate mări dacă întreținerea produsului nu este efectuată corect, iar reglarea și/sau reparațiile nu sunt executate în mod profesional. Dacă aveți nevoie de informații suplimentare, contactați cel mai apropiat furnizor de service.



**AVERTISMENT:** Nu utilizați niciodată un produs cu componente de siguranță deteriorate. Echipamentul de siguranță al produsului trebuie inspectat și întreținut conform indicațiilor din acest capitol. Dacă produsul nu trece oricare dintre următoarele verificări, contactați agentul de service pentru reparații.



**ATENȚIE:** Toate activitățile de service și de reparații de pe aparat necesită instruire specială. Acest lucru este adevărat în special în legătură cu echipamentul de siguranță al aparatului. În cazul în care aparatul dvs. nu trece de oricare dintre verificările descrise mai jos, trebuie să vă contactați agentul de service. Atunci când achiziționați oricare dintre produsele noastre, garantăm disponibilitatea reparațiilor și service-ului profesionist. Dacă vânzătorul cu amănuntul care vă vinde aparatul nu este dealer de service, solicitați-i adresa celui mai apropiat agent de service.

## Verificarea tastaturii

1. Apăsăți și țineți apăsat butonul de start/oprire (A). (Fig. 22)
  - a) Produsul este pornit când este aprins LED-ul (B).
  - b) Produsul este oprit când este stins LED-ul (B).
2. Consultați *Tastatură la pagina 338* dacă indicatorul de avertisment (C) este aprins sau se aprinde intermitent.

## Verificarea opritorului întrerupătorului

Opritorul întrerupătorului previne pornirea accidentală. Când apăsați opritorul întrerupătorului (A), acesta eliberează întrerupătorul (B). Dacă eliberați mânerul, întrerupătorul și opritorul acestuia se deplasează înapoi în pozițiile lor inițiale.

(Fig. 23)

1. Asigurați-vă că întrerupătorul este blocat atunci când opritorul întrerupătorului este în poziția sa inițială. (Fig. 24)
2. Apăsăți întrerupătorul și asigurați-vă că revine la poziția inițială atunci când îl eliberați. (Fig. 25)
3. Asigurați-vă că întrerupătorul și dispozitivul său de blocare se mișcă liber și că arcul de rapel funcționează corect. (Fig. 26)
4. Porniți produsul. Consultați *Pornirea produsului la pagina 336*.
5. Aplicați puterea maximă.
6. Eliberați întrerupătorul și asigurați-vă că accesoriul de tăiere se oprește complet.

## Verificarea apărătorii accesoriului de tăiere



**AVERTISMENT:** Nu utilizați un accesoriu de tăiere fără o apărătoare aprobată și corect atașată a acestuia. Utilizați întotdeauna apărătoarea recomandată pentru accesoriul de tăiere pe care îl utilizați, consultați *Date tehnice la pagina 340*. Dacă este atașată o apărătoare incorectă sau defectă pentru accesoriul de tăiere, aceasta poate provoca vătămări corporale grave.

Apărătoarea accesoriului de tăiere oprește obiectele proiectate în direcția operatorului. Apărătoarea accesoriului de tăiere previne și vătămările corporale care pot apărea dacă atingeți accesoriul de tăiere.

1. Opriți motorul.
2. Verificați vizual eventualele deteriorări, de exemplu, crăpături.
3. Înlocuiți apărătoarea accesoriului de tăiere, dacă este deteriorată.

## Accesorii de tăiere

Selectați echipamentul de tăiere corect și efectuați întreținerea acestuia pentru a:

- Obține performanța maximă de tăiere.
- Prolunghi durata de viață a echipamentului de tăiere.



**AVERTISMENT:** Utilizați accesoriile de tăiere numai împreună cu apărătoarele pe care le recomandăm! Consultați *Date tehnice la pagina 340*. Consultați instrucțiunile pentru accesoriul de tăiere pentru a afla modul corect de încărcare a firului trimmerului și diametrul corect al firului trimmerului.



**AVERTISMENT:** Un accesoriu de tăiere defect poate crește pericolul de accidente.



**AVERTISMENT:** Opriti întotdeauna motorul înainte de a efectua lucrări la accesoriul de tăiere. Acesta continuă să se rotească după eliberarea accelerației. Asigurați-vă că accesoriul de tăiere s-a oprit complet și deconectați pipa bujei înainte de a începe să lucrați la acesta.

## Cap de tuns



**AVERTISMENT:** Asigurați-vă întotdeauna că firul trimmerului este înfășurat strâns și uniform în jurul tamburului pentru a evita vibrațiile dăunătoare.

(Fig. 27)

- Utilizați numai capetele de tuns și firele de trimmer recomandate.
- Utilizați numai accesoriile de tăiere recomandate.
- Dispozitivele mai mici necesită capete de tuns mici și invers.
- Lungimea firului trimmerului este importantă. Un fir mai lung al trimmerului necesită o putere mai mare a motorului decât un fir mai scurt al trimmerului cu același diametru.
- Asigurați-vă că freza de pe apărătoarea pentru capul de tuns este intactă. Aceasta taie firul trimmerului la lungimea corectă.
- Înmuiați firul trimmerului în apă timp de câteva zile înainte de utilizare, pentru a-i prelungi durata de viață.

## Siguranța bateriei



**AVERTISMENT:** Înainte de a utiliza produsul, citiți instrucțiunile de avertizare de mai jos.

- Folosiți numai bateria din seriile BLi și 40-B. Pentru detalii, consultați *Date tehnice la pagina 340*. Bateria este criptată prin software.
- Utilizați bateriile reîncărcabile din seriile BLi și 40-B ca sursă de alimentare numai pentru produsele Husqvarna asociate. Pentru a evita rănirea, nu folosiți bateria ca sursă de alimentare pentru alte dispozitive.
- Risc de electrocutare. Nu conectați bornele bateriei la chei, monede, șuruburi sau alte metale. Aceasta poate cauza scurtcircuitarea bateriei.
- Nu utilizați baterii nereîncărcabile.
- Nu puneți obiecte în fantele de aerisire a bateriei.
- Feriți bateria de lumina solară, de căldură sau de flăcări deschise. Bateria poate provoca arsuri și/sau arsuri chimice.
- Feriți bateria de ploaie și de condiții de umezeală.
- Feriți bateria de microunde și de înaltă presiune.
- Nu încercați să demontați sau să spargeți bateria.
- Dacă există scurgeri de lichid dintr-o baterie, nu lăsați lichidul să intre în contact cu pielea sau ochii. Dacă ați atins lichidul, curățați zona cu săpun și apă din abundență și consultați medicul. Dacă lichidul pătrunde în ochi, nu frecați, ci spălați-vă cu multă apă timp de cel puțin 15 minute și consultați medicul.
- Utilizați bateria la temperaturi între -10 °C (14 °F) și 40 °C (114 °F).
- Nu curățați niciodată cu apă bateria sau încărcătorul de baterii. Consultați *Curățarea produsului, bateriei și încărcătorului la pagina 338*.
- Nu utilizați o baterie defectă sau deteriorată.
- Depozitați bateriile la distanță de obiecte de metal, de exemplu cuie, șuruburi sau bijuterii.
- Nu lăsați bateria la îndemâna copiilor.

## Siguranța încărcătorului de baterii



**AVERTISMENT:** Înainte de a utiliza produsul, citiți instrucțiunile de avertizare de mai jos.

- Există riscul de electrocutare sau de scurtcircuit dacă nu sunt respectate instrucțiunile de siguranță.
- Nu utilizați alte încărcătoare de baterii decât cele furnizate pentru produsul dvs. Utilizați doar încărcătoare QC80 și 40-C80 când încărcați bateriile de schimb din seriile BLi și 40-B.
- Nu încercați să dezasamblați încărcătorul de baterii.
- Nu utilizați un încărcător de baterii defect sau deteriorat.

- Nu ridicați încărcătorul de baterii ținând de cablul de alimentare. Pentru a deconecta încărcătorul de baterii de la priză de perete, trageți de ștecăr. Nu trageți de cablul de alimentare.
- Feriți toate cablurile și prelungitoarele de apă, ulei și muchii ascuțite. Asigurați-vă că acest cablu nu este prins între obiecte, de exemplu uși, garduri sau în alte locuri similare.
- Nu utilizați încărcătorul de baterii în apropiere de materiale inflamabile sau materiale care pot cauza coroziune. Asigurați-vă că încărcătorul de baterii nu este acoperit. În caz de fum sau de incendiu, scoateți ștecărul încărcătorului de baterii.
- Încărcați bateria numai în interior, într-un loc cu aerisire adecvată și departe de lumina soarelui. Nu încărcați bateria în exterior. Nu încărcați bateria în medii umede.
- Utilizați încărcătorul de baterii la temperaturi între 5 °C (41 °F) și 40 °C (104 °F). Utilizați încărcătorul într-un mediu foarte bine ventilat, uscat și fără praf.
- Nu puneți obiecte în fantele de răcire a încărcătorului de baterii.
- Nu atingeți niciodată bornele încărcătorului de baterii cu obiecte metalice, deoarece se pot crea scurtcircuite.
- Utilizați prize aprobate care nu sunt deteriorate. Asigurați-vă că nu este deteriorat cablul încărcătorului. Dacă sunt utilizate cabluri prelungitoare, asigurați-vă că acestea nu sunt deteriorate.
- Nu încărcați baterii nereîncărcabile în încărcătorul de baterii.

## Instrucțiuni de siguranță pentru întreținere



**AVERTISMENT:** Înainte de a efectua lucrări de întreținere asupra produsului, citiți instrucțiunile de avertisment de mai jos.

- Scoateți bateria înainte de a efectua întreținerea, alte verificări sau de a asambla produsul.
- Operatorul trebuie să efectueze numai operațiile de întreținere și service indicate în acest manual al operatorului. Apelați la reprezentantul de service pentru întreținerea și service-ul de mai mare amploare.
- Nu curățați niciodată bateria sau încărcătorul cu apă. Detergentul puternic poate deteriora plasticul.
- Dacă nu efectuați operații de întreținere, durata de viață a produsului scade, iar pericolul de accidente crește.
- Este necesară instruirea profesională specială pentru toate lucrările de service și reparații, mai ales pentru dispozitivele de siguranță de pe produs. Dacă nu toate verificările din acest manual al operatorului sunt aprobate; după ce ați efectuat operațiile de întreținere, apelați la reprezentantul de service. Vă garantăm că există servicii profesionale de reparații și service disponibile pentru produsul dvs.
- Utilizați doar piese de schimb originale.

## Asamblarea

### Introducere



**AVERTISMENT:** Citiți și înțelegeți capitoul referitor la siguranță înainte de asamblarea produsului.

### Montarea apărătorii pentru capul de tuns

1. Puneți apărătoarea pentru capul de tuns pe carcasa motorului. (Fig. 28).
2. Montați șurubul prin carcasa motorului și apărătoarea pentru capul de tuns. (Fig. 29)
3. Strângeți șurubul.

### Asamblarea capului de tuns

1. Rotiți arborele de ieșire până când orificiul din discul de antrenare se aliniază cu orificiul din carcasa angrenajului.
2. Introduceți siguranța în orificiu pentru a bloca arborele.

3. Rotiți capul de tuns în sensul invers acelor de ceasornic. (Fig. 30)

### Montarea mânerului semicircular

1. Montați șurubul în mânerul semicircular. (Fig. 31)
2. Asamblați mânerul semicircular în accesoriul de pe arbore.
3. Strângeți șuruburile.
4. Reglați mânerul semicircular în poziția corectă. Consultați *Pentru a regla mânerul semicircular și arborele telescopic la pagina 336.*

### Montarea apărătorii de plante

1. Montați apărătoarea de plante în orificiile de pe carcasa motorului. (Fig. 32)
2. Asigurați-vă că apărătoarea de plante se poate deplasa liber înainte și înapoi. (Fig. 33)

## Instalarea încărcătorului de baterii 40-C80 pe perete



**ATENȚIE:** Nu utilizați o șurubelniță electrică pentru a monta încărcătorul de

baterii pe perete. Șurubelnița electrică poate cauza deteriorarea încărcătorului de baterii.

1. Montați încărcătorul de baterii pe perete cu cele 2 șuruburi (B). Utilizați dibluri (A) dacă este necesar. (Fig. 34)
2. Montați cele 2 șuruburi în dibluri (C).
3. Conectați cablul de alimentare la încărcătorul de baterii și la o priză.

## Funcționarea

### Introducere



**AVERTISMENT:** Citiți și înțelegeți capitolul referitor la siguranță înainte de utilizarea produsului.

### Înainte de a utiliza produsul

- Examinați zona de lucru pentru a vă asigura că știți despre ce tip de teren este vorba. Examinați panta și dacă există obstacole, precum pietre, ramuri și șanțuri.
- Efectuați o inspecție generală a produsului.
- Efectuați inspecțiile de siguranță, întreținerea și operațiile de service indicate în acest manual.
- Inspectați dacă motorul prezintă murdărie sau fisuri. Utilizați o perie pentru a curăța motorul de iarbă și frunze. Utilizați mănuși dacă este necesar.
- Examinați capul de tuns și apărătoarea accesoriului de tăiere pentru a vedea dacă nu prezintă deteriorări sau fisuri. Înlocuiți capul de tuns și apărătoarea accesoriului de tăiere dacă au suferit șocuri sau dacă prezintă fisuri.
- Verificați dacă toate șuruburile și piulițele sunt strânse bine.

- Asigurați-vă că toate capacele, apărătoarele, mânerul și echipamentul de tăiere sunt corect atașate și nu sunt deteriorate, înainte de a porni produsul.

### Baterie



**AVERTISMENT:** Citiți cu atenție capitolul referitor la siguranță înainte de a utiliza bateria. Citiți cu atenție informațiile privind bateria și încărcătorul din manualul operatorului.

Păstrați bateria și încărcătorul la temperaturile ambiante corecte.

	Temperatură ambiantă
Folosirea bateriei	5-40 °C / 41-104 °F
Încărcarea bateriei	5-40 °C / 41-104 °F

### Stare baterie

Afișajul arată starea de încărcare și dacă există probleme cu bateria.

(Fig. 35)

Indicator cu LED	Starea bateriei (starea de încărcare)	
	BLi10, BLi20	40-B70, 40-B140
4 LED-uri aprinse	N/A	Bateria este încărcată în proporție de 76-100%.
3 LED-uri aprinse	Bateria este încărcată în proporție de 76-100%.	Bateria este încărcată în proporție de 51-75%.
2 LED-uri aprinse	Bateria este încărcată în proporție de 51-75%.	Bateria este încărcată în proporție de 26-50%.
1 LED este aprins	Bateria este încărcată în proporție de 26-50%.	Bateria este încărcată în proporție de 6-25%.
1 LED luminează intermitent	Bateria este încărcată în proporție de 0-25%.	Bateria este încărcată în proporție de 0-5%.

## Încărcarea bateriei

Încărcați bateria dacă este prima dată când o folosiți. O baterie nouă este încărcată doar până la 30%.



**ATENȚIE:** Conectați încărcătorul de baterii la o priză de alimentare cu tensiunea și frecvența specificate pe plăcuța de identificare.

Bateria nu se încarcă dacă temperatura sa depășește 50 °C / 122 °F.

1. Conectați cablul de alimentare la încărcător.
2. Conectați încărcătorul la o priză cu împământare. LED-ul de încărcare luminează o dată. (Fig. 36)
3. Conectați bateria la încărcător. LED-ul de încărcare se aprinde. Încărcați bateria timp de maximum 24 de ore. (Fig. 37)
4. Apăsăți butonul indicator al bateriei dacă indicatoarele cu LED se aprind, bateria fiind complet încărcată.
5. Trageți fișa de alimentare pentru a deconecta încărcătorul de baterii de la priză. Nu trageți de cablul de alimentare.
6. Scoateți bateria din încărcător.

## Conectarea bateriei la produs



**AVERTISMENT:** Utilizați numai bateria Husqvarna inițială pentru produs.

1. Încărcați complet bateria.
2. Împingeți bateria în suportul de baterie al produsului. Când auziți un clic, înseamnă că bateria s-a blocat în poziția corectă. (Fig. 38)



**ATENȚIE:** Dacă bateria nu se deplasează cu ușurință în suportul de baterie, înseamnă că bateria nu este instalată corect. Aceasta poate deteriora produsul.

## Pornirea produsului

1. Apăsăți și țineți apăsat butonul de pornire/oprire până când LED-ul verde se aprinde. (Fig. 39)
2. Apăsăți opritorul întrerupătorului și întrerupătorul. Echipamentul de tăiere începe să se rotească.

## Pentru a regla mânerul semicircular și arborele telescopic

1. Slăbiți mânerul de blocare și reglați mânerul semicircular în poziția corectă. (Fig. 40)
2. Închideți mânerul de blocare.
3. Slăbiți pârghia pe arbore. (Fig. 41)

4. Reglați lungimea necesară a arborelui. Asigurați-vă că puteți vedea triunghiul pe arbore. (Fig. 42)
5. Închideți pârghia și strângeți șurubul.

**Nota:** Nu atașați mânerul semicircular pe autocolantele de avertisment de pe arbore.

## Utilizarea funcției SaveE

Acest produs are o funcție de economisire energie, SaveE.

**Nota:** Funcția SaveE nu reduce puterea de tăiere a produsului.

1. Apăsăți butonul SaveE de pe tastatură.
2. Asigurați-vă că LED-ul verde se aprinde.
3. Apăsăți din nou butonul SaveE pentru a dezactiva funcția. LED-ul verde se stinge. (Fig. 43)

## Funcția de oprire automată

Produsul dispune de o funcție de oprire, care oprește produsul dacă acesta nu este utilizat. LED-ul verde care indică pornirea/oprirea se stinge, iar produsul se oprește după 180 de secunde.

## Utilizarea produsului

### Pentru a tunde iarba

1. Țineți capul de tuns chiar deasupra solului, în poziție înclinată. Nu împingeți firul trimmerului în iarbă. (Fig. 44)
2. Reduceți lungimea firului trimmerului cu 10-12 cm / 4-4,75 inch.
3. Reduceți turația motorului pentru a reduce riscul deteriorării plantelor.
4. Utilizați accelerația la 80 % când tundeți iarbă în apropierea unor obiecte. (Fig. 45)

### Îndepărtarea ierbii

1. Mențineți capul de tuns deasupra solului.
2. Înclinați capul de tuns.
3. Tăiați cu capătul firului de trimmer în jurul obiectelor din zona de lucru.



**ATENȚIE:** Tăiați iarbă. Alte obiecte care sunt lovite de firul de trimmer măresc uzura firului de trimmer.

### Pentru a tăia iarba

1. Când tăiați iarba, asigurați-vă că firul trimmerului este paralel cu solul. (Fig. 46)
2. Nu împingeți capul de tuns în sol. Aceasta poate deteriora produsul.
3. Mișcați produsul dintr-o parte în alta când tăiați iarba. Utilizați viteza maximă. (Fig. 47)



## Pentru a mătura iarba

Fluxul de aer de la firul trimmerului rotativ se poate utiliza pentru eliminarea ierbii tăiate dintr-o zonă.

1. Mențineți capul de tuns și firul trimmerului în paralel cu solul și deasupra acestuia.
2. Aplicați accelerație maximă.
3. Mutați capul de tuns dintr-o parte în alta și măturați iarba.



**AVERTISMENT:** Curățați capacul capului de tuns la fiecare asamblare a unui fir nou al trimmerului, pentru a preveni dezechilibrarea mânerelor și resimțirea

vibrațiilor în acestea. De asemenea, verificați celelalte componente ale capului de tuns și curățați-le, dacă este necesar.

## Oprirea produsului

1. Eliberați întrerupătorul sau opritorul întrerupătorului.
2. Apăsăți butonul de pornire/oprire până când LED-ul verde se stinge.
3. Apăsăți butoanele de eliberare ale bateriei și scoateți bateria din produs. (Fig. 48)

## Pentru a înlocui firul trimmerului

Consultați ultima pagină a manualului operatorului.

# Întreținerea

## Introducere



**AVERTISMENT:** Citiți și înțelegeți capitolul privind siguranța înainte de a efectua operații de întreținere asupra produsului.

## Program de întreținere



**AVERTISMENT:** Scoateți bateria înainte de a efectua operații de întreținere.

În continuare prezentăm o listă de pași de întreținere care trebuie efectuați asupra aparatului. Consultați *Întreținerea la pagina 337* pentru mai multe informații.

Întreținerea	Zilnic	Săptămănal	Lunar
Curățați componentele externe ale produsului cu o cârpă uscată. Nu folosiți apă.	X		
Verificați dacă butonul de pornire și oprire funcționează corect și nu este deteriorat.	X		
Asigurați-vă că întrerupătorul și opritorul întrerupătorului funcționează corect din punct de vedere al siguranței.	X		
Asigurați-vă că toate comenzile funcționează și nu sunt deteriorate.	X		
Mențineți mânerul uscat, curat, fără ulei și unsoare.	X		
Asigurați-vă că accesoriul de tăiere nu este deteriorat. Înlocuiți accesoriul de tăiere, dacă este deteriorat.	X		
Asigurați-vă că apărătoarea accesoriului de tăiere nu este deteriorată. Înlocuiți apărătoarea accesoriului de tăiere, dacă este deteriorată.	X		
Verificați dacă șuruburile și piulițele sunt strânse.	X		
Asigurați-vă că butoanele de eliberare de pe baterie funcționează și blochează bateria în produs.	X		
Verificați ca încărcătorul de baterie să nu fie deteriorat și să funcționeze corect.	X		
Asigurați-vă că bateria nu este deteriorată.	X		
Asigurați-vă că bateria este încărcată.	X		
Asigurați-vă că încărcătorul de baterii nu este deteriorat.	X		

Întreținerea	Zilnic	Săptămănal	Lunar
Examinați toate cablurile, cuplajele și conexiunile. Asigurați-vă că nu sunt deteriorate și nu sunt murdare.		X	
Verificați legăturile dintre baterie și produs. Verificați legăturile dintre baterie și încărcătorul bateriei.			X

### Examinarea bateriei și încărcătorului

1. Examinați bateria pentru a identifica defecțiunile, de exemplu fisuri.
2. Examinați încărcătorul de baterii pentru a identifica defecțiunile, de exemplu fisuri.
3. Asigurați-vă că cablul de conectare al încărcătorului de baterii nu este deteriorat și că nu prezintă fisuri.

### Curățarea produsului, bateriei și încărcătorului

1. Curățați produsul cu o cârpă uscată după utilizare.
2. Curățați bateria și încărcătorul de baterii cu o cârpă uscată. Mențineți curate șinele de ghidaj al bateriei.

3. Asigurați-vă că bornele bateriei și încărcătorul de baterii sunt curate, înainte ca bateria să fie introdusă în încărcător sau produs.

### Verificarea și înlocuirea capului de tuns

1. Verificați capul de tuns pentru a vedea dacă prezintă deteriorare și fisuri.
2. Trageți afară ansamblul pantei de descărcare pentru firul trimmerului.
3. Îndepărtați capul de tuns. (Fig. 49)
4. Înlocuiți capul de tuns.
5. Asamblați capul de tuns. Consultați *Asamblarea capului de tuns la pagina 334*.

## Depanarea

### Tastatură

Ecran cu LED-uri	Erori posibile	Soluții posibile
LED-ul de eroare se aprinde intermitent.	Suprasarcină	Accesorul de tăiere nu se mișcă liber. Eliberați accesoriul de tăiere.
	Deviație de temperatură	Lăsați produsul să se răcească.
Produsul nu pornește.	Apăsați întrerupătorul și în același timp apăsați butonul de pornire.	Eliberați întrerupătorul și opriți produsul.
LED-ul de eroare se aprinde cu lumină roșie.	Este necesar să se efectueze lucrări de service asupra produsului	Adresați-vă reprezentatului de service.

### Baterie

Afișaj LED	Erori posibile	Acțiune posibilă
LED-ul verde se aprinde intermitent.	Tensiune joasă a bateriei.	Încărcați bateria.
LED-ul de eroare se aprinde intermitent.	Deviație de temperatură.	Utilizați bateria la temperaturi între -10°C (14°F) și 40°C (104°F).
	Tensiune prea mare.	Asigurați-vă că tensiunea rețelei de alimentare corespunde celei indicate pe plăcuța de identificare a produsului. Scoateți bateria din încărcător.

Afișaj LED	Erori posibile	Acțiune posibilă
LED-ul de eroare este aprins.	Diferența între baterii este prea mare (1 V).	Adresați-vă reprezentatului de service.

## Încărcător de baterii

Problemă	Erori posibile	Soluție posibilă
LED-ul de încărcare este roșu.	Eroare permanentă încărcător baterii.	Adresați-vă distribuitorului.
LED-ul de încărcare luminează intermitent verde.	Deviație de temperatură, bateria este prea rece sau prea fierbinte pentru a fi utilizată sau încărcată.	Lăsați bateria să se răcească sau încălziți-o. Când bateria are temperatura corectă, aceasta poate fi utilizată sau încărcată din nou. Utilizați încărcătorul de baterii la temperaturi ambiante cuprinse între 5 °C (41 °F) și 40 °C (104 °F).
LED-ul de încărcare luminează intermitent roșu.	Bateria este defectă.	Adresați-vă distribuitorului.

## Transportul, depozitarea și eliminarea

### Transportul și depozitarea

- Bateriile cu ioni de litiu furnizate respectă cerințele legislației privind bunurile periculoase.
- Respectați cerințele speciale de pe ambalaj și etichete privind transportul comercial, inclusiv cele emise de către terțe părți și companiile de expediție.
- Discutați cu o persoană care a beneficiat de instruire specială privind materialele periculoase înainte de a trimite produsul. Respectați toate reglementările naționale aplicabile.
- Aplicați bandă adezivă pe contactele expuse atunci când introduceți bateria într-un pachet. Bateria trebuie ambalată astfel încât să nu se poată deplasa în interiorul pachetului.
- La depozitare și la transport, scoateți întotdeauna bateria.
- Puneți bateria și încărcătorul de baterii într-un spațiu uscat și ferit de umezeală și îngheț.
- Nu depozitați bateria într-un loc în care există riscul de acumulare a electricității statice. Nu depozitați bateria într-o cutie metalică.
- Depozitați bateria la temperaturi între 5°C (41°F) și 25°C (77°F), într-un loc ferit de radiațiile solare directe.
- Depozitați încărcătorul de baterii la temperaturi între 5°C (41°F) și 45°C (113°F), într-un loc ferit de radiațiile solare directe.
- Utilizați încărcătorul de baterii numai la temperaturi ambiante cuprinse între 5°C/41°F și 40°C/104°F.

- Încărcați bateria în proporție de 30 % - 50 % înainte de a o depozita pe o perioadă lungă.
- Depozitați încărcătorul de baterii într-un spațiu închis și uscat.
- Nu depozitați bateria lângă încărcător. Nu lăsați copiii și alte persoane neautorizate să atingă echipamentul. Păstrați echipamentul într-un spațiu pe care îl puteți încuia.
- Curățați produsul și efectuați un service complet înainte de a depozita produsul pentru o perioadă lungă de timp.
- Utilizați apărătoarea de transport pe produs pentru a preveni accidentarea sau deteriorarea produsului în timpul transportului și depozitării.
- Fixați foarte bine produsul în timpul transportului.

### Eliminarea bateriei, încărcătorului acesteia și a produsului

Simbolurile de pe produs sau de pe ambalajul acestuia înseamnă că produsul nu este deșeu menajer. Reciclați-l la un centru de reciclare pentru echipamente electrice și electronice. Această măsură ajută la protejarea mediului și a oamenilor.

Luați legătura cu autoritățile locale, centrul de colectare a reziduurilor menajere sau distribuitorul pentru mai multe informații despre modul de reciclare a produsului dvs.

## Date tehnice

### Date tehnice

	<b>215IL</b>
<b>Motor</b>	
Tip de motor	BLDC
Turația arborelui de ieșire, rpm	6800
Lățime de tăiere, mm	310
<b>Greutate</b>	
Greutate fără baterie, kg	2,9
<b>Emisii de zgomot</b> <sup>61</sup>	
Nivel de putere acustică, măsurat dB(A)	90,5
Nivel de putere acustică, garantat L <sub>WA</sub> dB(A)	92
<b>Niveluri de zgomot</b> <sup>62</sup>	
Nivel echivalent de presiune acustică la urechea operatorului, măsurat conform EN ISO 50636-2-91, dB (A)	74,9
<b>Niveluri de vibrații</b> <sup>63</sup>	
Nivelurile de vibrații la mânere, măsurate în conformitate cu EN50636-2-91, m/s <sup>2</sup>	4,5/2,7
Dotat cu cap de tuns (original), față / spate.	

### Baterii aprobate pentru produs

Baterie	BLi10		BLi20		40-B70	40-B140
Tip	Litiu-ion		Litiu-ion		Litiu-ion	Litiu-ion
Capacitate baterie, Ah	Consultați autocolan- tul de identificare a bateriei		Consultați autocolan- tul de identificare a bater- iei		Consultați autocolan- tul de identificare a bateriei	Consultați autocolan- tul de identificare a bateriei
Tensiune nominală, V	36	36,5	36	36,5	36	36

<sup>61</sup> Emisiile de zgomot în mediu măsurate ca putere acustică (L<sub>WA</sub>) în conformitate cu directiva CE 2000/14/CE. Diferența dintre puterea garantată a zgomotului și cea măsurată este aceea că puterea garantată a zgomotului include, de asemenea, dispersia în rezultatul de măsurare și variațiile dintre diferitele produse ale aceluiași model conform Directivei 2000/14/CE.

<sup>62</sup> Datele raportate pentru nivelul echivalent de presiune a zgomotului pentru produs prezintă o dispersie statistică tipică (abatere standard) de 2,5 dB (A).

<sup>63</sup> Datele raportate pentru nivelul de vibrații prezintă o dispersie statistică tipică (abatere standard) de 1,5 m/s<sup>2</sup>.

Baterie	BLI10		BLI20		40-B70	40-B140
Greutate, lb/kg	0,7	0,7	1,2	1,2	0,8	1,25

### Încărcătoare de baterii aprobate pentru produs

Încărcător baterie	QC80	40-C80
Tensiune rețea, V	100-240	100-240
Frecvență, Hz	50-60	50-60
Putere, W	100	72
Tensiune de ieșire, V cc/ amperi, A	36/2	43/1,6

---

## Accesorii

---

### Accesorii aprobate

Accesorii aprobate	Tip	Apărătoare accesoriu de tăiere, nr. piesă
Cap de tuns	R25B (fir Ø 2 mm)	529 96 69-01

## Declarație de conformitate

### Declarație de conformitate UE

Noi, **Husqvarna AB**, SE-561 82 Huskvarna, Suedia, tel.: +46-36-146500, declarăm pe propria răspundere, că produsul:

<b>Descriere</b>	Trimmer pentru gazon cu baterie
<b>Marcă</b>	Husqvarna
<b>Tip/Model</b>	215iL
<b>Identificare</b>	Numerele de serie începând cu 2024

respectă în totalitate următoarele directive și reglementări UE:

<b>Directivă/Reglementare</b>	<b>Descriere</b>
2006/42/CE	„privind echipamentele tehnice”
2014/30/UE	„privind compatibilitatea electromagnetică”
2000/14/CE	„privind emisiile de zgomot în mediul înconjurător”
2011/65/UE	„privind restricțiile de utilizare a anumitor substanțe periculoase în echipamentele electrice și electronice”

și că au fost aplicate următoarele standarde și/sau specificații tehnice: EN 60335-1:2012/A15:2021, EN 50636-2-91:2014, EN IEC 63000:2018, EN IEC 55014-1:2021; EN IEC 55014-2:2021.

Organismul notificat: 0197 TÜV Rheinland LGA Products GmbH, Tillystraße 2, 90431 Nürnberg, Germany a certificat conformitatea cu directiva 2000/14/CE a consiliului, procedura de evaluare a conformității: Anexa VI.

Pentru informații privind emisiile de zgomot, consultați *Date tehnice la pagina 340.*

Huskvarna, 2024-02-01



Claes Losdal, Manager Cercetare și dezvoltare,  
Husqvarna AB

Responsabil pentru documentația tehnică



## Содержание

Введение.....	343	Транспортировка, хранение и утилизация.....	357
Безопасность.....	344	Технические данные.....	358
Сборка.....	352	Принадлежности.....	359
Эксплуатация.....	352	Декларация о соответствии.....	360
Техническое обслуживание.....	355	Приложение .....	454
Поиск и устранение неисправностей.....	356		

---

## Введение

---

### Описание изделия

Husqvarna 215iL представляет собой аккумуляторную травокосилку с электродвигателем.

Мы постоянно совершенствуем свою продукцию с целью повысить вашу безопасность и эффективность во время работы. Для получения более подробной информации обратитесь в свой сервисный центр.

### Использование по назначению

Изделие предназначено для использования с неметаллическими триммерными кордами,

### Обзор изделия

(Рис. 1)

1. Триммерная головка
2. Кожух режущего оборудования
3. Штанга
4. Регулировка штанги (телескопической)
5. Петельная рукоятка
6. Панель управления
7. Предупреждающий индикатор на клавиатуре
8. Кнопка запуска/остановки
9. Кнопка SavE
10. Курок
11. Предохранитель нажатия курка
12. Индикатор включения питания / предупреждающий индикатор
13. Разъем
14. Зарядное устройство для аккумулятора 40-C80
15. Зарядное устройство для аккумулятора QC80
16. Шнур питания
17. Защита растений
18. Предупреждающий индикатор аккумулятора
19. Состояние аккумулятора
20. Кнопка-индикатор аккумулятора
21. Кнопки извлечения аккумулятора
22. Аккумулятор
23. Комбинированный инструмент
24. Руководство по эксплуатации

### Условные обозначения на агрегате

(Рис. 2) **ПРЕДУПРЕЖДЕНИЕ:** Агрегат может представлять опасность и стать причиной тяжелой травмы или смерти оператора или окружающих. Соблюдайте осторожность и правила эксплуатации изделия.

неметаллическими лесками или аналогичными неметаллическими гибкими режущими элементами. Изделие предназначено только для кошения травы, сорняков и других видов мягкой растительности. Запрещается использовать его в иных целях.

**Примечание:** Государственные нормативы могут накладывать ограничения на эксплуатацию изделия.

---

(Рис. 3) Перед началом работы внимательно прочитайте руководство по эксплуатации и убедитесь, что понимаете приведенные в нем инструкции.

(Рис. 4) Пользуйтесь средствами защиты глаз.

(Рис. 5) Не оставляйте изделие под дождем.

(Рис. 6) Табличка с уровнем эмиссии шума в окружающую среду в соответствии с директивами и нормативами Великобритании и ЕС (в том числе в соответствии с требованиями законодательства Нового Южного Уэльса). Данные об эмиссии шума приведены на паспортной табличке агрегата и в разделе "Технические данные".

(Рис. 7) Во время работы с агрегатом соблюдайте безопасную дистанцию до окружающих людей.

(Рис. 8) Перед техническим обслуживанием отсоедините аккумулятор.

(Рис. 9) Данное изделие и его упаковка не могут быть утилизированы в качестве бытовых отходов. Изделие необходимо передать в пункт переработки электрического и электронного оборудования.

(Рис. 10) Агрегат соответствует действующим директивам ЕС.

(Рис. 11) Данный агрегат соответствует действующим директивам Великобритании.

(Рис. 12) Постоянный ток.

ууууwwxxxx

На паспортной табличке или лазерной гравировке указан серийный номер. **уууу** означает год производства, **ww** — производственную неделю.

## Условные обозначения на аккумуляторе и/или зарядном устройстве аккумулятора

(Рис. 16)

После завершения срока службы изделие необходимо передать в пункт переработки электрического и электронного оборудования. (Только для Европы)

(Рис. 13) Надежный трансформатор.

(Рис. 14) Зарядное устройство должно использоваться и храниться только внутри помещений.

(Рис. 15) Двойная изоляция.

## Повреждение изделия

Мы не несем ответственности за повреждение изделия в следующих случаях:

- ненадлежащий ремонт изделия;
- использование для ремонта изделия неоригинальных деталей или деталей, не одобренных производителем;
- использование неоригинальных дополнительных принадлежностей или принадлежностей, не одобренных производителем;
- ремонт изделия в неавторизованном сервисном центре или неквалифицированным специалистом.

---

## Безопасность

---

### Инструкции по технике безопасности

Предупреждения, предостережения и примечания используются для выделения особо важных пунктов руководства.



#### **ПРЕДУПРЕЖДЕНИЕ:**

Используется, когда несоблюдение инструкций руководства может привести к травмам или смерти оператора или находящихся рядом посторонних лиц.



**ВНИМАНИЕ:** Используется, когда несоблюдение инструкций руководства может привести к повреждению изделия, других материалов или прилегающей территории.

**Примечание:** Используется для предоставления дополнительных сведений о конкретной ситуации.

### Общие меры предосторожности при работе с электроинструментом



#### **ПРЕДУПРЕЖДЕНИЕ:**

Внимательно прочитайте все предупреждения и информацию о мерах безопасности. Несоблюдение предупреждений и инструкций по технике безопасности может привести к поражению электрическим током, пожару и/или тяжелым травмам.

**Примечание:** Сохраните все предупреждающие указания и инструкции для последующего обращения. Под словом "электроинструмент" в данном документе понимается электрический инструмент, работающий от сети (проводной) либо от аккумулятора (беспроводной).

### Проверка перед запуском

- Во избежание случайного запуска изделия необходимо всегда извлекать из него аккумулятор. Перед проведением техобслуживания изделия необходимо всегда извлекать из него аккумулятор.



- Перед началом эксплуатации изделия, а также после каких-либо нагрузок необходимо проверить его на наличие признаков износа или повреждений и при необходимости выполнить ремонт.
- Осмотрите рабочую зону. Уберите все свободно лежащие предметы, например, камни, разбитое стекло, гвозди, стальную проволоку, веревки и прочее, поскольку они могут быть отброшены или намотаны на режущее оборудование или его щиток.
- Проверьте двигатель на наличие загрязнений и трещин. Очистите двигатель от травы и листьев с помощью щетки. При необходимости наденьте перчатки.
- Убедитесь, что триммерная головка надежно установлена на травкосилку.
- Убедитесь, что изделие находится в надлежащем рабочем состоянии. Проверьте надежность затяжки всех гаек и винтов.
- Проверьте головку триммера и щиток триммера на наличие повреждений и трещин. При наличии трещин или в случае удара головки триммера или щитка триммера их следует заменить. Всегда пользуйтесь рекомендуемой защитой для каждого типа режущего оборудования. См. раздел "Технические данные".
- Пользователь должен следить за тем, чтобы во время работы в радиусе 15 м не было людей или животных. Когда на одном и том же участке одновременно работают несколько пользователей, безопасное расстояние между ними должно быть не менее 15 м.
- Перед началом эксплуатации изделия проведите его общий осмотр. См. график техобслуживания.
- Использование может ограничиваться государственными или региональными нормативными требованиями. Соблюдайте действующие требования.

## Техника безопасности на рабочем месте

- **Рабочее место должно содержаться в чистоте и быть хорошо освещено.** Загромождения или отсутствие освещения могут стать причиной несчастных случаев.
- **Не пользуйтесь электроинструментами во взрывоопасной атмосфере, например, в присутствии легковоспламеняющихся жидкостей, газов или пыли.** Электроинструменты производят искры, которые могут зажечь пыль или пары топлива.
- **Не позволяйте детям и посторонним наблюдателям приближаться к вам во время использования электроинструмента.** Это может отвлечь ваше внимание и привести к потере управления.

## Электрическая безопасность

- **Штепсельная вилка электроинструмента должна соответствовать электрической розетке.**

**Запрещается изменять конструкцию вилки. Не пользуйтесь штепсельными переходниками при работе с заземленными электроинструментами.**

Отсутствие изменений в конструкции вилок и их соответствие розеткам снижает опасность поражения электрическим током.

- **Избегайте контакта любых частей тела с заземленными поверхностями, такими как трубы, батареи отопления, кухонные плиты и холодильники.** Заземление тела увеличивает риск поражения электрическим током.
- **Не подвергайте электроинструмент воздействию воды или высокой влажности.** Попадание воды внутрь электроинструмента увеличивает риск поражения электрическим током.
- **Используйте шнур электроинструмента только по прямому назначению. Никогда не носите и не тяните электроинструмент за шнур и не дергайте за него, чтобы выключить инструмент из розетки. Держите шнур вдали от источников тепла, масла, острых углов или движущихся деталей.** Эксплуатация поврежденного или запутанного шнура увеличивает риск поражения электротоком.
- **При работе с электроинструментом вне помещения используйте специальный удлинительный шнур для наружных работ.** Применение шнура, предназначенного для уличного использования, снижает опасность поражения электрическим током.
- **Если неизбежно требуется применение электроинструмента во влажной среде, используйте источник питания, защищенный устройством защитного отключения (УЗО).** Использование УЗО снижает риск поражения электрическим током.

## Личная безопасность

- **При работе с электроинструментом будьте бдительны, следите за своими действиями и руководствуйтесь здравым смыслом. Не используйте электроинструмент, если вы устали или находитесь под воздействием наркотических средств, алкоголя или лекарств.** Малейшая невнимательность может обернуться серьезными физическими травмами.
- **Пользуйтесь средствами индивидуальной защиты. Всегда носите защитные очки.** Средства индивидуальной защиты, такие как респиратор, нескользящая защитная обувь, каска или средства защиты органов слуха, существенно снижают риск получения травм.
- **Примите меры по предотвращению случайного включения электроинструмента. Перед подключением инструмента к источнику питания и/или блоку аккумуляторов, его подъемом или переноской убедитесь, что переключатель находится в выключенном положении (OFF). Не переносите электроинструменты, держа палец на переключателе, а также не подавайте**

питание на электроинструменты с включенным переключателем, т.к. это может привести к несчастному случаю.

- **Уберите все гаечные и регулировочные ключи, прежде чем включать питание.** Ключ, оставленный на движущейся части электроинструмента, может стать причиной травмы.
- **Не вытягивайте руки с устройством слишком далеко. Всегда сохраняйте равновесие и устойчиво ставьте ноги.** Это позволит лучше контролировать электроинструмент в случае возникновения непредвиденной ситуации.
- **Надевайте соответствующую одежду. Не надевайте свободную одежду или украшения. Не допускайте попадания волос и одежды в движущиеся части инструмента.** Свободная одежда, украшения или длинные волосы могут попасть в движущиеся части.
- **Если инструмент оборудован дополнительными устройствами для сбора и удаления пыли, убедитесь, что они подключены и используются надлежащим образом.** Такие устройства способствуют снижению опасностей, связанных с наличием пыли.
- **Не допускайте, чтобы чувство уверенности, приобретенное вследствие частого управления изделием, позволило вам забыть об опасностях и игнорировать принципы обеспечения безопасности.** Неосторожные действия могут привести к тяжелой травме за долю секунды.
- Вибрации во время фактического использования электроинструмента могут отличаться от заявленного суммарного значения в зависимости от того, каким образом инструмент используется. Операторы должны определять меры безопасности для собственной защиты, основываясь на оценке воздействия в конкретных условиях эксплуатации (с учетом всех частей рабочего цикла, таких как время отключения инструмента и время вращения на холостом ходу в дополнение к триггеру).

### Эксплуатация и обслуживание электроинструмента

- **Не перегружайте электроинструмент. Убедитесь, что он предназначен для выполнения конкретной задачи.** Правильно подобранный электроинструмент лучше и надежнее справится с задачей, соответствующей его конструктивным характеристикам.
- **Не пользуйтесь электроинструментом, если его переключатель не работает.** Такой инструмент представляет опасность и подлежит обязательному ремонту.
- **Прежде чем производить какую-либо настройку электроинструмента, заменять его части или убирать его на хранение, отключите инструмент от источника питания и/или снимите блок аккумуляторов (если снимается).**

Эти меры предосторожности позволяют исключить возможность случайного включения электроинструмента.

- **Храните неиспользуемые электроинструменты в недоступном для детей месте и не позволяйте работать с инструментом лицам, не ознакомленным с ним и с данными правилами техники безопасности.** Электроинструменты в руках неопытных пользователей являются источником опасности.
- **Выполните техническое обслуживание электроинструментов и принадлежностей. Регулярно проверяйте, не застревают ли движущиеся части и не смещаются ли они со своего нормального положения; все ли части исправны, а также другие условия, влияющие на работу электроинструмента. В случае обнаружения какой-либо неисправности устраните ее перед использованием инструмента.** Многие несчастные случаи возникают из-за недостаточно тщательного ухода за электроинструментами.
- **Поддерживайте остроту и чистоту режущих инструментов.** Исправные режущие инструменты с острыми режущими краями меньше подвержены поломкам и более просты в управлении.
- **Используйте электроинструменты, принадлежности, наконечники и т.д. в соответствии с данными инструкциями, принимая во внимание условия работы и специфику выполняемой задачи.** Применение электроинструмента не по назначению может создать опасные ситуации.
- **Рукоятки и поверхности захвата должны быть сухими и чистыми, без следов масла и смазки.** Скользкие рукоятки и поверхности захвата препятствуют безопасному обращению и управлению инструментом в непредвиденных ситуациях.

### Эксплуатация и обслуживание аккумуляторного инструмента

- **Выполняйте зарядку только с помощью зарядного устройства, указанного производителем.** Зарядное устройство, подходящее для одного типа аккумуляторного блока, может создать опасность возгорания при использовании с аккумуляторным блоком другого типа.
- **Используйте изделия только со специально предназначенными аккумуляторными блоками.** Использование других аккумуляторных блоков может создать опасность травмы или возгорания.
- **Когда аккумуляторный блок не используется, храните его вдали от металлических предметов, таких как скрепки, монеты, ключи, гвозди, винты или иные мелкие предметы, которые могут замкнуть клеммы аккумулятора.** Замыкание

клемм аккумулятора может привести к ожогам или пожару.

- При неправильном обращении из аккумулятора может вытечь жидкость; избегайте контакта с вытекшей жидкостью. При случайном контакте промойте место соприкосновения водой. При попадании жидкости в глаза обратитесь за медицинской помощью. Вытекшая из аккумулятора жидкость может привести к раздражению или ожогу.
- Запрещается использовать аккумуляторный блок или инструмент, если они повреждены или модифицированы. Поврежденные или модифицированные аккумуляторы могут работать неправильно, что приведет к возникновению пожара, взрыва или риску травм.
- Не подвергайте аккумуляторный блок или инструмент воздействию огня или чрезмерно высоким температур. Воздействие огня или температуры выше 130 °C может привести к взрыву.
- Точно следуйте всем инструкциям по зарядке и ни в коем случае не заряжайте аккумуляторный блок или инструмент при температуре, выходящей за пределы указанного в инструкциях диапазона. Ненадлежащая зарядка или зарядка при температуре выше или ниже указанного диапазона может привести к повреждению аккумулятора и повышенному риску пожара.

### Сервисное обслуживание

- Сервисное обслуживание электроинструмента должны выполнять квалифицированные специалисты по ремонту оборудования с использованием только идентичных запчастей. Это гарантирует сохранность электроинструмента.
- Никогда не выполняйте обслуживание поврежденных блоков аккумуляторов. Обслуживание аккумуляторов должно выполняться только производителем или специалистами уполномоченных сервисных центров.

### Всегда руководствуйтесь здравым смыслом

Невозможно предвидеть все ситуации, с которыми вы можете столкнуться. Всегда соблюдайте осторожность и руководствуйтесь здравым смыслом. Не выполняйте работу, если вам кажется, что уровень вашей квалификации недостаточен. Переделывание объекта и/или ремонт машины обойдутся дороже правильного решения. Если после изучения руководства у вас остались вопросы относительно эксплуатации агрегата, прежде чем приступить к работе, обратитесь за консультацией к специалисту.



**ПРЕДУПРЕЖДЕНИЕ:** Никогда не позволяйте детям пользоваться инструментом или находиться рядом

с ним. Поскольку инструмент можно запустить без особого труда, это могут сделать дети, находящиеся без должного присмотра. Это создает риск получения тяжелых травм. Поэтому следует отсоединять аккумулятор, когда инструмент остается без присмотра.

## Общие инструкции по технике безопасности



**ПРЕДУПРЕЖДЕНИЕ:** В обязательном порядке прочитайте следующие инструкции по технике безопасности, прежде чем приступить к эксплуатации изделия.

- Во избежание случайного запуска изделия необходимо извлекать из него аккумулятор.
- Изделие представляет опасность при небрежном или неправильном обращении. Изделие может стать причиной тяжелой травмы или смерти оператора и окружающих.
- Запрещается пользоваться изделием, в начальную конструкцию которого внесены какие-либо изменения. Запрещается вносить изменения в конструкцию изделия без одобрения производителя. Используйте только рекомендованные производителем детали. Неправильное техобслуживание может привести к травме или смерти.
- Перед началом эксплуатации проверьте изделие. См. *Проверка перед запуском на стр. 344* и *Перед началом эксплуатации изделия на стр. 352*. Не используйте изделие, если оно повреждено или работает неправильно. Проверьте состояние защитных устройств и проводите техобслуживание в соответствии с инструкциями настоящего руководства.
- Не позволяйте детям играть с изделием. Ни при каких обстоятельствах не позволяйте детям или иным лицам, не знакомым с правилами эксплуатации изделия и/или аккумулятора, работать с этим изделием или выполнять его техобслуживание. Местные законы могут устанавливать требования к возрасту оператора.
- Храните изделие в запгертом помещении для предотвращения доступа к изделию детей или посторонних лиц.
- Храните изделие в недоступном для детей месте.
- Ни при каких обстоятельствах не допускается внесение изменений в конструкцию изделия без разрешения производителя. Используйте только оригинальные принадлежности. Внесение не одобренных изменений и/или использование неразрешенных принадлежностей может привести к тяжелой травме или смерти оператора или других лиц.

**Примечание:** Эксплуатация данного изделия может регулироваться государственными или региональными законами. Соблюдайте действующие требования.

## Инструкции по технике безопасности во время эксплуатации



**ПРЕДУПРЕЖДЕНИЕ:** В обязательном порядке прочитайте следующие инструкции по технике безопасности, прежде чем приступить к эксплуатации изделия.

- **Не используйте агрегат в плохих погодных условиях, особенно если существует риск удара молнии.** Это позволяет уменьшить риск поражения молнией.
- **Тщательно осмотрите участок на наличие диких животных, где будет использоваться агрегат.** Во время работы агрегат может травмировать диких животных.
- **Внимательно осмотрите место эксплуатации агрегата, уберите все камни, палки, провода, кости и прочие посторонние предметы.** Отбрасываемые предметы могут стать причиной травмы.
- **Каждый раз перед эксплуатацией осматривайте нож и его крепления на наличие износа или повреждений.** Поврежденные детали повышают риск получения травмы.
- **Щитки должны быть всегда установлены. Щитки должны быть исправны и установлены надлежащим образом.** Незакрепленный, поврежденный или неправильно используемый щиток может стать причиной травмы.
- **Следите за тем, чтобы на воздухозаборниках не было загрязнений.** Засоренные воздухозаборники и мусор могут привести к перегреву или возгоранию.
- **Всегда надевайте защитные очки и наушники.** Использование надлежащих средств защиты снизит риск получения травм.
- **При работе с агрегатом всегда надевайте защитную обувь с нескользящей подошвой. Запрещается работать с агрегатом босиком или в открытой обуви.** Это необходимо для снижения вероятности получения травм ног от контакта с движущимся ножом.
- **При работе с агрегатом всегда надевайте одежду, закрывающую ноги, например брюки.** Контакт с движущимся ножом или режущей леской может привести к травме.
- **Во время эксплуатации агрегата посторонние должны находиться на безопасном расстоянии.** Отбрасываемый мусор может привести к серьезным травмам.

- **Запрещается эксплуатировать агрегат выше уровня пояса.** Это поможет предотвратить случайный контакт ножа с предметами и обеспечит более надежное управление агрегатом в непредвиденных ситуациях.
- **Соблюдайте осторожность при работе с влажной травой. Во время эксплуатации инструмента следует идти, ни в коем случае не бежать.** Это снижает риск поскользывания и падения и, как следствие, получения травм.
- **Запрещается использовать агрегат на крутых склонах.** Это снижает риск потери управления, поскользывания и падения и, как следствие, получения травм.
- **При работе на склонах всегда сохраняйте устойчивое положение, перемещайтесь поперек склона, никогда не двигайтесь вверх или вниз и будьте предельно осторожны при изменении направления движения.** Это снижает риск потери управления, поскользывания и падения и, как следствие, получения травм.
- **Держите все шнуры питания и кабели вдали от зоны резки.** Шнуры питания или кабели могут быть скрыты в живых изгородях или кустах и, как следствие, случайно перерезаны или повреждены режущей леской или ножом.
- **Держите все части тела на безопасном расстоянии от движущегося ножа или режущей лески. Не очищайте агрегат, пока он не будет отсоединен от источника питания.** Движущийся нож или режущая леска могут привести к серьезной травме.
- **Переносите агрегат, предварительно выключив его и направляя в сторону от своего тела.** Надлежащее обращение с агрегатом уменьшает вероятность случайного контакта с движущимся ножом или режущей леской.
- **Используйте только сменные режущие головки, ножи или режущие лески, указанные производителем. Не заменяйте ножи или режущие лески металлическими проволоками или лезвиями.** Установка неподходящих деталей при замене может привести к потере контроля, поломке и получению травм.

## Средства индивидуальной защиты



**ПРЕДУПРЕЖДЕНИЕ:** В обязательном порядке прочитайте следующие инструкции по технике безопасности, прежде чем приступить к эксплуатации изделия.

- Каждый раз при работе с изделием следует использовать одобренные средства индивидуальной защиты. Средства индивидуальной защиты не могут полностью исключить риск получения травмы, но при несчастном случае они снижают тяжесть травмы.

Обратитесь к дилеру за помощью в подборе надлежащих средств защиты.

- Используйте одобренные средства защиты органов слуха.

(Рис. 17)

- Используйте одобренные средства защиты глаз. При использовании защитной маски следует пользоваться также одобренными защитными очками. Под одобренными защитными очками подразумеваются очки, отвечающие требованиям стандарта ANSI Z87.1 для США или EN 166 для стран ЕС.

(Рис. 18)

- При необходимости надевайте перчатки, например, при закреплении, проверке или очистке режущего оборудования.

(Рис. 19)

- Надевайте защитные ботинки со стальным носком и нескользкой подошвой.

(Рис. 20)

- Надевайте одежду из прочного материала. Всегда надевайте длинные прочные брюки и верхнюю одежду с длинными рукавами. Запрещается надевать свободную одежду, которая может зацепиться за ветви или кустарник. Не надевайте ювелирные украшения, короткие брюки или сандалии. Не ходите босиком. Зафиксируйте волосы выше уровня плеч.
- Средства оказания первой помощи всегда должны быть под рукой.

(Рис. 21)

### Защитные устройства на изделии



**ПРЕДУПРЕЖДЕНИЕ:** В обязательном порядке прочитайте следующие инструкции по технике безопасности, прежде чем приступать к эксплуатации изделия.

В данном разделе рассматриваются защитные приспособления изделия и их назначение, а также приводятся проверки и процедуры технического обслуживания, которые необходимо проводить для обеспечения правильной работы изделия. См. раздел *Введение на стр. 343*, где описано расположение этих компонентов на изделии.

Срок службы изделия может быть сокращен, а риск несчастных случаев увеличен, если техническое обслуживание изделия не проводится надлежащим образом, а сервис и/или ремонт выполняются непрофессионалами. Дополнительную информацию можно получить в ближайшем сервисном центре.



**ПРЕДУПРЕЖДЕНИЕ:** Ни в коем случае не пользуйтесь изделием с поврежденными защитными приспособлениями. Техобслуживание и проверка защитных приспособлений должны выполняться в соответствии с инструкциями в данном разделе. Если в рамках этих проверок обнаружены неисправности изделия, обратитесь в сервисный центр для проведения ремонта.



**ВНИМАНИЕ:** Для обслуживания и ремонта изделия требуется специальная подготовка. Это в частности относится к защитным приспособлениям изделия. Если одна или несколько проверок, описанных ниже, не пройдены, обратитесь в сервисный центр. При приобретении любой нашей продукции вы получаете доступ к профессиональной помощи по ремонту и обслуживанию. Если изделие было приобретено у дилера, не имеющего сервисного центра, узнайте у дилера адрес ближайшего сервисного центра.

### Проверка клавиатуры

1. Нажмите и удерживайте нажатой кнопку запуска/остановки (A). (Рис. 22)
  - a) Изделие включено, когда горит светодиодный индикатор (B).
  - b) Изделие выключено, когда светодиодный индикатор (B) не горит.
2. Если загорается или мигает предупреждающий индикатор (C), см. раздел *Кнопочная панель на стр. 356*.

### Проверка стопора переключателя

Стопор переключателя предотвращает случайный запуск инструмента. При нажатии на стопор (A) выполняется разблокировка переключателя (B). При отпускании рукоятки стопор переключателя и сам переключатель возвращаются в исходные положения. (Рис. 23)

1. Проверьте, чтобы переключатель был зафиксирован, когда его стопор находится в исходном положении. (Рис. 24)
2. Нажмите на переключатель и убедитесь, что он возвращается в исходное положение при его отпускании. (Рис. 25)
3. Убедитесь, что стопор переключателя и сам переключатель свободно перемещаются, а возвратная пружина работает надлежащим образом. (Рис. 26)

4. Запустите агрегат. См. раздел *Запуск агрегата на стр. 354.*
5. Включите режим полной мощности.
6. Отпустите переключатель и убедитесь, что режущее оборудование полностью останавливается.

#### Проверка щитка режущего оборудования



#### ПРЕДУПРЕЖДЕНИЕ:

Запрещается использовать режущее оборудование без одобренного и правильно установленного щитка режущего оборудования. Всегда используйте щиток режущего оборудования, рекомендованный для используемого в данный момент режущего оборудования, см. раздел *Технические данные на стр. 358.* Установка неправильного или неисправного щитка режущего оборудования может привести к тяжелой травме.

Щиток режущего оборудования предотвращает выброс предметов в сторону оператора. Щиток режущего оборудования также предотвращает травмы, которые могут возникнуть при прикосновении к режущему оборудованию.

1. Остановите электродвигатель.
2. Осмотрите на наличие повреждений, например, трещин.
3. Если щиток режущего оборудования поврежден, замените его.

#### Режущее оборудование

Выбирайте подходящее режущее оборудование и выполняйте его техническое обслуживание, чтобы:

- добиться максимально эффективного кошения;
- продлить срок службы режущего оборудования.



#### ПРЕДУПРЕЖДЕНИЕ:

Используйте режущее оборудование только с рекомендованной защитой! См. раздел *Технические данные на стр. 358.* См. инструкции по использованию режущего оборудования, где описана процедура установки триммерного корда и указан правильный диаметр корда.



#### ПРЕДУПРЕЖДЕНИЕ:

Поврежденное режущее оборудование увеличивает риск несчастных случаев.



**ПРЕДУПРЕЖДЕНИЕ:** Всегда останавливайте двигатель, прежде чем приступить к работе с режущим оборудованием. Оно продолжает вращаться даже после того, как вы отпустите курок газа. Проверьте, что режущее оборудование полностью остановилось, и отсоедините колпачок свечи зажигания, прежде чем приступить к работе с ним.

#### Головка триммера



**ПРЕДУПРЕЖДЕНИЕ:** в обязательном порядке убедитесь, что режущая леска плотно и равномерно намотана на барабан во избежание вредной вибрации.

(Рис. 27)

- Используйте только рекомендованные головки триммера и режущие лески.
- Используйте только рекомендованное режущее оборудование.
- Для меньшего инструмента требуются головки триммера меньшего размера и наоборот.
- Крайне важна длина режущей лески. Более длинная леска требует более мощного двигателя, чем короткая леска такого же диаметра.
- Убедитесь, что нож, размещенный на щитке триммера, не поврежден. Он обрезает режущую леску до необходимой длины.
- Для продления срока службы режущей лески ее можно вымачивать в воде в течение нескольких дней перед использованием.

#### Техника безопасности при работе с аккумулятором



**ПРЕДУПРЕЖДЕНИЕ:** в обязательном порядке прочитайте следующие инструкции по технике безопасности, прежде чем приступать к эксплуатации изделия.

- Используйте только аккумуляторы серий BLi и 40-V. Подробнее см. в разделе *Технические данные на стр. 358.* Для аккумуляторов используется программное обеспечение с криптографической защитой.
- Используйте перезаряжаемые аккумуляторы серий BLi и 40-V в качестве источника питания только для тех изделий Husqvarna, для которых они предназначены. Во избежание травм запрещается использовать аккумулятор в качестве источника питания для других устройств.

- Риск поражения электрическим током. Не допускайте контакта клемм аккумулятора с ключами, монетами, винтами или другими металлическими предметами. Это может привести к короткому замыканию аккумулятора.
- Запрещается использовать одноразовые аккумуляторы.
- Не размещайте посторонние предметы на воздухозаборниках аккумулятора.
- Аккумулятор не должен подвергаться воздействию солнечного света, тепла или открытого пламени. Аккумулятор может стать причиной ожогов, в том числе химических.
- Защищайте аккумулятор от дождя и сырости.
- Не подвергайте аккумулятор воздействию микроволн и высокого давления.
- Не пытайтесь разбирать или ломать аккумулятор.
- При возникновении утечки из аккумулятора не допускайте попадания жидкости на кожу или в глаза. В случае контакта с жидкостью промойте участок контакта большим количеством воды с мылом и обратитесь за медицинской помощью. При попадании жидкости в глаза нельзя их тереть. Необходимо промывать глаза обильным количеством воды на протяжении не менее 15 минут, а затем обратиться за медицинской помощью.
- Используйте аккумулятор при температуре в диапазоне от -10 до 40 °C (от 14 до 114 °F).
- Очистка аккумулятора или зарядного устройства водой запрещена. См. раздел *Очистка изделия, аккумулятора и зарядного устройства на стр. 356*.
- Запрещается использовать неисправный или поврежденный аккумулятор.
- Храните аккумуляторы вдали от металлических предметов, таких как гвозди, винты или ювелирные изделия.
- Храните аккумулятор в недоступном для детей месте.
- Не пытайтесь разбирать зарядное устройство.
- Запрещается использовать неисправное или поврежденное зарядное устройство.
- Не поднимайте зарядное устройство за кабель питания. Для отсоединения зарядного устройства от сетевой розетки потяните за вилку. Не тяните за шнур питания.
- Кабели и удлинители не должны контактировать с водой, маслом и острыми краями. Убедитесь, что кабель не застрял в препятствии, например, в двери, заборе и т.д.
- Запрещается использовать зарядное устройство вблизи легковоспламеняющихся материалов и материалов, которые вызывают коррозию. Убедитесь, что зарядное устройство ничем не накрыто. В случае появления дыма или огня извлеките вилку зарядного устройства из розетки.
- Заряжайте аккумулятор только в хорошо проветриваемом помещении вдали от солнечных лучей. Запрещается заряжать аккумулятор вне помещения. Запрещается заряжать аккумулятор в условиях высокой влажности.
- Используйте зарядное устройство только при температуре в диапазоне от 5 до 40 °C (от 41 до 104 °F). Используйте зарядное устройство в хорошо проветриваемых сухих помещениях, защищенных от пыли.
- Не вставляйте посторонние предметы в воздухозаборники зарядного устройства, предназначенные для его охлаждения.
- Не подсоединяйте металлические предметы к клеммам зарядного устройства, т.к. это может привести к короткому замыканию зарядного устройства.
- Используйте одобренные сетевые розетки, которые находятся в исправном состоянии. Убедитесь, что шнур зарядного устройства не поврежден. В случае использования удлинительных кабелей следите за их целостностью.
- Не пытайтесь заряжать одноразовые аккумуляторы в зарядных устройствах.

## Техника безопасности при работе с зарядным устройством для аккумулятора



**ПРЕДУПРЕЖДЕНИЕ:** В обязательном порядке прочитайте следующие инструкции по технике безопасности, прежде чем приступить к эксплуатации изделия.

- Риск поражения электрическим током или короткого замыкания в случае несоблюдения инструкций по технике безопасности.
- Используйте только то зарядное устройство, которое входит в комплект поставки изделия. Используйте зарядные устройства QC80 и 40-C80 только для зарядки сменных аккумуляторов серий BLi и 40-B.

## Инструкции по технике безопасности во время технического обслуживания



**ПРЕДУПРЕЖДЕНИЕ:** В обязательном порядке прочитайте следующие инструкции по технике безопасности, прежде чем приступить к техобслуживанию изделия.

- Перед сборкой изделия, проведением техобслуживания или иных проверок извлеките из него аккумулятор.
- Оператор может выполнять только те работы по техническому и сервисному обслуживанию, которые описаны в данном руководстве

- по эксплуатации. Для проведения более сложных работ по техническому и сервисному обслуживанию обращайтесь к своему дилеру по обслуживанию.
- Очистка аккумулятора или зарядного устройства водой запрещена. Использование сильного моющего средства может повредить пластмассу.
  - При невыполнении работ по техобслуживанию срок службы изделия сокращается, а риск возникновения несчастных случаев увеличивается.

- Для выполнения любых работ по сервисному обслуживанию и ремонту, особенно защитных приспособлений изделия, необходимо пройти специальное обучение. Если после выполнения обслуживания при проведении проверок были выявлены неисправности, обратитесь к своему дилеру по обслуживанию. Мы гарантируем, что ремонт и обслуживание вашего изделия будут выполнять квалифицированные профессионалы.
- Пользуйтесь только оригинальными запасными частями.

---

## Сборка

---

### Введение



**ПРЕДУПРЕЖДЕНИЕ:** Перед сборкой изделия внимательно изучите раздел техники безопасности.

### Установка щитка триммера

1. Установите щиток триммера на корпус двигателя. (Рис. 28).
2. Вставьте болт через корпус двигателя и щиток триммера. (Рис. 29)
3. Затяните болт.

### Сборка триммерной головки

1. Поворачивайте выходной вал до тех пор, пока отверстие ведущего диска не совместится с отверстием в редукторе.
2. Вставьте стопорный штифт в отверстие, чтобы зафиксировать вал.
3. Поверните триммерную головку против часовой стрелки. (Рис. 30)

### Сборка петлевой рукоятки

1. Установите винт в петельную рукоятку. (Рис. 31)
2. Установите петельную рукоятку в крепление на штанге.
3. Затяните винты.

4. Отрегулируйте положение петельной рукоятки. См. раздел *Регулировка петельной рукоятки и телескопической штанги на стр. 354.*

### Установка щитка для защиты растений

1. Установите щиток для защиты растений в отверстия на корпусе двигателя. (Рис. 32)
2. Убедитесь, что щиток для защиты растений может свободно перемещаться вперед и назад. (Рис. 33)

### Монтаж зарядного устройства 40-С80 на стену



**ВНИМАНИЕ:** Не используйте электрическую отвертку для монтажа зарядного устройства на стену. Электрическая отвертка может повредить зарядное устройство.

1. Установите зарядное устройство на стену с помощью 2 винтов (В). При необходимости используйте дюбели (А). (Рис. 34)
2. Установите 2 заглушки на винты (С).
3. Подключите разъем шнура питания зарядного устройства к сетевой розетке.

---

## Эксплуатация

---

### Введение



**ПРЕДУПРЕЖДЕНИЕ:** Перед эксплуатацией изделия внимательно изучите раздел техники безопасности.

### Перед началом эксплуатации изделия

- Изучите участок работы и его рельеф. Проверьте уклон участка и наличие препятствий, например, камней, веток и ям.
- Осмотрите изделие.
- Проведите проверку безопасности и процедуры технического и сервисного обслуживания, приведенные в данном руководстве.



- Проверьте двигатель на наличие загрязнений и трещин. С помощью щетки очистите двигатель от травы и листьев. При необходимости наденьте перчатки.
- Осмотрите триммерную головку и щиток режущего оборудования на наличие повреждений и трещин. Если триммерная головка и щиток режущего оборудования повреждены или имеют трещины, замените их.
- Проверьте затяжку всех гаек и винтов.
- Перед запуском изделия проверьте правильность установки и целостность всех кожухов, щитков, рукояток и режущего оборудования.

эксплуатации аккумулятора и зарядного устройства.

Храните аккумулятор и зарядное устройство при допустимой температуре окружающей среды.

	Температура окружающей среды
Эксплуатация аккумулятора	5–40 °C / 41–104 °F
Зарядка аккумулятора	5–40 °C / 41–104 °F

## Аккумулятор



**ПРЕДУПРЕЖДЕНИЕ:** Перед эксплуатацией аккумулятора внимательно изучите раздел по технике безопасности. Прочтите и усвойте все сведения, приведенные в руководстве по

## Состояние аккумулятора

На дисплее отображается состояние заряда и информация о проблемах с аккумулятором при их наличии.

(Рис. 35)

Светодиодный индикатор	Состояние аккумулятора (состояние заряда)	
	BLi10, BLi20	40-B70, 40-B140
Горят 4 светодиодных индикатора	Неприменимо	Аккумулятор заряжен на 76–100%.
Горят 3 светодиодных индикатора	Аккумулятор заряжен на 76–100%.	Аккумулятор заряжен на 51–75%.
Горят 2 светодиодных индикатора	Аккумулятор заряжен на 51–75%.	Аккумулятор заряжен на 26–50%.
Горит 1 светодиодный индикатор	Аккумулятор заряжен на 26–50%.	Аккумулятор заряжен на 6–25%.
Мигает 1 светодиодный индикатор	Аккумулятор заряжен на 0–25%.	Аккумулятор заряжен на 0–5%.

## Зарядка аккумулятора

Зарядите аккумулятор, если он используется в первый раз. Уровень заряда нового аккумулятора составляет 30%.



**ВНИМАНИЕ:** Подключайте зарядное устройство только к сети питания с напряжением и частотой, указанными на паспортной табличке устройства.

Аккумулятор не будет заряжаться, если его температура превышает 50 °C / 122 °F.

1. Подсоедините шнур питания к зарядному устройству.
2. Подключите зарядное устройство к заземленной сетевой розетке. Светодиодный индикатор зарядки мигает один раз. (Рис. 36)

3. Подключите аккумулятор к зарядному устройству. Загорается светодиодный индикатор зарядки. Длительность зарядки аккумулятора не должна превышать 24 часа. (Рис. 37)
4. Нажмите кнопку индикатора аккумулятора. Если все светодиодные индикаторы загораются, аккумулятор полностью заряжен.
5. Чтобы отсоединить зарядное устройство от розетки, потяните за вилку питания. Не тяните за шнур питания.
6. Извлеките аккумулятор из зарядного устройства.

## Подключение аккумулятора к изделию



### ПРЕДУПРЕЖДЕНИЕ:

Используйте с данным агрегатом только оригинальный аккумулятор Husqvarna.

1. Полностью зарядите аккумулятор.
2. Вставьте аккумулятор в держатель аккумулятора на изделии. При фиксации аккумулятора на месте слышится щелчок. (Рис. 38)



**ВНИМАНИЕ:** Если аккумулятор не вставляется в держатель без усилий, аккумулятор установлен неправильно. Это может привести к повреждению агрегата.

## Запуск агрегата

1. Нажмите и удерживайте нажатой кнопку запуска/останова, пока не загорится зеленый светодиодный индикатор. (Рис. 39)
2. Нажмите на стопор переключателя и на переключатель. Режущее оборудование начнет вращаться.

## Регулировка петельной рукоятки и телескопической штанги

1. Ослабьте фиксатор и установите петельную рукоятку в требуемое положение. (Рис. 40)
2. Закройте фиксатор.
3. Ослабьте рычаг на штанге. (Рис. 41)
4. Установите необходимую длину штанги. Убедитесь, что виден треугольник на штанге. (Рис. 42)
5. Закройте рычаг и затяните винт.

**Примечание:** Не закрепляйте петельную рукоятку на предупреждающих табличках на штанге.

## Использование функции SavE

Изделие оснащено функцией экономии энергии SavE.

**Примечание:** функция SavE не снижает режущую мощность инструмента.

1. Нажмите кнопку SavE на клавиатуре.
2. Должен обязательно загореться зеленый светодиод.
3. Чтобы отключить эту функцию, повторно нажмите кнопку SavE. Зеленый светодиод погаснет. (Рис. 43)

## Функция автоматической остановки

Изделие оснащено функцией остановки, которая обеспечивает остановку изделия, когда оно не используется. Зеленый светодиодный индикатор запуска/останова гаснет, и изделие останавливается через 180 секунд.

## Эксплуатация изделия

### Стрижка травы

1. Держите головку триммера чуть выше земли под углом. Не прижимайте режущую леску к траве. (Рис. 44)
2. Уменьшите длину режущей лески на 10-12 см / 4-4,75 дюйма.
3. Уменьшите частоту вращения двигателя, чтобы уменьшить риск повреждения растений.
4. При стрижке травы вблизи предметов дроссель должен быть открыт на 80%. (Рис. 45)

### Подрезка травы

1. Держите головку триммера над землей.
2. Наклоните головку триммера.
3. Используйте конец режущей лески для срезания травы вокруг объектов на участке работы.



**ВНИМАНИЕ:** Выполните стрижку травы. При ударе режущей лески о другие предметы повышается износ режущей лески.

### Кошение травы

1. При кошении травы держите режущую леску параллельно земле. (Рис. 46)
2. Не прижимайте головку триммера к земле. Это может привести к повреждению изделия.
3. При стрижке травы перемещайте изделие из стороны в сторону. Работайте на полных оборотах. (Рис. 47)

### Уборка травы

Воздушный поток от вращающейся режущей лески можно использовать для очистки участка от скошенной травы.

1. Держите головку триммера вместе с леской параллельно земле, не касаясь ее.
2. Полностью откройте дроссель.
3. Перемещайте триммер из стороны в сторону и очистите участок от скошенной травы.



**ПРЕДУПРЕЖДЕНИЕ:** Во избежание разбалансировки и вибраций на рукоятках каждый раз при установке новой режущей лески очищайте кожух головки триммера. Кроме того, проверяйте другие детали головки триммера и при необходимости очищайте их.

## Остановка изделия

1. Отпустите переключатель и стопор переключателя.
2. Нажмите и удерживайте нажатой кнопку запуска/остановки, пока зеленый светодиодный индикатор не погаснет.

3. Нажмите кнопки извлечения аккумулятора и снимите аккумулятор с изделия. (Рис. 48)

## Замена режущей лески

См. последнюю страницу данного руководства по эксплуатации.

# Техническое обслуживание

## Введение



**ПРЕДУПРЕЖДЕНИЕ:** Перед техническим обслуживанием изделия внимательно изучите раздел техники безопасности.

Ниже приведен перечень необходимых для выполнения процедур технического обслуживания изделия. Дополнительные сведения см. в разделе *Техническое обслуживание на стр. 355.*

## График технического обслуживания



**ПРЕДУПРЕЖДЕНИЕ:** Перед проведением технического обслуживания извлеките аккумулятор.

Техническое обслуживание	Ежеднев но	Еженеде льно	Ежемеся чно
Очистите внешние детали изделия сухой тряпкой. Не используйте воду.	X		
Проверьте исправность и отсутствие повреждений кнопки запуска/останова.	X		
Убедитесь, что переключатель и стопор переключателя работают надлежащим образом.	X		
Убедитесь, что все органы управления исправны и не повреждены.	X		
Рукоятки должны быть сухими и чистыми, без следов масла и смазки.	X		
Проверьте режущее оборудование на наличие повреждений. Если режущее оборудование повреждено, замените его.	X		
Проверьте щиток режущего оборудования на наличие повреждений. Если щиток режущего оборудования поврежден, замените его.	X		
Проверьте затяжку винтов и гаек.	X		
Убедитесь, что кнопки извлечения аккумулятора исправны и фиксируют аккумулятор в изделии.	X		
Проверьте исправность и отсутствие повреждений зарядного устройства аккумулятора.	X		
Проверьте аккумулятор на наличие повреждений.	X		
Убедитесь, что аккумулятор заряжен.	X		
Проверьте зарядное устройство на наличие повреждений.	X		
Осмотрите все провода, муфты и соединения. Проверьте их на наличие повреждений или загрязнений.		X	

Техническое обслуживание	Ежедневно	Еженедельно	Ежемесячно
Проверьте соединения между аккумулятором и изделием. Проверьте соединение между аккумулятором и зарядным устройством.			X

## Проверка аккумулятора и зарядного устройства

1. Проверьте аккумулятор на наличие повреждений, например, трещин.
2. Проверьте зарядное устройство на наличие повреждений, например, трещин.
3. Проверьте соединительный шнур зарядного устройства на наличие повреждений или трещин.

## Очистка изделия, аккумулятора и зарядного устройства

1. После использования очистите изделие сухой тканью.
2. Очистите аккумулятор и зарядное устройство сухой тканью. Направляющие аккумулятора должны быть очищены от грязи.

3. Перед установкой аккумулятора в зарядное устройство или изделие убедитесь, что клеммы аккумулятора и зарядного устройства не загрязнены.

## Проверка и замена триммерной головки

1. Проверьте триммерную головку на наличие повреждений и трещин.
2. Извлеките катушку с триммерным кордом.
3. Снимите триммерную головку. (Рис. 49)
4. Замените триммерную головку.
5. Установите триммерную головку. См. раздел *Сборка триммерной головки на стр. 352.*

# Поиск и устранение неисправностей

## Кнопочная панель

Светодиодный экран	Возможные неисправности	Возможные решения
Мигает светодиодный индикатор ошибки.	Перегрузка	Режущее оборудование не может свободно перемещаться. Освободите режущее оборудование.
	Отклонение температуры	Дайте изделию остыть.
Изделие не запускается.	Одновременно нажмите переключатель и кнопку запуска.	Отпустите переключатель и остановите изделие.
Светодиодный индикатор ошибки загорается красным светом.	Необходимо выполнить техническое обслуживание изделия.	Обратитесь к своему дилеру по обслуживанию.

## Аккумулятор

Светодиодный дисплей	Возможные неисправности	Возможные действия
Мигает зеленый светодиодный индикатор.	Аккумулятор разряжен.	Зарядите аккумулятор.

Светодиодный дисплей	Возможные неисправности	Возможные действия
Мигает светодиодный индикатор ошибки.	Отклонение температуры.	Используйте аккумулятор при температуре в диапазоне от -10 °C (14 °F) до 40 °C (104 °F).
	Слишком высокое напряжение.	Убедитесь, что напряжение в сети соответствует значению, указанному на паспортной табличке изделия.
		Извлеките аккумулятор из зарядного устройства.
Горит светодиодный индикатор ошибки.	Слишком большая разница в напряжении ячеек (1 В).	Обратитесь к своему дилеру по обслуживанию.

## Зарядное устройство

Проблема	Возможные неисправности	Возможное решение
Светодиодный индикатор зарядки горит красным.	Постоянная ошибка зарядного устройства.	Обратитесь в дилерский центр.
Светодиодный индикатор зарядки мигает зеленым.	Отклонение температуры: аккумулятор слишком холодный или слишком горячий для использования или зарядки.	Дайте аккумулятору остыть или прогрейте его. Когда температура аккумулятора будет соответствовать норме, его можно снова использовать или заряжать. Используйте зарядное устройство при температуре окружающей среды в диапазоне от 5 до 40 °C.
Светодиодный индикатор зарядки мигает красным.	Неисправность аккумулятора.	Обратитесь в дилерский центр.

## Транспортировка, хранение и утилизация

### Транспортировка и хранение

- Входящие в комплект литий-ионные аккумуляторы соответствуют требованиям законодательства в отношении опасных товаров.
- Соблюдайте особые требования к упаковке и этикеткам для коммерческих перевозок, в том числе третьими лицами и экспедиторами.
- Перед отправкой/транспортировкой изделия обратитесь к человеку, прошедшему специальную подготовку по работе с опасными материалами. Соблюдайте все применимые государственные нормативы.
- При помещении аккумулятора в упаковку заклейте лентой открытые контакты. Плотно упакуйте аккумулятор для предотвращения его движения.
- Перед хранением или транспортировкой аккумулятор необходимо извлекать из изделия.
- Храните аккумулятор и зарядное устройство в сухом помещении, не подверженном воздействию влаги и низких температур.
- Не допускается хранение аккумулятора в местах, где возможно возникновение статического электричества. Нельзя хранить аккумулятор в металлической коробке.
- Храните аккумулятор при температуре в диапазоне 5-25 °C / 41-77 °F, вдали от прямых солнечных лучей.
- Храните зарядное устройство для аккумулятора при температуре в диапазоне 5-45 °C / 41-113 °F, вдали от прямых солнечных лучей.
- Используйте зарядное устройство только при температуре окружающей среды в диапазоне 5-40 °C / 41-104 °F.
- Перед помещением аккумулятора на длительное хранение зарядите его до 30-50%.

- Храните зарядное устройство в сухом закрытом помещении.
- Храните аккумулятор отдельно от зарядного устройства. Не позволяйте притрагиваться к оборудованию детям и другим лицам, не имеющим соответствующего разрешения. Храните оборудование в месте, которое можно запереть.
- Перед помещением изделия на длительное хранение очистите его от загрязнений и проведите полное обслуживание.
- Во избежание травм или повреждений во время транспортировки и хранения изделия используйте транспортировочные щитки.
- Надежно закрепляйте изделие на время транспортировки.

## Утилизация аккумулятора, зарядного устройства и изделия

Символы на изделии или упаковке изделия указывают на то, что изделие запрещается утилизировать как бытовые отходы. Изделие необходимо передать в пункт переработки электрического и электронного оборудования. Это поможет предотвратить отрицательное воздействие на окружающую среду и здоровье людей.

Свяжитесь с местными органами власти, службой по утилизации бытовых отходов или дилером для получения дополнительной информации о том, как направить изделие на вторичную переработку.

## Технические данные

### Технические данные

	<b>215iL</b>
<b>Электродвигатель</b>	
Тип двигателя	BLDC (бесщеточный, постоянного тока)
Частота вращения выходного вала, об/мин	6800
Ширина кошения, мм	310
<b>Вес</b>	
Вес без аккумулятора, кг	2,9
<b>Излучение шума</b> <sup>64</sup>	
Уровень мощности звука, измеренный, дБ(А)	90,5
Уровень мощности звука, гарантированный, L <sub>WA</sub> , дБ(А)	92
<b>Уровни шума</b> <sup>65</sup>	
Эквивалентный уровень шумового давления на уровне уха пользователя, измерен согласно EN ISO 50636-2-91, дБ(А)	74,9
<b>Уровни вибрации</b> <sup>66</sup>	

<sup>64</sup> Излучение шума в окружающую среду измеряется как мощность звука (L<sub>WA</sub>) согласно директиве ЕС 2000/14/ЕС. Разница между гарантированной и измеренной мощностью звука заключается в том, что гарантированная мощность звука включает результаты измерений как диапазон и их отклонение для устройств одной и той же модели согласно директиве 2000/14/ЕС.

<sup>65</sup> Указанные данные об эквивалентном уровне шумового давления для изделия имеют типичный статистический разброс (стандартное отклонение) 2,5 дБ(А).

<sup>66</sup> Указанные данные об уровне вибрации имеют типичный статистический разброс (стандартное отклонение) 1,5 м/с<sup>2</sup>.

	<b>215iL</b>
Уровни вибрации на рукоятках, измерены согласно EN50636-2-91, м/с <sup>2</sup>	4,5 / 2,7
С триммерной головкой (оригинальной), спереди/сзади.	

### Рекомендованные аккумуляторы для изделия

Аккумулятор	BL10		BL20		40-B70	40-B140
Тип	Литий-ионный		Литий-ионный		Литий-ионный	Литий-ионный
Емкость аккумулятора, А·ч	См. паспортную табличку аккумулятора		См. паспортную табличку аккумулятора		См. паспортную табличку аккумулятора	См. паспортную табличку аккумулятора
Номинальное напряжение, В	36	36,5	36	36,5	36	36
Масса, фунт / кг	0,7	0,7	1,2	1,2	0,8	1,25

### Рекомендованные зарядные устройства для изделия

Зарядное устройство	QC80	40-C80
Напряжение сети, В	100-240	100-240
Частота, Гц	50-60	50-60
Мощность, Вт	100	72
Выходное напряжение, В пост. тока / ампер (А)	36/2	43 / 1,6

## Принадлежности

### Одобранные принадлежности

Одобранные принадлежности	Тип	Защита режущего оборудования, арт. Ю.
Триммерная головка	R25B (корд Ø 2 мм)	529 96 69-01

## Декларация о соответствии

### Декларация соответствия требованиям ЕС

Мы, компания **Husqvarna AB**, SE-561 82  
Husqvarna, Швеция, тел.: +46-36-146500, с полной  
ответственностью заявляем, что изделие:

Описание	Аккумуляторная травкосилка
Марка	Husqvarna
Тип / Модель	215iL
Идентификация	Серийные номера начиная с 2024 года и далее

полностью соответствует следующим директивам и  
нормативам ЕС:

Директива / Норматив	Описание
2006/42/ЕС	"О механическом оборудовании"
2014/30/EU	"Об электромагнитной совместимости"
2000/14/ЕС	"Об излучении шума в окружающую среду"
2011/65/EU	"Об ограничении использования определенных опасных веществ в электрическом и электронном оборудовании"

а также требованиям следующих стандартов  
и/или технических регламентов: EN 60335-1:2012/  
A15:2021, EN 50636-2-91:2014, EN IEC 63000:2018,  
EN IEC 55014-1:2021; EN IEC 55014-2:2021.

Уполномоченная организация: 0197 TÜV Rheinland  
LGA Products GmbH, Tillystraße 2, 90431  
Nürnberg, Germany подтвердила соответствие  
Директиве Совета ЕС 2000/14/ЕС, процедура оценки  
соответствия: Приложение VI.

Информацию по излучению шума см. в разделе  
*Технические данные на стр. 358.*

Husqvarna, 2024-02-01



Клаес Лосдал (Claes Losdal), директор отдела  
разработок, Husqvarna AB

Ответственный за техническую документацию



## Obsah

Úvod.....	361	Preprava, skladovanie a likvidácia.....	373
Bezpečnosť.....	362	Technické údaje.....	373
Montáž.....	368	Príslušenstvo.....	375
Prevádzka.....	368	Vyhľadanie o zhode.....	376
Údržba.....	371	Príloha .....	454
Riešenie problémov.....	372		



---

## Úvod

---

### Popis výrobku

Husqvarna 215iL je akumulátorový vyžínač trávnik a s elektrickým motorom.

Neustále pracujeme na tom, aby sme zabezpečili vyššiu bezpečnosť a efektivnosť počas prevádzky. Ak potrebujete ďalšie informácie, obráťte sa na servisného predajcu.

### Plánované použitie

Výrobok sa používa s nekovovými vyžínačmi strunami, nekovovými šnúrami alebo ekvivalentnými nekovovými

pružnými rezacími prvkami. Výrobok nepoužívajte na iné práce ako na kosenie buriny, trávy alebo podobnej jemnej vegetácie.

---

**Poznámka:** Používanie tohto výrobku môže byť obmedzené vnútroštátnymi predpismi.

---

### Prehľad výrobku

(Obr. 1)

1. Vyžínač hlava
2. Kryt rezacieho nadstavca
3. Hriadeľ
4. Nastavenie hriadeľa (teleskopické)
5. Oblúková rukoväť
6. Klávesnica
7. Výstražný indikátor klávesnice
8. Štartovacie/vypínacie tlačidlo
9. Tlačidlo SavE
10. Spúšťač
11. Blokovanie páčky vypínača
12. Indikátor zapnutia a upozornenia
13. Spojka
14. Nabíjačka batérie 40-C80
15. Nabíjačka batérie QC80
16. Napájací kábel
17. Ramienko na ochranu rastlín
18. Výstražný indikátor batérie
19. Stav batérie
20. Tlačidlo indikátora batérie
21. Tlačidlá uvoľnenia akumulátora
22. Batéria
23. Kombinovaný nástroj
24. Návod na obsluhu

(Obr. 4) Používajte chrániče očí.

(Obr. 5) Výrobok nevystavujte dažďu.

(Obr. 6) Označenie emisií hluku do životného prostredia podľa smerníc a nariadení EÚ a Spojeného kráľovstva (vrátane legislatívy Nového Južného Walesu). Údaje o emisiách hluku možno nájsť na štítku stroja a v kapitole Technické údaje.

(Obr. 7) Nedovoľte okolostojacim približovať sa k výrobku.

(Obr. 8) Pred vykonávaním údržby odpojte batériu.

(Obr. 9) Výrobok alebo jeho obal nepredstavuje komunálny odpad. Recyklujte ho v recyklačnej stanici určenej pre elektrické a elektronické zariadenia.

(Obr. 10) Tento výrobok je v súlade s príslušnými smernicami EÚ.

(Obr. 11) Tento výrobok je v súlade s príslušnými právnymi predpismi Spojeného kráľovstva.

(Obr. 12) Jednosmerný prúd.

### Symbole na výrobku

(Obr. 2) **UPOZORNENIE:** Tento výrobok môže byť nebezpečný a spôsobiť vážne poranenie alebo usmrtenie obsluhujúceho pracovníka alebo iných osôb. Postupujte opatrne a používajte výrobok správnym spôsobom.

(Obr. 3) Skôr než začnete produkt používať, pozorne si prečítajte návod na obsluhu a dôkladne sa oboznámte s pokynmi.

**rrrtbxxxx**

Výkonový štítek alebo la-serová tlač zobrazuje vý-robné číslo. **yyyy** je rok výr-oby a **ww** je týždeň výroby.

## Symbole na batérii a/alebo na nabíjačke batérií

- (Obr. 16) Tento výrobok recyklujte v re-  
cyklačnej stanici určenej pre  
elektrické a elektronické zaria-  
denia. (Uplatňuje sa iba na Eu-  
rópu)
- (Obr. 13) Transformátor odolný voči poruchám.
- (Obr. 14) Nabíjačku batérie používajte a skladuje  
len v interiéri.

(Obr. 15) Dvojité izolácia.

## Poškodenie výrobku

Nie sme zodpovední za škody na našom výrobku v  
prípade:

- nesprávne vykonanej opravy výrobku,
- opravy výrobku, pri ktorej neboli použité diely od  
výrobcu alebo diely schválené výrobcom,
- používania príslušenstva od iného výrobcu alebo  
príslušenstva, ktoré nie je schválené výrobcom,
- opravy výrobku, ktoré neboli vykonané  
v schválenom servisnom stredisku alebo  
schválenými kompetentnými osobami.

## Bezpečnosť

### Bezpečnostné definície

Výstrahy, upozornenia a poznámky slúžia na  
zdôraznenie mimoriadne dôležitých častí návodu.



**VÝSTRAHA:** Používa sa, ak pre  
obsluhu alebo osoby v okolí existuje  
nebezpečenstvo poranenia alebo smrti v  
prípade nedodržania pokynov v návode.



**VAROVANIE:** Používa sa, ak hrozí  
nebezpečenstvo poškodenia produktu, iných  
materiálov alebo okolitej oblasti v prípade  
nedodržania pokynov v návode.

**Poznámka:** Používa sa na poskytnutie informácií  
nad rámec nevyhnutných informácií v danej situácii.

### Všeobecné bezpečnostné upozornenie pre elektrické nástroje



**VÝSTRAHA:** Prečítajte si všetky  
bezpečnostné upozornenia a pokyny.  
Nedodržanie týchto výstrah a pokynov môže  
spôsobiť zásah elektrickým prúdom, požiar  
a/alebo ťažké zranenia.

**Poznámka:** Uchovajte si všetky upozornenia  
a pokyny pre budúce použitie. Výraz „elektrický  
nástroj“ v upozorneniach označuje elektrický nástroj  
napájaný z elektrickej siete (s káblom) alebo napájaný  
z akumulátora (bez kábla).

### Skontrolujte pred naštartovaním

- Akumulátor vždy vyberte, aby nedošlo k náhodnému  
zapnutiu výrobku. Pred akoukoľvek údržbou  
zariadenia vždy vyberte akumulátor.

- Pred použitím výrobku a po akomkoľvek  
náraze skontrolujte známky opotrebovania alebo  
poškodenia a podľa potreby vykonajte opravu.
- Skontrolujte pracovnú oblasť. Odstráňte všetky voľné  
predmety, ako sú kamene, úlomky skla, kince,  
ocelové drôty, šnúry a pod., ktoré by mohli pri  
strihaní vyletúvať alebo sa namotať na rezací nástroj  
alebo kryt rezacieho nástroja.
- Skontrolujte, či motor nie je znečistený a prasknutý.  
Očistite motor od trávy a lístia pomocou kefy. V  
prípade potreby noste rukavice.
- Skontrolujte, či je vyžínacia hlava úplne pripevnená k  
vyžínacu.
- Skontrolujte, či je výrobok v úplnom poriadku.  
Skontrolujte, či sú všetky matice a skrutky  
zatiahnuté.
- Skontrolujte či vyžínacia hlava a kryt vyžínacej  
hlavy nie sú poškodené alebo prasknuté. Vyžínaciu  
hlavu alebo ochranný kryt vymeňte, pokiaľ boli  
vystavené nárazom, alebo ak sú niekde prasknuté.  
Vždy používajte správny odporúčaný ochranný kryt  
zodpovedajúci používanému rezaciemu nadstavcu.  
Pozri kapitolu Technické dáta.
- Používateľ výrobku musí zabezpečiť, aby sa  
počas práce nemohli žiadni ľudia ani zvieratá  
priblížiť do vzdialenosti 15 metrov od výrobku.  
Pokiaľ v rovnakom priestore pracujú niekoľkí  
používatelia, bezpečná vzdialenosť medzi nimi musí  
byť minimálne 15 metrov.
- Pred použitím vykonajte celkovú kontrolu výrobku.  
Pozrite si plán údržby.
- Použitie môže byť regulované národnými alebo  
miestnymi predpismi. Dodržiavajte príslušné  
predpisy.

### Bezpečnosť na pracovisku

- **Udržiavajte pracovisko v čistote a dobre osvetlené.**  
Neporiadok alebo nedostatočné osvetlenie  
spôsobujú nehody.
- **Nepoužívajte elektrické nástroje vo výbušnom  
ovzduší, napríklad v prítomnosti horľavých kvapalín,**

plynov alebo prachu. Elektrické nástroje vytvárajú iskry, ktoré môžu vznietiť prach alebo výpary.

- **Pri používaní elektrického nástroja zabráňte deťom a okoloidúcim, aby sa zdržiavali vo vašej blízkosti.** Rušivé podnety môžu spôsobiť stratu kontroly.

## Elektrická bezpečnosť

- **Parametre elektrických nástrojov sa musia zhodovať s parametrami napájacej zásuvky.** Nikdy a žiadnym spôsobom nemodifikujte elektrickú zástrčku. S uzemnenými elektrickými nástrojmi nepoužívajte žiadne adaptérové zástrčky. Ak sa zástrčky neupravujú a používajú sa zodpovedajúce zásuvky, zníži sa riziko úrazu elektrickým prúdom.
- **Zabráňte kontaktu tela s uzemnenými povrchmi, ako sú rúry, radiátory, sporáky a chladničky.** Riziko úrazu elektrickým prúdom je vyššie, ak je vaše telo uzemnené.
- **Nevystavujte elektrické nástroje dažďu alebo vlhkým podmienkam.** Voda vnikajúca do elektrického náradia zvyšuje riziko úrazu elektrickým prúdom.
- **Nepoužívajte kábel nesprávnym spôsobom.** Nikdy nepoužívajte kábel na nosenie, ťahanie alebo odpájanie elektrického náradia. **Chráňte šnúru pred horúčavou, olejom, ostrými hranami alebo pohybujúcimi sa dielcami.** Poškodené alebo zamotané káble zvyšujú riziko úrazu elektrickým prúdom.
- **Pri práci s elektrickým náradím vonku používajte predĺžovací kábel vhodný na vonkajšie použitie.** Používanie predĺžovacej šnúry určenej do vonkajšieho prostredia znižuje riziko zásahu elektrickým prúdom.
- **Ak je nevyhnutné použiť elektrický nástroj vo vlhkom prostredí, na napájanie nástroja použite vedenie vybavené prúdovým chráničom (RCD).** Použitie prúdového chrániča znižuje riziko úrazu elektrickým prúdom.

## Osobná bezpečnosť

- **Buďte pozorní, sledujte, čo robíte, a pri používaní elektrického nástroja postupujte rozumne.** Nepoužívajte elektrický nástroj, keď ste unavení alebo pod vplyvom drog, alkoholu alebo liekov. Chvilka nepozornosti pri používaní elektrických nástrojov môže spôsobiť vážny úraz.
- **Používajte osobné ochranné pomôcky.** Vždy noste ochranné prostriedky očí. Ochranné vybavenie, ako sú napríklad masky proti prachu, bezpečnostné topánky s protišmykovou podrážkou, prilby alebo chrániče sluchu použité vo vhodných prípadoch znižujú počet osobných poranení.
- **Zabráňte neúmyselnému spusteniu zariadenia.** Pred pripojením k elektrickej sieti alebo batérii, zdvihnutím alebo prenášaním nástroja overte, či je vypínač vo vypnutej polohe. Prenášanie elektrických nástrojov s prstom na vypínači alebo pripojenie napájania k nástrojom, ktoré majú vypínač zapnutý, zvyšuje riziko nehôd.

- **Pred zapnutím elektrického nástroja vyberte nastavovací kľúč alebo kľúč na matice.** Kľúč nasadený na otáčajúcu sa časť elektrického nástroja môže spôsobiť úraz.
- **Nenaťahuje sa príliš ďaleko. Vždy si udržiavajte rovnováhu a správny postoj.** To umožňuje lepšie ovládanie elektrického nástroja v neočakávaných situáciách.
- **Vhodne sa oblečte. Nenoste voľné oblečenie alebo šperky. Udržujte svoje vlasy a oblečenie mimo dosahu pohyblivých častí.** Voľné oblečenie, šperky alebo dlhé vlasy sa môžu zachytiť v pohyblivých častiach.
- **Ak je možné pripojiť zariadenia na odsávanie a zber prachu, overte, či sú tieto zariadenia pripojené a či sa správne používajú.** Používanie zberača prachu môže obmedziť nebezpečenstvá týkajúce sa prachu.
- **Nedovoľte, aby vás skúsenosti získané častým používaním nástrojov uspokojili, a ignorovali by ste bezpečnostné pravidlá pri používaní nástroja.** Neopatrné konanie môže v zlomku sekundy spôsobiť vážne poranenie.
- **Emisia vibrácií počas používania elektrického nástroja sa môže líšiť od deklarovanej celkovej hodnoty v závislosti od spôsobu, akým je elektrický nástroj použitý.** Operátori sú povinní identifikovať a prijať opatrenia pre zaistenie vlastnej bezpečnosti, ktoré sú založené na odhade podmienok pri danom použití nástroja (prítom je potrebné vziať do úvahy všetky časti prevádzkového cyklu, ako napríklad čas, keď je zariadenie vypnuté, čas, keď je zariadenie v pohotovostnom stave a čas, keď je zariadenie spustené).

## Používanie a starostlivosť o elektrické náradie

- **Nepoužívajte elektrický nástroj násilím. Používajte správny elektrický nástroj na dané použitie.** Správny elektrický nástroj vykoná prácu lepšie a bezpečnejšie pri rýchlosti, na akú je určený.
- **Nepoužívajte elektrický nástroj, ak sa nedá zapnúť a vypnúť vypínačom.** Akýkoľvek elektrický nástroj, ktorý sa nedá ovládať vypínačom, je nebezpečný a musí sa opraviť.
- **Pred akýmkoľvek nastavením, výmenou príslušenstva alebo skladovaním elektrického nástroja odpojte zástrčku od zdroja napájania alebo vyberte akumulátor z elektrického nástroja, ak je vyberateľný.** Takéto preventívne bezpečnostné opatrenia znižujú riziko náhodného spustenia elektrického nástroja.
- **Nepoužívané elektrické nástroje udržiavajte mimo dosahu detí a nedovoľte osobám, ktoré nepoznajú elektrické nástroje alebo tieto pokyny, aby elektrický nástroj používali.** Elektrické nástroje sú nebezpečné v rukách neskusených používateľov.
- **Vykonávajte údržbu elektrického náradia a príslušenstva.** Skontrolujte vychýlenie alebo ohnutie pohyblivých častí, nalomenie častí alebo akékoľvek iné poškodenie, ktoré môže ovplyvniť prevádzku elektrického nástroja. Ak je elektrický nástroj

poškodený, dajte ho pred použitím opraviť. Mnoho nehôd je spôsobených nedostatočne udržiavanými elektrickými nástrojmi.

- **Rezacie nástroje udržiavajte nabrúsené a v čistote.** Správne udržiavané rezacie nástroje s ostrými hranami sú menej náchylné na ohnutie a ľahšie sa ovládajú.
- **Používajte elektrický nástroj, príslušenstvo a diely nástroja atď. v súlade s týmito pokynmi, pričom vezmite do úvahy pracovné podmienky a typ vykonávanej práce.** Používanie elektrického náradia na iné ako určené účely môže vyvolať nebezpečnú situáciu.
- **Rukováti a úchytné povrchy udržiavajte suché, čisté a neznečistené olejom a mazivom.** Šmyklivé rukováti a povrchy na uchopenie neumožňujú bezpečnú manipuláciu a ovládanie nástroja v nečakaných situáciách.

### Používanie nástroja napájaného akumulátorom a starostlivosť oň

- **Nabíjajte iba pomocou nabíjačky špecifikovanej výrobcom.** Nabíjačka, ktorá je vhodná pre jeden typ akumulátora, môže pri použití s iným akumulátorom predstavovať nebezpečenstvo požiaru.
- **Výrobok používajte iba s presne určenými akumulátormi.** Pri použití akéhokoľvek iného akumulátora môže hroziť nebezpečenstvo poranenia a požiaru.
- **Keď sa akumulátor nepoužíva, udržiajte ho mimo dosahu kovových predmetov, ako sú spony na papier, mince, kľúče, klince, skrutky alebo iné drobné kovové predmety, ktoré môžu vytvoriť spoj medzi svorkami.** Skratovanie svoriek akumulátora môže spôsobiť popálenie alebo požiar.
- **Pri neopatrnom zaobchádzaní môže z akumulátora uniknúť tekutina. Nedotýkajte sa jej. V prípade náhodného kontaktu umyte postihnuté miesto vodou. Ak sa dostane kvapalina z akumulátora do očí, vyhľadajte aj lekársku pomoc.** Kvapalina vystrekujúca z akumulátora môže spôsobiť podráždenie alebo popálenie.
- **Nepoužívajte poškodený alebo upravený akumulátor alebo nástroj.** Poškodené alebo upravené akumulátory môžu mať za následok nepredvídateľné fungovanie a spôsobiť požiar, výbuch alebo predstavovať nebezpečenstvo poranenia.
- **Akumulátor alebo nástroj nevystavujte ohňu alebo nadmerne vysokým teplotám.** Oheň alebo teploty nad 130 °C môžu spôsobiť výbuch.
- **Dodržiavajte všetky pokyny na nabíjanie a pri nabíjaní nevystavujte akumulátor alebo nástroj teplotám, ktoré sú mimo teplotného rozsahu uvedeného v pokynoch.** Pri nesprávnom nabíjaní alebo pri vonkajších teplotách mimo uvedeného rozsahu hrozí poškodenie akumulátora a zvyšuje sa nebezpečenstvo požiaru.

### Servis

- **Elektrické náradie zverte do opravy iba kvalifikovanému odborníkovi a používajte iba originálne náhradné súčiastky.** Tým sa zaisť zachovanie bezpečnosti elektrického nástroja.
- **Poškodené akumulátory nikdy neservisujte sami.** Servis akumulátorov smie vykonávať len výrobca alebo autorizovaný servis.

### Vždy sa riadte zdravým rozumom

Nie je možné predvídať každú situáciu, ktorá môže nastať. Vždy konajte opatrne a riadte sa zdravým rozumom. Vyvarujte sa každej situácie, ktorá poďia vás presahuje vaše možnosti. Ak si ani po prečítaní týchto pokynov nie ste istý, ako so strojom zaobchádzať, obráťte sa na odborníka.



**VÝSTRAHA:** Nikdy nedovoľte deťom používať stroj alebo sa zdržiavať v jeho blízkosti. Keďže stroj sa ľahko štartuje, deti môžu byť schopné naštartovať ho, pokiaľ nie sú pod neustálym dohľadom. To môže znamenať riziko vážneho poranenia. Preto odpojte batériu, keď stroj nie je pod dohľadom.

### Všeobecné bezpečnostné pokyny



**VÝSTRAHA:** Skôr než budete výrobok používať, prečítajte si nasledujúce výstrahy.

- Batériu vyberte, aby nedošlo k náhodnému zapnutiu výrobku.
- Tento výrobok môže byť nebezpečný, ak nie ste opatrní alebo ho používate nesprávne. Tento výrobok môže spôsobiť vážne poranenie alebo usmrtenie obsluhujúceho pracovníka alebo iných osôb.
- Výrobok nepoužívajte, ak sa zmenili jeho pôvodné technické špecifikácie. Nevymieňajte diely výrobku bez schválenia výrobcu. Používajte len diely schválené výrobcom. Nesprávna údržba môže mať za následok poranenie alebo smrť.
- Pred používaním výrobok skontrolujte. Pozrite si časť *Skontrolujte pred naštartovaním na strane 362* a *Pred obsluhou zariadenia na strane 369*. Nepoužívajte výrobok, ktorý je poškodený alebo nefunguje správne. Vykonávajte bezpečnostné kontroly, údržby a dodržiavajte servisné pokyny uvedené v tomto návode.
- Deti musia byť pod dohľadom, aby sa zabezpečilo, že sa s výrobkom nehrajú. Nikdy nedovoľte deťom a iným osobám, ktoré nie sú vyškolené v používaní výrobku a/alebo batérie, používať alebo opravovať výrobok alebo batériu. Vek operátora môžu stanovovať miestne zákony.
- Výrobok skladujte v uzamknutom priestore mimo dosahu detí a neoprávnených osôb.

- Výrobok skladujte mimo dosahu detí.
- Za žiadnych okolností nemeňte pôvodnú konštrukciu výrobku bez schválenia od výrobcu. Vždy používajte originálne príslušenstvo. Nepovolené zmeny alebo príslušenstvo môžu viesť k vážnemu poraneniu alebo smrti obsluhy a ostatných osôb.

**Poznámka:** Používanie môže byť regulované vnútroštátnymi alebo miestnymi právnymi predpismi. Dodržiavajte príslušné predpisy.

## Bezpečnostné pokyny pre prevádzku



**VÝSTRAHA:** Skôr než budete výrobok používať, prečítajte si nasledujúce výstrahy.

- **Zariadenie nepoužívajte počas nepriaznivých poveternostných podmienok, najmä ak hrozí riziko bleskov.** Zníži sa tým riziko zasiahnutia bleskom.
- **Skontrolujte, či sa v priestore, kde sa má zariadenie používať, nenachádzajú voľne žijúce živočíchy.** Počas prevádzky zariadenia môže dôjsť k zraneniu voľne žijúcich živočíchov.
- **Pozorne skontrolujte priestor, v ktorom sa bude zariadenie používať, a odstráňte všetky kamene, káble, kosti a iné cudzie predmety.** Vymršťované predmety môžu spôsobiť poranenie osôb.
- **Pred používaním zariadenia vždy vizuálne skontrolujte, či nie sú nôž a zostava noža poškodené.** Poškodené diely zvyšujú riziko poranenia.
- **Neodstraňujte ochranné kryty. Ochranné kryty musia byť v dobrom prevádzkovom stave a správne osadené.** Uvoľnený, poškodený alebo nesprávne fungujúci ochranný kryt môže viesť k zraneniu osôb.
- **Všetky vstupné otvory chladiaceho vzduchu udržiavajte čisté od zvyškov.** Upchaté vstupné otvory vzduchu a zvyšky môžu viesť k prehriatiu alebo riziku požiaru.
- **Noste ochranné prostriedky očí a sluchu.** Používaním náležitých ochranných prostriedkov sa zníži riziko zranenia.
- **Počas používania zariadenia vždy noste protišmykovú a ochrannú obuv. Ak ste bosí alebo máte obuté otvorené sandále, toto zariadenie nepoužívajte.** Zníži sa tým riziko poranenia chodidiel kontaktom s pohybujúcim sa nožom.
- **Počas používania zariadenia vždy noste odev, ktorý vám zakrýva nohy, ako sú nohavice.** Kontakt s pohybujúcim sa nožom alebo lankom môže spôsobiť zranenie.
- **Počas používania zariadenia nedovoľte okolostojacim približovať sa.** Vymršťované úlomky môžu mať za následok vážne zranenie.
- **Zariadenie nepoužívajte nad výškou pásu.** Pomôže to zabrániť neúmyselnému kontaktu noža a umožní uje to lepšiu kontrolu nad zariadením v neočakávaných situáciách.

- **Pri používaní zariadenia v mokrej tráve buďte opatrný. Pri práci so zariadením kráčajte, nebežte.** Znižuje sa tým riziko pošmyknutia, spadnutia a následného zranenia.
- **Zariadenie nepoužívajte na nadmerne strmých svahoch.** Znižuje sa tým riziko straty kontroly, pošmyknutia, spadnutia a následného zranenia.
- **Pri práci na svahoch vždy dbajte na to, aby ste mali pevné postavenie, vždy pracujte naprieč svahom, nikdy smerom nahor alebo nadol a buďte mimoriadne opatrný pri zmene smeru.** Znižuje sa tým riziko straty kontroly, pošmyknutia, spadnutia a následného zranenia.
- **Všetky napájacie káble a ostatné káble udržiavajte mimo oblastí rezania.** Napájacie káble alebo iné káble môžu byť skryté v živých plotoch alebo kríkoch a lanko alebo nôž ich môže náhodne preseknúť.
- **Všetky časti tela udržiavajte mimo dosahu pohybujúceho sa noža alebo lanka vyžínača. Neodstraňujte zo zariadenia materiál, kým nie je odpojené od napájania.** Pohybujúci sa nôž alebo lanko vyžínača môže spôsobiť vážne zranenie.
- **Zariadenie prenášajte vypnuté a mimo tela.** Správnou manipuláciou so zariadením sa zníži pravdepodobnosť náhodného kontaktu s pohybujúcim sa nožom alebo lankom vyžínača.
- **Používajte len náhradné rezné hlavy a nože alebo lanká vyžínača stanovené výrobcom. Nože alebo lanká vyžínača nenahrádzajte kovovými drôtni alebo čepelami.** Nesprávne náhradné diely môžu spôsobiť stratu kontroly, poškodenie a poranenie.

## Osobné ochranné prostriedky



**VÝSTRAHA:** Skôr než budete výrobok používať, prečítajte si nasledujúce výstrahy.

- Pri používaní produktu vždy používajte schválené osobné ochranné prostriedky. Osobné ochranné prostriedky nedokážu úplne vylúčiť riziko, ale môžu znížiť vážnosť zranenia v prípade nehody. Váš predajca vám pomôže pri výbere správnych prostriedkov.
- Používajte schválené chrániče sluchu.  
(Obr. 17)
- Používajte schválené chrániče očí. Ak používate štít, musíte tiež používať schválené ochranné okuliare. Schválené ochranné okuliare musia zodpovedať norme ANSI Z87.1 platnej v USA alebo norme EN 166 platnej v krajinách EÚ.  
(Obr. 18)
- Keď je to potrebné, používajte rukavice, ako napríklad pri montáži, kontrole alebo čistení rezného zariadenia.  
(Obr. 19)

- Používajte ochrannú obuv s oceľovou špičkou a protišmykovými podrážkami.

(Obr. 20)

- Používajte odev vyrobený z pevnej tkaniny. Vždy noste pevné, dlhé nohavice a dlhé rukávy. Nepoužívajte voľný odev, ktorý sa môže zachytiť v konároch a vetvách. Nepoužívajte šperky, krátke nohavice ani sandále. Nechodte bosí. Vlasy si bezpečne uchytte nad úrovňou ramien.
- Majte poruke vybavenie prvej pomoci.

(Obr. 21)

## Bezpečnostné zariadenia na výrobku



**VÝSTRAHA:** Skôr než budete výrobok používať, prečítajte si nasledujúce výstrahy.

V tejto časti je opísané bezpečnostné vybavenie výrobku, jeho účel a postup, ako vykonávať kontroly a údržbu, aby bola zabezpečená jeho správna činnosť. Pozrite si pokyny v časti *Úvod na strane 361* kde nájdete informácie o umiestnení týchto častí na výrobku.

Ak údržba výrobku nebude vykonávaná správne, skráti sa tým jeho životnosť a zvýši sa riziko nehodovosti. Servis a/alebo opravy musia byť vykonané odborné. Ak potrebujete podrobnejšie informácie, obráťte sa na najbližší servis.



**VÝSTRAHA:** Nikdy nepoužívajte výrobok, ktorý má chybné bezpečnostné prvky. Bezpečnostné vybavenie výrobku sa musí kontrolovať a udržiavať tak, ako je to opísané v tejto časti. Ak výrobok neprejde niektorou z kontrol, obráťte sa na servisného zástupcu na účel opravy.



**VAROVANIE:** Všetky servisné a opravné práce na stroji si vyžadujú špeciálne školenie. Toto najmä platí o bezpečnostnom vybavení výrobku. Ak stroj neprejde niektorou z kontrol popísaných nižšie, doneste ho do servisnej dielne. Pri kúpe ktoréhokoľvek z našich výrobkov vám zaručujeme dostupnosť odborných opráv a servis. Ak maloobchodný predajca, ktorý vám predáva stroj nie je servisný zástupca, požiadajte ho o adresu najbližšej servisnej dielne.

## Kontrola klávesnice

1. Stlačte a držte štartovacie/vypínacie tlačidlo (A). (Obr. 22)
  - a) Produkt je zapnutý, keď svieti dióda LED (B).
  - b) Produkt je vypnutý, keď nesvieti dióda LED (B).
2. Ak svieti alebo bliká indikátor (C), pozrite si časť *Klávesnica na strane 372*.

## Kontrola poistky páčky vypínača

Poistka páčky vypínača zabraňuje náhodnému spusteniu. Po stlačení poistky páčky vypínača (A) sa uvoľní páčka vypínača (B). Keď uvoľníte rukoväť, páčka vypínača aj poistka páčky vypínača sa vrátia späť do svojej východiskovej polohy. (Obr. 23)

1. Ubezpečte sa, či je páčka vypínača zaistená, keď je poistka páčky vypínača vo svojej východiskovej polohe. (Obr. 24)
2. Stlačte páčku vypínača a uistite sa, či sa po uvoľnení vráti do pôvodnej polohy. (Obr. 25)
3. Dbajte na to, aby sa páčka vypínača a poistka páčky vypínača pohybovala voľne a aby spätná pružina správne fungovala. (Obr. 26)
4. Zapnite výrobok. Pozrite si časť *Zapnutie výrobku na strane 370*.
5. Pridajte na plný výkon.
6. Uvoľníte páčku vypínača a skontrolujte, či sa rezací nadstavec úplne zastavil.

## Kontrola krytu rezacieho nadstavca



**VÝSTRAHA:** Nepoužívajte rezací nadstavec bez schváleného a správne nasadeného krytu rezacieho nadstavca. Vždy používajte odporúčaný ochranný kryt zodpovedajúci používanému rezaciemu nadstavcu, pozrite si časť *Technické údaje na strane 373*. Použitie nesprávneho alebo poškodeného krytu rezacieho nadstavca by mohlo zapríčiniť osobné poranenie.

Kryt rezacieho nadstavca slúži na zastavenie predmetov vymrštených smerom k obsluhu. Kryt rezacieho nadstavca tiež zamedzuje vzniku zranení spôsobených dotykom s rezacím nadstavcom.

1. Vypnite motor.
2. Pohľadom skontrolujte prítomnosť prípadných poškodení, napríklad prasklín.
3. Ak je kryt rezacieho nadstavca poškodený, vymeňte ho.

## Rezné zariadenie

Vyberte správne rezné zariadenie a vykonajte údržbu rezného zariadenia s cieľom:

- získať maximálny výkon rezania,
- zvýšiť životnosť rezného zariadenia.



**VÝSTRAHA:** Používajte len rezacie nástavce s odporúčanými ochrannými prvkami! Pozrite si časť *Technické údaje na strane 373*. Vyhľadajte si pokyny týkajúce sa rezacích nadstavcov, aby ste našli správne

uchytenie žacieho lanka a zvolili správny priemer žacieho lanka.



**VÝSTRAHA:** Poškodené rezacie nadstavce môžu zvýšiť riziko nehôd.



**VÝSTRAHA:** Pred akoukoľvek prácou na rezačom nadstavci vždy zastavte motor. Po uvoľnení plynu sa budú naďalej otáčať. Pred prácou s rezacím nadstavcom zabezpečte, aby bol úplne zastavený, a odpojte kryt zapalovacej sviečky.

### Vyžínacia hlava



**VÝSTRAHA:** Vždy zaistíte, aby bolo žacie lanko v cievke navinuté tesne a rovnomerne, aby sa zabránilo nebezpečným vibráciám.

(Obr. 27)

- Používajte iba odporúčané vyžínacie hlavy a žacie lanká.
- Používajte iba odporúčané rezacie nadstavce.
- Menšie stroje vyžadujú menšie vyžínacie hlavy a naopak.
- Dĺžka žacieho lanka je dôležitá. Dlhšie žacie lanko si vyžaduje silnejší stroj než kratšie lanko s rovnakým priemerom.
- Uistite sa, či je rezací zub na kryte vyžínacej hlavy nepoškodený. Tento zub presne odrezáva žacie lanko na potrebnú dĺžku.
- Ak chcete predĺžiť životnosť žacieho lanka, pred použitím ho namočte na pár dní do vody.

### Bezpečnosť akumulátorov



**VÝSTRAHA:** Skôr než budete výrobok používať, prečítajte si nasledujúce výstrahy.

- Používajte iba akumulátory série BLi a 40-B. Podrobnosti nájdete v časti *Technické údaje na strane 373*. Batéria je zakódovaná softvérom.
- Nabíjateľné akumulátory série BLi a 40-B používajte iba na napájanie príslušných výrobkov značky Husqvarna. V prípade iných zariadení nepoužívajte batériu ako zdroj napájania, aby ste zabránili riziku zranenia.
- Nebezpečenstvo zásahu elektrickým prúdom. Nepripájajte konektory batérie ku kľúčom, minciam, skrutkám ani k iným kovovým predmetom. Môže dôjsť k skratu batérie.
- Nepoužívajte nenabíjateľné akumulátory.
- Do vetracích otvorov batérie nekladajte žiadne predmety.

- Batériu nevystavuje priamemu slnečnému žiareniu, teplu ani otvorenému ohňu. Batéria môže spôsobiť popálenie alebo poleptanie.
- Batériu nevystavuje dažďu ani vlhku.
- Batériu nevystavuje mikrovlnnému žiareniu ani vysokému tlaku.
- Nepokúšajte sa rozoberať ani rozdrviť batériu.
- V prípade úniku kvapaliny z batérie zabráňte zasiahnutiu pokožky a očí kvapalinou. V prípade kontaktu s kvapalinou umyte zasiahnutú oblasť veľkým množstvom vody s mydlom a vyhľadajte lekársku pomoc. Ak sa vám kvapalina dostane do očí, nepretierajte si ich, ale si ich minimálne 15 minút vyplachujte vodou. Následne vyhľadajte lekársku pomoc.
- Batériu používajte v prostredí, v ktorom sa teplota pohybuje od  $-10\text{ }^{\circ}\text{C}$  ( $14\text{ }^{\circ}\text{F}$ ) do  $40\text{ }^{\circ}\text{C}$  ( $114\text{ }^{\circ}\text{F}$ ).
- Batériu ani nabíjačku batérií nečistite vodou. V časti *Čistenie výrobku, batérie a nabíjačky batérií na strane 371*.
- Nepoužívajte chybnú ani poškodenú batériu.
- Batérie uchovávajte v bezpečnej vzdialenosti od kovových predmetov, ako sú napr. klince, skrutky alebo šperky.
- Batériu uchovávajte mimo dosahu detí.

### Bezpečnosť nabíjačky batérií



**VÝSTRAHA:** Skôr než budete výrobok používať, prečítajte si nasledujúce výstrahy.

- V prípade nedodržania bezpečnostných pokynov hrozí nebezpečenstvo zásahu elektrickým prúdom alebo skratu.
- Používajte len nabíjačku batérií dodanú s vaším výrobkom. Na nabíjanie náhradných batérií série BLi a 40-B používajte iba nabíjačky QC80 a 40-C80.
- Nabíjačku batérií sa nepokúšajte rozoberať.
- Nepoužívajte chybnú alebo poškodenú nabíjačku batérií.
- Nabíjačku batérií nedvíhajte za napájací kábel. Pri odpájaní nabíjačky batérií od sieťovej zásuvky ťahajte za zástrčku. Neťahajte za napájací kábel.
- Udržujte všetky káble a predlžovacie káble mimo dosahu vody, oleja a ostrých hrán. Dbajte, aby sa kábel nezachytil vo dverách, plotoch a podobne.
- Nabíjačku batérií nepoužívajte v blízkosti horľavých materiálov alebo materiálov, ktoré spôsobujú koróziu. Skontrolujte, či nabíjačka batérií nie je zakrytá. V prípade výskytu dymu alebo ohňa odpojte zástrčku nabíjačky batérií.
- Batériu nabíjajte len v interiéri na miestach s dobrým prúdením vzduchu a mimo slnečného svetla. Batériu nenabíjajte vonku. Batériu nenabíjajte vo vlhkom prostredí.
- Nabíjačku batérií používajte iba pri teplotách od  $5\text{ }^{\circ}\text{C}$  ( $41\text{ }^{\circ}\text{F}$ ) do  $40\text{ }^{\circ}\text{C}$  ( $104\text{ }^{\circ}\text{F}$ ). Nabíjačku používajte

v prostredí, ktoré je dobre vetrané, suché a bez prachu.

- Do chladiacich otvorov nabíjačky batérií nekladajte žiadne predmety.
- Nikdy nepripájajte koncovky nabíjačky batérií ku kovovým predmetom, pretože tak môže nabíjačka skratovať.
- Používajte schválené elektrické zásuvky, ktoré nie sú poškodené. Skontrolujte, či nie je poškodený kábel nabíjačky batérií. Ak používate predlžovacie káble, uistite sa, že nie sú poškodené.
- Nenabíjajte batérie v nabíjačkách batérií nenabíjajte.

## Bezpečnostné pokyny pre údržbu



**VÝSTRAHA:** Skôr než začnete s údržbou výrobku, prečítajte si nasledujúce výstrahy.

- Pred vykonávaním údržby, inými kontrolami alebo zmontovaním produktu vyberte batériu.
- Obsluha je povinná vykonávať iba údržbu a servisné úkony uvedené v tomto návode na obsluhu. O vykonanie rozsiahlejšej údržby alebo servisu požiadajte svojho servisného zástupcu.
- Batériu ani nabíjačku batérií nečistite vodou. Silné čistiace prostriedky môžu spôsobiť poškodenie plastov.
- V prípade zanedbania údržby sa skracuje životnosť výrobku a zvyšuje sa riziko vzniku nehôd.
- Na vykonávanie všetkých servisných a opravných úkonov, najmä na bezpečnostných zariadeniach na výrobku, je potrebné špeciálne odborné vzdelanie. Ak po vykonaní údržby nie je možné úspešne vykonať všetky kontroly v tomto návode na obsluhu, požiadajte o pomoc servisného predajcu. Zaručujeme, pre tento výrobok sú k dispozícii profesionálne opravné a servisné služby.
- Používajte iba originálne náhradné diely.

## Montáž

### Úvod



**VÝSTRAHA:** Pred montážou výrobku si prečítajte kapitolu o bezpečnosti a uistite sa, že rozumiete informáciám, ktoré sa v nej uvádzajú.

3. Utiahnite skrutky.
4. Nastavte oblúkovú rukoväť do správnej polohy. Pozrite si časť *Nastavenie oblúkovej rukoväte a teleskopického hriadeľa na strane 370.*

### Montáž krytu výžinacej hlavy

1. Priložte kryt výžinaca ku krytu motora. (Obr. 28).
2. Prestrčte skrutku cez kryt motora a kryt výžinaca. (Obr. 29)
3. Utiahnite skrutku.

### Montáž vyžinacej hlavy

1. Otáčajte výstupný hriadeľ, kým sa otvor na hnacom disku nezarovná s otvorom na skrini prevodovky.
2. Vložte poistný kolík do otvoru na zaistenie hriadeľa.
3. Otočte výžinaciu hlavu proti smeru hodinových ručičiek. (Obr. 30)

### Montáž oblúkovej rukoväti

1. Nainštalujte skrutku do oblúkovej rukoväte. (Obr. 31)
2. Oblúkovú rukoväť primontujte k nadstavcu na hriadeľ.

### Montáž ochranného krytu rastlín

1. Namontujte ochranný kryt rastlín do otvorov na kryte motora. (Obr. 32)
2. Skontrolujte, či sa ochranný kryt rastlín môže voľne pohybovať dopredu a dozadu. (Obr. 33)

### Montáž nabíjačky 40-C80 na stenu



**VAROVANIE:** Na montáž nabíjačky akumulátora na stenu nepoužívajte elektrický skrutkovač. Elektrický skrutkovač môže spôsobiť poškodenie nabíjačky batérií.

1. Namontujte nabíjačku akumulátora na stenu pomocou 2 skrutiek (B). V prípade potreby použite rozperky (A). (Obr. 34)
2. Namontujte 2 závitové uzávery (C).
3. Napájací kábel pripojte do nabíjačky batérií a do uzemnenej zásuvky.

## Prevádzka

### Úvod



**VÝSTRAHA:** Pred používaním výrobku si prečítajte kapitolu o bezpečnosti a uistite

sa, že rozumiete informáciám, ktoré sa v nej uvádzajú.



## Pred obsluhou zariadenia

- Preskúmajte pracovnú oblasť, aby ste spoznali typ terénu. Skontrolujte sklon terénu a to, či sa v okolí nenachádzajú prekážky (napríklad skaly, konáre a jamy).
- Vykonajte celkovú kontrolu výrobku.
- Vykonajte bezpečnostné opatrenia, údržbu a servis uvedené v tomto návode.
- Skontrolujte, či motor nie je znečistený alebo prasknutý. Pomocou kefy očistite motor od trávy a listia. V prípade potreby používajte ochranné rukavice.
- Skontrolujte, či sa na vyžínacej hlave alebo rezacom nastavci nenachádzajú známky poškodenia alebo praskliny. Ak sú vyžínacia hlava alebo rezací nastaviec narazené alebo prasknuté, vymeňte ich.
- Skontrolujte, či sú všetky matice a skrutky dotiahnuté.
- Pred spustením výrobku skontrolujte, či sú všetky kryty, ochranné prvky, rukoväta a rezné zariadenia správne nasadené a nie sú poškodené.

## Batéria



**VÝSTRAHA:** Pred používaním akumulátora si prečítajte kapitolu

o bezpečnosti a uistite sa, že rozumiete informáciám, ktoré sa v nej uvádzajú. Prečítajte si návod na obsluhu akumulátora a nabíjačky akumulátora a uistite sa, že mu rozumiete.

Akumulátor a nabíjačku udržiavajte pri správnej teplote okolia.

	Teplota okolitého prostredia
Prevádzka batérie	5 °C - 40 °C / 41 °F - 104 °F
Nabíjanie batérie	5 °C - 40 °C / 41 °F - 104 °F

### Stav batérie

Na displeji sa zobrazuje stav nabitia a prípadné problémy s batériou.

(Obr. 35)

Indikátor LED	Stav batérie (stav nabitia)	
	BLI10, BLI20	40-B70, 40-B140
Svietia 4 diódy LED	–	Batéria je nabitá na 76 % – 100 %.
Svietia 3 diódy LED	Batéria je nabitá na 76 % – 100 %.	Batéria je nabitá na 51% – 75%.
Svietia 2 diódy LED	Batéria je nabitá na 51% – 75%.	Batéria je nabitá na 26% – 50%.
Svieti 1 dióda LED	Batéria je nabitá na 26% – 50%.	Batéria je nabitá na 6% – 25%.
Bliká 1 dióda LED	Batéria je nabitá na 0 % – 25 %.	Batéria je nabitá na 0 % – 5 %.

### Nabíjanie batérie

Ak batériu používate prvýkrát, nabite ju. Nová batéria je nabitá iba na 30 %.



**VAROVANIE:** Nabíjačku akumulátora pripájajte k sieťovej zásuvke s napätím a frekvenciou uvedenými na výkonovom štítku.

Akumulátor sa nenabíja, pokiaľ je jej teplota vyššia než 50 °C (122 °F).

1. Pripojte napájací kábel k nabíjačke akumulátora.
2. Pripojte nabíjačku akumulátora k uzemnenej sieťovej zásuvke. Indikátor LED nabíjania raz zabliká. (Obr. 36)

3. Pripojte akumulátor k nabíjačke akumulátorov. Rozsvieti sa indikátor LED nabíjania. Batériu nabíjajte maximálne 24 hodín. (Obr. 37)
4. Stlačte tlačidlo indikátora batérie, ak sa všetky indikátory LED batérie rozsvetia, akumulátor je úplne nabitý.
5. Vytiahnutím zástrčky odpojte nabíjačku batérií z napájacej zásuvky. Neťahajte za napájací kábel.
6. Vyberte batériu z nabíjačky batérií.

### Pripojenie batérie k výrobku



**VÝSTRAHA:** Vo výrobku používajte iba pôvodnú batériu Husqvarna.

1. Úplne nabite batériu.

2. Zatlačte batériu do držiaka na batériu na výrobku. Akumulátor sa zaistí na mieste, keď sa ozve cvaknutie. (Obr. 38)



**VAROVANIE:** Ak sa batéria do držiaka nedá ľahko zasunúť, nie je správne vložená. Mohlo by to viesť k poškodeniu výrobku.

## Zapnutie výrobku

1. Stlačte a podržte štartovacie/vypinacie tlačidlo, kým sa nerozsvieti zelený indikátor LED. (Obr. 39)
2. Stlačte poistku páčky vypínača a páčku vypínača. Rezné zariadenie sa začne otáčať.

## Nastavenie oblúkovej rukoväte a teleskopického hriadeľa

1. Povoľte rukoväť poistky a nastavte oblúkovú rukoväť do správnej polohy. (Obr. 40)
2. Zaisťte rukoväť poistky.
3. Povoľte páku na hriadeľ. (Obr. 41)
4. Nastavte potrebnú dĺžku hriadeľa. Uistite sa, či vidíte trojuholník na hriadeľ. (Obr. 42)
5. Zaisťte páku a utiahnite skrutku.

**Poznámka:** Nepripevňujte oblúkovú rukoväť na výstražné štítky na hriadeľ.

## Používanie funkcie SavE

Tento výrobok je vybavený funkciou na úsporu energie SavE.

**Poznámka:** Funkcia SavE neznižuje rezný výkon výrobku.

1. Stlačte tlačidlo SavE na klávesnici.
2. Skontrolujte, či sa rozsvieti zelený indikátor LED.
3. Funkciu vypnete opätovným stlačením tlačidla SavE. Zelený indikátor LED zhasne. (Obr. 43)

## Funkcia automatického vypnutia

Výrobok je vybavený funkciou vypnutia pre prípad, že sa nepoužíva. Zelený indikátor LED na signalizáciu spustenia/zastavenia sa vypne a výrobok sa po 180 sekundách zastaví.

## Prevádzka produktu

### Vyžínanie trávy

1. Vyžínaciu hlavu držte okamžite nad zemou a v uhle. Netlačte lanko vyžínača na trávnik. (Obr. 44)

2. Skráťte dĺžku lanka vyžínača na 10 – 12 cm.
3. Znížte otáčky motora, aby ste znížili riziko poškodenia rastlín.
4. Pri kosení trávnik v blízkosti predmetov používajte plyn na 80 %. (Obr. 45)

### Odstránenie trávy

1. Vyžínaciu hlavu udržiavajte nad zemou.
2. Nakloňte vyžínaciu hlavu.
3. Vyžínacím lankom obkoste predmety v pracovnej oblasti.



**VAROVANIE:** Koste trávu. Ak vyžínacie lanko naráža do iných predmetov, zvyšuje sa jeho opotrebovanie.

### Kosenie trávnik

1. Pri kosení trávnik sa uistite, že je lanko vyžínača rovnobežne so zemou. (Obr. 46)
2. Netlačte vyžínaciu hlavu k zemi. Mohlo by to viesť k poškodeniu výrobku.
3. Pri kosení trávnik posúvajte výrobok zo strany na stranu. Použite maximálne otáčky. (Obr. 47)

### Odpratávanie trávy

Prúd vzduchu z rotujúceho žacieho lanka je možné použiť na odpratávanie trávy z požadovanej plochy.

1. Podržte vyžínaciu hlavu a žacie lanko vodorovne nad zemou.
2. Použite plný plyn.
3. Pohybom vyžínacej hlavy zo strany do strany môžete trávu odfukovať.



**VÝSTRAHA:** Pri každom založení nového žacieho lanka očistite kryt vyžínacej hlavy, aby ste zamedzili narušeniu rovnováhy a vibrovaniu rukovätí. Taktiež skontrolujte ostatné časti vyžínacej hlavy a v prípade potreby ich očistite.

### Zastavenie výrobku

1. Uvoľníte páčku vypínača a poistku páčky vypínača.
2. Držte štartovacie/vypinacie tlačidlo stlačené dovtedy, kým zelený indikátor LED nezhasne.
3. Stlačte tlačidlá uvoľnenia na batérii a odstráňte batériu z výrobku. (Obr. 48)

### Výmena žacieho lanka

Pozrite si poslednú stranu tohto návodu na obsluhu.

## Údržba

### Úvod



**VÝSTRAHA:** Pred údržbou výrobku si prečítajte kapitolu o bezpečnosti a uistite sa, že rozumiete informáciám, ktoré sú v nej uvedené.

### Plán údržby



**VÝSTRAHA:** Pred vykonaním údržby vyberte batériu.

Nasleduje zoznam postupov údržby, ktoré na výrobku musíte vykonávať. Viac informácií nájdete v časti *Údržba na strane 371*.

Údržba	Denne	Týžd- enne	Mesačne
Očistite externé súčasti výrobku suchou handričkou. Nepoužívajte vodu.	X		
Skontrolujte funkčnosť a stav tlačidla štartovania a zastavenia.	X		
Skontrolujte, či páčka vypínača a zaistenie páčky vypínača fungujú správne z bezpečnostného hľadiska.	X		
Skontrolujte, či všetky ovládače fungujú a nie sú poškodené.	X		
Rukoväť udržiavajte suché, čisté a neznečistené olejom a mazivom.	X		
Zaistite, aby bol rezací nadstavec nepoškodený. Ak je rezací nadstavec poškodený, vymeňte ho.	X		
Skontrolujte, či ochranný kryt rezacieho nadstavca nie je poškodený. Ak je kryt rezacieho nadstavca poškodený, vymeňte ho.	X		
Skontrolujte, či sú matice a skrutky dotiahnuté.	X		
Skontrolujte, či uvoľňovacie tlačidlá na batérii fungujú správne a riadne zaistia batériu vo výrobku.	X		
Skontrolujte, či nabíjačka batérie nie je poškodená a funguje správne.	X		
Skontrolujte, či batéria nie je poškodená.	X		
Uistite sa, že je batéria nabitá.	X		
Skontrolujte, či nabíjačka batérie nie je poškodená.	X		
Skontrolujte všetky káble, spojky a konektory. Zaisťte, aby boli nepoškodené a čisté.		X	
Skontrolujte prepojenia medzi batériou a výrobkom. Skontrolujte aj prepojenie medzi batériou a nabíjačkou batérie.			X

### Kontrola batérie a nabíjačky batérií

1. Skontrolujte, či nie je batéria poškodená, napríklad prasknutá.
2. Skontrolujte, či nie je nabíjačka batérií poškodená, napríklad prasknutá.
3. Skontrolujte, či pripájací kábel nabíjačky batérie nie je poškodený a či na ňom nie sú praskliny.

### Čistenie výrobku, batérie a nabíjačky batérií

1. Výrobok po použití očistite suchou handričkou.
2. Očistite batériu a nabíjačku batérií čistou handričkou. Vodiace dráhy batérie udržiajte čisté.
3. Než vložíte batériu do nabíjačky alebo výrobku, skontrolujte, či sú koncovky na batérii a nabíjačke batérií čisté.

## Kontrola a výmena vyžínacej hlavy

1. Skontrolujte, či sa na vyžínacej hlave nenachádzajú známky poškodenia alebo praskliny.
2. Vytiahnite zostavu žlabu žacieho lanka.
3. Odstráňte vyžínaciu hlavu. (Obr. 49)
4. Vymeňte vyžínaciu hlavu.
5. Namontujte vyžínaciu hlavu. Pozrite si časť *Montáž vyžínacej hlavy na strane 368*.

## Riešenie problémov

### Klávesnica

Displej LED	Možné poruchy	Možné riešenia
Bliká indikátor LED, ktorý signalizuje poruchu.	Pretiaženie	Rezací nadstavec sa voľne nepohybuje. Uvoľnite rezací nadstavec.
	Teplotná odchýlka	Nechajte výrobok vychladnúť.
Výrobok sa nedá spustiť.	Zatlačte páčku vypínača a súčasne stlačte štartovacie tlačidlo.	Uvoľnite páčku vypínača a zastavte výrobok.
Indikátor LED, ktorý signalizuje poruchu, sa rozsvieti načerveno.	Na výrobku je potrebné vykonať servisný zásah	Obráťte sa na servisného predajcu.

### Batéria

LED displej	Možné poruchy	Možná činnosť
Bliká zelený indikátor LED.	Nízke napätie batérie.	Nabite batériu.
Bliká indikátor LED, ktorý signalizuje poruchu.	Teplotná odchýlka.	Batériu používajte v prostredí, v ktorom sa teplota pohybuje od -10°C (14°F) do 40°C (104°F).
	Príliš vysoké napätie.	Skontrolujte, či sieťové napätie zodpovedá napätiu uvedenému na výkone štítiku výrobku. Vyberte batériu z nabíjačky batérií.
Svieti indikátor LED, ktorý signalizuje poruchu.	V článkoch je príliš veľký rozdiel (1 V).	Obráťte sa na servisného predajcu.

### Nabíjačka batérie

Problém	Možné poruchy	Možné riešenie
Indikátor LED nabíjania svieti načerveno.	Trvalá chyba nabíjačky batérií.	Obráťte sa na predajcu.
Indikátor LED nabíjania bliká nazele- no.	Odchýlka teploty, batéria je príliš studená alebo príliš horúca na použitie alebo nabíjanie.	Nechajte batériu vychladnúť alebo zahriať. Keď má batéria správnu teplotu, môžete ju znova použiť na nabíjanie. Nabíjačku batérií používajte v rozmedzí teploty okolitého prostredia od 5 °C (41 °F) do 40 °C (104 °F).

Problém	Možné poruchy	Možné riešenie
Indikátor LED nabíjania bliká načerveno.	Chybná batéria.	Obráťte sa na predajcu.

## Preprava, skladovanie a likvidácia

### Preprava a uskladnenie

- Dodávané lítium-iónové batérie spĺňajú požiadavky právnych predpisov, ktoré sa týkajú nebezpečného tovaru.
- Dodržiavajte špeciálne požiadavky na balení a štítkoch pri obchodnej preprave. Táto požiadavka platí aj pre tretie strany a prepravcov.
- Pred odoslaním výrobku sa poraďte s osobou s osobitým vzdelaním v oblasti nebezpečných materiálov. Dodržiavajte všetky príslušné vnútroštátne právne predpisy.
- Odhalené kontakty zaistíte páskou pri vkladaní akumulátora do balenia. Batériu v balení pevne zabezpečte, aby sa nemohla posúvať.
- Pred skladovaním alebo prepravou batériu vyberte.
- Umiestnite batériu a nabíjačku batérií do suchého priestoru bez výskytu vlhkosti a mrazov.
- Neskladujte batériu na mieste, kde sa môže vyskytovať statická elektrina. Batériu nekladajte do kovovej skrinky.
- Batériu uložte na mieste, kde sa teplota pohybuje v intervale 5°C (41°F) až 25°C (77°F) a kde je chránená pred priamym slnečným svetlom.
- Nabíjačku batérií uložte na mieste, kde sa teplota pohybuje v intervale 5 °C (41 °F) až 45°C (113°F) a kde je chránená pred priamym slnečným svetlom.
- Nabíjačku batérií používajte iba vtedy, keď je teplota okolitého prostredia v rozsahu 5°C (41 °F) až 40°C (104°F).

- Pred dlhodobým skladovaním batériu nabite na 30 – 50 % kapacity.
- Nabíjačku batérií uchovajte na uzavretom a suchom mieste.
- Batéria skladujte mimo nabíjačky batérií. Nedovoľte deťom ani iným nepovolánym osobám, aby sa dotýkali zariadenia. Uchovávajte zariadenia na mieste, ktoré je možné uzamknúť.
- Pred dlhodobým uskladnením výrobok vyčistite a vykonajte kompletný servis.
- Pomocou prepravného krytu na výrobku zamedzte vzniku zranení alebo poškodenia produktu počas prepravy a uskladnenia.
- Pred prepravou výrobok bezpečne upevnite.

### Likvidácia batérie, nabíjačky batérií a výrobku

Symbols na výrobku alebo na obale výrobku označujú, že tento výrobok nepredstavuje komunálny odpad. Recyklujte ho v recyklačnej stanici určenej pre elektrické a elektronické zariadenia. Napomôže tým zamedziť vzniku poškodeniu životného prostredia a osôb.

Ďalšie informácie o recyklácii výrobku získate od miestnych úradov, služby na likvidáciu komunálneho odpadu alebo predajcu.

## Technické údaje

### Technické údaje

	<b>215iL</b>
<b>Motor</b>	
Typ motora	BLDC
Otáčky výstupného hriadeľa, ot./min	6800
Šírka rezu, mm	310
<b>Hmotnosť</b>	
Hmotnosť bez batérie, kg	2,9

	<b>215iL</b>
<b>Emisie hluku</b> <sup>67</sup>	
Nameraná hladina akustického výkonu, dB (A)	90,5
Zaručená úroveň hlučnosti L <sub>WA</sub> dB(A)	92
<b>Hladiny hluku</b> <sup>68</sup>	
Ekvivalentná hladina akustického tlaku pri uchu používateľa meraná podľa normy EN ISO 50636-2-91, dB (A)	74,9
<b>Úrovně vibrácií</b> <sup>69</sup>	
Hladiny vibrácií na rukovätiach merané podľa normy EN50636-2-91, m/s <sup>2</sup>	4,5 / 2,7
Vybavené vyžínacou hlavou (originálnou), predná/zadná.	

### Schválené batérie pre výrobok

Batéria	BLi10		BLi20		40-B70	40-B140
Typ	Lítium-iónová		Lítium-iónová		Lítium-iónová	Lítium-iónová
Kapacita batérie, Ah	Pozrite si výkonový štítok batérie		Pozrite si výkonový štítok batérie		Pozrite si výkonový štítok batérie	Pozrite si výkonový štítok batérie
Menovité napätie, V	36	36,5	36	36,5	36	36
Hmotnosť, kg (lb)	0,7	0,7	1,2	1,2	0,8	1,25

### Schválené nabíjačky batérií pre výrobok

Nabíjačka batérie	QC80	40-C80
Sieťové napätie, V	100 – 240	100 – 240
Frekvencia, Hz	50 – 60	50 – 60
Výkon, W	100	72
Výstupné napätie, V d.c./ Ampérov, A	36/2	43/1,6

<sup>67</sup> Hladina hluku meraná ako akustický tlak (L<sub>WA</sub>) v súlade s európskou smernicou 2000/14/ES. Rozdiel medzi zaručeným a nameraným akustickým výkonom spočíva v tom, že zaručený akustický výkon zahŕňa aj rozptyl výsledkov merania a rozdiely medzi jednotlivými výrobkami rovnakého modelu v súlade so smernicou 2000/14/ES.

<sup>68</sup> Uvedené údaje pre ekvivalentnú hladinu akustického tlaku majú typický štatistický rozptyl (štandardnú odchýlku) 2,5 dB (A).

<sup>69</sup> Uvádzané údaje pre ekvivalentný stupeň vibrácií majú typický štatistický rozptyl (štandardnú odchýlku) 1,5 m/s<sup>2</sup>.

---

## Príslušenstvo

---

### Schválené príslušenstvo

Schválené príslušenstvo	Typ	Kryt rezacieho nadstavca, č. dielu
Vyžínacia hlava	R25B (šnúra s Ø 2 mm)	529 96 69-01

# Vyhlásenie o zhode

## Vyhlásenie o zhode EÚ

My, spoločnosť **Husqvarna AB**, SE-561 82 Huskvarna, Švédsko, tel.: +46-36-146500, vyhlasujeme s plnou zodpovednosťou, že výrobok:

<b>Popis</b>	Akumulátorový vyžinač trávnik
<b>Značka</b>	Husqvarna
<b>Typ/model</b>	215iL
<b>Identifikácia</b>	Výrobné čísla od roku 2024 a novšie

plne spĺňa nasledujúce smernice a nariadenia EÚ:

<b>Smernice/Nariadenia</b>	<b>Popis</b>
2006/42/ES	„o strojových zariadeniach“
2014/30/EÚ	„o elektromagnetickej kompatibilite“
2000/14/ES	„týkajúca sa emisie hluku v prostredí pochádzajúceho zo zariadení používaných vo voľnom priestranstve“
2011/65/EÚ	„o obmedzení používania určitých nebezpečných látok v elektrických a elektronických zariadeniach“

a že sa pri ňom uplatňujú nasledujúce normy a technické špecifikácie: EN 60335-1:2012/A15:2021, EN 50636-2-91:2014, EN IEC 63000:2018, EN IEC 55014-1:2021; EN IEC 55014-2:2021.

Notifikovaný orgán: 0197 TÜV Rheinland LGA Products GmbH, Tillystraße 2, 90431 Nürnberg, Germany osvedčil zhodu so smernicou Rady 2000/14/ES, posudzovanie zhody: príloha VI.

Informácie týkajúce sa emisii hluku nájdete v časti *Technické údaje na strane 373*.

Huskvarna, 2024-02-01



Claes Losdal, manažér pre vývoj a výskum, Husqvarna AB

Zodpovedný za technickú dokumentáciu



## VSEBINA

Uvod.....	377	Odpravľanje težav.....	387
Varnost.....	378	Transport skladiščenje in odstranitev.....	388
Montaža.....	384	Tehnični podatki.....	389
Delovanie.....	384	Dodatki.....	390
Vzdrževanje.....	386	Izjava o skladnosti.....	391



## Uvod

### Opis izdelka

Husqvarna 215iL je baterijska kosa z elektromotorjem.

Stalno delamo na tem, da bi povečali varnost in učinkovitost med delovanjem. Če potrebujete več informacij, se obrnite na servisnega zastopnika.

nekovinskimi rezalnimi pripomočki. Izdelek uporabljajte samo za košnjo plevla, trave ali podobnega mehkejšega rastlina.

**Opomba:** Uporaba tega izdelka je lahko omejena z nacionalnimi predpisi.

### Namen uporabe

Izdelek se uporablja z nekovinskimi kosilnimi nitkami, nekovinskimi vrvicami ali primerljivimi gibkimi

### Pregled izdelka

(Sl. 1)

1. Kosilna glava
2. Ščitnik rezalnega priključka
3. Gred
4. Nastavitev gredi (teleskopske)
5. Okrogli ročaj
6. Tipkovnica
7. Opozorilni indikator za tipkovnico
8. Gumb za vklop/izklop
9. Gumb SavE
10. Sprožilca plina
11. Zaklep sprožilca plina
12. Indikator vklopa in opozorilni
13. Priključek
14. Polnilnik baterije 40-C80
15. Polnilnik baterije QC80
16. Napajalni kabel
17. Ščitnik za rastline
18. Opozorilni indikator za baterije
19. Stanje baterije
20. Indikatorski gumb stanja baterije
21. Gumbi za sprostitev baterij
22. Baterija
23. Kombiniran ključ
24. Navodila za uporabo

(Sl. 5) Izdelek ne sme biti izpostavljen dežju.

(Sl. 6) Emisije hrupa za oznako okolja so v skladu z EU (vključno z zakonodajo avstralske zvezne države New South Wales) ter direktivami in uredbami Združenega kraljestva. Podatke o emisijah hrupa najdete na oznaki stroja in v poglavju Tehnični podatki.

(Sl. 7) Poskrbite, da se mimoidoči ne približajo izdelku.

(Sl. 8) Pred vzdrževanjem odklopite baterijo.

(Sl. 9) Izdelek ali embalaža izdelka ne spadata med gospodinjske odpadke. Treba ga je reciklirati v zbirnem centru za reciklažo električne in elektronske opreme.

(Sl. 10) Izdelek je skladen z veljavnimi direktivami EU.

(Sl. 11) Izdelek je skladen z veljavnimi predpisi Združenega kraljestva.

(Sl. 12) Enosmerni tok.

### Simboli na izdelku

(Sl. 2) **OPOZORILO:** Ta izdelek je lahko nevaren in lahko povzroči hude poškodbe oziroma smrt uporabnika ali drugih. Bodite previdni in uporabljajte izdelek pravilno.

(Sl. 3) Pred začetkom uporabe izdelka natančno preberite navodila za uporabo in se prepričajte, da ste jih razumeli.

(Sl. 4) Uporabljajte zaščito za oči.

yyyywwxxxx

Na tipski ploščici ali laserskem natisu je navedena serijska številka. **yyyy** je proizvodno leto in **ww** je proizvodni teden.

## Simboli na bateriji in/ali polnilniku baterije

- (Sl. 16) Izdelek je treba reciklirati v zbirnem centru za reciklažo električne in elektronske opreme. (velja samo za Evropo)
- (Sl. 13) Pretvornik za varno odpoved.
- (Sl. 14) Polnilnik baterije hranite in uporabljajte samo v zaprtih prostorih.

(Sl. 15) Dvojna izolacija.

## Škoda izdelka

Za škodo na izdelku ne odgovarjamo, če:

- Izdelek ni pravilno popravljen.
- Izdelek je popravljen z deli, ki jih ni izdelal ali odobril proizvajalec.
- Na izdelku je nameščena dodatna oprema, ki je ni izdelal ali odobril proizvajalec.
- Izdelek ni bil popravljen v pooblaščenem servisnem centru ali pri pooblaščenem organu.

## Varnost

### Varnostne definicije

Opozorila, svarila in opombe opozarjajo na posebej pomembne dele priročnika.



**OPOZORILO:** Se uporabi, če obstaja nevarnost telesne poškodbe ali smrti uporabnika ali opazovalcev ob neupoštevanju navodil v tem priročniku.



**POZOR:** Se uporabi, če obstaja nevarnost poškodbe izdelka, drugih materialov ali okolice ob neupoštevanju navodil v tem priročniku.

**Opomba:** Se uporabi za podajanje podrobnejših informacij, potrebnih v dani situaciji.

### Splošna varnostna opozorila za električno orodje



**OPOZORILO:** Preberite vsa varnostna opozorila in navodila. Neupoštevanje opozoril in navodil lahko povzroči električni udar, požar in/ali težko telesno poškodbo.

**Opomba:** Shranite vsa opozorila in navodila za bodočo uporabo. Izraz »električno orodje« v opozorilih se nanaša na orodje z napajanjem prek kabla neposredno iz električnega omrežja ali akumulatorsko električno orodje (brez kabla).

### Pregled pred vžigom

- Obvezno odstranite baterijo in tako preprečite neželeni zagon izdelka. Pred vzdrževanjem izdelka obvezno odstranite baterijo.

- Pred začetkom uporabe in po kakršnem koli trku pregledajte izdelek in poiščite morebitne poškodbe ter jih po potrebi popravite.
- Pregledajte delovno območje. Odstranite vse trde dele, na primer kamenje, razbito steklo, žeblje, jeklene žice, vrvi ipd., ki bi jih rezilo lahko izvrglo ali pa se lahko navijejo okrog rezila ali ščitnika.
- Preverite, ali je motor umazan ali počen. S krtačko z motorja odstranite travo in listje. Po potrebi uporabljajte rokavice.
- Prepričajte se, da je kosilna glava pravilno nameščena na obrezovalnik.
- Preverite, ali je izdelek v brezhibnem delovnem položaju. Preverite ali so vsi vijaki in matice zatesnjeni.
- Preverite, ali sta kosilna glava in ščitnik obrezovalnika nepoškodovana in brez razpok. Menjajte kosilno glavo in ščitnik obrezovalnika, če sta bila izpostavljena udarcem ali če imata razpoke. Vedno uporabljajte ščitnik, priporočen za rezalni priključek, ki ga uporabljate. Glejte poglavje Tehnični podatki.
- Uporabnik izdelka mora poskrbeti, da v območju 15 metrov od delovnega mesta ni ljudi ali živali. Če sočasno v območju dela več uporabnikov, mora biti varnostna razdalja med njimi vsaj 15 metrov.
- Pred uporabo v celoti pregledajte izdelek. Oglejte si urnik vzdrževanja.
- Uporabo lahko urejajo državni ali lokalni predpisi. Upošteвайте veljavne predpise.

### Varnost delovnega področja

- **Poskrbite za čistočo in dobro osvetlitev delovnega področja.** Prenatrpani ali mračni prostori kar kličejo nesrečo.
- **Električnega orodja ne uporabljajte v eksplozivnem okolju, na primer v bližini vnetljivih tekočin, plinov ali prahu.** Električna orodja sprožajo iskre, ki lahko vžgejo prah ali hlape.
- **Ne dovolite, da bi bili med uporabo električnega orodja prisotni otroci ali opazovalci.** Odvracanje pozornosti lahko povzroči izgubo nadzora.

## Električna varnost

- **Vtiči električnega orodja se morajo ujemati z vtičnico. Vtiča na noben način ne spreminjajte. Z ozemljenim električnim orodjem ne uporabljajte adapterjev za vtičač.** Nepredelani vtiči in ustrezne vtičnice poskrbijo za zmanjšano nevarnost električnega udara.
- **Izogibajte se telesnega stika z ozemljenimi površinami, kot so cevi, radiatorji, štedilniki in hladilniki.** Če je vaše telo ozemljeno, se nevarnost električnega udara poveča.
- **Električnega orodja ne izpostavljajte dežju ali vlagi.** Če v električno orodje prodre voda, se poveča nevarnost električnega udara.
- **Ne ravnajte grobo s kablom. Nikoli ne uporabljajte kabla za prenašanje, vlečenje ali izklapljanje električnega orodja iz vtičnice. Kabel ne sme priti in stik z vročino toplote, oljem, ostrimi robovi ali premikajočimi deli.** Poškodovani ali zavozlani kabli povečujejo nevarnost električnega udara.
- **Če uporabljate električno orodje zunaj, uporabljajte kabelski podaljšek, ki je primeren za zunanjo uporabo.** Za zmanjšanje nevarnosti električnega udara uporabljajte kabel, primeren za zunanjo uporabo.
- **Če se ne morete izogniti upravljanju stroja v vlažnem okolju, uporabite zaščitno napravo na diferenčni tok (RCD).** Uporaba naprave RCD zmanjšuje nevarnost električnega udara.

## Osebnostna varnost

- **Med uporabo električnega orodja bodite pozorni, pazite na svoja dejanja in ravnajte razumno. Ne uporabljajte električnega orodja, ko ste utrujeni ali pod vplivom drog, alkohola ali zdravil.** Trenutek nepozornosti med uporabo obrezovalnika žive meje lahko povzroči težko osebno poškodbo.
- **Uporabljajte osebno zaščitno opremo. Vedno nosite zaščito za oči.** Zaščitna oprema, na primer prašna maska, čevlji z nedersečimi podplati, čelada ali zaščita za sluh, uporabljena v pravih okoliščinah, zmanjšuje nevarnost osebnih poškodb.
- **Izogibajte se neželenemu zagonu. Preden stroj priklopite na vir napajanja in/ali baterijo, ga vzamete v roke ali ga prenašate, se prepričajte, da je stikalo v položaju za izklop.** Prenašanje električnega orodja s prstom na stikalom ali priklop električnega orodja z vklopljenim stikalom lahko povzroči nesrečo.
- **Preden električno orodje vklopite, odstranite ključ za nastavitve ali izvijač.** Če ostane ključ ali izvijač pritrjen na vrteči se del električnega orodja, lahko pride do telesne poškodbe.
- **Rok ne stegujte predaleč. Vedno zanesljivo stopajte in pazite na ravnotežje.** To vam omogoča boljši nadzor nad električnim orodjem ob nepričakovanih dogodkih.
- **Primerno se oblecite. Ne nosite ohlapnih oblačil in nakita. Z lasmi in oblačili ne segajte v območje**

**gibljivih delov.** Ohlapne obleke, nakit ali dolgi lasje se lahko zapletejo v gibljive dele.

- **Če so naprave opremljene s priključkom za odvajanje in zbiranje prahu, mora biti ta zaseden in pravilno uporabljen.** Zbiranje prahu lahko zmanjša nevarnost zaradi vdihavanja tega.
- **Ne bodite samozadovoljni, ker ste zaradi pogoste uporabe navajeni orodja, in kljub vsemu upoštevajte varnostna načela orodja.** Brezbržna uporaba lahko v trenutku povzroči hudo telesno poškodbo.
- **Oddajanje vibracij med dejansko uporabo električnega orodja se lahko razlikuje od navedene skupne vrednosti, kar je odvisno od načina uporabe orodja.** Upravljalci se morajo zaščititi z varnostnimi ukrepi, ki temeljijo na oceni izpostavljenosti pri dejanskih pogojih uporabe (pri čemer se upoštevajo vsi delovnega cikla, npr. poleg časa, ko je orodje sproženo, tudi čas, ko je orodje izklopljeno, in čas, ko deluje v prostem teku).

## Uporaba in nega električnega orodja

- **Ne preobremenite električnega orodja. Uporabite pravilno električno orodje za vrsto uporabe.** Pravilno električno orodje bo delo opravilo bolje in varneje, če deluje pri hitrosti, za katero je bil zasnovano.
- **Električnega orodja ne uporabljajte, če stikalo za vklop/izklop ne deluje.** Orodje, ki ga ni mogoče upravljati s stikalom, je nevarno in ga je potrebno popraviti.
- **Pred izvajanjem nastavitve, menjavo priključkov ali shranjevanjem električnega orodja izvezite vtič iz omrežne vtičnice in/ali odstranite baterijo iz električnega orodja, če je to mogoče.** Taki preventivni ukrepi pomagajo zmanjšati nevarnost neželenega zagona električnega orodja.
- **Električno orodje, ki ga ne potrebujete, shranite izven dosega otrok in ne dovolite, da bi ga uporabljale osebe, ki električnega orodja ne poznajo ali ne poznajo teh navodil.** Električna orodja so v rokah neukih oseb nevarna.
- **Vzdržujte električna orodja in dodatno opremo. Preverite poravnavo ali zatikanje pomičnih delov. Preverite, da noben del ni poškodovan in vsa druga stanja, ki bi lahko vplivala na delovanje električnega orodja. Če je električno orodje poškodovano, ga pred uporabo odnesite v popravilo.** Veliko nesreč povzročijo slabo vzdrževana električna orodja.
- **Rezila naj bodo vedno ostrina in čista.** Pravilno vzdrževana rezila z ostrimi rezalnimi robovi se manj zatikajo in jih je lažje kontrolirati.
- **Električna orodja, dodatke, rezalne ploščice ipd. uporabljajte skladno s temi navodili ter upoštevajte delovne pogoje in delo, ki ga boste opravljali.** Uporaba električnega orodja za opravila, za katera ta naprava ni namenjena, je lahko nevarna.
- **Ročaji in prijemalne površine naj bodo suhi, čisti in brez ostankov olja in masti.** Če so ročaji in prijemalne površine spolzki, ne omogočajo varne uporabe in upravljanja z orodjem v nepričakovanih razmerah.

## Uporaba in nega baterije

- **Baterijo polnite le s polnilnikom, ki ga določi proizvajalec.** Polnilnik, ki je primeren za eno vrsto baterij, lahko poveča nevarnost požara pri drugih baterijah.
- **Izdelke uporabljajte le s točno določenimi baterijami.** Če uporabite druge baterije, se lahko poveča nevarnost poškodb in požara.
- **Ko baterije ne uporabljate, ne sme priti v stik z drugimi kovinskimi predmeti, kot so sponke za papir, kovanci, ključi, žebliji, vijaki ali drugi majhni kovinski predmeti, ki lahko vzpostavijo povezavo med dvema poloma.** Kratek stik med poloma baterije lahko povzroči opekline ali požar.
- **Ob nepravilni in grobi uporabi lahko iz baterije izteka tekočina; izogibajte se stiku s tekočino. Če se tekočine nehote dotaknete, sperite roke z vodo. Če pride tekočina v stik z očmi, poiščite zdravniško pomoč.** Tekočina, ki izteka iz baterije, lahko povzroči draženje ali opekline.
- **Ne uporabljajte poškodovanega ali spremenjenega baterijskega paketa ali orodja.** Poškodovane ali predelane baterije se lahko obnašajo nepredvidljivo in lahko posledično zagorijo, eksplozirajo ali predstavljajo nevarnost poškodb.
- **Baterijskega paketa ali orodja ne izpostavljajte ognju ali previsokim temperaturam.** Izpostavljenost ognju ali temperaturam nad 130 °C lahko povzroči eksplozijo.
- **Upošteвайте vsa navodila za polnjenje in ne polnite baterijskega paketa ali orodja pri temperaturah zunaj temperaturnega območja, navedenega v navodilih.** Neustrezna zamenjava ali temperature zunaj dovoljenega območja lahko povzročijo poškodbe baterije in povečajo nevarnost požara.

## Servis

- **Popravila električnega orodja sme izvajati usposobljen serviser in pri tem uporabljati originalne nadomestne dele.** S tem zagotovite ohranitev kakovosti in varnosti električnega orodja.
- **Ne servisirajte poškodovanih baterijskih enot.** Baterijske pakete lahko servisirajo samo proizvajalec in pooblaščen servisni ponudniki.

## Vedno uporabljajte zdravo pamet

Vseh možnih situacij ni mogoče predvideti. Pri delu s strojem bodite vedno previdni in prisebni. Izogibajte se situacijam, ki se vam zdijo prezahtevne. Če po branju teh navodil še vedno niste prepričani o delovnih postopkih, se pred nadaljevanjem posvetujte s strokovnjakom.



**OPOZORILO:** Nikoli ne dovolite otrokom, da uporabljajo napravo ali da so v njeni bližini. Ker je zagon naprave zelo enostaven, jo lahko zaženejo tudi otroci, če jih ne nadzorujete. To lahko pomeni tveganje resne osebne poškodbe. Zaradi

tega izklopite baterijo, ko naprave ne morete natančno nadzorovati.

## Splošna varnostna navodila



**OPOZORILO:** Pred uporabo izdelka preberite navodila v povezavi z opozorili v nadaljevanju.

- Odstranite baterijo in tako preprečite neželeni zagon izdelka.
- Izdelek je nevarno orodje, če niste previdni ali če ga ne uporabljate pravilno. Ta izdelek lahko povzroči hude poškodbe oziroma smrt upravljavca ali drugih.
- Izdelka ne uporabljajte, če so se spremenile njegove originalne specifikacije. Ne spreminjajte delov izdelka brez vnaprejšnje odobritve proizvajalca izdelka. Uporabljajte samo dele, ki jih je odobril proizvajalec. Zaradi neustreznega vzdrževanja lahko pride do poškodb ali smrti.
- Pred uporabo preverite izdelek. Glejte, *Pregled pred vžigom na strani 378* in *Pred uporabo izdelka na strani 384*. Ne uporabljajte izdelkov, ki so poškodovani ali ne delujejo pravilno. Izvajajte varnostne preglede in vzdrževalna dela ter upoštevajte servisna navodila, opisana v tem priročniku.
- Otroci se z izdelkom ne smejo igrati. Izdelka in/ali akumulatorja ne smejo uporabljati, vzdrževali ali popravljati otroci ali druge osebe, ki za to niso usposobljene. Starost uporabnika je morda določena z lokalnimi zakoni.
- Izdelek skladiščite v zaklenjenem prostoru, tako da otroci ali osebe, ki niso primerne za rokovanje z izdelkom, do izdelka ne morejo dostopati.
- Izdelek shranjujte izven dosegov otrok.
- Nikoli ne smete spreminjati prvotne izvedbe izdelka brez predhodnega dovoljenja proizvajalca. Uporabljajte samo originalno dodatno opremo. Spremembe brez pooblastila in/ali neoriginalni deli lahko povzročijo resne poškodbe ali smrt uporabnika in drugih oseb.

**Opomba:** Uporabo lahko ureja državna ali lokalna zakonodaja. Upoštevajte veljavne predpise.

## Varnostna navodila za uporabo



**OPOZORILO:** Pred uporabo izdelka preberite navodila v povezavi z opozorili v nadaljevanju.

- **Orodja ne uporabljajte v slabem vremenu, še posebej, ko obstaja nevarnost bliskanja.** S tem zmanjšate nevarnost udara strele.
- **Prepričajte se, da na območju, na katerem nameravate uporabiti stroj, ni prostoživečih živali.**

Stroj lahko med delovanjem poškoduje prostoživeče živali.

- **Skrbno preglejte območje, na katerem boste uporabljali stroj, ter odstranite vse kamne, veje, kable, kosti in druge predmete.** Zaradi izmeta predmetov lahko pride do telesnih poškodb.
- **Pred uporabo stroja se vedno vizualno pripravite, da rezalnik in sklop rezalnika nista poškodovana.** Poškodovani deli povečajo nevarnost poškodb.
- **Ščitniki naj ostanejo na mestu. Ščitniki morajo biti v delujočem stanju in pravilno nameščeni.** Razrahljan, poškodovan ali nedelujoč ščitnik lahko povzroči telesne poškodbe.
- **Dovodi hladilnega zraka morajo biti prosti.** Zamašeni dovodi za zrak in umazanija lahko povzročijo pregrevanje ali nevarnost požara.
- **Uporabljajte zaščito za oči in sluh.** Z ustrezno zaščitno opremo zmanjšate možnost telesnih poškodb.
- **Med uporabo stroja vedno nosite nedrsečo zaščitno obutev. Stroja ne uporabljajte bosi ali v sandalih.** S tem zmanjšate možnost poškodb stopal zaradi stika s premikajočim se rezalnikom.
- **Med uporabo stroja vedno nosite oblačila, kot so hlače, ki pokrivajo noge uporabnika.** Stik s premikajočim se rezalnikom ali nitko lahko povzroči poškodbe.
- **Poskrbite, da se mimoidoči ne približajo stroju med njegovo uporabo.** Zaradi izmeta predmetov lahko pride do hudih telesnih poškodb.
- **Stroja ne uporabljajte nad višino pasu.** Tako preprečite neželen stik z rezalnikom in omogočite boljši nadzor nad strojem v nepričakovanih okoliščinah.
- **Pri delu s strojem na mokri travi bodite previdni. Hodite, nikoli ne tecite.** S tem zmanjšate tveganje zdrsa in padca, ki lahko povzroči telesne poškodbe.
- **Stroja ne uporabljajte na strminah z izjemno velikim naklonom.** S tem zmanjšate tveganje izgube nadzora, zdrsa in padca, ki lahko povzroči telesne poškodbe.
- **Pri delu na strminah se vedno pripravite, da stojite na stabilni podlagi, vedno delajte v vodoravni smeri, nikoli navzgor ali navzdol, in bodite izjemno previdni pri spreminjanju smeri.** S tem zmanjšate tveganje izgube nadzora, zdrsa in padca, ki lahko povzroči telesne poškodbe.
- **Pazite, da se napajalni in drugi kabli ne približajo območju košnje.** Napajalni in drugi kabli so lahko skriti v živi meji ali grmovju in jih lahko nenamerno prereže ali poškoduje nitka ali rezalnik.
- **Delov telesa ne približujte premikajočemu se rezalniku ali nitki. Ne odstranjujte materiala s stroja, dokler ni odklopljen od vira napajanja.** Premikajoč se rezalnik ali nitka lahko povzroči hude telesne poškodbe.
- **Pri prenašanju stroja mora biti stroj izklopljen in stran od telesa.** Pravilno ravnanje s strojem zmanjša

verjetnost nenamernega stika s premikajočim se rezalnikom ali nitko.

- **Uporabljajte samo nadomestne rezalne glave in rezalnike ali nitke, ki jih določijo proizvajalec. Rezalnikov ali nitk ne zamenjajte s kovinskimi žicami ali rezili.** Nepravilni nadomestni deli lahko povzročijo izgubo nadzora, zlom in telesne poškodbe.

## Osebna zaščitna oprema



**OPOZORILO:** Pred uporabo izdelka preberite navodila v povezavi z opozorili v nadaljevanju.

- Pri uporabi izdelka vedno uporabljajte odobreno osebno zaščitno opremo. Osebna zaščitna oprema ne more popolnoma preprečiti poškodb, vendar v primeru nesreče omili posledice. Prodajalec naj vam pomaga izbrati primerno opremo.
- Uporabljajte odobreno zaščito za sluh.

(Sl. 17)

- Uporabljajte odobreno zaščito oči. Tudi če uporabljate vizir, morate vedno uporabljati tudi homologirana zaščitna očala. Homologirana zaščitna očala morajo biti skladna s standardom ANSI Z87.1 za ZDA ali s standardom EN 166 za države EU.

(Sl. 18)

- Po potrebi uporabite rokavice, npr. kadar pritrjujete, pregledujete ali čistite rezalno opremo.

(Sl. 19)

- Uporabljajte zaščitne škornje z ojačano konico in nedrsečim podplatom.

(Sl. 20)

- Uporabljajte oblačila iz trpežnih materialov. Vedno uporabljajte trpežne dolge hlače in dolge rokave. Ne uporabljajte ohlapnih oblačil, ki se lahko zataknejo za vevice ali veje. Ne nosite nakita, kratkih hlač ali sandalov. Ne hodite bosi. Lase si varno spnite nad rameni.
- Opremo za prvo pomoč hranite v bližini.

(Sl. 21)

## Varnostne naprave na izdelku



**OPOZORILO:** Pred uporabo izdelka preberite navodila v povezavi z opozorili v nadaljevanju.

V tem poglavju so opisane varnostne funkcije izdelka, njihov namen ter kako je stroj treba pregledovati in vzdrževati, da bo deloval pravilno. Glejte navodila v poglavju *Uvod na strani 377* za mesta delov na izdelku.

Življenjska doba izdelka se lahko zaradi nepravilnega vzdrževanja oziroma zaradi nestrokovnih popravil ali servisiranja skrajša, poveča pa se tudi nevarnost nesreč. Če potrebujete več informacij, se obrnite na najbližjega pooblaščenega servisnega trgovca.



**OPOZORILO:** Nikoli ne uporabljajte izdelka s poškodovanimi varnostnimi deli. Varnostno opremo stroja je treba pregledovati in vzdrževati v skladu z navodili, ki so podana v tem poglavju. Če izdelek ob pregledu ne izpolnjuje vseh opisanih pogojev, se nemudoma obrnite na pooblaščenega serviserja za popravilo.



**POZOR:** Vsa servisna dela in popravila na stroju zahtevajo posebno usposabljanje. To še posebej velja za varnostno opremo stroja. Če pri spodaj opisanem pregledu ugotovite, da kateri koli del stroja ne deluje tako, kot je opisano spodaj, se nemudoma obrnite na pooblaščenega servisno delavnico. Pri nakupu vseh naših izdelkov vam jamčimo dostop do strokovnih popravil in servisa. Če stroja niste kupili v kateri od naših pooblaščenih servisnih prodajal, vprašajte prodajalca, kje je najbližja pooblaščenega servisna delavnica.

#### Preverjanje tipkovnice

1. Pritisnite in pridržite gumb za vklop/izklop (A). (Sl. 22)
  - a) Izdelek je vklopljen, ko lučka LED (B) sveti.
  - b) Izdelek je izklopljen, ko lučka LED (B) ne sveti.
2. Če sveti ali utripa opozorilni indikator (C), glejte *Tipkovnica na strani 387*.

#### Preverjanje delovanja zaklepa ročice plina

Blokada sprožilca plina preprečuje neželjeno sprožitev. Ko pritisnete blokado sprožilca plina (A), se sprožilec plina (B) sprosti. Če ročaj sprostite, se sprožilec plina in zaklep sprožilca plina vrmeta v izhodiščna položaja. (Sl. 23)

1. Ko je blokada sprožilca plina v izhodiščnem položaju, se prepričajte, da je sprožilec plina res blokiran. (Sl. 24)
2. Pritisnite ročico plina in se prepričajte, da se vrne nazaj v začetni položaj, ko jo sprostite. (Sl. 25)
3. Sprožilnik plina in zaklep sprožilnika plina se morata prosto premikati in povratna vzmet mora delovati pravilno. (Sl. 26)
4. Zaženite izdelek. Glejte *Zagon izdelka na strani 385*.
5. Uporabite polno moč.
6. Sprostite sprožilec plina in se prepričajte, da se rezalna dodatna oprema popolnoma ustavi.

#### Preverjanje ščitnika rezalnega priključka



**OPOZORILO:** Rezalnega priključka ne uporabljajte brez odobrenega in pravilno nameščenega ščitnika rezalnega priključka.

Vedno uporabljajte priporočen ščitnik za nameščen rezalni priključek; glejte *Tehnični podatki na strani 389*. Če namestite pokvarjen ali napačen ščitnik rezalnega priključka, lahko pride do resnih telesnih poškodb.

Ščitnik rezalnega priključka preprečuje izmet predmetov v smer uporabnika. Preprečuje tudi poškodbe, do katerih bi prišlo, če bi se dotaknili rezalnega priključka.

1. Izklopite motor.
2. Vizualno preverite, da ni prisotnih poškodb, npr. razpok.
3. Če je ščitnik rezalnega priključka poškodovan, ga zamenjajte.

#### Rezalna oprema

Izberite ustrezno rezalno opremo in jo vzdržujte, da:

- omogočite najboljše rezanje,
- podaljšate življenjsko dobo rezalne opreme.



**OPOZORILO:** Uporabljajte samo priporočene rezalne priključke s ščitniki! Glejte *Tehnični podatki na strani 389*. Za preverjanje pravilnega načina navijanja rezalne nitke in pravilnega premera kosilne nitke si oglejte navodila za rezalni priključek.



**OPOZORILO:** Poškodovan rezalni priključek povečuje nevarnost nesreč pri delu.



**OPOZORILO:** Izklopite motor pred delom na rezalnem priključku. Vrta se namreč tudi po tem, ko izpustite ročico za plin. Pred delom na rezalnem priključku se prepričajte, da se je ta popolnoma zaustavil, nato pa odklopite pokrov svečke.

#### Kosilna glava



**OPOZORILO:** Kosilna nitka mora biti vedno trdno in enakomerno navita okrog kolota in tako preverite škodljive tresljaje.

(Sl. 27)

- Uporabljajte samo priporočene kosilne glave in nitke.
- Uporabljajte samo priporočene rezalne priključke.
- Manjši stroji potrebujejo manjše kosilne glave in obratno.
- Pomembna je dolžina kosilne nitke. Daljša kosilna nitka zahteva večjo moč motorja kot krajša nitka z enakim premerom.

- Prepričajte se, da je rezalnik na ščitniku trimerja brezhiben. Uporablja se za rezanje rezalne nitke na pravilno dolžino.
- Če želite podaljšati življenjsko dobo kosilne nitke, jo lahko za nekaj dni namočite v vodo.

## Varna uporaba baterije



**OPOZORILO:** Pred uporabo izdelka preberite navodila v povezavi z opozorili v nadaljevanju.

- Uporabite samo serijo BLi in serijo baterij 40-B. Za več informacij si oglejte *Tehnični podatki na strani 389*. Baterija je šifrirana s programsko opremo.
  - Serijo baterije 40-B, ki jih je mogoče polniti, in serijo BLi uporabljajte kot vir napajanja samo za ustrezne izdelke Husqvarna. Za preprečevanje poškodb baterije ne uporabljajte za napajanje drugih naprav.
  - Nevarnost električnega udara. Poli baterije ne smejo priti v stik s ključi, kovanci, vijaki ali drugimi kovinskimi deli. To lahko povzroči kratek stik baterije.
  - Ne uporabljajte baterij za enkratno uporabo.
  - V zračne reže baterije ne vstavljajte predmetov.
  - Baterije ne izpostavljajte neposredni sončni svetlobi, vročini ali odprtemu ognju. Baterija lahko povzroči opekline in/ali kemične opekline.
  - Baterije ne izpostavljajte dežju in vlagi.
  - Baterije ne izpostavljajte mikrovalovom in visokemu tlaku.
  - Baterije ne poskušajte razstaviti ali odpreti.
  - Če baterija pušča, pazite, da tekočina ne pride v stik s telesom ali očmi. Če ste se tekočine dotaknili, območje očistite z obilo vode in mila in poiščite zdravniško pomoč. Če pride tekočina v oči, ne drgnite oči, temveč jih spirajte z vodo vsaj 15 minut in poiščite zdravniško pomoč.
  - Baterijo uporabljajte v okolju s temperaturami med -10 °C (14 °F) in 40 °C (114 °F).
  - Baterije ali polnilnika nikoli ne čistite z vodo. Glejte, *Čiščenje izdelka, baterije in polnilnika baterije na strani 387*.
  - Ne uporabljajte poškodovane ali pokvarjene baterije.
  - Baterije med skladiščenjem ne smejo priti v stik s kovinskimi predmeti, na primer žebliji, vijaki ali nakitom.
  - Baterijo hranite zunaj dosega otrok.
- Ne uporabljajte polnilnikov, ki niso bili priloženi izdelku. Za polnjenje serije nadomestnih baterij serije BLi in 40-B uporabljajte samo polnilnike QC80 in 40-C80.
  - Polnilnika baterije ne poskušajte razstaviti.
  - Ne uporabljajte poškodovanega ali pokvarjenega polnilnika baterije.
  - Baterijskega polnilnika ne dvigujte za napajalni kabel. Polnilnik baterije odklopite iz stenske vtičnice tako, da povlečete vtič. Nikoli ne vlecite za napajalni kabel.
  - Pazite, da kabli in kabelski podaljški ne pridejo v stik z vodo, oljem in ostrimi robovi. Kabel ne sme biti zataknen med stavbno pohištvo, na primer vrata ali za ograje, ali podobne predmete.
  - Baterijskega polnilnika ne uporabljajte v bližini gorljivih materialov ali materialov, ki povzročajo korozijo. Pazite, da polnilnik baterije ni pokrit. V primeru dima ali požara izvlecite vtič polnilnika baterije.
  - Baterijo polnite le v zaprtih prostorih z dobrim prezračevanjem in zaščito pred neposrednim soncem. Baterije ne polnite na prostem. Baterijske enote ne polnite v stiku z vodo ali vlago.
  - Polnilnik baterije uporabljajte samo v okolju s temperaturami med 5 °C (41 °F) in 40 °C (104 °F). Polnilnik uporabljajte v dobro prezračenem, suhem in brezprašnem okolju.
  - V hladilne reže polnilnika baterije ne vstavljajte predmetov.
  - Poli polnilnika baterije se ne smejo dotikati kovinskih predmetov, ker lahko to povzroči kratki stik.
  - Uporabljajte nepoškodovane in odobrene omrežne vtičnice. Prepričajte se, da kabel polnilnika baterije ni poškodovan. V primeru uporabe podaljškov se prepričajte, da ti niso poškodovani.
  - V baterijskem polnilniku ne polnite baterij za enkratno uporabo.

## Varnostna navodila za vzdrževanje



**OPOZORILO:** Pred vzdrževanjem izdelka preberite naslednja opozorilna navodila.

- Pred vzdrževanjem, drugimi pregledi ali sestavljanjem izdelka odstranite baterijo.
- Uporabnik sme sam izvajati le tista vzdrževalna in servisna dela, ki so navedena v teh navodilih za uporabo. Za obsežnejša vzdrževalna in servisna dela se obrnite na servisnega zastopnika.
- Baterije ali polnilnika nikoli ne čistite z vodo. Močno čistilo lahko poškoduje plastiko.
- Če ne vzdržujete izdelka, skrajšate njegovo življenjsko dobo in povečate nevarnost nesreč.
- Za servisiranje in popravila izdelka, zlasti za varnostne naprave na izdelku, je potrebno posebno usposabljanje. Če po izvedenem vzdrževanju niso vsa preverjanja uspešno opravljena, se obrnite na

## Varna uporaba polnilnika baterije



**OPOZORILO:** Pred uporabo izdelka preberite navodila v povezavi z opozorili v nadaljevanju.

- Nevarnost električnega udara ali kratkega stika, če ne upoštevate varnostnih navodil.

servisnega zastopnika. Zagotavljamo vam, da so za vaš izdelek na voljo strokovna popravila in servisne storitve.

- Uporabljajte samo originalne nadomestne dele.

## Montaža

### Uvod



**OPOZORILO:** Preden začnete sestavljati izdelek, morate prebrati in razumeti poglavje o varnosti.

### Namestitev ščitnika trimerja

1. Ščitnik trimerja postavite ob ohišje motorja. (Sl. 28).
2. Skozi ohišje motorja in ščitnik trimerja vstavite vijak. (Sl. 29)
3. Zategnite vijak.

### Namestitev kosilne glave

1. Obračajte pogonsko gred, dokler se odprtina v pogonskem disku ne poravnava z odprtino v ohišju menjalnika.
2. Vstavite blokirni zatič v odprtino, da zaklenete gred.
3. Kosilno glavo obrnite v nasprotni smeri urinega kazalca. (Sl. 30)

### Namestitev okroglega ročaja

1. Vstavite vijak v okrogli ročaj. (Sl. 31)
2. Okrogli ročaj namestite na nastavek na gredi.

3. Zategnite vijake.
4. Okrogli ročaj premaknite v pravi položaj. Glejte razdelek *Namestitev okroglega ročaja in teleskopske gredi na strani 385.*

### Namestitev ščitnika za rastline

1. Ščitnik za rastline vstavite v odprtine na ohišju motorja. (Sl. 32)
2. Pazite, da se bo lahko ščitnik za rastline prosto premikal naprej in nazaj. (Sl. 33)

### Namestitev polnilnika akumulatorskih baterij (40-C80) na steno



**POZOR:** Pri namestitvi baterijskega polnilnika na steno ne uporabljajte električnih vijačnikov. Električni vijačniki lahko poškodujejo baterijski polnilnik.

1. Z 2 vijakoma (B) na steno namestite baterijski polnilnik. Po potrebi uporabite stensko vtičnico (A). (Sl. 34)
2. Namestite 2 čepka za luknje vijakov (C).
3. Napajalni kabel polnilnika priključite v primerno glavno omrežno vtičnico.

## Delovanje

### Uvod



**OPOZORILO:** Preden začnete uporabljati izdelek, morate prebrati in razumeti poglavje o varnosti.

### Pred uporabo izdelka

- Preglejte delovno območje, da se seznanite z vrsto terena. Preverite naklon terena in se seznanite z morebitnimi ovirami, na primer kamenjem, vejami in jarki.
- Opravite splošni pregled izdelka.
- Opravite varnostne preglede, vzdrževanje in servisiranje, ki so navedeni v tem priročniku.
- Preverite, ali je motor umazan ali ima razpoke. S krtačo z motorja odstranite travo in listje. Po potrebi uporabite rokavice.
- Preverite, ali sta kosilna glava in ščitnik rezalnega priključka poškodovana ali razpokana. Če sta kosilna glava in ščitnik rezalnega priključka udarjena ali razpokana, ju zamenjajte.

- Prepričajte se, da so vse matice in vsi vijaki dobro priviti.
- Pred začetkom uporabe izdelka se prepričajte, da so vsi pokrovi, ščitniki, ročaji in rezalna oprema pravilno nameščeni in da niso poškodovani.

### Baterija



**OPOZORILO:** Preden začnete uporabljati baterijo, morate prebrati in razumeti poglavje o varnosti. Preberite in razumite tudi navodila za uporabo, ki so priložena bateriji in polnilniku.

Baterijo in polnilnik baterije shranjujte v prostoru z ustrežno temperaturo.

	Temperatura okolice
Delovanje baterije	5–40 °C/41–104 °F
Polnjenje baterije	5–40 °C/41–104 °F



## Stanje baterije

(Sl. 35)

Na zaslonu je prikazana napolnjenost baterije in podatki o morebitnih težavah z baterijo.

Indikator LED	Stanje baterije (napolnjenost)	
	BLi10, BLi20	40-B70, 40-B140
Svetijo 4 indikatorji LED	Ni navedeno	Baterija je napolnjena med 76 in 100 %.
Svetijo 3 indikatorji LED	Baterija je napolnjena med 76 in 100 %.	Baterija je napolnjena med 51 in 75 %.
Svetijo 2 indikatorji LED	Baterija je napolnjena med 51 in 75 %.	Baterija je napolnjena med 26 in 50 %.
Sveti 1 indikator LED	Baterija je napolnjena med 26 in 50 %.	Baterija je napolnjena med 6 in 25 %.
1 indikator LED utripa	Baterija je napolnjena med 0 in 25 %.	Baterija je napolnjena med 0 in 5 %.

## Polnjenje baterije

Baterijo pred prvo uporabo napolnite. Nova baterija je napolnjena samo 30-odstotno.



**POZOR:** Baterijski polnilnik priklonite na vtičnico z napetostjo in frekvenco, ki sta navedeni na tipski ploščici.

Če temperatura baterije presega 50 °C/122 °F, se baterija ne bo polnila.

1. Napajalni kabel priključite na baterijski polnilnik.
2. Priključite baterijski polnilnik v ozemljeno vtičnico. Indikator LED za polnjenje enkrat utripne. (Sl. 36)
3. Baterijo priključite na baterijski polnilnik. Zasveti indikator polnjenja. Baterijo polnite največ 24 ur. (Sl. 37)
4. Pritisnite gumb stanja baterije. Baterija je popolnoma napolnjena, če zasvetijo vsi indikatorji.
5. Izvlecite napajalni priključek, da odklopite baterijski polnilnik iz električne vtičnice. Nikoli ne vlecite za napajalni kabel.
6. Odstranite baterijo iz polnilnika.

## Vstavev baterije v izdelek



**OPOZORILO:** Izdelek uporabljajte samo z originalno baterijo Husqvarna.

1. Baterijo napolnite do konca.
2. Potisnite baterijo v držalo baterije v izdelku. Baterija se zaskoči, ko slišite klik. (Sl. 38)



**POZOR:** Če baterije ni mogoče preprosto potisniti v držalo baterije, pomeni, da baterija ni pravilno nameščena. Izdelek se lahko tako poškoduje.

## Zagon izdelka

1. Pritisnite in pridržite gumb za vklop/izklop, dokler ne zasveti zelena lučka LED. (Sl. 39)
2. Pritisnite blokado sprožilca plina in sprožilec plina. Rezalna oprema se začne vrteti.

## Namestitev okroglega ročaja in teleskopske gredi

1. Sprostite zaporni ročaj in nastavite okrogli ročaj na pravi položaj. (Sl. 40)
2. Zaprite zaklepno ročico.
3. Popustite ročico na gredi. (Sl. 41)
4. Nastavite primerno dolžino na gredi. Prepričajte se, da na gredi vidite trikotnik. (Sl. 42)
5. Zaprite ročico in privijte vijak.

**Opomba:** Okroglega ročaja ne namestite na opozorilne nalepke na gredi.

## Uporaba funkcije SavE

Ta izdelek ima funkcijo varčevanja z energijo, SavE.

**Opomba:** Funkcija SavE ne zmanjša zmogljivosti rezanja izdelka.

1. Na tipkovnici pritisnite gumb SavE.

2. Prepričajte se, da sveti zeleni indikator LED.
3. Znova pritisnite gumb SavE za izklop funkcije. Zelen indikator LED preneha svetiti. (Sl. 43)

## Funkcija samodejnega izklopa

Izdelek ima funkcijo samodejnega izklopa, ki izdelek zaustavi, če se ta ne uporablja. Zelena lučk LED, ki prikazuje stanje vklopa/izklopa, preneha svetiti in izdelek se po 180 sekundah izklopi.

## Uporaba izdelka

### Obrezovanje trave

1. Kosilno glavo držite tik nad tlemi pod kotom. Kosilne nitke ne potiskajte v travo. (Sl. 44)
2. Skrajšajte kosilno nitko za 10–12 cm/4–4,75 in.
3. Znižajte št. vrt. motorja, da ne poškodujete rastlin.
4. Ko obrezujete travo v bližini predmetov, uporabljajte 80 % plina. (Sl. 45)

### Odstranjevanje trave

1. Kosilna glava mora biti vedno nad tlemi.
2. Nagnite kosilno glavo.
3. S koncem kosilne nitke pokosite okoli predmetov v delovnem območju.



**POZOR:** Pokosite travo. Zaradi stika kosilne nitke s predmeti se poveča njena obraba.

### Košenje trave

1. Pri košnji trave naj bo kosilna nitka vedno vzporedna s tlemi. (Sl. 46)

2. Kosilne glave ne potiskajte ob tla. Izdelek se lahko tako poškoduje.
3. Pri košnji izdelek premikajte iz ene strani na drugo. Uporabite najvišje število vrtljajev. (Sl. 47)

## Pometanje trave

Zračni tok iz vrteče se kosilne nitke je mogoče uporabiti za odstranjevanje trave z določenega območja.

1. Kosilno glavo in njeno nitko držite vzporedno s tlemi, in sicer nad tlemi.
2. Dodajte polni plin.
3. Kosilno glavo premikajte od ene strani na drugo in tako pometite travo.



**OPOZORILO:** Očistite pokrov kosilne glave vsakič, ko nameščate novo kosilno nitko, in tako preprečite neravnovesje in vibracije pri ročajih. Preglejte tudi druge dele kosilne glave in jih po potrebi očistite.

## Izklop izdelka

1. Sprostite sprožilec plina in zaklep sprožilca plina.
2. Pritisnite in pridržite gumb za vklop/izklop, dokler ne zasveti zelena lučka LED.
3. Pritisnite gumba za sprostitvev na bateriji in baterijo vzemite iz izdelka. (Sl. 48)

## Zamenjava kosilne nitke

Glejte zadnjo stran navodil za uporabo.

# Vzdrževanje

## Uvod



**OPOZORILO:** Pred izvajanjem vzdrževalnih del na izdelku morate prebrati in razumeti poglavje o varnosti.

## Urnik vzdrževanja



**OPOZORILO:** Pred vzdrževanjem odstranite baterijo.

V nadaljevanju je naveden seznam vzdrževalnih korakov, ki jih je treba opraviti pri izdelku. Za več informacij glejte *Vzdrževanje na strani 386*.

Vzdrževanje	Dnevno	Teden- sko	Mesečno
Zunanje dele izdelka očistite s suho krpo. Ne uporabljajte vode.	X		
Preverite pravilno delovanje in brezhibnost gumba za vklop/izklop.	X		

Vzdrževanje	Dnevno	Teden- sko	Mesečno
Z varnostnega vidika se prepričajte, da sprožilec plina in zaklep sprožilca plina delujeta pravilno.	X		
Preverite, da upravljalni elementi delujejo in niso poškodovani.	X		
Ročaj mora biti čist, suh in brez olja ali masti.	X		
Rezalni priključek ne sme biti poškodovan. Če je rezalni priključek poškodovan, ga zamenjajte.	X		
Prepričajte se, da ščitnik rezalnega priključka ni poškodovan. Če je ščitnik rezalnega priključka poškodovan, ga zamenjajte.	X		
Prepričajte se, da so vijaki in matice dobro priviti.	X		
Prepričajte se, da gumba za sprostitvev na bateriji delujeta in omogočata pravilen zaklep baterije v izdelek.	X		
Preverite, da polnilnik baterije ni poškodovan in pravilno deluje.	X		
Prepričajte se, da baterija ni poškodovana.	X		
Prepričajte se, da je baterija napolnjena.	X		
Prepričajte se, da polnilnik baterije ni poškodovan.	X		
Preverite vse kable, spoje in povezave. Prepričajte se, da niso poškodovani ali umazani.		X	
Preverite priključke med baterijo in izdelkom. Preverite priključek med baterijo in polnilnikom baterije.			X

### Pregled baterije in polnilnika baterije

1. Preverite, ali je baterija poškodovana, na primer razpokana.
2. Preverite, ali je polnilnik baterije poškodovan, na primer razpokan.
3. Prepričajte se, da povezovalni kabel polnilnika baterije ni poškodovan in nima razpok.

### Čiščenje izdelka, baterije in polnilnika baterije

1. Izdelek po uporabi očistite s suho krpo.
2. Baterijo in polnilnik baterije očistite s suho krpo. Vodila baterije morajo biti vedno čista.

3. Poli na bateriji in polnilniku baterije morajo biti čisti, ko vstavite baterijo v polnilnik ali izdelek.

### Pregled in zamenjava kosilne glave

1. Preverite, ali je kosilna glava poškodovana ali razpokana.
2. Izvlecite sklop kanala za kosilno nitko.
3. Odstranite kosilno glavo. (Sl. 49)
4. Zamenjajte kosilno glavo.
5. Namestite kosilno glavo. Glejte *Namestitev kosilne glave na strani 384*.

## Odpravljanje težav

### Tipkovnica

Zaslon LED	Možne napake	Možne rešitve
Indikator LED za napako utripa.	Preobremenitev	Rezalni priključek se ne more prosto premikati. Sprostite ga.
	Odstopanje temperature	Počakajte, da se izdelek ohladi.
Izdelka ni mogoče zagnati.	Sočasno pritisnete sprožilec plina in startni gumb.	Sprostite sprožilec plina in zaustavite izdelek.

Zaslon LED	Možne napake	Možne rešitve
Indikator LED za napako sveti rdeče.	Izdelek je treba servisirati.	Obrnite se na servisnega zastopnika.

## Baterija

Indikatorji LED	Možne napake	Možen ukrep
Zeleni indikator LED utripa	Nizka napetost baterije.	Napolnite baterijo.
Indikator LED za napako utripa.	Odstopanje temperature.	Baterijo uporabljajte v okolju s temperaturami med -10°C (14°F) in 40°C (104°F).
	Previsoka napetost.	Omrežna napetost mora biti skladna z vrednostjo na tipski ploščici na izdelku. Odstranite baterijo iz polnilnika.
Indikator LED za napako sveti.	Prevelika razlika med celicami (1 V).	Obrnite se na servisnega zastopnika.

## Polnilnik baterije

Težava	Možne napake	Možna rešitve
Indikator polnjenja sveti rdeče.	Trajna napaka polnilnika baterije.	Obrnite se na svojega prodajalca.
Indikator polnjenja utripa zeleno.	Odstopanje temperature; baterija je premrzla ali prevroča za uporabo ali polnjenje.	Počakajte, da se baterija ohladi ali ogreje. Ko bo temperatura baterije ustrezna, jo lahko spet uporabljate ali polnite. Baterijski polnilnik uporabljajte v okolju s temperaturami med 5 °C in 40 °C (41–104 °F).
Indikator polnjenja utripa rdeče.	Pokvarjena baterija.	Obrnite se na svojega prodajalca.

## Transport skladiščenje in odstranitev

### Prevoz in skladiščenje

- Priložene litij-ionske baterije so skladne z zahtevami zakonodaje o nevarnem blagu.
- Pri transportu, tudi če ga izvaja tretja oseba ali posrednik, je treba upoštevati posebna navodila na embalaži in nalepkah.
- Pred pošiljanjem izdelka se posvetujte z osebo, ki je posebej usposobljena za nevarne snovi. Upoštevajte vse veljavne nacionalne predpise.
- Ob vstavljanju baterije v paket prelepitate izpostavljene kontakte. Baterijo vstavite v paket tako, da se ne more premikati.
- Pri skladiščenju ali prevozu vedno odstranite baterijo.
- Baterijo in polnilnik baterije hranite v suhem prostoru, kjer ni vlage in zmrzali.
- Baterijske ne shranjujte v prostoru, v katerem je lahko prisotna statična elektrika. Baterije ne shranjujte v kovinski škatli.
- Baterijo shranite v prostor s temperaturami med 5 in 25 °C (41–77 °F), v katerem ne sme biti izpostavljena neposredni sončni svetlobi.
- Polnilnik baterije shranite v prostor s temperaturami med 5 in 45 °C (41–113 °F) tako, da ne bo izpostavljen neposredni sončni svetlobi.
- Polnilnik baterije uporabljajte samo v okolju s temperaturami od 5 do 40 °C (41–104 °F).
- Pred dolgotrajnejšim skladiščenjem mora biti baterija napolnjena med 30 % in 50 %.

- Polnilnik baterije shranite v zaprt in suh prostor.
- Med shranjevanjem baterija ne sme biti v bližini polnilnika. Otroci in druge nepooblaščen osebe se ne smejo dotikati opreme. Oprema mora biti shranjena v prostoru, ki ga je mogoče zakleniti.
- Pred dolgotrajnejšim skladiščenjem izdelek očistite in opravite popoln servis.
- Pred prevozom in skladiščenjem na izdelek namestite transportno zaščito, da preprečite telesne poškodbe ali škodo na izdelku.
- Med prevozom varno pritrdite izdelek.

odpadka. Treba ga je reciklirati v zbirnem centru za reciklažo električne in elektronske opreme. Tako se pomaga preprečiti škodovanje okolju in ogrožanje zdravja ljudi.

Za več informacij o recikliranju svojega izdelka se obrnite na lokalne oblasti, službo za gospodinjstva odpadke ali prodajalca.

## Odstranitev baterije, polnilnika baterije in izdelka

Simboli na izdelku ali njegovi embalaži opozarjajo, da izdelka ne smete obravnavati kot gospodinjstvega

## Tehnični podatki

### Tehnični podatki

	<b>215iL</b>
<b>Motor</b>	
Tip motorja	BLDC
Hitrost pogonske gredi, vrt/min	6800
Širina rezanja, mm	310
<b>Teža</b>	
Teža brez baterije v kg	2,9
<b>Emisije hrupa</b> <sup>70</sup>	
Raven zvočne moči, izmerjena v dB (A)	90,5
Raven zvočne moči, zajamčena L <sub>WA</sub> dB (A)	92
<b>Ravni hrupa</b> <sup>71</sup>	
Ekvivalentna raven zvočnega tlaka na uporabnikovem ušesu, merjena po EN ISO 50636-2-91, dB (A):	74,9
<b>Ravni vibracij</b> <sup>72</sup>	
Ravni vibracij pri ročajih, merjene po standardu EN 50636-2-91, m/s <sup>2</sup>	4,5/2,7
S kosilno glavo (originalno), spredaj/zadaj.	

<sup>70</sup> Emisije hrupa v okolje, merjene kot moč zvoka (L<sub>WA</sub>), v skladu z direktivo ES 2000/14/ES. Razlika med zajamčeno in izmerjeno ravno zvočno moči je v tem, da zajamčena raven zvočne moči, v skladu z direktivo 2000/14/ES, vključuje tudi razpršitev izmerjenih vrednosti in razlike med različnimi izdelki istega modela.

<sup>71</sup> Podatki za ekvivalentno raven zvočnega tlaka za napravo imajo tipično statistično razpršitev (standardni odklon) v vrednosti 2,5 dB (A).

<sup>72</sup> Zabeleženi podatki za raven vibracij imajo tipično statistično razpršitev (standardni odklon) 1,5 m/s<sup>2</sup>.

## Odobrene baterije za izdelek

Baterija	BLI10		BLI20		40-B70	40-B140
Vrsta	Litij-ionska		Litij-ionska		Litij-ionska	Litij-ionska
Zmogljivost akumulatorja v Ah	Oglejte si nalepko s podatki o zmogljivosti baterije		Oglejte si nalepko s podatki o zmogljivosti baterije		Oglejte si nalepko s podatki o zmogljivosti baterije	Oglejte si nalepko s podatki o zmogljivosti baterije
Nazivna napetost, V	36	36,5	36	36,5	36	36
Teža, lb/kg	0,7	0,7	1,2	1,2	0,8	1,25

## Odobreni polnilniki baterij za izdelek

Baterijski polnilnik	QC80	40-C80
Omrežna napetost, V	100–240	100–240
Frekvenca, Hz	50-60	50-60
Moč, W	100	72
Izhodna napetost, V DC/ moč, A	36/2	43/1,6

---

## Dodatki

---

## Odobren pribor

Odobren pribor	Vrsta	Ščitnik rezalnega priključka, št. izdelka
Kosilna glava	R25B (2-milimetrski kabel)	529 96 69-01

## Izjava o skladnosti

### Izjava EU o skladnosti

Mi, **Husqvarna AB**, SE--561 82 Huskvarna, Švedska,  
tel.: +46-36-146500, izjavljamo na lastno odgovornost,  
da je izdelek:

<b>Opis</b>	Baterijske kose
<b>Znamka</b>	Husqvarna
<b>Vrsta/model</b>	215iL
<b>Identifikacija</b>	Serijske številke od letnika 2024 dalje

v celoti skladen z naslednjimi direktivami in uredbami  
EU:

Direktiva/uredba	Opis
2006/42/ES	"o strojih"
2014/30/EU	"o elektromagnetni združljivosti"
2000/14/ES	"o emisijah hrupa v okolico"
2011/65/EU	"o omejevanju uporabe nekaterih nevarnih snovi v električni in elektronski opremi"

in so pri tem v veljavi naslednji standardi in/ali  
tehnične specifikacije: EN 60335-1:2012/A15:2021,  
EN 50636-2-91:2014, EN IEC 63000:2018, EN IEC  
55014-1:2021; EN IEC 55014-2:2021.

Priglašeni organ: 0197 TÜV Rheinland LGA Products  
GmbH, Tillystraße 2, 90431 Nürnberg, Germany je  
potrdil skladnost z direktivo Sveta 2000/14/ES; postopki  
ugotavljanja skladnosti: Priloga VI.

Za informacije v zvezi z emisijami hrupa glejte poglavje  
*Tehnični podatki na strani 389.*

Huskvarna, 2024-02-01



Claes Losdal, Vodja oddelka za raziskave in razvoj,  
Husqvarna AB

Odgovorni za tehnično dokumentacijo



## Sadržaj

Uvod.....	392	Transport, skladištenje i odlaganje.....	403
Bezbednost.....	393	Tehnički podaci.....	404
Sklapanje.....	399	Dodaci.....	405
Rukovanje.....	399	Deklaracija o usaglašenosti.....	406
Održavanje.....	401	Appendix .....	454
Rešavanje problema.....	402		

---

## Uvod

---

### Opis proizvoda

Husqvarna 215iL je akumulatorski trimer za travu sa elektromotorom.

Neprestano radimo na povećanju bezbednosti i efikasnosti rada. Obratite se serviseru za više informacija.

### Namena

Ovaj proizvod se koristi sa metalnim trimi linijama, nemetalnim trakama ili ekvivalentnim fleksibilnim

nemetalnim elementima za sečenje. Nemojte koristiti proizvod za druge zadatke osim skraćivanja korova, trave ili druge meke vegetacije.

---

**Napomena:** Državni propisi mogu da definišu ograničenja pri radu proizvoda.

---

### Pregled proizvoda

(SI. 1)

1. Trimi glava
2. Štitnik priključka za rezanje
3. Osovina
4. Podešavanje osovine (teleskopske)
5. Kružna drška
6. Tastatura
7. Indikator upozorenja za tastaturu
8. Dugme za pokretanje/zaustavljanje
9. Dugme SavE
10. Obarač gasa
11. Zaključavanje obarača gasa
12. Indikator napajanja i upozorenja
13. Priključak
14. Punjač baterije 40-C80
15. Punjač baterije QC80
16. Kabl za napajanje
17. Štitnik za biljke
18. Indikator upozorenja baterije
19. Status baterije
20. Dugme indikatora baterije
21. Dugme za otpuštanje baterije
22. Baterija
23. Kombinovani alat
24. Uputstvo za rukovaoca

(SI. 5) Nemojte izlagati kiši.

(SI. 6) Nalepnica za emisiju buke u okruženje je u skladu sa direktivama i propisima EU (uključujući zakonodavstvo Novog Južnog Velsa) i UK. Podaci o emisiji buke su navedeni na nalepnici mašine i u poglavlju Tehnički podaci.

(SI. 7) Držite prisutne osobe udaljene od proizvoda.

(SI. 8) Iskopčajte akumulator pre radova na održavanju.

(SI. 9) Ovaj proizvod ili pakovanje ne treba tretirati kao kućni otpad. Reciklirajte ga na lokaciji za recikliranje električne i elektronske opreme.

(SI. 10) Proizvod je usaglašen sa važećim direktivama EU.

(SI. 11) Proizvod je usaglašen sa važećim direktivama UK.

(SI. 12) Jednosmerna struja.

### Simboli na proizvodu

(SI. 2) **UPOZORENJE:** Ovaj proizvod može biti opasan i prouzrokovati teške telesne povrede ili smrt rukovaoca ili drugih osoba. Budite pažljivi i koristite proizvod na pravilan način.

(SI. 3) Pre korišćenja pažljivo pročitajte korisničko uputstvo i uverite se da razumete njegov sadržaj.

(SI. 4) Koristite zaštitu za oči.

yyyywwxxxx

Pločica tipa ili lasersko štampanje prikazuje serijski broj. **yyyy** je godina proizvodnje, a **ww** je nedelja proizvodnje.



## Simboli na akumulatoru i/ili punjaču akumulatora

(Sl. 16) Reciklirajte ovaj proizvod u pogonu za recikliranje električne i elektronske opreme. (Odnosi se samo na Evropu)

(Sl. 13) Sigurnosni transformator.

(Sl. 14) Koristite i čuvajte punjač akumulatora samo u zatvorenom prostoru.

(Sl. 15) Dvostruka izolacija.

## Oštećenje proizvoda

Nismo odgovorni za oštećenja proizvoda u sledećim slučajevima:

- proizvod je popravljen na pogrešan način
- proizvod je popravljen korišćenjem delova koji nisu napravljeni ili odobreni od strane proizvođača
- proizvod ima opremu koja ne potiče ili nije odobrena od strane proizvođača
- proizvod nije popravljen u ovlašćenom servisnom centru ili od strane ovlašćenog stručnjaka

## Bezbednost

### Bezbednosne definicije

Upozorenja, mere opreza i napomene se koriste da ukažu na naročito važne delove korisničkog uputstva.



**UPOZORENJE:** Koristi se ako, usled nepoštovanja uputstava, postoji rizik od nastanka telesnih povreda ili smrti kod rukovaoca ili prisutnih osoba.



**OPREZ:** Koristi se ako, usled nepoštovanja uputstava, postoji rizik od nastanka oštećenja na proizvodu, drugim materijalima ili susednim oblastima.

**Napomena:** Koristi se za pružanje više informacija koje su neophodne u datoj situaciji.

### Opšta bezbednosna upozorenja za električni alat



**UPOZORENJE:** Pročitajte bezbednosna upozorenja i uputstva u celosti. Nepridržavanje upozorenja i uputstava može da dovede do strujnog udara, požara i/ili teških povreda.

**Napomena:** Sačuvajte sva upozorenja i uputstva kao referencu za kasnije. Izraz „električni alat“ iz upozorenja se odnosi na električni alat koji se napaja preko električne mreže (putem kabela) ili akumulatora (bežično).

### Kontrola pre starta

- Uvek uklonite akumulator da biste sprečili slučajno pokretanje proizvoda. Uvek uklonite akumulator pre održavanja proizvoda.

- Pre korišćenja proizvoda i posle svakog udara proverite ima li znaka habanja ili oštećenja i izvršite popravke ako je neophodno.
- Pregledajte radno područje. Uklonite sve slobodne predmete kao što je kamenje, slomljeno staklo, ekseri, čelične žice, vrpce itd. koji bi mogli da budu odbačeni ili da se obmotaju oko rezača ili štitnika rezača.
- Proverite da li je motor zaprljan ili naprsao. Očistite travu i lišće sa motora četkom. Po potrebi nosite rukavice.
- Proverite da li je glava trimera potpuno spojena sa trimenom.
- Uverite se da je proizvod u besprekornom radnom stanju. Proverite da li su sve navrtke i zavrtnji dobro pričvršćeni.
- Proverite da li su glava trimera i štitnik trimera oštećeni ili napukli. Promenite glavu trimera ili zaštitu trimera ukoliko su bili izloženi udaru ili imaju naprsline. Uvek upotrebite preporučeni štitnik za specifičan nastavak za rezanje. Vidite odeljak Tehnički podaci.
- Rukovalac proizvodom mora da obezbedi da nema ljudi ili životinja bliže od 15 metara tokom rada. Kada nekoliko rukovaoca radi u istoj oblasti, bezbedno rastojanje treba da bude bar 15 metara.
- Izvršite detaljan pregled proizvoda pre njegovog korišćenja. Pridržavajte se šeme održavanja.
- Državni ili lokalni propisi mogu da regulišu korišćenje. Poštujte date propise.

### Bezbednost u oblasti rada

- **Držite radnu oblast čistom i dobro osvetljenom.** U neurednim ili mračnim oblastima nezgode se češće dešavaju.
- **Ne radite sa električnim alatima u eksplozivnim okruženjima, npr. u prisustvu zapaljivih tečnosti, gasova ili prašine.** Električne alatke stvaraju iskre koje mogu da zapale prašinu ili isparenja.
- **Neka se deca i posmatrači udalje dok radite sa električnim alatom.** Skretanje pažnje može da dovede do toga da izgubite kontrolu.

## Električna bezbednost

- **Utikači električnog alata moraju da odgovaraju utičnici.** Nikad nemojte ni na koji način da modifikujete utikač. Nemojte da koristite adaptere pri radu sa uzemljenim električnim alatom. Nemodifikovani utikači i odgovarajuće utičnice će smanjiti rizik od strujnog udara.
- **Izbegavajte telesni kontakt sa uzemljenim površinama kao što su cevi, radijatori, šporeti i frižideri.** Postoji povećani rizik od strujnog udara ukoliko je vaše telo uzemljeno.
- **Nemojte izlagati električne alate kiši i vlazi.** Ako voda proдре u električni alat, povećaćе se opasnost od strujnog udara.
- **Nemojte nepropisno da postupate sa kablom.** Nikada ne koristite kabl za nošenje, vuču ili isključivanje električnog alata. Držite kabl dalje od izvora toplote, ulja, oštih ivica i pokretnih delova. Oštećeni ili zamršeni kablovi povećavaju rizik od strujnog udara.
- **Kada radite sa električnim alatom na otvorenom, koristite produžni kabl koji je pogodan za upotrebu na otvorenom.** Korišćenje kabla koji je pogodan za upotrebu na otvorenom smanjuje rizik od strujnog udara.
- **Ako ne može da se izbegne korišćenje električnog alata na vlažnom mestu, koristite napajanje preko zaštitnog uređaja diferencijalne struje (RCD).** Upotreba RCD-a smanjuje rizik od strujnog udara.

## Lična bezbednost

- **Budite na oprezu, ne skrećite pogled sa onoga što radite i rukujte alatom zdravorazumski.** Nemojte da koristite električni alat ako ste umorni ili pod dejstvom droge, alkohola ili lekova. Trenutak nepažnje prilikom rada sa električnim alatima može da dovede do ozbiljnih telesnih povreda.
- **Koristite ličnu zaštitnu opremu. Uvek nosite zaštitu za oči.** Zaštitna oprema poput zaštitne maske od prašine, sigurnosnih neklizajućih cipela, kacige ili zaštite za sluh koja se koristi u odgovarajućim uslovima smanjuje telesne povrede.
- **Sprečite slučajno pokretanje. Pobrinite se da je prekidač u položaju OFF (ISKLUČENO) pre priključivanja na izvor napajanja i/ili akumulator, podizanja ili nošenja alata.** Nošenje električnog alata sa prstom na prekidaču ili napajanje električnog alata sa prekidačem u položaju za uključenje može da dovede do nezgode.
- **Uklonite ključ za podešavanje ili francuski ključ pre uključivanja električnog alata.** Francuski ključ ili ključ koji ostanu pričvršćeni za obrtni deo električnog alata mogu da dovedu do telesne povrede.
- **Nemojte se preterano naginjati. Uvek budite oslonjeni na obe noge i pazite na ravnotežu.** To će vam omogućiti bolju kontrolu nad električnim alatom u nepredviđenim situacijama.
- **Budite propisno odeveni. Nemojte da nosite nakit ili široku odeću.** Vodite računa da vam kosa i odeća ne

dođu u dodir sa pokretnim delovima. Pokretni delovi mogu da zakače široku odeću, nakit ili dugu kosu.

- **Ukoliko su obezbeđeni uređaji za povezivanje aparata za izbacivanje ili sakupljanje prašine, proverite da li su povezani i da li se pravilno koriste.** Korišćenje aparata za prikupljanje prašine može da smanji broj kvarova koji su nastali usled prašine.
- **Nemojte dozvoliti da vam iskustvo koje ste stekli kroz čestu upotrebu alata stvori osećaj samopouzdanja i da se ne pridržavate principa u vezi sa bezbednošću.** Nemarna radnja može da izazove teške povrede u deliću sekunde.
- **Emisija vibracija tokom stvarnog korišćenja električnog alata može da se razlikuje od deklarisanе ukupne vrednosti zavisno od načina na koji se alat koristi.** Rukovaoci bi trebali da utvrde mere zaštite zasnovane na proceni izlaganja u stvarnim uslovima upotrebe (uzimajući u obzir sve delove operativnog ciklusa npr. vremena kad je alat isključen i kad radi u praznom hodu, uz rad pri korišćenju obarača).

## Upotreba i održavanje električnog alata

- **Nemojte da koristite električni alat na silu. Koristite električni alat koji odgovara nameni.** Adekvatan električni alat će bolje i sigurnije obaviti posao u meri za koju je napravljen.
- **Ne koristite električni alat ako se prekidačem alat ne uključuje ili ne isključuje.** Svaki električni alat koji ne može da se kontroliše putem prekidača je opasan i mora da se popravi.
- **Isključite utikač iz izvora električne energije i/ili uklonite akumulator, ako se može odvojiti, sa električnog alata pre nego što pristupite bilo kakvom podešavanju, promeni dodatne opreme ili skladištenju električnog alata.** Takve bezbednosne preventivne mere smanjuju rizik od slučajnog uključivanja električnog alata.
- **Električni alat koji se ne koristi čuvajte dalje od dohvata dece i nemojte da dozvoljavate rad sa alatom osobama koje nisu upoznate sa njim ili ovim uputstvima.** Električni alat je opasan kada njime rukuju neobučeni korisnici.
- **Održavajte električne alate i dodatnu opremu. Proverite da li su pokretni delovi poravnati i pričvršćeni, da li postoje pukotine na delovima i sva druga stanja koja mogu uticati na rad električnog alata. Ukoliko je oštećen, električni alat odnesite na popravku pre korišćenja.** Mnoge nezgode su prouzrokovali loše održavani električni alati.
- **Održavajte alat za sečenje oštirim i čistim.** Alat za sečenje koji se pravilno održava i ima oštre rezne vrhove se ređe krivi i lakše kontroliše.
- **Električni alat, pribor, delove alata itd. koristite u skladu sa ovim uputstvima uzimajući u obzir radne uslove i posao koji treba da se obavi.** Korišćenje električnog alata za operacije za koje nije namenjen može da dovede do opasnih situacija.
- **Ručke i prihvatne površine bi trebalo da budu suve, čiste i bez ostatka ulja i maziva.** Klizave ručke i prihvatne površine ne omogućavaju

bezbedno rukovanje i kontrolu alata u neočekivanim situacijama.

rizik od teških telesnih povreda. Zato odvojte akumulator kad mašina nije pod nadzorom.

## Upotreba i održavanje baterijskog alata

- **Punite samo punjačem koji je naznačen od strane proizvođača.** Punjač koji je odgovarajući za jedan tip baterije može stvoriti rizik od požara kada se koristi sa drugom baterijom.
- **Koristite proizvode samo sa posebno naznačenim baterijama.** Korišćenje drugih baterije može stvoriti rizik od telesne povrede i požara.
- **Kad se baterija ne koristi držite je dalje od metalnih predmeta, kao što su spjalice, novčići, ključevi, ekseri, zavrtnji ili slični mali metalni predmeti koji mogu da naprave spoj između polova baterije.** Kratko spajanje polova baterije može da izazove opekotine ili požar.
- **U opasnim uslovima, tečnost može da prsne iz baterije; izbegavajte kontakt. Ako do kontakta slučajno dođe, isperite to mesto vodom. Ako tečnost dođe u kontakt sa očima, dodatno potražite lekarsku pomoć.** Tečnost koja prsne iz baterije može da prouzrokuje iritaciju ili opekotine.
- **Ne koristite baterije i uređaje koji su oštećeni ili modifikovani.** Oštećene ili modifikovane baterije mogu biti nepredvidive što može dovesti do vatre, eksplozije ili rizika od povrede.
- **Baterije ili uređaj nemojte da izlažete vatri ili previsokoj temperaturi.** Izlaganje vatri ili temperaturi iznad 130 °C može dovesti do eksplozije.
- **Pridržavajte se svih uputstava za punjenje i nemojte da puniti akumulator ili uređaj izvan opsega temperature koji je naveden u uputstvima.** Nepravilno punjenje ili temperature izvan navedenog opsega mogu oštetiti bateriju i povećati rizik od požara.

## Servis

- **Servisiranje električnog alata poverite kvalifikovanom serviseru koji isključivo koristi iste rezervne delove.** Tako ćete biti sigurni u održavanje bezbednosti električnog alata.
- **Nikad ne servisirajte oštećene akumulateore.** Servisiranje akumulatora treba da vrši samo proizvođač ili ovlašćeni serviseri.

## Uvek upotrebljavajte zdrav razum

Nije moguće obuhvatiti sve situacije s kojima se možete suočiti. Uvek budite pažljivi i koristite zdrav razum. Izbegavajte sve situacije za koje smatrate da nisu u okviru vaših sposobnosti. Ako nakon čitanja ovog uputstva i dalje imate nedoumice u vezi s radnim postupcima, pre nastavka rada obratite se stručnjaku.



**UPOZORENJE:** Ne dozvolite deci da koriste mašinu ili budu u njenoj blizini. Pošto se mašina lako pokreće, deca mogu da je pokrenu ako nisu pod nadzorom. To nosi

## Opšta bezbednosna uputstva



**UPOZORENJE:** Pročitajte upozoravajuća uputstva koja slede pre korišćenja proizvoda.

- Uklonite bateriju da biste sprečili slučajno pokretanje proizvoda.
- Ovaj proizvod je opasan ako se koristi nepažljivo ili nepravilno. Ovaj proizvod može prouzrokovati teške telesne povrede ili smrt rukovaoca i drugih osoba.
- Nemojte koristiti proizvod ako je izmenjen u odnosu na originalne specifikacije. Nemojte menjati deo na proizvodu bez odobrenja proizvođača. Koristite samo delove koji je proizvođač odobrio. Telesna povreda ili smrt su mogući rezultat nepravilnog održavanja.
- Proverite proizvod pre upotrebe. Pogledajte *Kontrola pre starta na stranici 393* i *Pre rada sa proizvodom na stranici 399*. Nemojte koristiti uređaj koji je oštećen ili neispravan. Pratite uputstva za bezbednosne provere, održavanje i servisiranje opisana u ovom priručniku.
- Potrebno je vršiti stalni nadzor nad decom da biste bili sigurni da se ne igraju sa proizvodom. Ne dozvolite deci ili osobama koje nisu obučene da koriste proizvod i/ili bateriju ili da ih servisiraju. Uzrast korisnika je možda propisan lokalnim zakonima.
- Čuvajte proizvod u zaključanoj prostoriji da biste sprečili neodobren pristup deci i drugim osobama.
- Proizvod odložite izvan domašaja dece.
- Ni u kom slučaju ne smete bez odobrenja proizvođača prepravljati prvobitnu konstrukciju proizvoda. Uvek upotrebljavajte originalnu opremu. Neovlašćene modifikacije i/ili oprema mogu dovesti do teške povrede ili smrti rukovaoca ili drugih osoba.

**Napomena:** Državni ili lokalni propisi mogu da regulišu korišćenje. Poštujte date propise.

## Bezbednosna uputstva za rad



**UPOZORENJE:** Pročitajte upozoravajuća uputstva koja slede pre korišćenja proizvoda.

- **Nemojte koristiti mašinu po lošim vremenskim uslovima, naročito kada postoji opasnost od groma.** Time se smanjuje rizik od udara groma.
- **Temeljito pregledajte oblast u pogledu faune tamo gde će se mašina koristiti.** Mašina može tokom rada prouzrokovati povrede životinja.
- **Pažljivo pregledajte oblast u kojoj će se mašina koristiti i uklonite sve kamenje, grane, žice, kosti i**

**ostale strane predmete.** Izbačeni predmeti mogu da nanesu telesne povrede.

- **Pre korišćenja mašine, uvek vizuelno proverite kako biste utvrdili da rezač i sklop rezača nisu oštećeni.** Oštećeni delovi povećavaju rizik od povrede.
- **Vodite računa da štitnici budu postavljeni. Štitnici moraju biti u radnom stanju i propisno postavljeni.** Štitnik koji je labav, oštećen ili ne funkcioniše ispravno može dovesti do telesne povrede.
- **Održavajte sve ulaze vazduha za hlađenje čistim od otpadaka.** Blokirani ulazi vazduha i otpaci mogu rezultirati prekomernim zagrevanjem ili rizikom od požara.
- **Nosite zaštitu za oči i zaštitu za uši.** Adekvatna zaštitna oprema će smanjiti obim telesne povrede.
- **Dok rukujete mašinom, uvek nosite neključicu i zaštitnu obuću. Ne rukujte mašinom bosim ili u otvorenim sandalama.** Time se smanjuje mogućnost povrede stopala usled kontakta sa rezačem koji se okreće.
- **Uvek nosite odeću kao što su pantalone koje vam pokrivaju noge dok rukujete mašinom.** Kontakt sa rezačem ili niti koji se okreću može uzrokovati povredu.
- **Neka prisutne osobe budu udaljene dok rukujete mašinom.** Delovi isečene vegetacije koji su izbačeni mogu da imaju za rezultat tešku telesnu povredu.
- **Nemojte rukovati mašinom iznad visine struka.** To pomaže u sprečavanju slučajnog kontakta rezača i omogućava bolju kontrolu nad mašinom u neočekivanim situacijama.
- **Budite izuzetno pažljivi tokom rada mašine u vlažnoj travi. Hodajte, ne trčite.** Time se smanjuje rizik od klizanja i pada koji može rezultirati telesnom povredom.
- **Nemojte rukovati mašinom na previše strmim nagibima.** Tako ćete smanjiti rizik od gubitka kontrole, klizanja i pada koji može rezultirati telesnom povredom.
- **Prilikom rada na nagibima, uvek osigurajte siguran oslonac stopala, uvek radite preko lica nagiba, nikada gore ili dole nagiba i budite naročito pažljivi kada se okrećete.** Tako ćete smanjiti rizik od gubitka kontrole, klizanja i pada koji može rezultirati telesnom povredom.
- **Držite sve kablove za napajanje i druge kablove izvan oblasti rada.** Kablovi za napajanje ili drugi kablovi mogu da se zavuku u živu ogradu ili žbunje i da budu slučajno zasečeni ili oštećeni niti ili rezačem.
- **Vodite računa da neki deo tela ne dođe u kontakt sa rezačem trimera ili niti koji se okreću. Nemojte uklanjati materijal sa mašine sve dok ona ne bude iskopčana sa izvora napajanja.** Rezač trimera ili nit koji se okreću mogu rezultirati teškom telesnom povredom.
- **Nosite mašinu samo kada je ona isključena i to tako da je odmaknuta od vašeg tela.** Pravilno rukovanje

mašinom će umanjiti verovatnoću slučajnog kontakta sa rezačem trimera ili niti koji se okreću.

- **Koristite samo zamenske rezne glave i rezače trimera ili niti naznačene od strane proizvođača. Nemojte zamenjivati rezače trimera ili niti metalnim žicama ili noževima.** Neodgovarajući zamenski delovi mogu prouzrokovati gubitak kontrole, lomljenje i povredu.

## Lična zaštitna oprema



**UPOZORENJE:** Pročitajte upozoravajuća uputstva koja slede pre korišćenja proizvoda.

- Uvek koristite odobrenu ličnu zaštitnu opremu kada koristite proizvod. Lična zaštitna oprema ne može da u potpunosti spreči telesnu povredu, ali ona umanjuje stepen telesne povrede ako dođe do nesrećnog slučaja. Neka vam vaš prodavac pomogne u izboru odgovarajuće opreme.
- Koristite odobrenu zaštitu za sluh.

(Sl. 17)

- Koristite odobrenu zaštitu za oči. Prilikom korišćenja vizira istovremeno se moraju koristiti odobrene zaštitne naočare. Odobrene zaštitne naočare jesu takve koje ispunjavaju standard ANSI Z87.1 u SAD ili EN 166 u zemljama Evropske unije.

(Sl. 18)

- Nosite rukavice po potrebi, na primer, kada pričvršćujete, pregledate ili čistite opremu za rezanje.

(Sl. 19)

- Nosite zaštitne čizme sa čeličnim delom na prstima i neključicim đonovima.

(Sl. 20)

- Nosite odeću napravljenu od jake tkanine. Uvek nosite debele, dugačke pantalone i dugačke rukave. Nemojte nositi široku odeću koja može da se zakači o grančice i grane. Nemojte nositi nakit, kratke pantalone ili sandale. Nemojte hodati bosonogi. Sklonite kosu tako da vam bude iznad ramena.
- Neka vam komplet za prvu pomoć bude u blizini.

(Sl. 21)

## Bezbednosni uređaji na proizvodu



**UPOZORENJE:** Pročitajte upozoravajuća uputstva koja slede pre korišćenja proizvoda.

U ovom odeljku je objašnjena bezbednosna oprema proizvoda, njena svrha, te način kako treba obaviti provere i održavanje da bi se osigurao ispravan rad. Vidite uputstva pod naslovom *Uvod na stranici 392* da biste saznali gde se na vašem proizvodu nalaze ovi delovi.

Vek trajanja proizvoda se može skratiti, a rizik od nastupanja nesreća povećati ako se održavanje proizvoda ne vrši na pravi način i ako se servisiranje ili popravljanje ne vrše stručno. Ako su vam potrebne dodatne informacije, kontaktirajte najbliži ovlašćeni servis.



**UPOZORENJE:** Nikada ne upotrebljavajte proizvod sa neispravnim delovima bezbednosne opreme. Bezbednosna oprema za proizvod mora da se pregleda i održava kako je opisano u ovom odeljku. Ako proizvod ne zadovolji bilo koju od tih provera, obratite se ovlašćenom servisu radi popravke.



**OPREZ:** Potrebna je posebna obuka za servisiranje i popravku mašina. Ovo se posebno odnosi na bezbednosnu opremu mašine. Ako mašina ne zadovolji bilo koju od dole opisanih provera odnesite je svom servisnom agentu. Za bilo koji proizvod kupljen od nas garantujemo raspoloživost profesionalne popravke i servisiranja. Ako prodavac na malo koji je prodao mašinu nije serviser, zatražite od njega adresu najbližeg servisnog agenta.

#### Provera tastature

1. Pritisnite i držite dugme za pokretanje/zaustavljanje (A). (Sl. 22)
  - a) Proizvod je uključen kad LED lampica (B) svetli.
  - b) Proizvod je isključen kad LED lampica (B) ne svetli.
2. Pogledajte *Tastatura na stranici 402* ako indikator upozorenja (C) svetli ili trepće.

#### Provera zaključavanja obarača gasa

Zaključavanje obarača gasa sprečava neželjeno pokretanje. Kad pritisnete zaključavanje obarača gasa (A), oslobađate obarač gasa (B). Kad otpustite ručku, obarač gasa i zaključavanje obarača gasa se vraćaju u prvobitne položaje. (Sl. 23)

1. Proverite da li je obarač gasa blokiran kada je zaključavanje obarača gasa u originalnom položaju. (Sl. 24)
2. Pritisnite obarač gasa i uverite se da se vraća u početni položaj kada ga otpustite. (Sl. 25)
3. Uverite se da se obarač gasa i zaključavanje obarača gasa slobodno pomeraju i da povratna opruga ispravno radi. (Sl. 26)
4. Pokrenite proizvod. Pogledajte *Pokretanje proizvoda na stranici 400*
5. Dajte pun gas.

6. Otpustite obarač gasa i uverite se da se priključak za rezanje zaustavio.

#### Da biste proverili štitičnik nastavka za rezanje



**UPOZORENJE:** Nemojte koristiti nastavak za rezanje bez odobrenog i pravilno pričvršćenog štitičnika nastavka za rezanje. Uvek koristite preporučeni štitičnik nastavka za rezanje za nastavak za rezanje koji koristite, pogledajte *Tehnički podaci na stranici 404*. Ako postavite pogrešan ili neispravan štitičnik nastavka za rezanje, to može da prouzrokuje tešku telesnu povredu.

Štitičnik priključka za košenje sprečava predmete koji se izbacuju u smeru rukovaoca. Štitičnik nastavka za rezanje sprečava i telesne povrede koje se mogu pojaviti ako dodirnete nastavak za rezanje.

1. Zaustavite motor.
2. Izvršite vizuelni pregled u pogledu oštećenja, na primer, naprslina.
3. Zamenite štitičnik nastavka za rezanje ako je oštećen.

#### Oprema za košenje

Izaberite odgovarajuću opremu za rezanje i održavajte je da biste:

- Dobili maksimalne radne karakteristike pri rezanju.
- Produžili vek trajanja opreme za rezanje.



**UPOZORENJE:** Koristite samo priključke za košenje sa štitičnicima koje smo preporučili! Pogledajte *Tehnički podaci na stranici 404*. Pogledajte uputstva za priključak za košenje da biste našli pravilan način postavljanja niti trimera i odgovarajući prečnik niti trimera.



**UPOZORENJE:** Oštećen nastavak za rezanje može povećati opasnost od nesrećnih slučajeva.



**UPOZORENJE:** Uvek zaustavite motor pre obavljanja ikakvog posla na nastavku za rezanje. On nastavku da se rotirate i kad pustite gas. Uverite se da se nastavak za rezanje potpuno zaustavio i skinite kapicu svećice pre nego što budete radili na njemu.

#### Glava trimera



**UPOZORENJE:** Uvek vodite računa da je trimi nit čvrsto i ravnomerno omotana oko bubnja da bi se sprečile štetne vibracije.

(Sl. 27)

- Koristite samo preporučene trimi glave i trimi niti.
- Koristite samo preporučene priključke za košenje.
- Manje mašine zahtevaju manje trimi glave i obrnuto.
- Dužina trimi niti je važna. Duži gajtán trimera zahteva veću jačinu motora nego što je to slučaj kod kratkog gajtana sa istim prečnikom gajtana.
- Proverite da li je nož koji se nalazi na zaštitni trimera neoštećen. Time se reže trimi nit na ispravnu dužinu.
- Potopite trimi nit u vodu tokom nekoliko dana pre korišćenja kako biste povećali dužinu radnog veka.

## Bezbedna upotreba baterije



**UPOZORENJE:** Pročitajte upozoravajuća uputstva koja slede pre korišćenja proizvoda.

- Koristite samo baterije serije BLi i 40-B. Detalje potražite pod *Tehnički podaci na stranici 404*. Baterija je softverski kodirana.
- Koristite punjive baterije iz serije BLi i 40-B kao izvor napajanja samo za odgovarajuće Husqvarna proizvode. Kako bi se sprečila telesna povreda, nemojte koristiti bateriju kao izvor napajanja za druge uređaje.
- Opasnost od strujnog udara. Nemojte povezivati terminale baterije na ključeve, kovanice, vijke ili druge metalne predmete. To može dovesti do kratkog spoja baterije.
- Ne koriste baterije za jednokratnu upotrebu.
- Nemojte stavljati predmete u proreze za vazduh baterije.
- Držite bateriju tako da ne bude izložen sunčevoj svetlosti, toploti ili otvorenom plamenu. Baterija može da izazove opekotine i/ili hemijske opekotine.
- Držite bateriju tako da ne bude izložena kiši i vlažnim uslovima.
- Držite bateriju dalje od mikrotalasnih pećnica i visokog pritiska.
- Nemojte pokušavati da rastavite ili lomite bateriju.
- Ako baterija curi, ne dozvolite da vam ta tečnost dospe na kožu ili u oči. Ako ste dodirnuli tečnost, isperite površinu velikom količinom vode sa sapunom i obratite se doktoru. Ako vam tečnost dospe u oči, nemojte ih trljati, već ih ispirajte vodom najmanje 15 minuta i potražite medicinsku pomoć.
- Koristite bateriju na temperaturama između -10 °C (14 °F) i 40 °C (114 °F).
- Nemojte čistiti bateriju ili punjač baterija vodom. Pogledajte *Čišćenje proizvoda, akumulatora i punjača akumulatora na stranici 402*.
- Nemojte koristiti defektnu ili oštećenu bateriju.
- Držite baterije uskladištene tako da budu udaljeni od metalnih predmeta kao što su ekseri, vijci ili nakit.
- Držite bateriju van domašaja dece.

## Bezbedna upotreba punjača baterije



**UPOZORENJE:** Pročitajte upozoravajuća uputstva koja slede pre korišćenja proizvoda.

- Opasnost od strujnog udara ili kratkog spoja ako se ne poštuju bezbednosne mere.
- Ne koristite druge punjače baterije osim onog namenjenog za proizvod. Koristite samo QC80 i 40-C80 punjače kad puniti zamenske baterije iz serije BLi i 40-B.
- Nemojte pokušavati da rasklopíte punjač baterije.
- Nemojte koristiti defektan ili oštećen punjač baterije.
- Nemojte podizati punjač baterije za kabl za napajanje. Da biste iskopčali punjač baterije sa mrežne utičnice, povucite utikač. Ne vucite kabl za napajanje.
- Držite sve kablove i produžne kablove dalje od vode, ulja i oštirih ivica. Uverite se da kabl nije priklješten između predmeta, npr. vratima, ogradom ili drugo.
- Nemojte koristiti punjač baterije u blizini zapaljivih materijala ili materijala koji mogu da izazovu koroziju. Uverite se da punjač baterija nije pokriven. Izvucite utikač kabla iz punjača baterije ako se pojave dim ili vatra.
- Baterije puniti samo u zatvorenom prostoru u prostoriji sa dobrom ventilacijom i podalje od sunčeve svetlosti. Nemojte puniti bateriju na otvorenom. Nemojte puniti bateriju u vlažnim uslovima.
- Koristite punjač baterije samo na temperaturama između 5 °C (41 °F) i 40 °C (104 °F). Punjač koristite u okruženju koje je dobro provetreno, suvo i bez prašine.
- Nemojte stavljati predmete u proreze za hlađenje punjača baterije.
- Nemojte povezivati terminale punjača na metalne predmete jer to može dovesti do kratkog spoja.
- Koristite odobrene i neoštećene utičnice za strujnu mrežu. Uverite se da kabl punjača baterije nije oštećen. Ako koristite produžni kabl, uverite se da nije oštećen.
- Nemojte puniti baterije koje se ne pune u punjačima baterije.

## Bezbednosna uputstva za održavanje



**UPOZORENJE:** Pročitajte upozoravajuća uputstva koja slede pre održavanja proizvoda.

- Uklonite bateriju pre održavanja, provere i sklapanja proizvoda.
- Rukovalac sme da vrši samo održavanje i servisiranje opisano u priručniku za rukovaoca. Obratite se serviseru radi održavanja i servisiranja većih dodataka.

- Nemojte čistiti akumulator ili punjač akumulatora vodom. Jak deterđent može da ošteti plastiku.
- Neodržavanje smanjuje radni vek proizvoda i povećava rizik od nezgoda.
- Za poslove servisiranja i popravke potrebna je posebna obuka, naročito kad je reč o bezbednosnim

uređajima na proizvodu. Ako posle odobravanja uređaj ne prođe sve provere opisane u korisničkom uputstvu, obratite se serviseru. Garantujemo da su za vaš proizvod dostupne profesionalne popravke i servisiranje.

- Koristite samo originalne rezervne delove.

## Skapanje

### Uvod



**UPOZORENJE:** Pre skapanja proizvoda je potrebno da pročitate i razumete poglavlje o bezbednosti.

### Postavljanje štitnika trimera

1. Postavite štitnik trimera nasuprot kućišta motora. (Sl. 28).
2. Postavite vijak kroz kućište motora i štitnik trimera. (Sl. 29)
3. Pritegnite vijak.

### Skapanje trimi glave

1. Okrećite izlaznu osovinu sve dok se otvor na zahvatniku ne poklopi sa odgovarajućim otvorom na kućištu menjača.
2. Stavite trn za osiguranje u otvor tako da se osovina blokira.
3. Okrenite glavu trimera ulevo. (Sl. 30)

### Skapanje kružne drške

1. Postavite zavrtanj u kružnu dršku. (Sl. 31)
2. Postavite kružnu dršku na nastavak na osovini.

3. Pritegnite zavrtnje.
4. Pomerite kružnu u ispravan radni položaj. Pogledajte *Podešavanje kružne drške i teleskopske osovine na stranici 400.*

### Postavljanje štitnika za biljke

1. Postavite štitnik za biljke u otvore na kućištu motora. (Sl. 32)
2. Uverite se da štitnik za biljke može da se slobodno pomera unapred i unazad. (Sl. 33)

### Postavljanje punjača baterije 40-C80 na zid



**OPREZ:** Ne koristite električni šrafciğer za postavljanje punjača baterije na zid. Električni šrafciğer može da ošteti punjač baterija.

1. Postavite punjač baterije na zid pomoću dva zavrtnja (B). Po potrebi koristite tiplove (A). (Sl. 34)
2. Postavite dva tipla za zavrtnje (C).
3. Povežite kabl za napajanje za punjač baterije i mrežnu utičnicu.

## Rukovanje

### Uvod



**UPOZORENJE:** Pre korišćenja proizvoda je potrebno da pročitate i razumete poglavlje o bezbednosti.

### Pre rada sa proizvodom

- Pregledajte radnu oblast kako biste se poznali sa tipom terena. Pregledajte nagib tla i da li postoje prepreke kao što je kamenje, grane i jarci.
- Izvršite opšti pregled proizvoda.
- Izvršite bezbednosne preglede, održavanje i servisiranje koji su dati u ovom priručniku.
- Proverite da li je motor zaprjan ili naprsao. Četkom očistite motor od trave i lišća. Koristite rukavice kada je to neophodno.

- Pregledajte glavu trimera i štitnik priključka za košenje u pogledu oštećenja ili naprsline. Zamenite glavu trimera i štitnik priključka za košenje ako su bili udareni ili ako imaju naprsline.
- Uverite se da su sve navrtke i zavrtnji pritegnuti.
- Uverite se da su svi poklopci, štitnici, ručice i oprema za rezanje ispravno postavljeni i da nisu oštećeni pre pokretanja proizvoda.

### Akumulator



**UPOZORENJE:** Pre korišćenja proizvoda je potrebno da pročitate i razumete poglavlje o bezbednosti. Pročitajte sa razumevanjem korisničko uputstvo za akumulator i punjač akumulatora.

Akumulator i punjač akumulatora čuvajte na odgovarajućoj temperaturi.

	Temperatura sredine
Radni opseg akumulatora	5–40 °C / 41–104 °F
Punjenje akumulatora	5–40 °C / 41–104 °F

## Status baterije

Displej prikazuje status punjenja i da li postoje problemi u vezi sa baterijom.

(Sl. 35)

LED indikator	Status baterije (status napunjenosti)	
	BLI10, BLI20	40-B70, 40-B140
4 LED lampice su uključene	N/A	Baterija je 76% – 100% napunjena.
3 LED lampice su uključene	Baterija je 76% – 100% napunjena.	Baterija je 51% – 75% napunjena.
2 LED lampice su uključene	Baterija je 51% – 75% napunjena.	Baterija je 26% – 50% napunjena.
1 LED lampica je uključena	Baterija je 26% – 50% napunjena.	Baterija je 6% – 25% napunjena.
1 LED lampica trepće	Baterija je 0% – 25% napunjen.	Baterija je 0% – 5% napunjena.

## Punjenje baterije

Napunite bateriju ako je to prvi put da se koristi. Nova baterija je napunjena samo 30%.



**OPREZ:** Povežite punjač baterije na strujnu utičnicu čiji su napon i frekvencija naznačeni na pločici tipa.

Baterija se neće puniti ako je temperatura baterije veća od 50 °C / 122 °F.

1. Povežite kabl za napajanje s punjačem baterije.
2. Povežite punjač baterije na strujnu utičnicu. LED lampica punjenja trepće jedanput. (Sl. 36)
3. Stavite bateriju na punjač baterije. LED lampica punjenja se uključuje. Puniti bateriju najviše 24 sata. (Sl. 37)
4. Pritisnite dume indikatora baterije, ako se svi LED indikator upale, baterija je potpuno napunjena.
5. Povucite strujni utikač da biste isključili punjač baterije sa strujne utičnice. Ne vucite kabl za napajanje.
6. Izvadite bateriju iz punjača baterije.

## Da biste povezali akumulator na proizvod



**UPOZORENJE:** Koristite samo originalan Husqvarna akumulator za proizvod.

1. Napunite akumulator do kraja.
2. Gurnite akumulator u držač akumulatora na proizvodu. Akumulator je u dobrom položaju kad čujete klik. (Sl. 38)



**OPREZ:** Ako je teško staviti akumulator u držač, niste ga pravilno postavili. To može da ošteti proizvod.

## Pokretanje proizvoda

1. Pritisnite i držite dugme za pokretanje/zaustavljanje dok ne zasvetli zelena LED lampica. (Sl. 39)
2. Pritisnite zaključavanje obarača gasa i obarač gasa. Oprema za rezanje počinje da se rotira.

## Podešavanje kružne drške i teleskopske osovine

1. Otpustite blokirajuću dršku i podesite kružnu dršku u odgovarajući položaj. (Sl. 40)
2. Zatvorite blokirajuću dršku .
3. Otpustite ručku na osovini. (Sl. 41)
4. Podesite dužinu osovine. Trokut na osovini mora da bude vidljiv. (Sl. 42)
5. Zatvorite ručku i pritegnite zavrtnaj.

**Napomena:** Ne postavljajte kružnu dršku na nalepnice upozorenja na osovini.

## Korišćenje funkcije SavE

Ovaj proizvod ima funkciju za uštedu energije, SavE.

**Napomena:** Funkcija SavE ne smanjuje moć sečenja proizvoda.

1. Pritisnite dugme SavE na tastaturi.
2. Uverite se da se zelena LED lampica uključila.
3. Ponovo pritisne taster SavE da biste isključili funkciju. Zelena LED lampica se isključuje. (Sl. 43)



## Funkcija automatskog isključivanja

Proizvod ima funkciju isključivanja koja ga isključuje kad se ne koristi. Zelena LED lampica pokretanja/zaustavljanja se isključuje i proizvod se zaustavlja posle 180 sekundi.

## Rad sa proizvodom

### Skraćivanje trave

1. Držite glavu trimera odmah iznad tla i pod uglom. Nemojte pritiskati trimi nit u travu. (Sl. 44)
2. Smanjite dužinu trimi niti za 10–12 cm / 4–4,75 inča.
3. Smanjite brzinu motora da biste smanjili rizik od oštećenja biljaka.
4. Koristite 80% gasa kada kosite travu blizu predmeta. (Sl. 45)

### Čišćenje trave

1. Držite trimi glavu iznad tla.
2. Nagnite trimi glavu.
3. Podrežite krajevima trimi niti oko predmeta u radnoj oblasti.



**OPREZ:** Skraćujte travu. Udaranje trimi niti o druge predmete ubrzava njeno habanje.

### Košenje trave

1. Uverite se da je trimi nit paralelna sa tlom prilikom košenja trave. (Sl. 46)

2. Nemojte pritiskati glavu trimera o tlo. To može prouzrokovati oštećenje proizvoda.
3. Pomerajte proizvod levo-desno prilikom košenja trave. Primenite punu brzinu. (Sl. 47)

### Pometanje trave

Protok vazduha iz rotirajuće trimi niti može se koristiti za uklanjanje isečene trave iz područja.

1. Držite trimi glavu i trimi nit paralelno sa tlom i iznad tla.
2. Primenite pun gas.
3. Pomerajte trimi glavu sa strane u stranu i raščišćavajte travu.



**UPOZORENJE:** Očistite poklopac trimi glave svaki put kada postavljate novu trimi nit kako biste sprečili neravnotežu i vibracije u ručicama. Takođe izvršite pregled drugih delova trimi glave i očistite ih po potrebi.

### Zaustavljanje proizvoda

1. Pustite obarač gasa i zaključavanje obarača gasa.
2. Pritisnite dugme za pokretanje/zaustavljanje dok se ne ugasi zelena LED lampica.
3. Pritisnite dugmad za otpuštanje na akumulatoru i izvadite ga iz proizvoda. (Sl. 48)

### Zamena trimi niti

Pogledajte poslednju stranicu korisničkog uputstva.

## Održavanje

### Uvod



**UPOZORENJE:** Pre održavanja proizvoda je potrebno da pročitate i razumete poglavlje o bezbednosti.

### Šema održavanja



**UPOZORENJE:** Skinite akumulator pre vršenja održavanja.

Sledi lista koraka održavanja koje treba izvršiti na proizvodu. Pogledajte *Održavanje na stranici 401* za više informacija.

Održavanje	Dnevno	Nedeljno	Mesečno
Očistite spoljne površine proizvoda suvom krpom. Ne koristite vodu.	X		
Proverite da li je prekidač za pokretanje/zaustavljanje oštećen i da li pravilno radi.	X		
Uverite se da obarač gasa i zaključavanje obarača gasa rade pravilno po pitanju bezbednosti.	X		

Održavanje	Dnevno	Nedeljno	Mesečno
Uverite se da sve komande rade i da nisu oštećene.	X		
Ručke bi trebalo da budu suve, čiste i bez ostataka ulja i maziva.	X		
Uverite se da nastavak za rezanje nije oštećen. Zamenite nastavak za rezanje ako je oštećen.	X		
Uverite se da štitnik nastavka za rezanje nije oštećen. Zamenite štitnik nastavka za rezanje ako je oštećen.	X		
Uverite se da su zavrtnji i navrtke pritegnuti.	X		
Uverite se da dugmad za otpuštanje na akumulatoru ispravno radi i da zaključava akumulator na proizvod.	X		
Uverite se da punjač akumulatora nije oštećen i da pravilno radi.	X		
Uverite se da akumulator nije oštećen.	X		
Uverite se da je akumulator napunjen.	X		
Uverite se da punjač akumulatora nije oštećen.	X		
Pregledajte sve kablove, spojnice i veze. Uverite se da nisu oštećeni i da nisu zaprljani.		X	
Proverite kontakte između akumulatora i proizvoda. Proverite kontakte između akumulatora i punjača akumulatora.			X

## Pregled akumulatora i punjača akumulatora

1. Pregledajte da li je akumulator oštećen, npr. naprsao.
2. Pregledajte da li je punjač akumulatora oštećen, npr. naprsao.
3. Proverite da kabl za napajanje punjača akumulatora nije oštećen i da na njemu ne postoje naprsline.

## Čišćenje proizvoda, akumulatora i punjača akumulatora

1. Proizvod čistite nakon upotrebe pomoću suve krpe.

2. Za čišćenje akumulatora i punjača akumulatora koristite suhu krpu. Održavajte vođice baterija čistim.
3. Uverite se da su polovi na akumulatoru i punjaču akumulatora čisti pre nego što stavite akumulator u punjač ili u proizvod.

## Pregled i zamena trimi glave

1. Proverite da li je trimi glava oštećena ili naprsla.
2. Izvucite sklop žleba za izbacivanje za trimi nit.
3. Uklonite trimi glavu. (Sl. 49)
4. Zamenite trimi glavu.
5. Sklopите trimi glavu. Pogledajte *Sklopjanje trimi glave na stranici 399*

## Rešavanje problema

### Tastatura

LED ekran	Moguće greške	Moguća rešenja
LED lampica greške trepće.	Preopterećenje	Nastavak za rezanje ne može da se slobodno okreće. Otpustite nastavak za rezanje.
	Odstupanje temperature	Pustite proizvod da se ohladi.
Proizvod ne može da se pokrene.	Pritisnite obarač gasa i dugme za pokretanje u isto vreme.	Otpustite obarač gasa i zaustavite proizvod.

LED ekran	Moguće greške	Moguća rešenja
LED lampica greške se uključuje sa crvenim svetlom.	Neophodno je servisirati proizvod	Obratite se serviseru.

## Akumulator

LED displej	Moguće greške	Moguća radnja
Zelena LED lampica trepće.	Nizak napon akumulatora.	Napunite akumulator.
LED lampica greške trepće.	Odstupanje temperature.	Koristite akumulator na temperaturama između -10 °C (14 °F) i 40 °C (104 °F).
	Preveliki napon.	Uverite se da je napon električne mreže usklađen sa naponom navedenim na pločici tipa proizvoda.
		Izvadite akumulator iz punjača akumulatora.
LED lampica greške je uključena.	Razlika između ćelija je prevelika (1 V).	Obratite se serviseru.

## Punjač baterije

Problem	Moguće greške	Moguće rešenje
LED lampica punjenja svetli crveno.	Trajna greška punjača baterije.	Obratite se prodavcu.
LED lampica punjenja treperi zeleno.	Odstupanje temperature, baterija je previše hladna ili previše vruća za korišćenje ili punjenje.	Pustite da se baterija ohladi ili zagreje. Kada baterija dostigne ispravnu temperaturu, možete je ponovo koristiti ili puniti. Koristite punjač baterija na temperaturama okoline između 5 °C (41 °F) i 40 °C (104 °F).
LED lampica punjenja trepće crveno.	Neispravna baterija.	Obratite se prodavcu.

## Transport, skladištenje i odlaganje

### Transport i skladištenje

- Isporučene litijum-jonske baterije su usaglašene sa zakonskim propisima o opasnoj robi.
- Poštujte specijalne zahteve date na pakovanju i oznakama za komercijalni transport, uključujući i one od trećih strana i špeditera.
- Pre slanja proizvoda se konsultujte sa osobom stručnom za opasne materijale. Poštujte sve važeće državne propise.
- Stavite izolir-traku na gole kontakte kad stavljate bateriju u paket. Bateriju treba tesno upakovati, da bi se sprečilo pomeranje.
- Izvadite bateriju tokom transporta i skladištenja.
- Stavite bateriju i punjač baterije u suv prostor koji ne mrzne.
- Ne čuvajte bateriju tamo gde može doći do statičkog pražnjenja. Ne čuvajte akumulator u metalnoj kutiji.
- Skladištite akumulator samo na mestima na kojima je temperatura okoline između 5 °C / 41 °F i 25 °C / 77 °F i dalje od direktne sunčeve svetlosti.
- Skladištite punjač akumulatora samo na mestima na kojima je temperatura okoline između 5 °C / 41 °F i 45°C / 113 °F i dalje od direktne sunčeve svetlosti.

- Koristite punjač akumulatora samo kad je temperatura okoline između 5 °C / 41°F i 40 °C / 104 °F.
- Napunite bateriju 30% do 50% pre dužeg skladištenja.
- Skladištite punjač baterije na zatvorenom i suvom mestu.
- Držite bateriju van punjača baterije tokom skladištenja. Ne dozvolite da deca i neovlašćene osobe diraju opremu. Čuvajte opremu na mestu koje može da se zaključa.
- Očistite proizvod i izvršite kompletno servisiranje pre nego što uskladištite proizvod na duži vremenski period.
- Koristite štitnik za transport na proizvodu da biste sprečili povrede ili oštećenje proizvoda tokom transporta i skladištenja.

- Pričvrstite proizvod tokom transporta.

## Odbacivanje baterije, punjača baterije i proizvoda

Simboli na proizvodu ili njegovom pakovanju ukazuju na to da ovaj proizvod nije otpad iz domaćinstva. Reciklirajte ga na lokaciji za recikliranje električne i elektronske opreme. Time se čuva životna sredina i zdravlje ljudi.

Stupite u kontakt sa lokalnim vlastima, servisom za otpad iz domaćinstva ili prodavcem za više informacija o recikliranju ovog proizvoda.

## Tehnički podaci

### Tehnički podaci

	<b>215iL</b>
<b>Motor</b>	
Tip motora	BLDC
Brzina izlazne osovine, o/min	6800
Širina košenja, mm	310
<b>Težina</b>	
Težina bez baterije, kg	2,9
<b>Emisija buke</b> <sup>73</sup>	
Nivo zvučne snage, mereno dB (A)	90,5
Nivo zvučne snage, garantovano L <sub>WA</sub> dB (A)	92
<b>Nivoi buke</b> <sup>74</sup>	
Ekvivalent nivoa pritiska zvuka na uho rukovaoca, mereno prema standardu EN ISO 50636-2-91, dB (A)	74,9
<b>Nivoi vibracije</b> <sup>75</sup>	
Nivoi vibracija na ručkama, mereni prema EN50636-2-91, m/s <sup>2</sup>	4,5/2,7
Opremljeno glavom trimera (original), napred/pozadi.	

<sup>73</sup> Emisije buke u životnoj sredini merene kao zvučna snaga (L<sub>WA</sub>) u skladu sa direktivom 2000/14/EZ. Razlika između garantovanog i izmerenog nivoa zvučne snage je da garantovana zvučna snaga takođe obuhvata raspršenje rezultata merenja i razlike između različitih proizvoda istog modela u skladu sa Direktivom 2000/14/EC.

<sup>74</sup> Prijavljeni podaci za ekvivalentni nivo zvučnog pritiska za proizvod uključuju tipično statističko raspršenje (standardno odstupanje) od 2,5 dB (A).

<sup>75</sup> Podaci o nivou vibracije imaju tipičnu statističku disperziju (standardnu devijaciju) od 1,5 m/s<sup>2</sup>.

## Odobrene baterije za proizvod

Baterija	BLI10	BLI20	40-B70	40-B140
Tip	Litijum-jonska		Litijum-jonska	Litijum-jonska
Kapacitet baterije, Ah	Pogledajte nalepnicu tipa baterije		Pogledajte nalepnicu tipa baterije	Pogledajte nalepnicu tipa baterije
Nazivni napon, V	36.	36,5	36.	36.
Težina, lb/kg	0,7	0,7	1,2	1,25

## Odobreni punjači akumulatora za proizvod

Punjač akumulatora	QC80	40-C80
Mrežni napon, V	100–240	100–240
Frekvencija, Hz	50–60	50–60
Snaga, W	100	72
Izlazni napon, V jednosmerne struje/ ampera, A	36/2	43/1,6

---

## Dodaci

---

## Odobrena oprema

Odobrena oprema	Tip	Štitnik priključka za rezanje, br. dela
Trimi glava	R25B (Ø 2 mm kabel)	529 96 69-01

# Deklaracija o usaglašenosti

## EU Deklaracija o usaglašenosti

Mi, **Husqvarna AB**, SE-561 82 Huskvarna, Švedska, tel: +46-36-146500, izjavljujemo pod punom odgovornošću da je proizvod:

<b>Opis</b>	Baterijski trimer za travu
<b>Marka</b>	Husqvarna
<b>Tip/model</b>	215iL
<b>Identifikacija</b>	Serijski brojevi od 2024 i nadalje

su u potpunosti usaglašeni sa sledećim EU direktivama i propisima:

Direktiva/Propis	Opis
2006/42/EC	„koji se odnose na mašine“
2014/30/EU	„koji se odnose na elektromagnetsku kompatibilnost“
2000/14/EC	„koji se odnose na emisiju buke u okruženju“
2011/65/EU	„koji se odnose na ograničenje upotrebe određenih opasnih supstanci u električnoj i elek-tronskoj opremi“

i da su sledeći standardi i/ili tehničke specifikacije primenjeni: EN 60335-1:2012/A15:2021, EN 50636-2-91:2014, EN IEC 63000:2018, EN IEC 55014-1:2021; EN IEC 55014-2:2021.

Ovlašćeno telo: 0197 TÜV Rheinland LGA Products GmbH, Tillystraße 2, 90431 Nürnberg, Germany je sertifikovalo usaglašenost sa direktivom veća 2000/14/EC, postupak za procenu usklađenosti: Aneks VI.

Za informacije o emisiji buke pogledajte *Tehnički podaci na stranici 404*.

Huskvarna, 2024-02-01



Claes Losdal, menadžer sektora za istraživanje i razvoj, Husqvarna AB

Odgovoran za tehničku dokumentaciju



## Innehåll

Introduktion.....	407	Transport, förvaring och kassering.....	418
Säkerhet.....	408	Tekniska data.....	419
Montering.....	413	Tillbehör.....	420
Drift.....	414	Försäkran om överensstämmelse.....	421
Underhåll.....	416	Bilaga .....	454
Felsökning.....	417		

---

## Introduktion

---

### Produktbeskrivning

Husqvarna 215iL är en batteridriven grästrimmer med elmotor.

Arbetet med att öka din säkerhet och effektivitet under användning pågår ständigt. Prata med en serviceverkstad för mer information.

### Avsedd användning

Produkten används med trimmerlinor eller trådar som inte är av metall eller motsvarande flexibla skärdelar

### Produktöversikt

(Fig. 1)

1. Trimmerhuvud
2. Trimmerhuvudets skydd
3. Axel
4. Ratt för axeljustering (teleskop)
5. Loophandtag
6. Knappsats
7. Varningsindikator för knappsats
8. Start-/stoppknapp
9. Knappen SavE
10. Gasreglage
11. Gasreglagespärr
12. Ström- och varningsindikator
13. Koppling
14. Batteriladdare 40-C80
15. Batteriladdare QC80
16. Strömkabel
17. Växtskyddsbygel
18. Varningsindikator för batteri
19. Batteristatus
20. Knappen batterinivåindikator
21. Frigöringsknappar för batteri
22. Batteri
23. Kombinationsverktyg
24. Bruksanvisning

### Symboler på produkten

- (Fig. 2) **WARNING!** Den här produkten kan vara farlig och kan orsaka allvarlig eller livshotande skada för användaren och andra. Var försiktig och använd produkten på rätt sätt.
- (Fig. 3) Läs igenom bruksanvisningen noggrant och se till att du förstär instruktionerna före användning.
- (Fig. 4) Använd ögonskydd.

som inte är av metall. Använd inte produkten för annat än att klippa ogräs, gräs eller liknande mjuk vegetation.

---

**Notera:** Nationella regler kan begränsa användningen av produkten.

---

(Fig. 5) Utsätt inte för regn.

(Fig. 6) Miljömärkning för bulleremission enligt EU- (inklusive lagstiftning för New South Wales) och brittiska direktiv och bestämmelser. Information om bulleremission finns på maskinens etikett och i avsnittet Tekniska data.

(Fig. 7) Håll avstånd till personer i närheten av produkten.

(Fig. 8) Koppla bort batteriet före underhåll.

(Fig. 9) Produkten eller dess förpackning är inte hushållsavfall. Återvinn den vid en återvinningsstation för elektrisk och elektronisk utrustning.

(Fig. 10) Produkten överensstämmer med gällande EU-direktiv.

(Fig. 11) Produkten överensstämmer med gällande brittiska direktiv.

(Fig. 12) Likström.

ååååvxxxx

Typskylten eller laserskriften visar serienumret. **yyyy** är produktionsåret och **ww** är produktionsveckan.

### Symboler på batteriet och/eller på batteriladdaren

(Fig. 16) Återvinn produkten vid en återvinningsstation för elektrisk och elektronisk utrustning. (Gäller endast Europa)

(Fig. 13) Transformator med automatisk säkerhetsanordning.

(Fig. 14) Använd och förvara endast batteriladdaren inomhus.

(Fig. 15) Dubbelisolerad.

- produkten repareras felaktigt
- produkten repareras med delar som inte kommer från tillverkaren eller inte har godkänts av tillverkaren
- produkten har ett tillbehör som inte kommer från tillverkaren eller inte har godkänts av tillverkaren
- produkten inte repareras vid ett godkänt servicecenter eller av en godkänd person.

## Produktskada

Vi ansvarar inte för skador på vår produkt om:

---

## Säkerhet

---

### Säkerhetsdefinitioner

Varningar, försiktighetsåtgärder och anmärkningar används för att betona speciellt viktiga delar i bruksanvisningen.



**VARNING:** Används om det finns risk för skador eller dödsfall för användaren eller kringstående om anvisningarna i bruksanvisningen inte följs.



**OBSERVERA:** Används om det finns risk för skada på produkten, annat material eller det angränsande området om anvisningarna i bruksanvisningen inte följs.

**Notera:** Används för att ge mer information som är nödvändig i en viss situation.

### Allmänna säkerhetsvarningar för elverktyg



**VARNING:** Läs igenom alla säkerhetsinstruktioner och varningar. Om du inte följer varningarna och instruktionerna kan det leda till elektriska stötar, brand och/eller allvarliga skador.

**Notera: Spara alla varningar och instruktioner som referens.** I varningarna syftar termen "elverktyg" på ett verktyg som antingen är anslutet till nätspänningen (med sladd) eller drivs av batteri (sladdöst).

### Kontroll före start

- För att undvika ofrivillig start av produkten ska alltid batteriet avlägsnas. Ta alltid ur batteriet innan du utför underhåll på produkten.
- När produkten har utsatts för stötar reparerar du eventuellt slitage och skador innan du använder den.
- Inspektera arbetsområdet. Avlägsna alla lösa föremål, så som stenar, krossat glas, spikar, ståltråd,

snören med mera, som kan slungas iväg eller sno in sig i kniv eller knivskydd.

- Kontrollera motorn med avseende på smuts och sprickor. Gör motorn ren från gräs och löv med hjälp av en borste. Handskar ska användas när det behövs.
- Kontrollera att trimmerhuvudet sitter fast på trimmern.
- Kontrollera produkten så att den är i fullgott skick. Kontrollera att alla muttrar och skruvar är åtdragna.
- Kontrollera trimmerhuvudet och trimmerskyddet så att de är oskadade och fria från sprickbildning. Byt trimmerhuvud eller trimmerskydd om de utsatts för slag eller har sprickor. Använd alltid rekommenderat skydd för den specifika skärutrustningen. Se kapitel Tekniska data.
- Användare av produkten ska se till att inga människor eller djur kommer närmare än 15 meter under arbetet. När flera användare arbetar på samma område ska säkerhetsavståndet vara minst 15 meter.
- Gör en total kontroll av produkten före användning. Se underhållsschemat.
- Nationella eller lokala föreskrifter kan reglera användningen. Följ givna föreskrifter.

### Säkerhet i arbetsområdet

- **Arbetsområdet ska hållas välordnat och välbelyst.** I röriga eller mörka arbetsområden händer det lätt olyckor.
- **Använd inte elverktyg i explosiva miljöer, t.ex. i närvaro av brandfarliga vätskor, gaser eller damm.** Gnistor från elverktyget kan antända damm eller ångor.
- **Håll barn och åskådare på avstånd när du använder elverktyg.** Om du blir distraherad kan du tappa kontrollen.

### Elsäkerhet

- **Elverktygets stickkontakt måste passa i vägguttaget. Modifiera aldrig stickkontakten på något sätt. Använd inga adapterkontakter med jordade elverktyg.** Oförändrade stickkontakter och motsvarande vägguttag minskar riskerna för elektriska stötar.



- **Undvik kroppskontakt med jordade ytor, t.ex. rör, kylare, spisar och kylskåp.** Risken för elektriska stötar ökar om kroppen är jordad.
- **Utsätt inte elverktyg för regn eller vata.** Om vatten tränger in i elverktyget ökar risken för elektrisk stöt.
- **Använd inte sladden på fel sätt. Använd inte sladden för att bära eller dra elverktyget, eller för att koppla ur elverktyget från uttaget.** Håll sladden borta från värme, olja, vassa kanter och rörliga delar. Skadade eller trassliga sladdar ökar risken för elektriska stötar.
- **När du använder ett elverktyg utomhus ska du även använda en förlängningssladd för utomhusbruk.** Om du använder en sladd för utomhusbruk minskar risken för elektriska stötar.
- **Om det är oundvikligt att köra elverktyget i en fuktig miljö använder du en jordfelsbrytare (RCD).** Med jordfelsbrytare minskar risken för elektriska stötar.

### Personligt skydd

- **Var på din vakt, var uppmärksam på vad du gör och använd sunt förnuft när du använder ett elverktyg. Använd inte elverktyg om du är trött, har druckit alkohol eller om du har tagit droger eller mediciner.** Ett ögonblick av ouppmärksamhet när du använder ett elverktyg kan leda till allvarlig personskada.
- **Använd personlig skyddsutrustning. Bär alltid skyddsglasögon.** Lämplig skyddsutrustning som ansiktsmask, halkfria skyddsskor, hjälm eller hörselskydd minskar risken för personskador.
- **Förebygg att maskinen startar oavsiktligt. Se till att strömbrytaren är frånslagen innan du ansluter elverktyget till en strömkälla och/eller ett batteri samt innan du tar upp eller bär verktyget.** Risken för olyckor är stor om du bär elverktyg med fingret på strömbrytaren eller tillför ström till elverktyg med strömbrytaren påslagen.
- **Ta bort eventuella justeringsnycklar eller skiftnycklar innan du slår på verktyget.** Nycklar som lämnas kvar i elverktygets rörliga delar kan orsaka personskada.
- **Sträck dig inte för långt. Ha alltid ett stadigt fotfäste och god balans.** Det ger dig större kontroll över elverktyget i oväntade situationer.
- **Ta på dig ordentliga arbetskläder. Använd inte löst sittande kläder eller smycken. Håll hår och kläder borta från rörliga delar.** Lösa kläder, smycken och långt hår kan fastna i rörliga delar.
- **Om det finns anordningar för anslutning av enheter för uppsamling av damm, se då till att dessa är ordentligt anslutna och att de används på rätt sätt.** Dammuppsamling kan minska dammrelaterad fara.
- **Tillåt inte dig själv att känna dig för tryggt och bli för avslappnad även om du har erfarenhet av regelbunden användning av verktyg så att du börjar strunta i verktygets säkerhetsprinciper.** En slarvig handling kan orsaka allvarlig skada på mindre än en sekund.
- Vibrationsnivån vid användning av elverktyget kan skilja sig från det angivna totala värdet beroende

på hur verktyget används. Användarna bör fastställa säkerhetsåtgärder för att skydda sig själva som är baserade på en uppskattning av exponeringen vid faktiska användningsförhållanden (med beaktande av alla delar av arbetscykeln, som när verktyget är avstängt, när det går på tomgång och när det används).

### Använda och underhålla elverktyg

- **Bruka inte våld eller onödig kraft. Använd det elverktyg som är rätt för ditt syfte.** Med rätt elverktyg utför du ett bättre och säkrare jobb med den hastighet som elverktyget är utformat för.
- **Använd inte elverktyget om du inte kan starta och stänga av det med strömbrytaren.** Elverktyg som inte kan kontrolleras med strömbrytaren är farliga och måste repareras.
- **Koppla bort kontakten från strömkällan och/eller ta ut batteriet (om det kan tas bort) innan du gör justeringar, byter tillbehör eller förvarar elverktyget.** Sådana förebyggande säkerhetsåtgärder minskar risken för att elverktyget startas oavsiktligt.
- **Förvara elverktyg som inte används utom räckhåll för barn. Se till att personer som inte tidigare har hanterat verktyget, eller som inte har läst instruktionerna, inte använder det.** Elverktyg är farliga om de används av ovana användare.
- **Underhållning av elverktyg och tillbehör. Kontrollera att rörliga delar ligger i linje och inte kärvar. Kontrollera även om det finns skadade delar eller om det föreligger andra förhållanden som kan påverka elverktygets funktion. Om elverktyget är skadat ska det repareras innan det används igen.** Många olyckor sker på grund av att rätt underhåll inte har utförts på elverktyget.
- **Håll kapverktyg skarpa och rena.** Kapverktyg med vassa eggar som underhålls på rätt sätt kärvar mer sällan och är lättare att styra.
- **Använd elverktyget och tillbehör enligt de här instruktionerna. Tänk på att ta hänsyn till arbetsförhållandena och det arbete som ska utföras.** Användning av elverktyg andra syften än de avsedda kan resultera i en farlig situation.
- **Håll handtagen och greppytorna torra, rena och fria från olja och fett.** Hala handtag och greppytor innebär att det inte är säkert att hantera och styra verktyget i oväntade situationer.

### Använda och underhålla batteridrivna verktyg

- **Ladda endast upp med den laddare som anges av tillverkaren.** En laddare som är lämplig för en typ av batteripack kan utgöra en brandrisk när den används med ett annat batteripack.
- **Använd endast produkter med särskilt avsedda batteripack.** Användning av andra batterier kan innebära risk för skada och brand.
- **När batteriet inte används ska du hålla det borta från andra metallföremål, som gem, mynt, nycklar, spikar, skruvar och andra små metallföremål, som kan skapa en anslutning mellan kontakterna.** Kortslutning

av batteriets kontakter kan orsaka brännskador eller brand.

- **Vid felaktig användning kan vätska spruta ut från batteriet. Undvik kontakt. Om kontakt inträffar av misstag ska du skölja med vatten. Om du får vätska i ögonen ska du kontakta vården.** Vätska som sprutar ut från batteriet kan orsaka irritation eller sveda.
- **Använd inte ett batteripack eller ett verktyg som är trasigt eller modifierat.** Skadade eller modifierade batterier kan fungera på ett oväntat sätt vilket kan leda till brand, explosion eller risk för skada.
- **Utsätt inte ett batteripack eller ett verktyg för brand eller extrema temperaturer.** De kan explodera om de utsätts för eld eller temperaturer över 130 °C.
- **Följ alla anvisningar för laddning och ladda inte batteripacket eller verktyget utanför det temperaturintervall som anges i instruktionerna.** Felaktig laddning eller temperaturer utanför det specificerade intervallet kan skada batteriet och öka risken för brand.

## Service

- **Låt en kvalificerad reparatör som endast använder identiska reservdelar underhålla elverktyget.** På så sätt garanterar du att säkerheten kring ditt elverktyg upprätthålls.
- **Utför aldrig underhåll på skadade batteripack.** Underhåll på batteripack bör endast utföras av tillverkaren eller auktoriserade tjänsteleverantörer.

## Använd alltid sunt förnuft

Det är omöjligt att täcka alla tänkbara situationer du kan ställas inför. Var alltid försiktig och använd sunt förnuft. Undvik situationer som du anser dig otillräckligt kvalificerad för. Om du efter att ha läst dessa instruktioner fortfarande känner dig osäker angående tillvägagångssätt ska du rådfråga en expert innan du fortsätter.



**VARNING:** Tillåt aldrig barn att använda eller vara i närheten av maskinen. Eftersom maskinen är lätt att starta kan barn starta den om de inte hålls under uppsikt. Detta kan innebära risk för allvarlig personskada. Avlägsna därför alltid batteriet när maskinen inte är under uppsikt.

## Allmänna säkerhetsanvisningar



**VARNING:** Läs varningsinstruktionerna nedan innan du använder produkten.

- För att undvika ofrivillig start av maskinen ska batteriet avlägsnas.
- Denna produkt är ett farligt verktyg om du inte är försiktig eller om du använder produkten felaktigt. Den här produkten kan orsaka allvarlig eller livshotande skada för användaren och andra.

- Använd inte produkten om den ändras från dess första specifikation. Byt inte ut en del av produkten utan tillverkarens godkännande. Använd endast reservdelar som godkänts av tillverkaren. Felaktigt underhåll kan leda till skador eller dödsfall.
- Kontrollera produkten före användning. Se *Kontroll före start på sida 408* och *Innan du använder produkten på sida 414*. Använd inte en produkt som har skador eller inte fungerar korrekt. Utför de säkerhets-, underhålls- och serviceinstruktioner som beskrivs i denna bruksanvisning.
- Barn ska övervakas för att garantera att de inte leker med produkten. Låt aldrig barn eller andra personer som inte utbildats i handhavande av produkten och/eller batteriet använda eller underhålla den. Lokala föreskrifter kan reglera användarens ålder.
- Förvara produkten i ett låst utrymme för att förhindra åtkomst för barn eller personer som inte är behöriga.
- Förvara produkten oåtkomlig för barn.
- Enhetens ursprungliga utformning får inte under några omständigheter ändras utan tillstånd från tillverkaren. Använd alltid originaltillbehör. Ändringar och/eller tillbehör som inte är godkända kan medföra allvariga personskador eller dödsfall för användaren och andra.

**Notera:** Nationella eller lokala lagar kan reglera användningen. Följ givna föreskrifter.

## Säkerhetsinstruktioner för drift



**VARNING:** Läs varningsinstruktionerna nedan innan du använder produkten.

- **Använd inte maskinen i dåligt väder, i synnerhet inte vid risk för blixtnedslag.** Det minskar risken att träffas av blixten.
- **Kontrollera om det finns vilda djur i området där maskinen ska användas.** Vilda djur kan skadas av maskinen under drift.
- **Kontrollera noga området där maskinen ska användas och ta bort alla stenar, grejar, kablar, ben och andra främmande föremål.** Utslungade föremål kan orsaka personskador.
- **Innan du använder maskinen ska du alltid inspektera den visuellt för att kontrollera att klingan och klingenheten inte är skadade.** Defekta delar ökar skaderisken.
- **Se till att skydden sitter på plats. Skydden måste vara i funktionsdugligt skick och vara korrekt monterade.** Skydd som är lösa, skadade eller inte fungerar som de ska kan leda till personskador.
- **Håll alla kallluftsintag borta från skräp.** Blockerade luftintag och skräp kan leda till överhettning eller brandrisk.
- **Bär ögonskydd och hörselskydd.** Adekvat skyddsutrustning minskar risken för personskador.

- **Använd alltid helsäkra skyddsskor när du använder maskinen. Använd aldrig maskinen barfota eller med öppna sandaler.** Detta minskar risken för skador på fötterna av den rörliga klingan.
- **Använd alltid kläder som täcker hela benen när du använder maskinen, till exempel byxor.** Kontakt med den rörliga klingan eller linan kan orsaka skador.
- **Håll kringstående personer på avstånd när du använder maskinen.** Skräp som slungas iväg kan orsaka allvarliga personskador.
- **Kör inte maskinen över midjehöjd.** Detta hjälper till att förhindra oavsiktlig kontakt med klingan och ger ökad kontroll över maskinen i oväntade situationer.
- **Var försiktig när du använder maskinen i vått gräs. Gå – spring aldrig.** Detta minskar risken för att halka och falla, som kan leda till personskador.
- **Kör inte maskinen i för branta lutningar.** Detta minskar risken för att du tappar kontrollen, halkar eller ramlar, som kan resultera i personskador.
- **När du arbetar i lutningar ska du alltid stå stadigt, alltid arbeta tvärs över lutningen snarare än uppifrån och ner och vara oerhört försiktig när du byter riktning.** Detta minskar risken för att du tappar kontrollen, halkar och ramlar, som kan leda till personskador.
- **Håll alla nåtsladdar borta från arbetsområdet.** Det kan finnas dolda nåtsladdar i häckar eller buskar som du kan råka skära av eller skada med klingan.
- **Håll alla delar av kroppen borta från den rörliga klingan eller linan. Rensa inte material från maskinen förrän den har kopplats bort från strömkällan.** Den rörliga klingan eller linan kan orsaka allvarliga personskador.
- **Se till att maskinen är avstängd när du bär den och håll den borta från kroppen.** Korrekt hantering av maskinen minskar risken för oavsiktlig kontakt med den rörliga klingan eller linan.
- **Byt endast till klipphuvuden och klingor eller linor som specificeras av tillverkaren. Byt inte ut klingan eller linan mot linor eller klingor i metall.** Felaktiga reservdelar kan orsaka förlust av kontroll, haveri och skador.

### Personlig skyddsutrustning



**WARNING:** Läs varningsinstruktionerna nedan innan du använder produkten.

- Använd alltid godkänd personlig skyddsutrustning när du använder produkten. Personlig skyddsutrustning kan inte eliminera skaderisken helt, men den reducerar effekten av en skada vid ett eventuellt olyckstillbud. Be din återförsäljare om hjälp med att välja rätt utrustning.
  - Använd godkända hörselskydd.
- (Fig. 17)
- Använd godkänt ögonskydd. Används visir måste även godkända skyddsglasögon användas.

Godkända skyddsglasögon måste uppfylla standarden ANSI Z87.1 i USA och SS-EN 166 i EU-länder.

(Fig. 18)

- Använd handskar vid behov, till exempel när du ansluter, undersöker eller rengör skärutrustningen.
- (Fig. 19)
- Använd skyddskängor med stålhatta och halkfri sula.
- (Fig. 20)
- Ha på dig kläder i slitstarkt material. Bär alltid kraftiga långbyxor och överdel med långa ärmor. Använd inte löst sittande kläder som kan fastna i kvistar och grenar. Använd inte smycken, korta byxor eller sandaler. Gå inte barfota. Sätt upp håret ordentligt så att det inte hänger nedanför axlarna.
  - Ha första förband nära till hands.

(Fig. 21)

### Säkerhetsanordningar på produkten



**WARNING:** Läs varningsinstruktionerna nedan innan du använder produkten.

I detta avsnitt beskrivs produktens säkerhetsfunktioner, dess syfte samt hur kontroller och underhåll ska utföras för att säkerställa att den fungerar korrekt. Se anvisningar under rubrik *Introduktion på sida 407* för att ta reda på var dessa delar finns på din produkt.

Produktens livslängd kan förkortas och risken för olyckor kan öka om underhåll av produkten inte utförs på rätt sätt och om service och/eller reparationer inte utförs av specialutbildade tekniker. Kontakta din serviceverkstad om du behöver ytterligare information.



**WARNING:** Använd aldrig en produkt med skadade säkerhetskomponenter. Produktens säkerhetsutrustning ska kontrolleras och underhållas som beskrivs i detta avsnitt. Om din produkt inte klarar alla kontrollerna ska serviceverkstad uppsökas för reparation.



**OBSERVERA:** All service och reparation av maskinen kräver specialutbildning. Detta gäller särskilt maskinens säkerhetsutrustning. Om maskinen inte klarar någon av nedan listade kontroller ska du uppsöka en serviceverkstad. Ett köp av någon av våra produkter garanterar att du kan få en fackmannamässig reparation och service utförd. Om inköpsstället för maskinen inte är en av våra serviceverkstäder ska du fråga dem efter närmaste serviceverkstad.

### Kontrollera knappsatsen

- Tryck in och håll start-/stoppknappen (A) intryckt. (Fig. 22)
  - Produkten är påslagen när lysdioden (B) lyser.
  - Produkten är avstängd när lysdioden (B) är släckt.
- Se *Knappsats på sida 417* om varningsindikatorn (C) lyser eller blinkar.

### Kontrollera gasreglagespärren

Gasreglagespärren förhindrar oavsiktlig start. När du trycker på gasreglagespärren (A) frikopplas gasreglaget (B). När greppet om handtaget släpps återgår både gasreglaget och gasreglagespärren till sina respektive ursprungslägen. (Fig. 23)

- Se till att gasreglaget är låst när gasreglagespärren är i sitt ursprungsläge. (Fig. 24)
- Tryck på gasreglaget och se till att det går tillbaka till sitt ursprungliga läge när du släpper det. (Fig. 25)
- Kontrollera att gasreglaget och gasreglagespärren rör sig fritt och att deras retur fjädersystem fungerar. (Fig. 26)
- Starta produkten. Se *Starta produkten på sida 415*.
- Ge full gas.
- Släpp gasreglaget och se till att skärutrustningen stannar helt.

### Kontrollera skärutrustningens skydd



**VARNING:** Använd inte skärutrustningen utan ett godkänt skydd som monterats korrekt på skärutrustningen. Använd alltid det rekommenderade skärutrustningsskyddet för den skärutrustning som du använder. Se *Tekniska data på sida 419*. Om fel eller defekt skydd för skärutrustningen monteras, kan det orsaka allvarlig personskada.

Skärutrustningens skydd stoppar föremål som slungas ut mot användaren. Skärutrustningsskyddet förhindrar även skador som kan inträffa om du vidrör skärutrustningen.

- Stanna motorn.
- Kontrollera visuellt om det finns skador, till exempel sprickor.
- Byt ut skärutrustningen om den är skadad.

### Skärutrustning

Välj rätt skärutrustning och utför underhåll på skärutrustningen för att:

- Få maximala skärprestanda.
- Öka livslängden på skärutrustningen.



**VARNING:** Använd endast skärutrustning tillsammans med det skydd som vi rekommenderar! Uppsök *Tekniska data på sida 419*. Se skärutrustningens anvisningar för korrekt laddning av trimmerlina och val av rätt diameter på trimmerlinan.



**VARNING:** En skadad skärutrustning kan öka risken för olyckor.



**VARNING:** Stoppa alltid motorn innan du arbetar med något på skärutrustningen. Den fortsätter att rotera när du släpper gasreglaget. Se till att skärutrustningen har stannat helt och ta bort tändhatten innan du börjar med något arbete på den.

### Trimmerhuvud



**VARNING:** Se alltid till att trimmerlinan lindas hårt och jämnt runt trumman för att förhindra skadliga vibrationer.

(Fig. 27)

- Använd endast rekommenderade trimmerhuvuden och trimmerlinor.
- Använd endast rekommenderade skärutrustningar.
- Mindre maskiner fordrar små trimmerhuvuden och vice versa.
- Trimmerlinans längd är viktig. En längre trimmertråd fordrar större motorstyrka än en kort, vid samma diameter på trimmerträden.
- Se till att den kniv som sitter på trimmerskyddet är intakt. Den används för att skära av trimmerlinan till rätt längd.
- Blötlägg trimmerlinan i vatten ett par dagar före användning för att öka livslängden.

### Batterisäkerhet



**VARNING:** Läs varningsinstruktionerna nedan innan du använder produkten.

- Använd endast batterier i BLi-serien och 40-B-serien. Mer information finns i *Tekniska data på sida 419*. Batteriet har krypterad programvara.
- Använd endast laddningsbara batterier för BLi-serien och 40-B-serien som strömförsörjning för relaterade Husqvarna-produkter. På grund av risken för skador ska du inte använda batteriet som strömkälla för andra enheter.
- Risk för elektrisk stöt. Anslut inte batteripolerna till nycklar, mynt, skruvar eller andra metallföremål. Det kan orsaka kortslutning i batteriet.

- Använd inte batterier som inte är laddningsbara.
- Placera inte föremål i luftspringorna på batteriet.
- Håll batteriet borta från direkt solljus, värme och öppen eld. Batteriet kan orsaka brännskador och/eller kemiska brännskador.
- Håll batteriet borta från regn och fuktiga förhållanden.
- Håll batteriet borta från mikrovågor och högt tryck.
- Försök inte ta isär eller krossa batteriet.
- Om batteriet läcker ska du inte låta vätskan komma i kontakt med huden eller ögonen. Om du har rört vid vätskan ska du rengöra området med stora mängder vatten och tvål och kontakta läkare. Om du får vätska i ögonen ska du inte gnugga, utan spola med vatten i minst 15 minuter och kontakta läkare.
- Använd batteriet vid temperaturer mellan  $-10\text{ °C}$  ( $14\text{ °F}$ ) och  $40\text{ °C}$  ( $114\text{ °F}$ ).
- Rengör inte batteriet eller batteriladdaren med vatten. Se *Rengöra produkten, batteriet och batteriladdaren på sida 417*.
- Använd inte ett defekt eller skadat batteri.
- Håll batterier som förvaras borta från metallföremål, exempelvis spikar, skruvar och smycken.
- Håll batteriet utom räckhåll för barn.

## Säkerhet, batteriladdare



**WARNING:** Läs varningsinstruktionerna nedan innan du använder produkten.

- Risk för elektriska stötar eller kortslutning om säkerhetsinstruktionerna inte följs.
- Använd inte andra batteriladdare än den som medföljde produkten. Använd endast QC80- och 40-C80-laddare när du laddar utbytesbatterier för BLI-serien och 40-B-serien.
- Försök inte plocka isär batteriladdaren.
- Använd aldrig defekta eller skadade batteriladdare.
- Lyft inte batteriladdaren i nätsladden. Koppla bort batteriladdaren från eluttaget genom att dra i kontakten. Dra inte i nätsladden.
- Ha inga sladdar och skarvsladdar nära vatten, olja och skarpa kanter. Var uppmärksam så att inte sladden kläms i dörrar, stängsel eller liknande.
- Använd inte batteriladdaren nära brandfarliga material eller material som kan orsaka korrosion.

Se till att batteriladdaren inte är övertäckt. Dra ut stickkontakten till batteriladdaren vid rökutveckling eller brand.

- Ladda endast batteriet inomhus där den inte utsätts för solljus och på en plats med bra luftflöde. Ladda inte batteriet utomhus. Ladda inte batteriet vid fuktiga förhållanden.
- Använd endast batteriladdaren i temperaturer mellan  $5\text{ °C}$  ( $41\text{ °F}$ ) och  $40\text{ °C}$  ( $104\text{ °F}$ ). Använd laddaren i en miljö med bra luftflöde, som är torr och fri från damm.
- Placera inte föremål i kylningsöppningar på batteriladdaren.
- Anslut inte batteriladdarens kontakter till metallföremål eftersom batteriladdaren kan kortslutas.
- Använd godkända eluttag som inte är skadade. Se till att batteriladdarens sladd inte är skadad. Om förlängningssladd används, se till att den inte är skadad.
- Ladda aldrig batterier som inte är laddningsbara i batteriladdaren.

## Säkerhetsinstruktioner för underhåll



**WARNING:** Läs varningsinstruktionerna nedan innan du utför underhåll på produkten.

- Ta ur batteriet innan du utför underhåll, övriga kontroller eller monterar produkten.
- Användaren får endast utföra underhålls- och servicearbeten som beskrivs i denna bruksanvisning. Vänd dig till en serviceverkstad för underhåll och service av större omfattning.
- Rengör inte batteriet eller batteriladdaren med vatten. Starka rengöringsmedel kan orsaka skador på plasten.
- Om du inte utför underhåll minskar produktens livscykel och risken för olyckor ökar.
- Särskild utbildning krävs för allt service- och reparationsarbete, särskilt för produktens säkerhetsanordningar. Om inte alla kontroller i den här bruksanvisningen är godkända efter att du gjort underhåll ska du kontakta din serviceverkstad. Vi garanterar att det finns professionella reparationer och service tillgängliga för din produkt.
- Använd endast originaltillbehör.

## Montering

### Introduktion



**WARNING:** Läs och förstå säkerhetskapitlet innan du monterar produkten.

### Fästa trimmerskyddet

1. Placera trimmerskyddet mot motorhuset. (Fig. 28).
2. Montera bulten genom motorhöljet och trimmerskyddet. (Fig. 29)
3. Dra åt bulten.

## Montera trimmerhuvudet

1. Vrid den utgående axeln tills hålet i medbringarthjulet är mitt för hålet i växelhuset.
2. För in låspinnen i hålet så att riggröret låses.
3. Vrid trimmerhuvudet moturs. (Fig. 30)

## Så monterar du loophandtaget

1. Montera skruven i loophandtaget. (Fig. 31)
2. Montera loophandtaget på fästet på riggröret.
3. Dra åt skruvarna.
4. Justera loophandtaget till korrekt läge. Se *Justera loophandtaget och det teleskopiska riggröret på sida 415*.

## Montera växtskyddsbygel

1. Montera växtskyddsbygeln i hålen på motorhöljet. (Fig. 32)

2. Se till att växtskyddsbygeln kan röra sig fritt framåt och bakåt. (Fig. 33)

## Montera batteriladdaren 40-C80 på väggen



**OBSERVERA:** Använd inte en elektrisk skruvmejsel för att montera batteriladdaren på väggen. En elektrisk skruvmejsel kan skada batteriladdaren.

1. Montera batteriladdaren på väggen med de två skruvarna (B). Använd väggpluggar (A) vid behov. (Fig. 34)
2. Montera de två skruvhälspluggarna (C).
3. Anslut batteriladdarens nätsladd till ett vägguttag.

## Drift

### Introduktion



**VARNING:** Läs och förstå säkerhetskapitlet innan du använder produkten.

### Innan du använder produkten

- Undersök arbetsområdet för att se till att du vet vilken typ av terräng det är. Undersök markens lutning och om det finns hinder såsom stenar, grenar och diken.
- Gör en allmän inspektion av produkten.
- Utför säkerhetsinspektioner, underhåll och service enligt den här bruksanvisningen.
- Kontrollera motorn med avseende på smuts och sprickor. Använd en borste för ta bort gräs och löv från motorn. Använd handskar när det är nödvändigt.
- Undersök om trimmerhuvudet och skärutrustningens skydd har skador eller sprickor. Byt ut trimmerhuvudet och skärutrustningens skydd om de har träffats av något eller om de har sprickor.
- Se till att alla skruvar och muttrar är åtdragna.
- Se till att alla kåpor, skydd, handtag och skärutrustning är korrekt anslutna och inte skadade innan du startar produkten.

### Batteri



**VARNING:** Läs och förstå säkerhetskapitlet innan du använder batteriet. Läs noga igenom bruksanvisningen som medföljer batteriet och batteriladdaren.

Förvara batteriet och batteriladdaren i rätt omgivningstemperatur.

	Omgivningstemperatur
Användning av batteri	5 °C–40 °C
Laddning av batteri	5 °C–40 °C

### Batteristatus

Displayen visar laddningsstatusen och om det föreligger problem med batteriet.

(Fig. 35)

LED-kontrollampa	Batteristatus (laddningsstatus)	
	BLi10, BLi20	40-B70, 40-B140
Fyra lysdioder lyser	Ej tillämpligt	Batteriet är 76 %–100 % laddat.
Tre lysdioder lyser	Batteriet är 76 %–100 % laddat.	Batteriet är 51 %–75 % laddat.
Två lysdioder lyser	Batteriet är 51 %–75 % laddat.	Batteriet är 26 %–50 % laddat.

LED-kontrollampa	Batteristatus (laddningsstatus)	
	BLi10, BLi20	40-B70, 40-B140
En lysdiod lyser	Batteriet är 26 %–50 % laddat.	Batteriet är 6 %–25 % laddat.
En lysdiod blinkar	Batteriet är 0%–25 % laddat.	Batteriet är 0 %–5 % laddat.

## Ladda batteriet

Ladda batteriet om det är första gången du använder det. Ett nytt batteri är endast 30 % laddat.



**OBSERVERA:** Anslut batteriladdaren till den spänning och frekvens som anges på typskylten.

Batteriet laddas inte om batteritemperaturen överstiger 50 °C.

1. Anslut strömkabeln till batteriladdaren.
2. Anslut batteriladdaren till ett jordat nätuttag. Laddningslampan blinkar en gång. (Fig. 36)
3. Anslut batteriet till batteriladdaren. Den gröna lampan tänds. Ladda batteriet i högst 24 timmar. (Fig. 37)
4. Tryck på batteriindikatorknappen. Om alla kontrollampor tänds är batteriet fulladdat.
5. Dra ut nätkontakten för att koppla bort batteriladdaren från nätuttaget. Dra inte i nätsladden.
6. Ta ut batteriet ur batteriladdaren.

## Ansluta batteriet till produkten



**VARNING:** Använd endast originalbatteriet Husqvarna för produkten.

1. Ladda batteriet fullt.
2. Skjut in batteriet i produktens batterihållare. Batteriet läses på plats när du hör ett klickljud. (Fig. 38)



**OBSERVERA:** Om batteriet inte går enkelt in i batterihållaren är det inte korrekt installerat. Det kan orsaka skador på produkten.

## Starta produkten

1. Håll start-/stoppknappen intryckt tills den gröna lysdioden tänds. (Fig. 39)
2. Tryck på gasreglagespärren och gasreglaget. Skärutrustningen börjar rotera.

## Justera loophandtaget och det teleskopiska riggröret

1. Lossa på låsvredet och justera loophandtaget till önskat läge. (Fig. 40)

2. Stäng låshandtaget.
3. Lossa spaken på riggröret. (Fig. 41)
4. Ställ in den nödvändiga längden på riggröret. Se till att du kan se triangeln på röret. (Fig. 42)
5. Stäng spaken och dra åt skruven.

**Notera:** Placera inte slinghandtaget på varningsdekalerna på riggröret.

## Använda SavE-funktionen

Den här produkten har en energisparfunktion, SavE.

**Notera:** SavE-funktionen minskar inte produktens klippkraft.

1. Tryck på SavE-knappen på knappsatsen.
2. Kontrollera att den gröna lysdioden tänds.
3. Tryck på SavE-knappen igen för att koppla från funktionen. Den gröna lampan slocknar. (Fig. 43)

## Automatisk avstängningsfunktion

Produkten har en avstängningsfunktion som stoppar produkten om den inte används. Den gröna lysdioden för start/stopp-indikering släcks och produkten stannar efter 180 sekunder.

## Använda produkten

### Klipa gräset

1. Håll trimmerhuvudet strax ovanför marken och luta det. Tryck inte ned trimmerlinan i gräset. (Fig. 44)
2. Minska längden på trimmerlinan med 10–12 cm.
3. Minska motorns varvtal för att minska risken för skador på växter.
4. Använd 80 % gas när du klipper gräset nära föremål. (Fig. 45)

### Rensa gräs

1. Håll trimmerhuvudet ovanför marken.
2. Luta trimmerhuvudet.
3. Klipp med trimmerlinans ände runt föremål i arbetsområdet.



**OBSERVERA:** Klipp gräset. Andra föremål som träffas av trimmerlinan ökar slitaget på trimmerlinan.

## Klippa gräset

1. Se till att trimmerlinan är parallell med marken när du klipper gräset. (Fig. 46)
2. Tryck inte ned trimmerhuvudet mot marken. Det kan orsaka skador på produkten.
3. För produkten från sida till sida när du klipper gräset. Använd fullt varvtal. (Fig. 47)

## Sopa gräset

Luffflödet från den roterande trimmerlinan kan användas för att ta bort klippt gräs från ett område.

1. Håll trimmerhuvudet och trimmerlinan parallellt mot och ovanför marken.
2. Ge fullgas.
3. För trimmerhuvudet från sida till sida och sopa bort gräset.



**VARNING:** Rengör trimmerhuvudets kåpa varje gång du monterar ny trimmerlina för att förhindra obalans och vibrationer i handtagen. Gör även en kontroll av andra delar av trimmerhuvudet och rengör det vid behov.

## Stoppa produkten

1. Släpp gasreglaget och gasreglagespärren.
2. Tryck på start-/stoppknappen tills den gröna lysdioden slocknar.
3. Tryck på frigöringsknapparna på batteriet och ta ut batteriet från produkten. (Fig. 48)

## Så byter du trimmerlinan

Se sista sidan i den här användarhandboken.

# Underhåll

## Introduktion



**VARNING:** Läs och förstå säkerhetskapitlet innan du utför underhåll på produkten.

Nedan följer en lista över de underhållssteg som ska utföras på produkten. För mer information, se *Underhåll på sida 416*.

## Underhållsschema



**VARNING:** Ta bort batteriet innan du utför underhåll.

Underhåll	Dagligen	Varje vecka	Varje månad
Rengör produktens yttre delar med en torr trasa. Använd inte vatten.	X		
Se till att start-/stoppknappen fungerar som den ska och inte är defekt.	X		
Kontrollera att gasreglaget och gasreglagespärren fungerar korrekt säkerhetsmässigt.	X		
Se till att samtliga kontroller fungerar och inte är skadade.	X		
Håll handtagen torra, rena och fria från olja och fett.	X		
Se till att skärutrustningen inte är skadad. Byt ut skärutrustningen om den är skadad.	X		
Se till att skärutrustningens skydd inte är skadat. Byt ut skärutrustningen om den är skadad.	X		
Se till att skruvar och muttrar är åtdragna.	X		
Se till att frigöringsknapparna på batteriet fungerar och låser fast batteriet i produkten.	X		
Kontrollera att batteriladdaren fungerar korrekt och inte är skadad.	X		



Underhåll	Dagligen	Varje vecka	Varje månad
Se till att batteriet inte är skadat.	X		
Se till att batteriet är laddat.	X		
Se till att batteriladdaren inte är skadad.	X		
Undersök alla kablar, kopplingar och anslutningar. Se till att de inte är skadade eller smutsiga.		X	
Kontrollera anslutningarna mellan batteriet och produkten. Kontrollera anslutningen mellan batteriet och batteriladdaren.			X

## Undersöka batteriet och batteriladdaren

1. Undersök om batteriet har skador, till exempel sprickor.
2. Undersök om batteriladdaren har skador, till exempel sprickor.
3. Kontrollera att anslutningssladden till batteriladdaren är oskadad och att inga sprickor finns.

## Rengöra produkten, batteriet och batteriladdaren

1. Rengör produkten med en torr trasa efter användning.
2. Rengör batteriet och batteriladdaren med en torr trasa. Håll batteriets styrspår rena.

3. Kontrollera att kontakterna på batteriet och batteriladdaren är rena innan batteriet sätts i batteriladdaren eller i produkten.

## Inspektera och byta ut trimmerhuvudet

1. Kontrollera om trimmerhuvudet har skador eller sprickor.
2. Dra ut trimmerlinas utkastarenhet.
3. Ta bort trimmerhuvudet. (Fig. 49)
4. Byt ut trimmerhuvudet.
5. Montera trimmerhuvudet. *Se Montera trimmerhuvudet på sida 414.*

## Felsökning

### Knappsats

LED-skärm	Eventuella fel	Möjliga lösningar
Lysdioden för fel blinkar.	Överbelastning	Skärutrustningen kan inte röra sig fritt. Frigör skärutrustningen.
	Temperaturavvikelse	Låt produkten svalna.
Produkten startar inte.	Tryck på gasreglaget och tryck samtidigt på startknappen.	Släpp gasreglaget och stoppa produkten.
Lysdioden för fel tänds med rött ljus.	Man måste utföra service på produkten	Vänd dig till en serviceverkstad.

### Batteri

LED-display	Eventuella fel	Möjlig åtgärd
Den gröna lysdioden blinkar.	Låg batterispänning.	Ladda batteriet.

LED-display	Eventuella fel	Möjlig åtgärd
Lysdioden för fel blinkar.	Temperaturavvikelse.	Använd batteriet vid temperaturer mellan -10°C (14°F) och 40°C (104°F).
	För hög spänning.	Se till att nätspänningen är i linje med det värde som anges på produktens typskylt. Ta ut batteriet ur batteriladdaren.
Lysdioden för fel lyser.	För stor batteriskillnad (1 V).	Vänd dig till en serviceverkstad.

## Batteriladdare

Problem	Eventuella fel	Möjlig lösning
Laddningslampan lyser rött.	Permanent batteriladdarfel.	Prata med en återförsäljare.
Laddningslampan blinkar grönt.	Temperaturavvikelse: batteriet är för kallt eller varmt för att användas eller laddas.	Låt batteriet svalna eller vänta tills det har blivit varmare. När batteriet har rätt temperatur kan du använda och ladda det. Använd batteriladdaren i omgivningstemperaturer mellan 5 °C (41 °F) and 40 °C (104 °F).
Laddningslampan blinkar rött.	Trasigt batteri.	Prata med en återförsäljare.

## Transport, förvaring och kassering

### Transport och förvaring

- Medföljande litiumjonbatterier uppfyller kraven i lagstiftningen för farligt gods.
- Följ de särskilda kraven för förpackning och etiketter för kommersiella transporter, inklusive av tredje parter och speditörer.
- Tala med en person med särskild utbildning i farliga material innan du skickar produkten. Följ alla tillämpliga nationella föreskrifter.
- Använd tejp på öppna kontakter när du lägger batteriet i en förpackning. Lägg batteriet trångt i förpackningen för att förhindra rörelse.
- Ta ur batteriet vid förvaring eller transport.
- Placera batteriet och batteriladdaren i ett utrymme som är torrt och fritt från fukt och frost.
- Förvara inte batteriet på ställen där statisk elektricitet kan uppkomma. Förvara inte batteriet i en metallåda.
- Förvara batteriet på en plats där temperaturen är mellan 5 och 25 °C, och inte i direkt solljus.
- Förvara batteriladdaren på en plats där temperaturen är mellan 5 och 45 °C, och inte i direkt solljus.
- Använd endast batteriladdaren när omgivningstemperaturen är mellan 5 och 40 °C.

- Ladda batteriet till 30–50 % innan du förvarar det under längre perioder.
- Förvara batteriladdaren på en plats som är stängd och torr.
- Håll batteriet borta från laddaren under förvaring. Låt inte barn och personer som inte är godkända röra utrustningen. Förvara utrustningen på en plats som du kan låsa.
- Rengör produkten och gör en fullständig service innan du ska förvara produkten under en längre tid.
- Använd transportskydd på produkten för att förhindra personsador eller skador på produkten under transport och förvaring.
- Sätt fast produkten under transport.

### Avyttring av batteriet, laddaren och produkten

Symbolerna på produkten eller dess förpackning indikerar att denna produkt inte får hanteras som hushållsavfall. Återvinn den vid en återvinningsstation för elektrisk och elektronisk utrustning. Detta bidrar till att förhindra skador på miljön och personsador.

Kontakta lokala myndigheter, hushållsavfallsservice eller en återförsäljare för mer information om hur produkten kan återvinnas.

## Tekniska data

### Tekniska data

	<b>215IL</b>
<b>Motor</b>	
Motortyp	BLDC
Varvtal på utgående axel, varv/min	6 800
Klippbredd, mm	310
<b>Vikt</b>	
Vikt utan batteri, kg	2,9
<b>Bulleremission</b> <sup>76</sup>	
Ljudeffektnivå, uppmätt dB(A)	90,5
Ljudeffektnivå, garanterad L <sub>WA</sub> dB(A)	92
<b>Bullelnivåer</b> <sup>77</sup>	
Ekvivalent ljudtrycksnivå vid användarens öra, uppmätt enligt EN ISO 50636-2-91, dB (A)	74,9
<b>Vibrationsnivåer</b> <sup>78</sup>	
Vibrationsnivåer i handtag, uppmätt enligt EN50636-2-91, m/s <sup>2</sup>	4,5/2,7
Utrustad med trimmerhuvud (original), fram / bak.	

### Godkända batterier för produkten

Batteri	BLi10		BLi20		40-B70	40-B140
Typ	Litiumjonbatteri		Litiumjonbatteri		Litiumjonbatteri	Litiumjonbatteri
Batterikapacitet, Ah	Se batteritypskylten		Se batteritypskylten		Se batteritypskylten	Se batteritypskylten
Nominell spänning, V	36	36,5	36	36,5	36	36
Vikt, lb/kg	0,7	0,7	1,2	1,2	0,8	1,25

<sup>76</sup> Bulleremission till omgivningen uppmätt som ljudeffekt (L<sub>WA</sub>) enligt EG-direktiv 2000/14/EG. Skillnaden mellan garanterad och uppmätt ljudeffekt är att den garanterade ljudeffekten också inkluderar spridning i mätresultatet och variationen mellan olika produkter av samma modell enligt direktiv 2000/14/EG.

<sup>77</sup> Rapporterade data för ekvivalent ljudtrycksnivå för produkten har en typisk statistisk spridning (standardavvikelse) på 2,5 dB(A).

<sup>78</sup> Rapporterade data för vibrationsnivå har en typisk statistisk spridning (standardavvikelse) på 1,0 m/s<sup>2</sup>.

## Godkända batteriladdare för produkten

Batteriladdare	QC80	40-C80
Nätspänning, V	100–240	100–240
Frekvens, Hz	50–60	50–60
Effekt, W	100	72
Utspänning, V d. c./ Ampere, A	36/2	43/1,6

---

## Tillbehör

---

## Godkända tillbehör

Godkända tillbehör	Typ	Skydd för skärutrustning, Art. nr.
Trimmerhuvud	R25B (Ø 2 mm lina)	529 96 69-01

# Försäkran om överensstämmelse

## EU-försäkran om överensstämmelse

Vi, **Husqvarna AB**, 561 82 Huskvarna, Sverige, tel:  
+46-36-146500, försäkrar på eget ansvar att produkten:

<b>Beskrivning</b>	Batteridrivna grässtrimmer
<b>Varumärke</b>	Husqvarna
<b>Typ/Modell</b>	215iL
<b>Identifiering</b>	Serienummer daterade 2024 och framåt

uppfyller alla krav i följande EU-direktiv och förordningar:

Direktiv/förordning	Beskrivning
2006/42/EG	"om maskiner"
2014/30/EU	"angående elektromagnetisk kompatibilitet"
2000/14/EC	"angående emission av buller till omgivningen"
2011/65/EU	"angående begränsning av användning av vissa farliga ämnen i elektrisk och elektronisk utrustning"

och att följande standarder och/eller tekniska specifikationer tillämpas: EN 60335-1:2012/A15:2021, EN 50636-2-91:2014, EN IEC 63000:2018, EN IEC 55014-1:2021; EN IEC 55014-2:2021.

Anmält organ: 0197 TÜV Rheinland LGA Products GmbH, Tillystraße 2, 90431 Nürnberg, Germany har intygat överensstämmelse med rådets direktiv 2000/14/EG, procedur för utvärdering av överensstämmelse: bilaga VI.

För information om bulleremissioner, se *Tekniska data på sida 419*.

Huskvarna, 2024-02-01



Claes Losdal, R&D Manager, Husqvarna AB  
Ansvarig för teknisk dokumentation



## İçindekiler

Giriş.....	422	Taşıma, depolama ve atma.....	433
Güvenlik.....	423	Teknik veriler.....	434
Montaj.....	429	Aksesuarlar.....	435
Çalışma.....	429	Uyumluluk Bildirimi.....	436
Bakım.....	431	Ek .....	454
Sorun giderme.....	432		

## Giriş

### Ürün açıklaması

Huşqvarna 215iL, elektrikli motoru bulunan bir akülü çim budayıcıdır.

Kullanım sırasında güvenliğinizi ve verimliliği artırmak için sürekli olarak çalışmalar yapılmaktadır. Daha fazla bilgi için lütfen servis bayinizle görüşün.

### Kullanım amacı

Ürün; metal olmayan misinalar, metal olmayan ipler veya eş değer metal olmayan esnek kesme elemanları

### Ürüne genel bakış

(Şek. 1)

1. Misina kafa
2. Kesme ataşmanı siperliği
3. Mil
4. Mil ayarlama (teleskopik)
5. Yarım daire şeklindeki tutma yeri
6. Tuş takımı
7. Tuş takımı uyarı göstergesi
8. Çalıştırma/durdurma düğmesi
9. SavE düğmesi
10. Güç tetiği
11. Güç tetiği kilidi
12. Güç açma ve uyarı göstergesi
13. Konektör
14. Akü Şarj Cihazı 40-C80
15. Akü Şarj Cihazı QC80
16. Güç kablosu
17. Bitki siperliği
18. Akü uyarı göstergesi
19. Akü durumu
20. Akü gösterge düğmesi
21. Akü çıkarma düğmeleri
22. Akü
23. Kombine alet
24. Kullanım kılavuzu

### Ürün üzerindeki semboller

- (Şek. 2) UYARI: Bu ürün, tehlikeli olabilir ve operatör ya da başkaları açısından ciddi yaralanmalara veya ölüme neden olabilir. Dikkatli olun ve ürünü doğru kullanın.
- (Şek. 3) Kullanım kılavuzunu dikkatle okuyun ve kullanımdan önce talimatları anladığınızdan emin olun.
- (Şek. 4) Koruyucu gözlük takın.

ile birlikte kullanılır. Ürünü ot, çim veya benzeri yumuşak yeşillikleri kesmek dışında başka işler için kullanmayın.

**Not:** Ulusal düzenlemeler ürünün kullanımını kısıtlayabilir.

(Şek. 5) Yağmura maruz bırakmayın.

(Şek. 6) AB (Yeni Güney Galler Mevzuatı da dahil olmak üzere) ve Birleşik Krallık direktifleri ve düzenlemeleri uyarınca çevreye yayılan gürültü emisyonları. Gürültü emisyonu verileri makine etiketinde ve Teknik veriler bölümünde bulunabilir.

(Şek. 7) Çevredeki kişileri üründen uzak tutun.

(Şek. 8) Bakımdan önce akünün bağlantısını kesin.

(Şek. 9) Ürün ya da ürünün ambalajı evsel atık değildir. Ürünü, elektrikli ve elektronik ekipmanlar için bir geri dönüşüm istasyonunda geri dönüştürün.

(Şek. 10) Ürün, yürürlükteki AB direktiflerine uygundur.

(Şek. 11) Ürün yürürlükteki Birleşik Krallık direktiflerine uygundur.

(Şek. 12) Doğru akım.

yyyyhhxxxx

Nominal değerler plakası veya lazer baskı, seri numarasını gösterir. **yyyy** üretim yılı, **hh** ise üretim haftasıdır.

## Akü ve/veya akü şarj cihazı üzerindeki semboller

- (Şek. 16) Bu ürünü, elektrikli ve elektronik ekipmanlar için bir geri dönüşüm istasyonunda geri dönüşüm için kullanın. (Sadece Avrupa için geçerlidir)
- (Şek. 13) Arıza emniyetli dönüştürücü.
- (Şek. 14) Akü şarj cihazını sadece kapalı mekanlarda kullanın ve saklayın.

(Şek. 15) Çift yalıtım.

## Üründe oluşabilecek hasarlar

Aşağıdaki durumlarda ürünümüzde oluşabilecek hasarlardan sorumlu olmayız:

- ürünün hatalı bir şekilde onarılması,
- ürünün, üretici tarafından onaylanmayan veya üreticiden alınmayan parçalarla tamir edilmesi,
- üründe, üreticiden alınmayan veya üretici tarafından onaylanmayan bir aksesuar bulunması,
- ürünün, onaylı bir servis merkezinde veya yetkili bir kurum tarafından tamir edilmemesi.

## Güvenlik

### Güvenlik tanımları

Kılavuzdaki önemli kısımları vurgulamak için uyarılar ve notlar kullanılmıştır.



**UYARI:** Kılavuzdaki talimatlara uyulmadığı takdirde operatör veya çevredeki kişiler için ciddi yaralanma veya ölüm tehlikesi varsa kullanılır.



**DİKKAT:** Kılavuzdaki talimatlara uyulmadığı takdirde ürünün, diğer malzemelerin veya çevrenin zarar görme riski olduğunda kullanılır.

**Not:** Belirli bir durumda bilgi verilmesi gerektiğinde kullanılır.

### Genel elektrikli alet güvenlik uyarıları



**UYARI:** Tüm güvenlik uyarılarını ve talimatları okuyun. Uyarılar ve talimatların göz ardı edilmesi elektrik çarpmasına, yangına ve/veya ciddi yaralanmaya neden olabilir.

**Not:** Tüm uyarı ve talimatları ilerde başvurmak üzere saklayın. Uyarılardaki "elektrikli alet" ifadesi, şebeke akımıyla çalışan (kablolu) elektrikli aletinizi veya aküyle çalışan (kablesiz) elektrikli aletinizi belirtmektedir.

### Çalıştırmadan önce kontrol edin

- Ürünün kazara çalışmasını önlemek için mutlaka aküyü çıkarın. Ürünün üzerinde yapılacak her türlü bakımdan önce mutlaka aküyü çıkarın.
- Ürünü kullanmadan önce ve herhangi bir darbe sonrasında, yıpranma veya hasar bakımından kontrol edin ve gereken şekilde onarın.

- Çalışma alanını inceleyin. Taş, kırık cam, çivi, çelik tel, ip vb. fırlayabilecek veya kesiciye ya da kesici siperliğine dolaşabilecek tüm sabit olmayan nesnelere kaldırın.
- Motorda kir veya çatlak olup olmadığını kontrol edin. Bir fırça kullanılarak motordaki çim ve yaprakları temizleyin. Gerekliğinde eldiven takılmalıdır.
- Misina kafanın budayıcıya tam olarak bağlanıp olduğunu kontrol edin.
- Ürünün mükemmel çalışma durumunda olup olmadığını kontrol edin. Tüm somunların ve vidaların sıkı olup olmadığını kontrol edin.
- Misina kafanın ve biçme siperliğinin hasarsız ve sağlam olduğunu kontrol edin. Darbe almış veya çatlakmışsa misina kafayı veya biçme siperliğini değiştirin. Daima, kullandığınız kesme ataşmanı için önerilen siperliği kullanın. Teknik verilere ilişkin bölüme bakın.
- Ürünün operatörü, çalışma sırasında 15 metre yakınında insan veya hayvan bulunmadığından emin olmalıdır. Aynı çalışma alanında birkaç operatör çalıştığında güvenli mesafe en az 15 metre olmalıdır.
- Kullanmadan önce ürünü genel olarak kontrol edin. Bakım takvimini inceleyin.
- Kullanım ulusal veya yerel yönetmelikler tarafından düzenlenebilir. Belirlenmiş yönetmeliklere uyun.

### Çalışma alanı güvenliği

- Çalışma alanını temiz ve iyi aydınlatılmış tutun. Kalabalık veya karanlık alanlar kazalara neden olabilir.
- Elektrikli aletleri yanıcı sıvıların, gazların veya tozların bulunduğu patlayıcı ortamlarda çalıştırmayın. Elektrikli aletler, toz veya gazı ateşleyebilecek kıvılcıklar çıkarır.
- Elektrikli aletleri kullanırken çocukları ve yanınızdakileri uzakta tutun. Dikkatinizin dağılması, kontrolü kaybetmenize neden olabilir.

## Elektrik güvenliği

- **Elektrikli aletlerin fişleri prize uygun olmalıdır.** Hiçbir zaman fişler üzerinde herhangi bir değişiklik yapmayın. Topraklı elektrikli aletlerle herhangi bir adaptör fiş kullanmayın. Değiştirilmemiş fişler ve uygun prizler, elektrik çarpması riskini azaltır.
- **Boru, radyatör, fırın, buzdolabı gibi topraklı yüzeylerle vücut temasından kaçının.** Vücudunuz topraklı ise elektrik çarpması riski artar.
- **Elektrikli aletleri yağmura veya ıslak koşullara maruz bırakmayın.** Elektrikli aletin içine giren su, elektrik çarpması riskini artırır.
- **Kabloyu kötü kullanmayın. Kabloyu asla elektrikli aleti taşımak, çekmek veya fişini çıkarmak için kullanmayın. Kabloyu ısıdan, yağdan, keskin kenarlardan veya hareketli parçalardan uzakta tutun.** Hasar görmüş veya dolaşmış kablolar, elektrik çarpması riskini artırır.
- **Elektrikli aleti dış mekanda çalıştırırken dış mekan kullanımına uygun bir uzatma kablosu kullanın.** Dış mekan için uygun bir kordon kullanmak, elektrik çarpması riskini azaltır.
- **Elektrikli aleti mutlaka nemli bir ortamda çalıştırmazsanız gerekirse artık akım cihazı (RCD) korumalı bir güç kaynağı kullanın.** RCD kullanmak elektrik şoku riskini azaltır.

## Kişisel güvenlik

- **Elektrikli aletleri kullanırken dikkatinizi yaptığınızı işe verin ve sağduyulu olun.** Yorgunken veya uyuşturucu, alkol ya da ilaç etkisi altındayken elektrikli aletleri kullanmayın. Elektrikli alet kullanırken bir anlık bir dikkatsizlik, ciddi yaralanmaya neden olabilir.
- **Kişisel koruyucu araçlar kullanın. Daima koruyucu gözlük takın.** Uygun durumlarda toz maskesi, kaymayan güvenlik ayakkabıları, çelik başlık veya kulak koruma ekipmanı gibi koruyucu ekipman kullanımı yaralanmaları azaltır.
- **Makinenin kendiliğinden çalışmasını önleyin. Güç kaynağına ve/veya akü grubuna bağlamadan, aracı kaldırmadan veya taşımadan önce anahtarın KAPALI konumda olduğundan emin olun.** Elektrikli aletleri parmağınız çalıştırma düğmesindeyken taşımak veya açık elektrikli aletlere enerji vermek kazalara davetiye çıkarır.
- **Elektrikli aleti açmadan önce ayarlama anahtarlarını veya İngiliz anahtarlarını çıkarın.** Elektrikli aletin dönen kısmına takılı bırakılan İngiliz anahtar veya anahtar yaralanmaya neden olabilir.
- **Makineyi kullanırken erişim alanınızın dışındaki yerlere uzanmaya çalışmayın. Her zaman yere sağlam basın ve dengenizi koruyun.** Bu, elektrikli aletin beklenmedik durumlarda daha iyi kontrolünü sağlar.
- **Uygun giyinin. Bol elbise veya takı giymeyin. Saçınızı ve kıyafetinizi hareketli parçalardan uzakta tutun.** Bol elbiseler, takılar veya uzun saç hareketli parçalara takılabilir.

- **Cihazlar toz çekme ve toplama takımı bağlantısı ile geldiyse bunların bağlı olduğundan ve düzgün kullanıldığından emin olun.** Toz toplama özelliği tozla ilgili tehlikeleri azaltabilir.
- **Aletleri sık kullanmanın verdiği aşinalıkla kendinizi rahat hissedip alet güvenli kriterlerini görmezden gelmeyin.** Dikkatsizce gerçekleştirilen işlemler bir anda ciddi yaralanmalara neden olabilir.
- Elektrikli aletin kullanımı sırasında meydana gelen titreşim emisyonu, aletin kullanıldığı şekle bağlı olarak belirtilen toplam değerden farklılık gösterebilir. Operatörler, gerçek kullanım koşullarını ve ortamlarını dikkate alarak kendilerini koruyacak doğru önlemleri belirlemelidir (aletin kapalı kaldığı ve rölandite çalıştığı zamanlar gibi çalışma zamanlarıyla ilgili tüm hususlar dikkate alınmalıdır).

## Elektrikli alet kullanımı ve bakımı

- **Elektrikli aleti zorlamayın. Yapacağınız iş için uygun olan elektrikli aleti kullanın.** Doğru elektrikli alet, tasarlandığı oranda işi daha iyi ve güvenli yapar.
- **Anahtar, elektrikli aleti açık kapatmıyorsa elektrikli aleti kullanmayın.** Anahtar ile kontrol edilemeyen elektrikli aletler tehlikelidir ve onarılmalıdır.
- **Herhangi bir ayarlama yapmadan, aksesuar değiştirmeden veya elektrikli aletleri depolamadan önce elektrikli aletin fişini güç kaynağından çekin ve/veya çıkarılabilirse akü grubunu çıkarın.** Bu tür önleyici güvenlik önlemleri, elektrikli aletin kazara çalıştırılma riskini azaltır.
- **Kullanılmayan elektrikli aletleri çocukların erişemeyeceği yerde saklayın ve elektrikli alete veya elektrikli aleti kullanmak üzere bu talimatlara yabancı olan kişilere izin vermeyin.** Elektrikli aletler, eğitimsiz kullanıcıların elinde tehlikelidir.
- **Elektrikli aletlerin ve aksesuarların bakımını yapın. Hareketli parçaların yanlış konumlandırılması veya takılması, parçaların kırılması ve elektrikli aletin çalışmasını etkileyebilecek herhangi bir durum olup olmadığını kontrol edin. Hasarı ise kullanmadan önce elektrikli aleti tamir ettirin.** Çoğu kaza yetersiz bakım yapılmış elektrikli aletlerden kaynaklanmaktadır.
- **Kesme araçlarını keskin ve temiz tutun.** Bakımı düzgün yapılmış, kesen tarafları yeterli keskinlikte olan kesme araçlarının takılma ihtimali daha az olup kontrol etmesi daha kolaydır.
- **Elektrikli alet, aksesuarlar, araç parçaları vb. bileşenleri, çalışma koşullarını ve yapılacak işi göz önünde tutarak bu talimatlara uygun şekilde kullanın.** Elektrikli aletin düşünülen amaçlar dışında kullanılması tehlikeli bir duruma yol açabilir.
- **Tutma yerlerini ve kavrama yüzeylerini kuru, temiz, gres ve yağdan arındırılmış halde tutun.** Kaygan tutma yerleri ve kavrama yüzeyleri beklenmedik durumlarda aletin güvenli bir şekilde kullanılmasına ve kontrol edilmesine imkan tanımaz.



## Akülü alet kullanımı ve bakımı

- **Sadece üreticinin belirttiği şarj aletiyle şarj edin.** Bir akü grubu için uygun olan bir şarj aleti başka bir akü grubuyla kullanıldığında yangın riski doğurabilir.
- **Ürünleri yalnızca özel olarak belirlenmiş akü gruplarıyla kullanın.** Farklı türde akü gruplarının kullanılması yangın ve yaralanma riski doğurabilir.
- **Akü grubunu, kullanımda değilken ataç, bozuk para, anahtar, çivi, vida veya diğer küçük metal cisimler gibi bir ucun başka bir uca bağlanmasına neden olabilecek cisimlerden uzak tutun.** Akü uçlarının kısa devre yapması yanıklara veya yangına neden olabilir.
- **Zorlayıcı koşullarda aküden sıvı sızabilir; bu sıvıya dokunmayın. Kazara dokunursanız temas eden kısmı bol suyla yıkayın. Sıvı, göze temas ederse ayrıca doktora başvurun.** Aküden sızan sıvı cildin tahriş olmasına veya yaralanma neden olabilir.
- **Hasarlı veya üzerinde değişiklik yapılmış akü grubunu veya aleti kullanmayın.** Hasarlı veya üzerinde değişiklik yapılmış aküler; yangın, patlama ya da yaralanma riski ile sonuçlanabilecek beklenmedik durumlara yol açabilir.
- **Akü grubunu veya aleti ateşe ya da aşırı sıcaklığa maruz bırakmayın.** Ateşe veya 130°C üzeri sıcaklığa maruz kalınması patlamaya sebep olabilir.
- **Tüm şarj etme talimatlarına uyun ve akü grubunu ya da aleti talimatlarda belirtilen sıcaklık aralığı dışında şarj etmeyin.** Belirtilen sıcaklık aralığının dışında veya hatalı olarak yapılan şarj işlemleri, aküye zarar verebilir ve yangın riskini artırabilir.

## Servis

- **Elektrikli aletinizi yalnızca aynı yedek parçalar kullanan uzman bir tamirci tarafından onarılmasını sağlayın.** Bu, elektrikli aletin güvenliğinin sağlanması için gereklidir.
- **Hasarlı akü gruplarına asla servis işlemi uygulamayın.** Akü gruplarının servis işlemleri yalnızca üretici veya yetkili servis sağlayıcıları tarafından gerçekleştirilmelidir.

## Her zaman sağduyulu hareket edin

Karşılaşılabileceğiniz tüm olası durumları incelemek mümkün değildir. Her zaman dikkat gösterin ve sağduyunuzu kullanın. Kontrol edemeyeceğiniz düşündüğünüz tüm durumlardan kaçının. Bu talimatları okuduktan sonra çalıştırma prosedürleri konusunda hala emin olmadığınız noktalar varsa devam etmeden önce bir uzmana danışmalısınız.



**UYARI:** Çocukların makineyi kullanmasına veya yakınında bulunmasına kesinlikle izin vermeyin. Makinenin çalıştırılması kolay olduğundan, tam gözetim altında tutulmadıklarında makineyi çalıştırabilirler. Bu da ciddi yaralanma riski doğurur. Bu nedenle, makine yakın gözetim altında olmadığında pil çıkarılmalıdır.

## Genel güvenlik talimatları



**UYARI:** Ürünü kullanmadan önce aşağıdaki uyarı talimatlarını okuyun.

- Ürününün kazara çalışmasını önlemek için aküyü çıkarın.
- Bu ürün, dikkatli olmamanız ya da ürünü doğru kullanmamanız halinde tehlikeli bir alettir. Bu ürün, operatör ya da başkaları açısından ciddi yaralanmalara veya ölüme neden olabilir.
- Orijinal teknik özellikleri değiştirilmişe ürünü kullanmayın. Üreticinin onayı olmadan ürünün bir parçasını değiştirmeyin. Yalnızca üretici tarafından onaylanmış parçaları kullanın. Hatalı bakım çalışmaları, yaralanma veya ölüme sonuçlanabilir.
- Kullanmadan önce ürünü kontrol edin. Bkz. *Çalıştırmadan önce kontrol edin sayfa: 423 ve Ürünü çalıştırmadan önce sayfa: 429.* Hasarlı veya düzgün çalışmayan bir ürünü kullanmayın. Bu kılavuzda belirtilen güvenlik kontrolleri, bakım ve servis talimatlarını uygulayın.
- Ürünle oynamadıklarından emin olmak için çocuklar gözetim altında tutulmalıdır. Çocukların veya ürünün ve/veya akünün kullanımı konusunda eğitilmemiş diğer kişilerin ürünü kullanmasına veya üründe servis işlemleri yapmasına kesinlikle izin vermeyin. Operatör yaşı yerel yönetmelikler tarafından düzenlenebilir.
- Çocukların veya yetkili olmayan kişilerin erişmesini önlemek için ürünü kilitli bir alanda tutun.
- Ürünü çocukların erişmeyeceği yerlerde saklayın.
- Üreticinin izni alınmadan ürün tasarımında hiçbir şekilde değişiklik yapılamaz. Her zaman orijinal aksesuarları kullanın. Onaylanmamış değişiklikler ve/veya aksesuarlar operatör ve başkaları açısından ciddi yaralanmalara veya ölüme neden olabilir.

**Not:** Kullanım, Ulusal veya Yerel yasalar tarafından düzenlenebilir. Belirlenmiş yönetmeliklere uyun.

## Kullanım için güvenlik talimatları



**UYARI:** Ürünü kullanmadan önce aşağıdaki uyarı talimatlarını okuyun.

- **Makineyi kötü hava koşullarında; özellikle de yıldırım düşmesi riski olduğu durumlarda kullanmayın.** Bu, bir yıldırım tarafından çarpılma riskini azaltır.
- **Makinenin kullanılacağı alandaki doğal hayatı dikkatlice inceleyin.** Çalışma sırasında doğal hayat, makine nedeniyle zarar görebilir.
- **Makinenin kullanılacağı alanı dikkatlice kontrol edin; tüm taşları, dal parçalarını, telleri, kemikleri ve diğer yabancı nesnelere kaldırın.** Fırlayan nesnelere yaralanmalara neden olabilir.

- **Makineyi kullanmadan önce daima kesicinin ve kesici tertibatının hasarlı olup olmadığını gözle kontrol edin.** Hasarlı parçalar yaralanma riskini artırır.
- **Siperlikleri yerinde tutun. Siperlikler çalışır durumda olmalı ve düzgün şekilde monte edilmelidir.** Gevşek, hasarlı veya düzgün çalışmayan bir siperlik, yaralanmalara neden olabilir.
- **Tüm soğutma havası girişlerinde döküntü olmadığından emin olun.** Tıkalı hava girişleri ve döküntüler aşırı ısınmaya veya yangın riskine neden olabilir.
- **Koruyucu gözlük ve koruyucu kulaklık takın.** Uygun koruyucu ekipman, yaralanma riskini azaltır.
- **Makineyi çalıştırırken her zaman kaymayan ve koruyucu ayakkabı giyin. Makineyi çıplak ayakla veya açık sandalet giyerek çalıştırmayın.** Bu, ayakların hareketli kesiciyle temas etmesiyle oluşabilecek yaralanma olasılığını azaltır.
- **Makineyi çalıştırırken her zaman operatörün bacaklarını kaplayan pantolon gibi kıyafetler giyin.** Hareketli kesici veya misinayla temas yaralanmalara neden olabilir.
- **Makineyi kullanırken çevredeki kişileri uzak tutun.** Fırlayan döküntüler ciddi kişisel yaralanmalara neden olabilir.
- **Makineyi bel yüksekliğinin üzerinde çalıştırmayın.** Bu sayede, istenmeyen kesici teması önenebilir ve beklenmedik durumlarda makine daha iyi kontrol edilebilir.
- **Makineyi ıslak çimde kullanırken dikkatli olun. Yürüyün, asla koşmayın.** Bu, yaralanmaya neden olabilecek kayma ve düşme riskini azaltır.
- **Makineyi aşırı dik eğimlerde kullanmayın.** Bu, yaralanmaya neden olabilecek kontrol kaybı, kayma ve düşme riskini azaltır.
- **Eğimli yerlerde çalışırken her zaman yere sağlam basın, makineyi eğimli yüzeye paralel kullanın, asla yukarı veya aşağı doğru kullanmayın ve yön değiştirirken çok dikkatli olun.** Bu, yaralanmaya neden olabilecek kontrol kaybı, kayma ve düşme riskini azaltır.
- **Tüm güç kablolarını ve kabloları kesme alanından uzak tutun.** Güç kabloları veya kablolar, çitlerin veya çalıkların arasına gizlenebilir ve misina veya kesici tarafından yanlışlıkla kesilebilir veya hasar görebilir.
- **Tüm vücudunuzu hareketli kesiciden veya misinadan uzak tutun. Güç kaynağı ile bağlantısı kesilene kadar makineden malzeme temizlemeyin.** Hareketli kesici veya misina ciddi yaralanmalara neden olabilir.
- **Makineyi, kapalı şekilde ve vücudunuzdan uzak tutarak taşıyın.** Makinenin doğru şekilde kullanılması, hareketli kesici veya misinayla kazara temas etme riskini azaltır.
- **Yalnızca üretici tarafından belirtilen yedek kesme kafaları ve kesiciler veya misinalar kullanın. Kesicileri veya misinaları metal tel veya bıçaklarla değiştirmeyin.** Yanlış yedek parçalar kontrol kaybına, kırılmaya ve yaralanmaya neden olabilir.

## Kişisel koruyucu ekipman



**UYARI:** Ürünü kullanmadan önce aşağıdaki uyarı talimatlarını okuyun.

- Ürünü kullanırken daima onaylı kişisel koruyucu ekipmanları kullanın. Kişisel koruyucu ekipmanlar yaralanma riskini tamamen engelleyemez ancak bir kaza durumunda yaralanmanın derecesini azaltır. Bayinizin doğru ekipmanı seçmenize yardımcı olmasını sağlayın.
- Onaylanmış kulak koruma ekipmanı kullanın.

(Şek. 17)

- Onaylı koruyucu gözlük kullanın. Vizör kullanıyorsanız onaylı koruma gözlüğü de kullanmanız gerekir. Onaylı koruma gözlüğü ABD'de ANSI Z87.1 veya AB ülkelerinde EN 166 standardıyla uyumlu olmalıdır.

(Şek. 18)

- Kesme donanımını takma, kontrol etme veya temizleme gibi eldiven gerektiren durumlarda eldiven kullanın.

(Şek. 19)

- Çelik burunlu ve kaymaz tabanlı koruyucu bot kullanın.

(Şek. 20)

- Sağlam kumaştan yapılmış kıyafetler kullanın. Daima kalın ve uzun pantolonlarla uzun kollu kıyafetler kullanın. Çalılara ve dallara takılabilecek bol kıyafetler kullanmayın. Takı takmayın, kısa pantolon veya sandalet kullanmayın. Çıplak ayakla kullanmayın. Saçınızı güvenli bir şekilde omuz hizasının üzerinde toplayın.
- İlk yardım ekipmanını yakında bulundurun.

(Şek. 21)

## Ürünün üzerindeki güvenlik araçları



**UYARI:** Ürünü kullanmadan önce aşağıdaki uyarı talimatlarını okuyun.

Bu bölümde ürünün güvenlik özellikleri, amacı ve ürünün düzgün çalışması için bakım ve kontrollerin nasıl yürütülmesi gerektiği açıklanmaktadır. Ürününüzde bu parçaların nerede bulunduğunu görmek için *Giriş sayfa*da: 422 başlığı altındaki talimatları okuyun.

Ürün bakımı doğru olarak yapılmazsa ve servis / veya onarım işlemleri profesyonel olarak uygulanmazsa ürünün kullanım ömrü azalabilir ve kaza riski artabilir. Daha fazla bilgiye ihtiyacınız olursa lütfen en yakın servis bayisiyle iletişime geçin.



**UYARI:** Güvenlik bileşenleri hasarlı olan bir ürünü asla kullanmayın. Ürünün güvenlik donanımı bu bölümde açıklandığı

gibi kontrol edilmeli ve bakıma alınmalıdır. Ürününüz bu kontrollerden herhangi birini geçemezse onarım için servis nokتانızla iletişime geçin.



**DİKKAT:** Makine üzerindeki tüm servis ve onarım işlemleri özel eğitim gerektirir. Bu durum özellikle makinenin güvenlik ekipmanı için geçerlidir. Makineniz aşağıda açıklanan kontrollerden herhangi birinden geçemezse servis nokتانısıyla iletişime geçmelisiniz. Herhangi bir ürünümüzü satın aldığınızda profesyonel onarım ve servis hizmetlerinin mevcut bulunduğunu garanti etmekteyiz. Makinenizi satan bayi bir servis bayisi değilse size en yakın servis nokتانının adresini sorun.

#### Tuş takımını kontrol etme

1. Çalıştırma/durdurma düğmesine (A) basın ve düğmeyi basılı tutun. (Şek. 22)
  - a) LED (B) yandıığında ürün açılır.
  - b) LED (B) söndüğünde ürün kapanır.
2. Uyarı göstergesi (C) yanıyorsa veya yanıp sönyorsa *Tuş takımı sayfada: 432* bölümüne başvurun.

#### Güç tetiği kilidini kontrol etme

Güç tetiği kilidi, kazara çalışmayı önler. Güç tetiği kilidine (A) bastığınızda güç tetiği (B) serbest kalır. Tutma yerini bıraktığınızda güç tetiği ve güç tetiği kilidi geri hareket ederek ilk konumlarına geri döner. (Şek. 23)

1. Güç tetiği kilidi ilk konumundayken güç tetiğinin kilitleti olduğundan emin olun. (Şek. 24)
2. Güç tetiğine basın ve tetiği serbest bıraktığınızda ilk konumuna geri döndüğünden emin olun. (Şek. 25)
3. Güç tetiğinin ve güç tetiği kilidinin serbestçe hareket ettiğinden ve dönüş yayının düzgün çalıştığından emin olun. (Şek. 26)
4. Ürünü çalıştırın. Bkz. *Ürünü çalıştırma sayfada: 430*.
5. Tam güç uygulayın.
6. Güç tetiğini serbest bırakın ve kesme donanımının tamamen durduğundan emin olun.

#### Kesme donanımı siperliğini kontrol etme



**UYARI:** Kesme donanımını onaylı ve doğru takılmış bir kesme donanımı siperliği olmadan kullanmayın. Kullandığınız kesme donanımı için daima tavsiye edilen kesme donanımı siperliğini kullanın; bkz. *Teknik veriler sayfada: 434*. Hatalı veya arızalı kesme donanımı siperliği takılması ciddi yaralanmaya neden olabilir.

Kesme donanımı siperliği, operatöre doğru fırlayan nesnelere engeller. Kesme donanımı siperliği, kesme donanımına dokunduğunuzda oluşabilecek yaralanmaları da önler.

1. Motoru durdurun.
2. Çatlama gibi herhangi bir hasar olup olmadığını gözünüzle kontrol edin.
3. Hasar görmesi durumunda kesme ataşmanı siperliğini değiştirin.

#### Kesme ekipmanı

Doğru kesme ekipmanını seçerek ve kesme ekipmanına bakım yaparak:

- Maksimum kesme performansı elde edin.
- Kesme ekipmanının ömrünü uzatın.



**UYARI:** Kesme ataşmanlarını yalnızca önerdiğimiz siperliklerle kullanın! Daha fazla bilgi için bkz. *Teknik veriler sayfada: 434*. Misinayı doğru şekilde yüklemeye yöntemini ve doğru misina çapını bulmak için kesme ataşmanı talimatlarına bakın.



**UYARI:** Hasarlı bir kesme ataşmanı kaza riskini artırabilir.



**UYARI:** Kesme ataşmanı üzerinde bir işlem yapmadan önce her zaman motoru durdurun. Ataşman, gaz serbest bırakıldıktan sonra da dönmeye devam eder. Üzerinde çalışmaya başlamadan önce kesme ataşmanının tamamen durduğundan emin olun ve buji kapağının bağlantısını kesin.

#### Misina kafa



**UYARI:** Zararlı titreşimi önlemek amacıyla misinanın tamburun etrafına sıkıca ve düzgün şekilde sarıldığından mutlaka emin olun.

(Şek. 27)

- Yalnızca tavsiye edilen misina kafalarını ve misinaları kullanın.
- Yalnızca önerilen kesme donanımlarını kullanın.
- Küçük makineler küçük misina kafalar gerektirir; büyük makineler ise büyük misina kafalar gerektirir.
- Misinanın uzunluğu önemlidir. Uzun misinalar, aynı çapta daha kısa misinalardan daha fazla motor gücü gerektirir.
- Biçme kuruyucusu üzerindeki kesicinin sağlam olduğundan emin olun. Bu kesici, misinayı doğru uzunlukta kesmeye yarar.

- Kullanım ömrünü uzatmak için misinayı kullanmadan önce birkaç gün boyunca suda bekletin.

## Akü güvenliği



**UYARI:** Ürünü kullanmadan önce aşağıdaki uyarı talimatlarını okuyun.

- Yalnızca BLi serisi ve 40-B serisi akü kullanın. Ayrıntılar için bkz. *Teknik veriler sayfa: 434*. Akü, yazılım şifresine sahiptir.
- İlgili Husqvarna ürünleri için güç kaynağı olarak yalnızca şarj edilebilir BLi serisi ve 40-B serisi aküleri kullanın. Yaralanmayı önlemek için aküyü başka cihazların güç kaynağı olarak kullanmayın.
- Elektrik çarpması riski. Akü terminallerini anahtarlara, madeni paralara, vidalara veya diğer metallere bağlamayın. Bu, aküde kısa devreye neden olabilir.
- Şarj edilebilir olmayan akü kullanmayın.
- Akünün hava deliklerine herhangi bir nesne koymayın.
- Aküyü güneş ışığından, ısı kaynaklarından veya açık alevden uzak tutun. Akü yanıklara ve/veya kimyasal yanıklara neden olabilir.
- Aküyü yağmurdan ve ıslak koşullardan uzak tutun.
- Aküyü mikrodalgalardan ve yüksek basınçtan uzak tutun.
- Aküyü parçalarına ayırmaya veya kırmaya çalışmayın.
- Aküde sızıntı varsa sıvının vücudunuza veya gözlerinize temas etmesine izin vermeyin. Sıvıya dokunduysanız etkilenen bölgeyi bol su ve sabunla yıkayın, tıbbi yardım alın. Sıvı gözünüze kaçarsa ommayın ancak gözlerinizi suyla en az 15 dakika yıkayın ve tıbbi yardım alın.
- Aküyü -10°C (14°F) ile 40°C (114°F) arasındaki sıcaklıklarda kullanın.
- Aküyü veya akü şarj cihazını suyla temizlemeyin. Bkz. *Ürünü, aküyü ve akü şarj cihazını temizleme sayfa: 432*.
- Hatalı veya hasarlı aküleri kullanmayın.
- Aküleri çivi, vida veya mücevherat gibi metal nesnelere uzak bir yerde saklayın.
- Aküyü çocuklardan uzakta tutun.

## Akü şarj cihazı güvenliği



**UYARI:** Ürünü kullanmadan önce aşağıdaki uyarı talimatlarını okuyun.

- Güvenlik talimatlarına uyulmaması durumunda elektrik çarpması veya kısa devre riski vardır.
- Ürününüz için verilerden başka akü şarj cihazı kullanmayın. BLi serisi ve 40-B serisi yedek

aküleri şarj ederken yalnızca QC80 ve 40-C80 şarj cihazlarını kullanın.

- Akü şarj cihazını parçalarına ayırmaya çalışmayın.
- Hatalı veya hasarlı akü şarj cihazlarını kullanmayın.
- Akü şarj cihazını güç kablosundan tutup kaldırmayın. Akü şarj cihazını duvar prizinden çıkarmak için fişi çekin. Güç kablosunu çekmeyin.
- Tüm kabloları ve uzatma kablolarını sudan, yağdan ve keskin köşelerden uzakta tutun. Kablonun kapı, çit veya benzeri yerlere takılmadığından emin olun.
- Akü şarj cihazını, yanıcı malzemelerin veya korozyona neden olabilecek malzemelerin yakınında kullanmayın. Akü şarj cihazının üstünün kapalı olmadığından emin olun. Duman veya ateş çıkması durumunda akü şarj cihazının fişini çekip çıkarın.
- Aküyü yalnızca kapalı alanda, iyi hava akışı olan ve güneş ışığından uzak bir yerde şarj edin. Aküyü dış mekanda şarj etmeyin. Aküyü ıslak koşullarda şarj etmeyin.
- Akü şarj cihazını yalnızca 5°C (41°F) ile 40°C (104°F) arasındaki sıcaklıklarda kullanın. Şarj cihazını iyi hava akışı olan kuru ve tozsuz bir ortamda kullanın.
- Akü şarj cihazının soğutma deliklerine herhangi bir nesne koymayın.
- Akü şarj cihazında kısa devre oluşabileceği için şarj cihazının terminallerini metal nesnelere bağlamayın.
- Hasarlı olmayan onaylı duvar prizlerini kullanın. Akü şarj cihazı kablosunun hasarlı olmadığından emin olun. Uzatma kabloları kullanılıyorsa uzatma kablolarının hasarlı olmadığından emin olun.
- Şarj edilemeyen aküleri akü şarj cihazlarında şarj etmeyin.

## Bakım için güvenlik talimatları



**UYARI:** Ürün üzerinde bakım yapmadan önce aşağıdaki uyarı talimatlarını okuyun.

- Bakım ve diğer kontrolleri gerçekleştirmeden veya ürünü monte etmeden önce aküyü çıkarın.
- Operatör, yalnızca kullanım kılavuzunda gösterilen bakım ve servis işlemlerini uygulamalıdır. Daha geniş çaplı bakım ve servis için servis bayinizle iletişime geçin.
- Aküyü veya akü şarj cihazını suyla temizlemeyin. Güçlü deterjanlar plastiğe zarar verebilir.
- Bakım yapmamanız ürünün kullanım ömrünü azaltır ve kaza riskini artırır.
- Ürünün güvenlik araçları başta olmak üzere tüm servis ve onarım işlemleri için özel eğitim gerekir. Bakım yaptıktan sonra bu kullanım kılavuzundaki tüm kontroller onaylanmazsa servis bayinizle iletişime geçin. Ürününüz için profesyonel onarım ve servis hizmetinin mevcut olduğunu garanti ederiz.
- Sadece orijinal yedek parça kullanın.

## Montaj

### Giriş



**UYARI:** Ürünü monte etmeden önce güvenlik bölümünü okuyup anlayın.

### Kesici siperliđinin takılması

1. Kesici siperliđini motor muhafazasına yerleřtirin. (řek. 28).
2. Cıvataı motor muhafazasından ve kesici siperliđinden geđirerek takın. (řek. 29)
3. Cıvataı sıkın.

### Misina kafayı monte etme

1. alıřtırma diskindeki delik, diřli kovanındaki delikle hizalanıncaya kadar ıkıř milini dndrn.
2. Mili kilitlemek iin kilit pimini deliđe takın.
3. Misina kafayı saat ynnn tersine dndrn. (řek. 30)

### Yarım daire řeklindeki tutamađı monte etme

1. Vidayı yarım daire řeklindeki tutma yerine takın. (řek. 31)
2. Yarım daire řeklindeki tutma yerini mil zerindeki atařmana monte edin.

3. Vidaları sıkın.
4. Yarım daire řeklindeki tutma yerini dođru konuma getirin. Bkz. *Yarım daire řeklindeki tutma yerini ve teleskopik mili ayarlama sayfa: 430.*

### Bitki siperliđini monte etme

1. Bitki siperliđini motor muhafazasındaki deliklere takın. (řek. 32)
2. Bitki siperliđinin ileri ve geri serbeste hareket edebildiđinden emin olun. (řek. 33)

### Ak řarj cihazını 40-C80 duvara monte etme



**DİKKAT:** Ak řarj cihazını duvara monte etmek iin elektrikli tornavida kullanmayın. Elektrikli tornavida, ak řarj cihazına zarar verebilir.

1. Ak řarj cihazını, 2 vida (B) ile duvara monte edin. Gerekiirse dbel (A) kullanın. (řek. 34)
2. 2 vida deliđi dbelini (C) takın.
3. G kablosunu ak řarj cihazına ve duvar prizine bađlayın.

## alıřma

### Giriş



**UYARI:** Ürünü kullanmadan önce güvenlik bölümünü okuyup anlayın.

### Ürünü alıřtırmadan önce

- Araziyi tanıdıđınızdan emin olmak iin alıřma alanını inceleyin. Zeminin eđimini inceleyin ve tař, dal veya ukur gibi engeller olup olmadıđını kontrol edin.
- Ürn genel olarak gzden geirin.
- Bu kılavuzda verilen güvenlik muayenelerini, bakımı ve servisi yapın.
- Motorda kir veya atlak olup olmadıđını kontrol edin. Bir fıra kullanarak motordaki im ve yaprakları temizleyin. Gerekiirse eldiven kullanın.
- Misina kafada ve kesme donanımı siperliđinde hasar veya atlak olup olmadıđına bakın. Misina kafa ve kesme donanımı siperliđi darbe almıřsa veya atlaksa bunları deđiřtirin.
- Tm somun ve vidaların sıkı olduđundan emin olun.

- Ürn bařlatmadan önce kesme donanımındaki tm kapakların, siperliklerin ve tutma yerlerinin dođru řekilde takıldıđından ve hasarsız olduđundan emin olun.

### Ak



**UYARI:** Aky kullanmadan önce güvenlik bölümünü okuyup anlayın. Ak ve ak řarj cihazına ait kullanım kılavuzunu da okuyup anlamalısınız.

Aky ve ak řarj cihazını dođru ortam sıcaklıklarında tutun.

	Ortam sıcaklıđı
Ak alıřma sıcaklıđı	5°C-40°C / 41°F-104°F
Ak řarj etme sıcaklıđı	5°C-40°C / 41°F-104°F

## Akü durumu

(Şek. 35)

Ekranda, şarj durumu ve aküyle ilgili sorun olup olmadığı gösterilir.

LED göstergesi	Akü durumu (şarj durumu)	
	BLi10, BLi20	40-B70, 40-B140
4 LED ışık yanıyor	Geçerli değil	Akü %76 - %100 doludur.
3 LED ışık yanıyor	Akü %76 - %100 doludur.	Akü %51 - %75 doludur.
2 LED ışık yanıyor	Akü %51 - %75 doludur.	Akü %26 - %50 doludur.
1 LED ışık yanıyor	Akü %26 - %50 doludur.	Akü %6 - %25 doludur.
1 LED ışık yanıp sönüyor	Akü %0 - %25 doludur.	Akü %0 - %5 doludur.

## Aküyü şarj etme

Aküyü ilk defa kullanacaksanız şarj edin. Yeni bir akünün şarjı %30 seviyesindedir.



**DİKKAT:** Akü şarj cihazını nominal değerler plakasında belirtilen voltaj ve frekansa sahip bir güç çıkışına bağlayın.

Akü sıcaklığı 50°C'nin/122°F üzerindeyse akü şarj olmaz.

1. Güç kablosunu akü şarj cihazına bağlayın.
2. Akü şarj cihazını topraklı bir prize takın. Şarj LED'i bir kez yanıp söner. (Şek. 36)
3. Aküyü akü şarj cihazına bağlayın. Şarj LED'i yanar. Aküyü en fazla 24 saat boyunca şarj edin. (Şek. 37)
4. Akü göstergesi düğmesine basın; tüm LED göstergeler yanarsa akü tamamen şarj olmuştur.
5. Akü şarj cihazının prize bağlantısını kesmek için elektrik fişini çekin. Güç kablosunu çekmeyin.
6. Aküyü, akü şarj cihazından çıkarın.

## Aküyü ürüne bağlama



**UYARI:** Ürün için yalnızca orijinal Husqvarna aküsünü kullanın.

1. Aküyü tam şarj edin.
2. Aküyü, ürünün akü tutucusuna yerleştirin. Akü yerine kilitlendiğinde bir tıklama duyarsınız. (Şek. 38)



**DİKKAT:** Akü, akü yuvasına rahatça geçmiyorsa akü doğru şekilde takılmamış demektir. Bu, üründe hasara neden olabilir.

## Ürünü çalıştırma

1. Yeşil LED yanana kadar çalıştırma/durdurma düğmesini basılı tutun. (Şek. 39)
2. Güç tetiği kilidine ve güç tetiğine basın. Kesme donanımı dönmeye başlar.

## Yarım daire şeklindeki tutma yerini ve teleskopik mili ayarlama

1. Kilitleme kolunu gevşetin ve yarım daire şeklindeki tutma yerini doğru konuma getirin. (Şek. 40)
2. Kilitleme kolunu kapatın.
3. Mildeki kolu gevşetin. (Şek. 41)
4. Mil üzerinde gerekli uzunluğu ayarlayın. Mil üzerindeki üçgeni görebildiğinizden emin olun. (Şek. 42)
5. Kolu kapatın ve vidayı sıkın.

**Not:** Yarım daire şeklindeki tutma yerini mil üzerindeki Uyarı etiketleri üzerine gelecek şekilde takmadığınızdan emin olun.

## SavE işlevinin kullanılması

Bu üründe, SavE adı verilen bir güç tasarruf işlevi bulunur.

**Not:** SavE işlevi, ürünün kesim gücünü azaltmaz.

1. Tuş takımı üzerindeki SavE düğmesine basın.
2. Yeşil LED'in yandığından emin olun.
3. İşlevi kapatmak için SavE düğmesine tekrar basın. Yeşil LED söner. (Şek. 43)

## Otomatik kapatma işlevi

Üründe, ürün kullanılmadığında ürünü durduran bir kapatma işlevi vardır. Başlatma/durdurma gösterimi için yeşil LED söner ve ürün 180 saniye sonra durur.

## Ürünü çalıştırma

### Çim düzeltme

1. Misina kafayı zemin yüzeyinin hemen üstünde bir açı ile tutun. Misinayı çime bastırmayın. (Şek. 44)
2. Misina uzunluğunu 10-12 cm/4-4,75 inç kısaltın.
3. Bitkilere zarar verme riskini azaltmak için motor devrini düşürün.
4. Nesnelerin yakınında çim keserken %80 oranında gaz kullanın. (Şek. 45)

### Çimi temizleme

1. Misina kafayı zeminin üzerinde tutun.
2. Misina kafayı eğin.
3. Çalışma alanında nesnelerin etrafında misinanın ucuyla kesin.



**DİKKAT:** Çimi kesin. Misinanın çarptığı diğer nesneler, misinanın yıpranmasını hızlandırır.

### Çim kesme

1. Çimi keserken misinanın zemine paralel olduğundan emin olun. (Şek. 46)
2. Misina kafayı zemine bastırmayın. Bu, üründe hasara neden olabilir.
3. Çimi keserken ürünü yanlamasına hareket ettirin. Tam hızı kullanın. (Şek. 47)

### Çimi temizleme

Dönen misinadan gelen hava akışı kesilen çimi bölgeden kaldırmak için kullanılabilir.

1. Misina kafayı ve misinayı yere paralel ve yerden yukarıda tutun.
2. Tam gaz uygulayın.
3. Misina kafayı yanlamasına hareket ettirerek çimi süpürün.



**UYARI:** Her yeni misina taktığınızda, dengenin bozulmasını ve tutacalarda titreşimi önlemek için misina kafa kapağını temizleyin. Ayrıca misina kafanın diğer taraflarını da kontrol edip gerekirse temizleyin.

### Ürünü durdurma

1. Güç tetiğini ve güç tetiği kilidini serbest bırakın.
2. Yeşil LED sönene kadar çalıştırma/durdurma düğmesine basın.
3. Aküdeki serbest bırakma düğmelerine basın ve aküyü üründen çıkarın. (Şek. 48)

### Misinanın değiştirilmesi

Bu kullanım kılavuzunun son sayfasına bakın.

## Bakım

### Giriş



**UYARI:** Ürün üzerinde bakım yapmadan önce güvenlik bölümünü okuyup anlayın.

### Bakım takvimi



**UYARI:** Bakım yapmadan önce aküyü çıkarın.

Ürün üzerinde yapmanız gereken bakım adımları aşağıda listelenmiştir. Daha fazla bilgi için *Bakım sayfada: 431* bölümüne bakın.

Bakım	Günlük	Haftalık olarak	Aylık olarak
Ürünün dış parçalarını kuru bir bezle temizleyin. Su kullanmayın.	X		
Çalıştırma ve durdurma düğmesinin düzgün çalıştığından ve zarar görmemiş olduğundan emin olun.	X		
Güç tetiğinin ve güç tetiği kilidinin güvenlik açısından doğru çalıştığından emin olun.	X		
Tüm kontrollerin çalıştığından ve zarar görmediğinden emin olun.	X		

Bakım	Günlük	Haftalık olarak	Aylık olarak
Tutma yerlerini kuru, temiz, gres ve yağdan arındırılmış halde tutun.	X		
Kesme donanımının zarar görmemiş olduğundan emin olun. Zarar görmesi durumunda kesme donanımını değiştirin.	X		
Kesme donanımı siperliğinin zarar görmemiş olduğundan emin olun. Hasar görmesi durumunda kesme donanımı siperliğini değiştirin.	X		
Vida ve somunların sıkı olduğundan emin olun.	X		
Aküdeki açma düğmelerinin çalıştığından ve aküyü ürüne sabitlediğinden emin olun.	X		
Akü şarj cihazının zarar görmediğinden ve doğru şekilde çalıştığından emin olun.	X		
Akünün zarar görmemiş olduğundan emin olun.	X		
Akünün şarj edilmiş olduğundan emin olun.	X		
Akü şarj cihazının zarar görmediğinden emin olun.	X		
Tüm kabloları, rakorları ve bağlantıları kontrol edin. Bunların zarar görmediğinden ve kirden arındırılmış olduğundan emin olun.		X	
Akü ile ürün arasındaki bağlantıları kontrol edin. Akü ile akü şarj cihazı arasındaki bağlantıyı kontrol edin.			X

### Aküyü ve akü şarj cihazını kontrol etme

1. Aküyü çatlak gibi hasarlara karşı kontrol edin.
2. Akü şarj cihazını çatlak gibi hasarlara karşı kontrol edin.
3. Akü şarj cihazının bağlantı kablosunun hasarlı olmadığını ve üzerinde çatlaklar bulunmadığını kontrol edin.

### Ürünü, aküyü ve akü şarj cihazını temizleme

1. Kullandıktan sonra ürünü kuru bir bezle temizleyin.
2. Aküyü ve akü şarj cihazını kuru bir bezle temizleyin. PİL kılavuz raylarını temiz tutun.

3. Aküyü, akü şarj cihazına veya ürüne yerleştirmeden önce akü ve akü şarj cihazının terminallerinin temiz olduğundan emin olun.

### Misina kafayı inceleyip değiştirme

1. Misina kafada hasar ve çatlak olup olmadığını kontrol edin.
2. Misina kanalı düzeneğini çekip çıkarın.
3. Misina kafayı çıkarın. (Şek. 49)
4. Misina kafayı değiştirin.
5. Misina kafayı monte edin. Bkz. *Misina kafayı monte etme sayfa: 429.*

## Sorun giderme

### Tuş takımı

LED ekran	Olası anızalar	Olası çözümler
Hata LED'i yanıp sönüyor.	Aşırı yük	Kesme donanımı serbestçe hareket edemiyor. Kesme donanımını serbest bırakın.
	Sıcaklık değişimi	Ürünün soğumasını bekleyin.
Ürün çalışmıyor.	Güç tetiğine basın ve aynı anda çalıştırma düğmesine basın.	Güç tetiğini serbest bırakın ve ürünü durdurun.
Hata LED'i kırmızı ışıkla yanar.	Üründe servis işlemi gerçekleştirilmesi gerekir	Servis bayinize danışın.



## Akü

LED ekran	Olası arızalar	Olası işlem
Yeşil LED yanıp sönüyor.	Düşük akü voltajı.	Aküyü şarj edin.
Hata LED'i yanıp sönüyor.	Sıcaklık değişimi.	Aküyü -10°C (14°F) ile 40°C (104°F) arasındaki sıcaklıklarda kullanın.
	Voltaj çok yüksek.	Şebeke voltajının, ürünün nominal değerler plakasında belirtilen voltajla uyumlu olduğundan emin olun. Aküyü şarj cihazından çıkarın.
Hata LED'i yanıyor.	Hücre farkı çok fazladır (1 V).	Servis bayinize danışın.

## Akü şarj cihazı

Sorun	Olası arızalar	Olası çözüm
Şarj LED'i kırmızı renkte yanıyor.	Akü şarj cihazında kalıcı hata.	Bayinize başvurun.
Şarj LED'i yeşil renkte yanıp sönüyor.	Sıcaklık sapması. Akü kullanmak veya şarj etmek için fazla soğuk ya da fazla sıcaktır.	Akünün soğumasını bekleyin veya ısınmasını sağlayın. Akü doğru sıcaklığa geldiğinde tekrar kullanılabilir veya şarj edilebilir. Akü şarj cihazını 5°C (41°F) ile 40°C (104°F) arasındaki ortam sıcaklıklarında kullanın.
Şarj LED'i kırmızı renkte yanıp sönüyor.	Arızalı akü.	Bayinize başvurun.

## Taşıma, depolama ve atma

### Taşıma ve saklama

- Ürün ile birlikte verilen Lityum iyon aküler, Tehlikeli Maddeler Yönetmeliklerinin gereksinimlerini karşılamaktadır.
- Üçüncü taraflar ve aracı nakliye şirketleri de dahil olmak üzere, ticari amaçlı taşıma işlemlerinde ambalaj ve etiketler üzerindeki özel gereksinimlere uyun.
- Ürünü göndermeden önce tehlikeli maddeler konusunda özel eğitim almış bir kişiyle görüşün. Yürürlükteki tüm ulusal yönetmeliklere uyun.
- Aküyü bir ambalaja yerleştireceğiniz zaman açık kontakları bantlayın. Aküyü ambalaj içine hareket etmesini engelleyecek şekilde yerleştirin.
- Saklama veya taşıma için aküyü çıkarın.
- Aküyü ve akü şarj cihazını nem ve don olmayan kuru bir yerde saklayın.

- Aküyü statik elektriğin oluşabileceği yerlerde saklamayın. Aküyü metal bir kutuda tutmayın.
- Aküyü, sıcaklığı 5°C/41°F ile 25°C/77°F arasında olan ve doğrudan güneş ışığı almayan bir yerde tutun.
- Akü şarj cihazını, sıcaklığı 5°C/41°F ile 45°C/113°F arasında olan ve doğrudan güneş ışığı almayan bir yerde tutun.
- Akü şarj cihazını yalnızca ortam sıcaklığı 5°C/41°F ile 40°C/104°F arasındayken kullanın.
- Uzun süreli depolamadan önce aküyü %30-%50 arasındaki bir seviyeye kadar şarj edin.
- Akü şarj cihazını, kapalı ve kuru bir alanda saklayın.
- Depolama sırasında aküyü akü şarj cihazından uzakta tutun. Çocukların ve diğer izinsiz kişilerin ekipmana dokunmasına izin vermeyin. Ekipmanı kilitleyebileceğiniz bir yerde tutun.
- Uzun süreli depolamadan önce ürünü temizleyin ve ürüne eksiksiz bir bakım yapın.

- Taşıma ve depolama sırasında ürünün hasar görmesini engellemek için taşıma koruyucusunu kullanın.
- Taşıma sırasında ürünü güvenli bir şekilde sabitleyin.

elektrikli ve elektronik ekipmanlar için bir geri dönüşüm istasyonunda geri dönüştürün. Bu, çevrenin ve insanların zarar görmemesine yardımcı olur.

Ürününüzü geri dönüştürme hakkında daha fazla bilgi için yerel yetkililer, evsel atık hizmeti veya bayiniz ile görüşün.

## Akü, akü şarj cihazı ve ürünü atma

Ürün veya ürün ambalajı üzerinde bulunan semboller, bu ürünün evsel atık olmadığını belirtir. Ürünü,

## Teknik veriler

### Teknik veriler

	<b>215iL</b>
<b>Motor</b>	
Motor tipi	BLDC
Çıkış milinin devri, dev/dak	6800
Kesim genişliği, mm	310
<b>Ağırlık</b>	
Akü ağırlık, kg	2,9
<b>Gürültü emisyonu</b> <sup>79</sup>	
Ses gücü düzeyi, ölçülmüş dB (A)	90,5
Ses gücü düzeyi, garantili L <sub>WA</sub> dB (A)	92
<b>Gürültü düzeyleri</b> <sup>80</sup>	
EN ISO 50636-2-91'e göre ölçülen operatörün kulağındaki eş değer ses basıncı düzeyi, dB (A)	74,9
<b>Titreşim düzeyleri</b> <sup>81</sup>	
EN50636-2-91'e göre ölçülen tutma yerlerindeki titreşim düzeyleri, m/sn <sup>2</sup>	4,5/2,7
Misina kafayla (orijinal) donatılmış, ön/arka.	

### Ürün için onaylı aküler

Akü	BLI10	BLI20	40-B70	40-B140
Tip	Lityum iyon	Lityum iyon	Lityum iyon	Lityum iyon

<sup>79</sup> 2000/14/AT sayılı AT direktifi uyarınca ses gücü (L<sub>WA</sub>) olarak çevrede ölçülen gürültü emisyonu düzeyi. Garantili ve ölçülmüş ses gücü arasındaki fark, garantili ses gücünün 2000/14/AT sayılı Direktif doğrultusunda ölçüm sonucundaki dağılımı ve aynı modelin farklı ürünleri arasındaki değişimleri de içermesidir.

<sup>80</sup> Ürünün eş değer ses basıncı düzeyi için bildirilen verilerdeki tipik istatistik dağılım (standart sapma) 2,5 dB (A) değerindedir.

<sup>81</sup> Titreşim düzeyi için bildirilen verilerdeki tipik istatistik dağılım (standart sapma) 1,5 m/sn<sup>2</sup> şeklindedir.

Akü	BLI10		BLI20		40-B70	40-B140
Akü kapasitesi, Ah	Akü nominal değerler çıkartmasına başvurun		Akü nominal değerler çıkartmasına başvurun		Akü nominal değerler çıkartmasına başvurun	Akü nominal değerler çıkartmasına başvurun
Nominal voltaj, V	36	36,5	36	36,5	36	36
Ağırlık, lb/kg	0,7	0,7	1,2	1,2	0,8	1,25

### Ürün için onaylı akü şarj cihazları

Akü Şarj Cihazı	QC80	40-C80
Şebeke voltajı, V	100-240	100-240
Frekans, Hz	50-60	50-60
Güç, W	100	72
Çıkış Voltajı, V d.c./ Amper, A	36/2	43/1,6

## Aksesuarlar

### Onaylı aksesuarlar

Onaylı aksesuarlar	Tip	Kesme donanımı siperliği, Ürün no.
Misina kafa	R25B (Ø 2 mm misina)	529 96 69-01

## Uyumluluk Bildirimi

### AB Uyumluluk Bildirimi

Biz, **Husqvarna AB**, SE-561 82 Huskvarna, İsveç, tel: +46-36-146500 olarak tek sorumlu vasfıyla ürüne ilişkin aşağıdaki beyanlarda bulunmaktayız:

<b>Açıklama</b>	Akülü çim budayıcı
<b>Marka</b>	Husqvarna
<b>Tip/Model</b>	215iL
<b>Kimlik</b>	2024 ve sonrası tarihli seri numaraları

aşağıdaki AB direktifleri ve yönetmelikleriyle tamamen uyumludur:

Direktif/Düzenleme	Açıklama
2006/42/AT	"makinelele ilgili"
2014/30/AB	"elektromanyetik uyumlulukla ilgili"
2000/14/AT	"çevredeki gürültü emisyonlarıyla ilgili"
2011/65/AB	"elektrikli ve elektronik ekipmanlarda belirli tehlikeli maddelerin kullanımının kısıtlanmasına ilişkin"

ve aşağıdaki standartlar ve/veya teknik özellikler uygulanmıştır: EN 60335-1:2012/A15:2021, EN 50636-2-91:2014, EN IEC 63000:2018, EN IEC 55014-1:2021; EN IEC 55014-2:2021.

Onaylanmış kuruluş: 0197 TÜV Rheinland LGA Products GmbH, Tillystraße 2, 90431 Nürnberg, Germany 2000/14/AT konsey direktifi, uyumluluk değerlendirme prosedürü: Ek VI ile uyumluluğu belgelemiştir.

Gürültü emisyonu ile ilgili bilgi için bkz. *Teknik veriler sayfa: 434*.

Huskvarna, 2024-02-01



Claes Losdal, AR-GE Müdürü, Husqvarna AB

Teknik dokümantasyon sorumlusu



## Зміст

Вступ.....	437	Транспортування, зберігання й утилізація.....	450
Безпека.....	438	Технічні характеристики.....	451
Збирання.....	445	Додаткове приладдя.....	452
Експлуатація.....	446	Декларація відповідності.....	453
ТЕХНІЧНЕ ОБСЛУГОВУВАННЯ.....	448	Додаток .....	454
Усунення несправностей.....	449		

---

## Вступ

---

### Опис виробу

Husqvarna 215iL – акумуляторний тример для трави з електричним двигуном.

Ми постійно працюємо над підвищенням вашої безпеки й ефективності роботи. По додаткову інформацію звертайтеся до свого сервісного дилера.

### Призначення

Виріб використовується з неметалевими нитками тримера, неметалевими мотузками й еквівалентними

### Огляд виробу

(Мал. 1)

1. Головка тримера
2. Захисний кожух різальної насадки
3. Вал
4. Регулювання вала (телескопічний механізм)
5. Петельний тримач
6. Кнопкова панель
7. Попереджувальний індикатор кнопкової панелі
8. Кнопка Start/stop
9. Кнопка SavE
10. Механічний пусковий пристрій
11. Фіксатор механічного пускового пристрою
12. Індикатор живлення / попереджувальний індикатор
13. З'єднувач
14. Зарядний пристрій 40-C80
15. Зарядний пристрій QC80
16. Шнур живлення
17. Захисний кожух
18. Попереджувальний індикатор акумулятора
19. Стан акумулятора
20. Кнопка індикатора стану акумулятора
21. Кнопки для виймання акумуляторної батареї
22. Акумулятор
23. Комбінований інструмент
24. Посібник користувача

### Символи на виробі

(Мал. 2) **ПОПЕРЕДЖЕННЯ.** Цей виріб може бути небезпечним і здатний спричинити тяжкі травми або смерть оператора чи сторонніх осіб. Будьте обережні й використовуйте виріб належним чином.

(Мал. 3) Перед використанням виробу уважно прочитайте посібник користувача й переконайтеся, що ви зрозуміли всі інструкції.

неметалевими гнучкими різальними елементами. Не використовуйте виріб для інших завдань, крім косіння бур'янів, трави чи схожої м'якої рослинності.

**Зверніть увагу:** Норми внутрішнього законодавства можуть накладати обмеження на використання цього виробу.

(Мал. 4) Користуйтеся засобами захисту очей.

(Мал. 5) Захищайте від дощу.

(Мал. 6) Етикетка щодо шумових викидів у навколишнє середовище відповідно до вимог директив і нормативних актів ЄС (зокрема законодавства Нового Південного Уельсу) і Сполученого Королівства. Дані про шумове випромінювання вказані на паспортній табличці пристрою, а також у розділі «Технічні дані».

(Мал. 7) Під час роботи стежте за тим, щоб сторонні особи не наблизилися до виробу.

(Мал. 8) Перш ніж проводити технічне обслуговування, від'єднайте акумулятор.

(Мал. 9) Цей виріб і його пакування не можна утилізувати разом із побутовими відходами. Утилізацію необхідно проводити на підприємстві з переробки відходів електричного й електронного обладнання.

(Мал. 10) Виріб відповідає застосовним вимогам директив ЄС.

(Мал. 11) Виріб відповідає вимогам застосовних норм Сполученого Королівства.

(Мал. 12) Постійний струм.

ууууwwxxxx

На таблиці з паспортними даними чи на етикетці вказано серійний номер. **уууу** вказує на рік виготовлення, а **ww** – на тиждень виготовлення.

(Мал. 14) Зарядний пристрій слід використовувати й зберігати лише в приміщенні.

(Мал. 15) Подвійна ізоляція.

## Позначення на акумуляторі та/або на зарядному пристрої

(Мал. 16)

Утилізацію виробу необхідно проводити на підприємстві з переробки відходів електричного й електронного обладнання. (Лише для країн Європи)

(Мал. 13) Захисний ізолюючий трансформатор.

## Пошкодження виробу

Ми не несемо відповідальності за пошкодження, якщо:

- виріб було неправильно відремонтовано;
- виріб було відремонтовано із використанням деталей, виготовлених не виробником або не затверджених ним;
- виріб обладнано аксесуаром, виготовленим не виробником або не затвердженим ним;
- виріб було відремонтовано в неавторизованому сервісному центрі або неавторизованою компанією;

---

# Безпека

---

## Визначення щодо безпеки

Попередження, застереження й примітки служать для наголошення на особливо важливих положеннях посібника.



**ПОПЕРЕДЖЕННЯ:** Вказує на те, що в разі порушення інструкцій, наведених у цьому посібнику, існує небезпека поранення або смерті оператора чи інших осіб, що знаходяться поруч.



**УВАГА:** Вказує на те, що в разі порушення інструкцій, наведених у цьому посібнику, існує небезпека пошкодження виробу, інших матеріалів або навколишніх об'єктів.

**Зверніть увагу:** Використовується для надання додаткової інформації щодо певної ситуації.

## Загальні правила безпеки при роботі з електроінструментами



**ПОПЕРЕДЖЕННЯ:** Прочитайте всі попередження та всі інструкції. Недотримання попереджень та інструкцій може призвести до ураження електричним струмом, пожежі та/або серйозних травм.

**Зверніть увагу: Зберігайте усі попереджувальні знаки й інструкції для звернення до них у майбутньому.** Терміном «електроінструмент» у попередженнях позначається ваш електроінструмент, який працює від електромережі (з кабелем), або акумуляторний (безпроводний) електроінструмент.

## Перш ніж починати роботу

- Завжди виймайте акумулятор, щоб уникнути випадкового вмикання виробу. Завжди виймайте акумулятор перед виконанням технічного обслуговування виробу.
- Перед початком використання виробу та після того, як він зазнав будь-якого удару, перевірте його на ознаки зношеності чи пошкодження та відремонтуйте за потреби.
- Перевірте робочу зону. Приберіть усі незакріплені предмети на кшталт каміння, розбитого скла, цвяхів, сталевих дротів, мотузок тощо, які можуть відскочити чи намотатися на різальний інструмент чи його кожух.
- Перевірте двигун на наявність бруду та тріщин. Очистьте двигун від трави й листя за допомогою щітки. За необхідності треба надягати рукавички.
- Упевніться, що головка тримера повністю під'єднана до тимера.
- Переконайтеся, що виріб у справному стані. Переконайтеся, що гайки й гвинти затягнуто належним чином.
- Переконайтеся, що головка й захисний кожух тримера не мають тріщин і не пошкоджені. Замініть головку тримера та захисний кожух, якщо вони зазнали удару або мають

тріщини. Завжди використовуйте кожух, що рекомендований для встановленої різальної насадки. Дивіться розділ «Технічні дані».

- Під час роботи в радіусі 15 метрів від користувача виробу не повинно бути людей або тварин. Коли в одному місці застосовуються декілька виробів, безпечна відстань між операторами має становити принаймні 15 метрів.
- Перед початком роботи повністю огляньте виріб. Дивіться графік технічного обслуговування.
- Дотримуйтеся вимог національних чи місцевих норм, що стосуються поводження з пристроєм.

## Безпека в робочій зоні

- **Забезпечуйте порядок та добре освітлення в робочій зоні.** Безлад і погане освітлення сприяють нещасним випадкам.
- **Не використовуйте електроінструмент у вибухонебезпечному середовищі, наприклад, у присутності вогненебезпечних рідин, газів або пилу.** Електроінструменти утворюють іскри, які можуть запалити пил або випари.
- **Не підпускайте до себе дітей та сторонніх осіб, коли працюєте з електроінструментом.** Ви можете відволіктися та втратити контроль.

## Електробезпека

- **Вилки інструментів повинні підходити до розетки.** У жодному разі не змінюйте вилку будь-яким чином. Під час роботи із заземленими електроінструментами не використовуйте будь-які перехідники. Незмінені вилки та відповідні розетки зменшують ризик враження електричним струмом.
- **Уникайте тілесного контакту із заземленими поверхнями, такими як труби, радіатори, кухонні плити та холодильники.** Існує підвищений ризик враження електричними струмом, якщо ваше тіло заземлене.
- **Захищайте інструмент від дощу та вологи.** Потраплення води в інструмент збільшує загрозу ураження електричним струмом.
- **Використовуйте кабель лише за призначенням.** Ніколи не використовуйте кабель для перенесення чи перетягування предметів і не тягніть за нього, щоб вийняти вилку з розетки. Тримайте кабель подалі від джерела тепла, мастила, гострих країв або рухомих деталей. Пошкоджений чи заплутаний кабель збільшує ризик враження електричним струмом.
- **Під час експлуатації електроінструмента надворі використовуйте подовжувальний кабель, що підходить для застосування надворі.** Використання кабелю, який підходить для застосування надворі, зменшує ризик враження електричним струмом.
- **Якщо застосування електроінструменту у вологому середовищі є обов'язковим, використовуйте джерело живлення, обладнане пристроєм захисного відключення (ПЗВ).**

Використання ПЗВ знижує ризик ураження електричним струмом.

## Особиста безпека

- **Будьте пильними, слідкуйте за тим, що робите та дотримуйтеся правил здорового глузду під час експлуатації електроінструмента.** Не використовуйте електроінструмент, коли ви стомлені або перебуваєте під впливом наркотиків, алкоголю або лікарських засобів. Втрата уваги на мить під час експлуатації електроінструмента може призвести до серйозної травми.
- **Використовуйте засоби індивідуального захисту.** Обов'язково необхідно користуватися засобами захисту для очей. Захисне спорядження, наприклад респіратор, черевики з нековзною підшовою, каска або захисні навушники за використання у відповідних умовах зменшують ризик травмування.
- **Запобігайте випадковому запуску.** Переконайтеся в тому, що вимикач перебуває у вимкненому положенні, перш ніж підключати інструмент до джерела живлення й / або акумуляторного блока, піднімати або переносити його. Не переносьте електроінструменти, тримаючи палець на вимикачі, і не пускайте напругу на електроінструменти, які увімкнено. Це може призвести до нещасних випадків.
- **Перед вмиканням інструмента приберіть будь-які регульовані або гайкові ключі.** Якщо залишити на обертальній частині гайковий ключ або гайковий вороток, це може призвести до травм.
- **Не тягніться. Завжди стійте твердо на ногах, підтримуйте баланс.** Це дозволить краще контролювати електроінструмент у несподіваних ситуаціях.
- **Одягайтеся правильно.** Не вдягайте просторий широкий одяг, не надягайте на себе ювелірні вироби. Тримайте волосся й одяг подалі від рухомих частин. Просторий широкий одяг, ювелірні вироби або довге волосся можуть потрапити в рухомі деталі.
- **У разі наявності обладнання з видалення й збору пилу переконайтеся в тому, що воно під'єднано та використовується правильно.** Використання обладнання для збору пилу зменшує ризики, поєднані з пилом.
- **Досвід роботи, отриманий під час регулярного використання цього інструмента, не має бути підставою для самовпевненості під час експлуатації виробу й ігнорування правил техніки безпеки.** Необережні дії можуть миттєво призвести до тяжких травм.
- Рівень вібрації при експлуатації електроінструмента може відрізнятись від заявленого загального значення залежно від способу використання інструмента. Оператори повинні визначити належні заходи безпеки, виходячи з оцінки небезпек у реальних умовах

експлуатації (з урахуванням всіх етапів робочого циклу - у тому числі, коли інструмент вимкнений або працює без навантаження (на додаток до часу роботи після запуску курком)).

## Експлуатація та догляд за електроінструментом

- **Не прикладайте силу до електроінструмента. Вибирайте електроінструмент, що підходить для ваших потреб.** Електроінструмент краще, безпечніше та швидше виконає ту роботу, для якої він призначений.
- **Не використовуйте електроінструмент, якщо вимикач не працює.** Будь-який електроінструмент, яким неможливо керувати за допомогою вимикача, є небезпечним та підлягає ремонту.
- **Перед тим як виконувати будь-які налаштування, замінювати приладдя або залишати інструмент на зберігання, витягніть штекер із розетки живлення й / або знімний акумуляторний блок з електроінструмента.** Такі запобіжні заходи зменшують ризик ненавмисного запуску електроінструмента.
- **Вимкнені електроінструменти зберігайте в недоступному для дітей місці й не дозволяйте користуватися ними особам, які не ознайомилися з роботою електроінструмента або з цією інструкцією.** Електричні інструменти становлять небезпеку в руках невідповідних користувачів.
- **Виконуйте технічне обслуговування електроінструментів і приладдя. Перевіряйте електроінструмент на предмет зміщення чи вигину рухомих деталей, поломок деталей та будь-якого іншого стану, що може негативно позначитися на його роботі.** У разі пошкодження відремонтуйте електроінструмент, перш ніж користуватися ним. Багато нещасних випадків виникають внаслідок недостатнього технічного обслуговування електричних інструментів.
- **Підтримуйте різальні елементи в нагостреному та чистому стані.** Різальні елементи, що добре обслуговуються та мають гострі різальні кромки, будуть легше керуватися та з меншою імовірністю будуть заклинати.
- **Використовуйте електроінструмент, приладдя та різці у відповідності з цією інструкцією, враховуючи умови та характер роботи, яку потрібно виконати.** Використання електроінструмента для виконання непередбачених операцій може призвести до небезпечної ситуації.
- **Рукоятки та поверхні для тримання мають бути сухими, чистими й знежиреними.** Неможливо надійно тримати інструмент за слизькі рукоятки чи інші поверхні або керувати ним у непередбачених ситуаціях.

## Використання інструментів з акумуляторною батареєю та догляд за ними

- **Заряджати акумулятор треба виключно за допомогою заряджального пристрою, зазначеного виробником.** Використання заряджального пристрою, призначеного для роботи з акумуляторами одного типу, з акумуляторами іншого типу може призвести до пожежі.
- **Використовуйте пристрої лише із сумісними акумуляторними блоками.** Використання акумуляторних батарей інших типів може призвести до травмування чи пожежі.
- **Якщо акумуляторний блок не використовується, слід тримати його подалі від металевих предметів, таких як скріпки, монети, ключі, цвяхи, гвинти й інші дрібні металеві предмети, які можуть з'єднати один контакт батареї з іншим.** Замикання контактів акумулятора може призвести до опіків або пожежі.
- **У разі неправильного застосування з акумулятора може випліскуватися рідина; уникайте контакту з нею.** При випадковому контакті промийте місце контакту водою. В разі потраплення рідини в очі на додаток до їхнього інтенсивного промивання зверніться по медичну допомогу. Рідина з акумуляторної батареї може викликати подразнення та опіки.
- **Не використовуйте пошкоджені чи змінені акумуляторні блоки або інструмент.** Із пошкодженими чи видозміненими батареями може статися непередбачуване: вони можуть зайнятися, вибухнути або створити інший ризик травмування оператора.
- **Захищайте акумуляторний блок та інструмент від вогню й надмірних температур.** Під впливом вогню або температури понад 130 °C пристрій чи акумуляторний блок можуть вибухнути.
- **Дотримуйтеся всіх інструкцій із заряджання та не заряджайте акумуляторну батарею чи інструмент поза межами діапазону температур, зазначеного в інструкціях.** Неналежне заряджання за температури поза межами зазначеного діапазону може пошкодити акумулятор і підвищує ризик займання.

## Обслуговування

- **Сервісне обслуговування електроінструмента повинен виконувати кваліфікований майстер з використанням лише ідентичних запасних частин.** Це гарантуватиме підтримання безпечної роботи електроінструмента.
- **За жодних умов не виконуйте технічного обслуговування пошкоджених акумуляторних блоків.** Технічне обслуговування акумуляторних блоків мають виконувати лише спеціалісти виробника або вповноваженого постачальника послуг.



## Завжди використовуйте здоровий глузд

Неможливо передбачити в посібнику всі ситуації, які можуть виникнути під час використання пристрою. Завжди будьте обережні та керуйтеся здоровим глуздом. Уникайте ситуацій, які виходять за межі ваших можливостей. Якщо після ознайомлення з інструкціями у вас залишається сумнів щодо того, як користуватися інструментом, перед продовженням необхідно проконсультуватися у спеціаліста.



**ПОПЕРЕДЖЕННЯ:** Ніколи не дозволяйте дітям використовувати інструмент чи знаходитися біля нього. Оскільки запустити пристрій досить просто, діти можуть це зробити, якщо залишити їх без нагляду. Це може означати ризик серйозної травми. Тому слід від'єднувати елемент живлення, якщо пристрій перебуває без нагляду.

## Загальні правила техніки безпеки



**ПОПЕРЕДЖЕННЯ:** Перш ніж розпочати використання виробу, уважно прочитайте наведені нижче попередження.

- Виймайте акумулятор, щоб уникнути випадкового вмикання виробу.
- У разі неправильного або недбалого використання цей виріб може становити небезпеку. Він може спричинити серйозні травми або загибель оператора чи сторонніх осіб.
- Не використовуйте виріб у разі зміни його початкових технічних характеристик. Не замініть деталі виробу без дозволу виробника. Використовуйте лише сертифіковані виробником деталі. Неправильне технічне обслуговування може призвести до травм або смерті.
- Перевірте виріб перед використанням. Див. *Перш ніж починати роботу на сторінці 438* і *Перед початком роботи з виробом на сторінці 446*. Не використовуйте виріб, який пошкоджений або не працює належним чином. Вживайте заходи техніки безпеки та дотримуйтеся вказівок із технічного обслуговування, наведених у цьому посібнику.
- Необхідно наглядати за дітьми, щоб вони не гралися з цим виробом. Ніколи не дозволяйте дітям або непідготовленим людям використовувати виріб і / або акумулятор чи здійснювати його технічне обслуговування. Вік користувача може регламентуватися місцевими законами.
- Зберігайте виріб у закритому приміщенні, куди не матимуть доступу діти й особи без належної підготовки.
- Зберігайте акумулятор у недосяжному для дітей місці.

- За жодних обставин не змінюйте конструкцію виробу без дозволу виробника. Використовуйте лише оригінальні приладдя. Застосування недозволених модифікацій чи приладдя може призвести до тяжкої чи смертельної травми користувача чи інших осіб.

**Зверніть увагу:** Дотримуйтеся вимог державних чи місцевих норм, що стосуються поведінки з пристроєм.

## Правила техніки безпеки під час використання виробу



**ПОПЕРЕДЖЕННЯ:** Перш ніж розпочати використання виробу, уважно прочитайте наведені нижче попередження.

- **Не використовуйте інструмент за поганих погодних умов, особливо якщо є ризик удару блискавки.** Недотримання цієї вимоги підвищує ризик удару блискавкою.
- **Ретельно огляньте ділянку, де використовуватиметься інструмент, на наявність будь-якої живності.** Під час використання інструмента ви можете завдати шкоди тваринам.
- **Ретельно перевірте ділянку, де використовуватиметься пристрій, і приберіть каміння, палиці, проводи, кістки й інші сторонні предмети.** Предмети, що розлітаються, можуть спричинити серйозні травми.
- **Перед використанням інструмента завжди оглядайте фрезу й різальний пристрій на наявність пошкоджень.** Пошкоджені деталі підвищують ризик травмування.
- **Захист має бути встановлено на своєму місці. Захист повинен перебувати в робочому стані й має бути належним чином установлений.** Погано закріплений, пошкоджений або не функціонуючий належним чином захист може призвести до травмування.
- **Не допускайте засмічення вентиляційних отворів.** Заблоковані вентиляційні отвори та сміття можуть призвести до перегріву або виникнення пожежі.
- **Завжди надягайте засоби захисту очей і захисні навушники.** Відповідне захисне обладнання зменшить ризик травмування.
- **Працюйте з інструментом завжди в захисному взутті, що не ковзає. Не використовуйте інструмент босоніж або у відкритих сандалях.** Це зменшує ймовірність травмування ніг від контакту з рухомою фрезою.
- **Під час використання інструмента необхідно носити штани, що закривають ноги.** Контакт із рухомою фрезою або волосінням може призвести до травмування.

- **Не пускайте сторонніх осіб у робочу зону.** Сміття, що розлітається, може призвести до серйозних травм.
- **Під час використання інструмента не підіймайте його вище поясу.** Це допоможе уникнути небажаних контактів із фрезою та дасть змогу краще контролювати інструмент у непередбачених ситуаціях.
- **Будьте обережні під час використання інструмента в мокрій траві. Пересувайтеся повільно, ніколи не біжіть.** Це зменшує ризик ковзання та падіння, яке може призвести до травмування.
- **Не використовуйте інструмент на надмірно крутих схилах.** Це зменшує ризик втрати контролю, ковзання та падіння, яке може призвести до травмування.
- **Під час роботи на схилах завжди впевнено стійте на ногах, косіть поперек схилів і ніколи вгору або вниз, і будьте надзвичайно обережні під час зміни напрямку.** Це зменшує ризик втрати контролю, ковзання та падіння, яке може призвести до травмування.
- **Тримайте всі силові кабелі подалі від зони скошування.** Під час роботи можна не помітити силові кабелі в кущах і випадково перерізати або пошкодити їх волосінням або фрезою.
- **Не наближайте будь-які частини тіла до рухомої фрези тримера або волосіні. Перш ніж чистити інструмент, від'єднуйте його від джерела живлення.** Контакт із рухомою фрезою або волосінням може призвести до серйозної травми.
- **Носіть інструмент вимкненим і тримайте при цьому подалі від тіла.** Правильне поводження з інструментом зменшить ймовірність випадкового контакту з рухомою фрезою тримера або волосінням.
- **Використовуйте лише змінні різальні головки й фрези тримера або волосіні, указані виробником. Не використовуйте замість фрези тримера або волосіні металеві дроти або леза.** Неправильні змінні деталі можуть призвести до втрати контролю, поломки та травми.

## Засоби індивідуального захисту



**ПОПЕРЕДЖЕННЯ:** Перш ніж розпочати використання виробу, уважно прочитайте наведені нижче попередження.

- Під час роботи з виробом завжди використовуйте сертифіковані засоби індивідуального захисту. Засоби індивідуального захисту не можуть повністю усунути небезпеку травмування, але в разі нещасного випадку знизять ступінь тяжкості травми. Дозвольте дилеру допомогти вам із вибором відповідного обладнання.
- Користуйтеся затвердженими захисними навушниками.

(Мал. 17)

- Користуйтеся відповідними засобами захисту очей. У разі використання захисної маски необхідно додатково вдягати схвалені захисні окуляри. Схвалені захисні окуляри мають відповідати стандарту ANSI Z87.1 у США або EN 166 у країнах ЄС.

(Мал. 18)

- За потреби використовуйте рукавиці, наприклад якщо необхідно приєднати, оглянути або почистити різальне обладнання.

(Мал. 19)

- Використовуйте захисне взуття зі сталевими носками й неслизькою підошвою.

(Мал. 20)

- Використовуйте одяг, виготовлений із міцної тканини. Завжди використовуйте довгі штани з міцної тканини й сорочку з довгими рукавами. Уникайте надто просторого одягу, який може зачепитися за сучки або гілки. Не надягайте на час роботи прикраси, короткі штани чи сандалії. Не ходіть босоніж. Заколуйте волосся вище рівня плечей.
- Тримайте під рукою аптечку.

(Мал. 21)

## Запобіжне обладнання на виробі



**ПОПЕРЕДЖЕННЯ:** Перш ніж розпочати використання виробу, уважно прочитайте наведені нижче попередження.

У цьому розділі описано засоби безпеки виробу, його призначення, а також порядок виконання перевірок і технічного обслуговування, необхідний для забезпечення його правильної роботи. Див. інструкції в розділі *Вступ на сторінці 437* щодо розташування цих деталей на виробі.

Термін служби виробу може зменшитись, а небезпека виникнення нещасних випадків збільшиться, якщо його технічне обслуговування виконується неправильно або якщо обслуговування та / або ремонт виконуються непрофесійно. Для отримання додаткової інформації зверніться до найближчого сервісного дилера.



**ПОПЕРЕДЖЕННЯ:** Не використовуйте виріб із пошкодженими елементами захисту. Захисне обладнання виробу потрібно перевіряти й здійснювати його технічне обслуговування згідно з указівками, поданими в цьому розділі. Якщо виріб не відповідає хоча б одній із вимог перевірки, зверніться до центру обслуговування для ремонту.



**УВАГА:** Щоб проводити обслуговування та роботи з ремонту, потрібно мати спеціальну підготовку. Це особливо стосується захисного обладнання інструмента. Якщо інструмент не відповідає прийнятнім одній із вимог перевірки, що наведені нижче, зверніться до працівника центру обслуговування. Купуючи будь-який наш виріб, ви отримуєте гарантію на професійний ремонт та обслуговування. Якщо продавець, у якого ви купуєте інструмент, не надає послуг з обслуговування, дізнайтеся в нього, де знаходиться найближчий центр обслуговування.

#### Перевірка клавішної панелі

1. Натисніть і утримуйте кнопку ввімкнення / вимкнення (A). (Мал. 22)
  - a) Коли світлодіодний індикатор (B) горить, це означає, що виріб увімкнено.
  - b) Коли світлодіодний індикатор (B) не горить, це означає, що виріб вимкнено.
2. Якщо індикатор попередження (C) горить або блимає, див. *Кнопкова панель на сторінці 449.*

#### Перевірка фіксатора механічного пускового пристрою

Фіксатор механічного пускового пристрою запобігає випадковому запуску. Коли ви натискаєте на фіксатор (A), він розблоковує механічний пусковий пристрій (B). Коли ви випускаєте рукоятку з рук, фіксатор і механічний пусковий пристрій повертаються в початкове положення. (Мал. 23)

1. Переконайтеся у тому, що механічний пусковий пристрій заблоковано, коли фіксатор механічного пускового пристрою перебуває у вихідному положенні. (Мал. 24)
2. Натисніть механічний пусковий пристрій і переконайтеся, що він повертається до початкового положення, коли ви відпускаєте його. (Мал. 25)
3. Переконайтеся, що механічний пусковий пристрій і фіксатор рухаються вільно, а зворотна пружина працює належним чином. (Мал. 26)
4. Запустіть виріб. Див. *Увімкнення виробу на сторінці 447.*
5. Увімкніть інструмент на повну потужність.
6. Відпустіть механічний пусковий пристрій і переконайтеся в тому, що різальна насадка зупинилася.

#### Перевірка захисного кожуха ріжучої насадки



#### ПОПЕРЕДЖЕННЯ:

Забороняється використовувати ріжучу насадку без сертифікованого й правильно встановленого захисного кожуха. Використовуйте лише рекомендований для вашої різальної насадки захисний кожух. Див. *Технічні характеристики на сторінці 451.* Використання несправного чи несумісного захисного кожуха різальної насадки може спричинити тяжкі травми.

Захисний кожух шини пилки захищає від відкидання предметів у напрямку оператора. Захисний кожух різальної насадки також запобігає травмуванню в результаті торкання різальної насадки.

1. Зупиніть двигун.
2. Проведіть візуальну перевірку на предмет пошкоджень на кшталт тріщин.
3. Якщо захисний кожух ріжучої насадки пошкоджений, замініть його.

#### Різальне обладнання

Вибирайте правильне різальне обладнання й виконуйте технічне обслуговування різального обладнання, щоб:

- отримати максимальну продуктивність різання;
- збільшити термін служби різального обладнання.



**ПОПЕРЕДЖЕННЯ:** Користуйтеся різальними насадками лише з рекомендованими кожухами! Див. *Технічні характеристики на сторінці 451.* Щоб вибрати правильний спосіб установаження нитки тримера та її правильний діаметр, дивіться вказівки щодо різальних насадок.



**ПОПЕРЕДЖЕННЯ:** Пошкоджена різальна насадка може збільшувати ризик нещасних випадків.



**ПОПЕРЕДЖЕННЯ:** Завжди зупиняйте двигун перед будь-якими маніпуляціями з різальною насадкою. Вона продовжує обертатися навіть після того, як елемент керування дроселем відпущено. Переконайтеся в тому, що різальна насадка повністю зупинилася, і від'єднайте ковпак свічки запалювання, перш ніж починати роботу з насадкою.

## Головка тримера



**ПОПЕРЕДЖЕННЯ:** Обов'язково переконайтеся, що нитка тримера надійно й рівномірно намотана на барабан, інакше під час роботи може виникати шкідлива вібрація.

(Мал. 27)

- Використовуйте лише рекомендовані головки й нитки тримера.
- Користуйтеся лише рекомендованими різальними насадками.
- Для інструмента меншого розміру потрібні менші тримерні головки й навіпки.
- Довжина нитки тримера має значення. Довша нитка тримера вимагає потужнішого двигуна, ніж коротша нитка такого ж діаметру.
- Переконайтеся, що ніж на кожусі тримера в порядку. Він обрізує нитку до потрібної довжини.
- Щоб збільшити термін служби нитки тримера, її можна вимочувати у воді протягом декількох днів.

## Заходи безпеки під час роботи з акумуляторами



**ПОПЕРЕДЖЕННЯ:** Перш ніж розпочати використання виробу, уважно прочитайте наведені нижче попередження.

- Використовуйте акумулятори тільки серії BLi та 40-B. Для отримання додаткової інформації див. *Технічні характеристики на сторінці 451*. Акумулятор програмно задований.
- Використовуйте акумулятори серії BLi та 40-B, які можна заряджати, для живлення тільки відповідних виробів Husqvarna. Щоб уникнути травмування, заборонено використовувати акумулятор як джерело живлення для інших приладів.
- Небезпека враження електричним струмом. Заборонено під'єднувати клеми акумулятора до ключів, монет, гвинтів або інших металевих предметів. Це може призвести до короткого замикання в акумуляторі.
- Не використовуйте одноразові акумулятори.
- Заборонено вставляти предмети у вентиляційні отвори акумулятора.
- Тримайте акумулятор подалі від прямих сонячних променів, джерел тепла й відкритого вогню. Акумулятор може призвести до опіків та/або хімічних опіків.
- Бережіть акумулятор від дощу та вологи.
- Захищайте акумулятор від впливу мікрохвиль чи високого тиску.
- Заборонено розбирати чи ламати акумулятор.

- У разі витікання рідини з акумулятора стежте, щоб вона не потрапила на тіло чи в очі. Якщо рідина потрапила на шкіру, промийте уражену ділянку великою кількістю води з милом та зверніться по медичну допомогу. Якщо рідина потрапила в очі, не слід їх терти; натомість промивайте їх водою протягом щонайменше 15 хвилин та зверніться по медичну допомогу.
- Акумулятор можна використовувати за температури від  $-10^{\circ}\text{C}$  до  $40^{\circ}\text{C}$ .
- Заборонено мити батарею чи заряджальний пристрій водою. Дивіться розділ *Чищення виробу, акумулятора й зарядного пристрою на сторінці 449*.
- Не використовуйте несправний чи пошкоджений акумулятор.
- Зберігайте акумулятори подалі від металевих предметів на кшталт цвяхів, гвинтів чи ювелірних виробів.
- Тримайте акумулятор подалі від дітей.

## Заходи безпеки під час роботи із зарядним пристроєм



**ПОПЕРЕДЖЕННЯ:** Перш ніж розпочати використання виробу, уважно прочитайте наведені нижче попередження.

- Через недотримання правил техніки безпеки може виникнути ризик ураження електричним струмом або короткого замикання.
- Заборонено використовувати будь-які інші зарядні пристрої, окрім того, що йде в комплекті до виробу. Для заряджання змінних акумуляторів серії BLi та 40-B використовуйте лише зарядні пристрої QC80 та 40-C80.
- Заборонено розбирати зарядний пристрій.
- Не використовуйте зарядний пристрій із ознаками пошкодження.
- Заборонено підіймати зарядний пристрій, тримаючи його за шнур живлення. Щоб від'єднати зарядний пристрій від настінної розетки, витягніть штепсельну вилку. У жодному разі не тягніть за шнур живлення.
- Пильнуйте, щоб усі кабелі та подовжувальні шнури були якомога далі від води, мастил і гострих кутів. Переконайтеся в тому, що кабель не здавлено сторонніми предметами, наприклад дверима, огорожею або аналогічними предметами.
- Заборонено використовувати зарядний пристрій поблизу легкозаймистих або корозійних матеріалів. Переконайтеся в тому, що зарядний пристрій нічим не накритий. При появі диму чи вогню витягніть штепсель зарядного пристрою з розетки.
- Заряджати акумулятор слід тільки в добре провітрюваних приміщеннях та подалі від

сонячного світла. Не заряджайте акумулятор надворі. Не заряджайте акумулятор у вологому середовищі.

- Використовуйте зарядний пристрій лише в приміщеннях із температурою від 5 °C (41 °F) до 40 °C (104 °F). Використовуйте зарядний пристрій лише в сухому приміщенні з належною вентиляцією, в якому немає пилу.
- Забороняється вставляти предмети у вентиляційні отвори зарядного пристрою.
- Заборонено з'єднувати контакти зарядного пристрою металевими предметами, оскільки це може призвести до короткого замикання.
- Використовуйте справні розетки відповідного типу. Переконайтеся в тому, що шнур зарядного пристрою не пошкоджено. Якщо використовуються подовжувачі, переконайтеся в тому, що вони не пошкоджені.
- Не намагайтеся заряджати одноразові батареї за допомогою зарядного пристрою.

## Правила техніки безпеки під час обслуговування



**ПОПЕРЕДЖЕННЯ:** Перш ніж розпочати технічне обслуговування

виробу, уважно прочитайте наведені нижче попередження.

- Перед технічним обслуговуванням, іншими перевітками чи монтажем виробу необхідно виймати акумулятор.
- Оператор має виконувати лише ті види технічного обслуговування, що описані в цьому посібнику користувача. У разі необхідності виконання складніших робіт із технічного обслуговування слід звернутися до сервісного дилера.
- Заборонено мити батарею чи зарядний пристрій водою. Використання сильнодіючих миючих засобів може призвести до пошкодження пластику.
- Відсутність технічного обслуговування зменшує термін служби виробу й підвищує вірогідність виникнення нещасних випадків.
- Для виконання робіт з обслуговування й ремонту, особливо в разі роботи із захисними пристроями виробу, необхідна спеціальна підготовка. Якщо після технічного обслуговування виріб не пройде частину перевірок, наведених у цьому посібнику користувача, зверніться до свого сервісного дилера. Ми гарантуємо можливість професійного ремонту й обслуговування вашого виробу.
- Використовуйте лише оригінальні запасні частини.

## Збирання

### Вступ



**ПОПЕРЕДЖЕННЯ:** Перед збиранням виробу уважно прочитайте розділ про правила техніки безпеки.

3. Затягніть гвинти.
4. Відрегулюйте робоче положення петельного тримача. Див. *Регулювання петельного тримача й телескопічного вала на сторінці 447.*

### Монтаж кожуха тримера

1. Установіть кожух тримера на корпус двигуна. (Мал. 28).
2. Пропустіть болт крізь корпус двигуна та кожух тримера. (Мал. 29)
3. Закрутіть болт.

### Установлення захисного кожуха

1. Установіть захисний кожух в отвори на корпусі двигуна. (Мал. 32)
2. Упевніться, що захисний кожух може вільно рухатися вперед і назад. (Мал. 33)

### Монтаж тримерної головки

1. Обертайте вихідний вал, доки отвір приводного диска не опиниться напроти отвору в корпусі редуктора.
2. Вставте стопорний штифт в отвір, щоб зафіксувати вал.
3. Поверніть головку тримера проти годинникової стрілки. (Мал. 30)



**УВАГА:** Не використовуйте електричний шурупверт для закріплення зарядного пристрою на стіні. Електричний шурупверт може пошкодити зарядний пристрій.

### Монтаж петельного тримача

1. Вставте гвинт у петельний тримач. (Мал. 31)
2. Установіть петельний тримач у кріплення на валу.

1. Прикріпіть зарядний пристрій до стіни 2 гвинтами (B). Якщо треба, скористайтеся дюбелями (A). (Мал. 34)
2. Встановіть 2 заглушки для гвинтових отворів (C).
3. Під'єднайте кабель живлення до заряджального пристрою та електричної розетки.

## Експлуатація

### Вступ



**ПОПЕРЕДЖЕННЯ:** Перед використанням виробу уважно прочитайте розділ про правила техніки безпеки.

### Перед початком роботи з виробом

- Огляньте робочу ділянку й переконайтеся, що ви ознайомилися з видом місцевості. Огляньте нахил землі та наявність перешкод на кшталт каменів, гілок та ям.
- Проведіть загальний огляд виробу.
- Проведіть перевірки безпеки, технічне й інше обслуговування, наведені в цьому керівництві.
- Перевірте двигун на наявність бруду чи тріщин. За допомогою щітки приберіть із двигуна траву й листя. За необхідності використовуйте рукавиці.
- Перевірте головку тримера й захисний кожух різальної насадки на наявність пошкоджень або тріщин. Якщо головка тримера або захисний кожух різальної насадки пошкоджені або мають тріщини, замініть їх.
- Переконайтеся, що всі гайки й гвинти затягнуто.
- Перш ніж запустити виріб, переконайтеся, що всі кришки, захисні кожухи, ручки й різальне обладнання встановлено правильно та не пошкоджено.

### Акумулятор



**ПОПЕРЕДЖЕННЯ:** Перед використанням акумулятора уважно прочитайте розділ про правила техніки безпеки. Прочитайте посібник користувача для акумулятора й заряджального пристрою та усвідомте його зміст.

Дотримуйтеся вимог щодо температури навколишнього середовища для акумулятора й заряджального пристрою.

	Температура навколишнього середовища
Використання акумулятора	5 °C–40 °C / 41 °F–104 °F
Заряджання акумулятора	5 °C–40 °C / 41 °F–104 °F

### Стан акумулятора

На дисплеї відображаються поточний рівень заряду акумулятора й можливі проблеми під час його роботи.

(Мал. 35)

Світлодіодний індикатор	Стан акумулятора (рівень заряду)	
	BLi10, BLi20	40-B70, 40-B140
Горить 4 індикатори	Не застосовується	Акумулятор заряджений на 76–100 %.
Горить 3 індикатори	Акумулятор заряджений на 76–100 %.	Акумулятор заряджений на 51–75 %.
Горить 2 індикатори	Акумулятор заряджений на 51–75 %.	Акумулятор заряджений на 26–50 %.
Горить 1 індикатор	Акумулятор заряджений на 26–50 %.	Акумулятор заряджений на 6–25 %.
Блимає 1 індикатор	Акумулятор заряджений на 0–25 %.	Акумулятор заряджений на 0–5 %.

### Заряджання акумулятора

Перед першим використанням акумулятор необхідно зарядити. Новий акумулятор заряджений лише на 30 %.



**УВАГА:** Зарядний пристрій слід під'єднувати до мереж живлення, напруга й частота яких відповідають значенням, указаним на таблиці з паспортними даними.

Акумулятор не заряджатиметься, якщо його температура перевищує 50 °C (122 °F).

1. Під'єднайте шнур живлення до зарядного пристрою.
2. Під'єднайте зарядний пристрій до заземленої розетки. Світлодіодний індикатор заряджання блимне один раз. (Мал. 36)
3. Під'єднайте акумулятор до зарядного пристрою. Увімкнеться індикатор заряджання. Тривалість заряджання акумулятора не має перевищувати 24 години. (Мал. 37)
4. Натисніть кнопку індикатора акумулятора; якщо всі світлодіодні індикатори засвітяться, акумулятор повністю заряджений.
5. Потягніть штепсельну вилку, щоб від'єднати зарядний пристрій від розетки чи роз'єму живлення. У жодному разі не тягніть за шнур живлення.
6. Вийміть акумулятор із зарядного пристрою.

## Під'єднання акумулятора до виробу



### ПОПЕРЕДЖЕННЯ:

Використовуйте з інструментом лише акумулятори Husqvarna.

1. Повністю зарядіть акумулятор.
2. Вставте акумулятор у тримач акумулятора виробу. Акумулятор зафіксується на місці, коли ви почуєте клацання. (Мал. 38)



**УВАГА:** Якщо акумулятор не вставляється в тримач легко, ви встановлюєте його неправильно. Це може призвести до пошкодження виробу.

## Увімкнення виробу

1. Натисніть кнопку запуску/зупинки й утримуйте її, доки не увімкнеться зелений світлодіодний індикатор. (Мал. 39)
2. Натисніть фіксатор механічного пускового пристрою та пусковий пристрій. Різальне обладнання почне обертатися.

## Регулювання петельного тримача й телескопічного вала

1. Відпустіть ручку затискача та відрегулюйте положення петельного тримача. (Мал. 40)
2. Закрийте ручку затискача.
3. Відпустіть важіль на валу. (Мал. 41)
4. Відрегулюйте довжину вала. Упевніться, що трикутник на валі помітний. (Мал. 42)
5. Закрийте важіль і закрутіть гвинт.

**Зверніть увагу:** Не закріплюйте петельний тримач поверх попереджувальних наклеюк на валі.

## Використання функції SaveE

Цей виріб оснащений функцією енергозбереження – SaveE.

**Зверніть увагу:** Функція SaveE не знижує потужність різання виробу.

1. Натисніть кнопку SaveE на кнопковій панелі.
2. Переконайтеся в тому, що зелений світлодіодний індикатор увімкнувся.
3. Для вимкнення функції натисніть кнопку SaveE ще раз. Зелений світлодіодний індикатор вимкнеться. (Мал. 43)

## Функція автоматичного вимкнення

Виріб має функцію вимкнення, яка зупиняє його, якщо він не використовується. Зелений індикатор для ввімкнення / вимкнення вимикається, а виріб припиняє роботу через 180 секунд.

## Робота з виробом

### Підстригання трави

1. Тримайте головку тримера під кутом безпосередньо над землею. Не вдавлийте нитку тримера в траву. (Мал. 44)
2. Зменште довжину нитки тримера на 10–12 см / 4–4,75 дюйма.
3. Зменште частоту обертання двигуна, щоб зменшити ризик пошкодження рослин.
4. Під час зрізання трави поблизу предметів використовуйте 80 % потужності. (Мал. 45)

### Проріджування трави

1. Тримайте головку тримера над землею.
2. Нахиліть її.
3. Скошуйте траву навколо предметів кінчиками нитки.



**УВАГА:** Скошіть траву. Потрапляння нитки на інші предмети прискорює її зношування.

### Зрізання трави

1. Під час зрізання трави нитка тримера має бути паралельна землі. (Мал. 46)
2. Не вдавливайте голівку тримера в землю. Це може призвести до пошкодження виробу.

3. Під час зрізання трави переміщуйте виріб зі сторони в сторону. Використовуйте максимальну швидкість. (Мал. 47)

це дозволить уникнути розбалансування й вібрації в рукоятках. Крім того, перевіряйте інші частини головки тримера й за необхідності очищуйте їх.

### Підмітання трави

Потік повітря від нитки тримера, що обертається, можна використати для прибирання трави.

1. Утримуйте головку та нитку тримера над землею й паралельно землі.
2. Повністю натисніть курок газу.
3. Переміщуйте головку тримера зі сторони в сторону й підмітайте таким чином траву.



**ПОПЕРЕДЖЕННЯ:** Очищуйте кришку головки тримера кожний раз під час встановлення нової нитки, адже

### Вимкнення виробу

1. Відпустіть механічний пусковий пристрій і його фіксатор.
2. Натискайте кнопку запуску / зупинки, доки зелений світлодіодний індикатор не вимкнеться.
3. Натисніть кнопки виймання на акумуляторі й витягніть його з інструмента. (Мал. 48)

### Заміна нитки тримера

Див. останню сторінку цього посібника користувача.

## ТЕХНІЧНЕ ОБСЛУГОВУВАННЯ

### Вступ



**ПОПЕРЕДЖЕННЯ:** Перед технічним обслуговуванням уважно прочитайте розділ про правила техніки безпеки.

Нижче наведено перелік заходів технічного обслуговування, які слід виконувати. Щоб отримати більше інформації, див. *ТЕХНІЧНЕ ОБСЛУГОВУВАННЯ* на сторінці 448.

### Графік технічного обслуговування



**ПОПЕРЕДЖЕННЯ:** Перед технічним обслуговуванням необхідно виймати акумулятор.

Технічне обслуговування	Щодня	Щотижня	Щомісяця
Очистьте зовнішні деталі виробу сухою ганчіркою. Не використовуйте воду.	X		
Переконайтеся, що кнопка запуску / зупинки працює правильно й не пошкоджена.	X		
Переконайтеся в тому, що механічний пусковий пристрій і його фіксатор працюють правильно з точки зору безпеки.	X		
Переконайтеся, що всі елементи керування працюють і не пошкоджені.	X		
Рукоятки мають бути сухими, незабрудненими й очищеними від масла та мастила.	X		
Переконайтеся, що ріжуча насадка не пошкоджена. Якщо насадка пошкоджена, замініть її.	X		
Переконайтеся, що кожух ріжучої насадки не пошкоджений. Якщо захисний кожух ріжучої насадки пошкоджений, замініть його.	X		
Переконайтеся в тому, що всі гвинти й гайки затягнуті.	X		
Переконайтеся, що кнопки фіксатора на акумуляторі в справному стані та надійно утримують акумулятор виробу.	X		



Технічне обслуговування	Щодня	Щотижня	Щомісяця
Перевірте, щоб зарядний пристрій не був пошкоджений і правильно функціонував.	X		
Перевірте акумулятор на відсутність пошкоджень.	X		
Переконайтеся, що акумулятор заряджений.	X		
Переконайтеся, що зарядний пристрій не пошкоджений.	X		
Перевірте всі кабелі та з'єднання. Переконайтеся, що вони не пошкоджені та не брудні.		X	
Перевірте з'єднання між акумулятором і виробом. Перевірте з'єднання між акумулятором і зарядним пристроєм.			X

### Перевірка акумулятора й зарядного пристрою

1. Перевірте акумулятор на наявність пошкоджень на кшталт тріщин.
2. Перевірте зарядний пристрій на наявність пошкоджень на кшталт тріщин.
3. Перевірте з'єднувальний шнур зарядного пристрою на предмет пошкоджень і тріщин.

### Чищення виробу, акумулятора й зарядного пристрою

1. Після використання протріть виріб сухою тканиною.
2. Протріть сухою тканиною акумулятор і зарядний пристрій. Тримайте напрямні рейки акумулятора в чистоті.

3. Перед встановленням акумулятора в зарядний пристрій чи виріб переконайтеся, що контакти акумулятора й зарядного пристрою чисті.

### Огляд і заміна головки косарки

1. Огляньте головку косарки на відсутність пошкоджень і тріщин.
2. Витягніть жолоб у зборі для шнура косарки.
3. Зніміть головку тримера. (Мал. 49)
4. Замініть головку косарки.
5. Установіть головку косарки. Див. *Монтаж тримерної головки на сторінці 445.*

## Усунення несправностей

### Кнопкова панель

Світлодіодний екран	Можливі несправності	Можливі рішення
Блимає світлодіодний індикатор помилки.	Перевантаження	Різальна насадка не може рухатися вільно. Вивільніть шину пилки
	Відхилення температури від норми	Дайте виробу охолонути.
Виріб не запускається.	Натисніть механічний пусковий пристрій і одночасно натисніть кнопку запуску.	Відпустіть механічний пусковий пристрій і зупиніть пристрій.
Світлодіодний індикатор помилки світиться червоним світлом.	Необхідно виконати обслуговування виробу	Зверніться до свого дилера з обслуговування.

## Акумулятор

Світлодіодний дисплей	Можливі несправності	Рекомендовані дії
Блимає зелений світлодіод.	Недостатня напруга акумуляторної батареї.	Зарядіть акумулятор.
Блимає світлодіодний індикатор помилки.	Відхилення температури від норми.	Акумулятор дозволяється використовувати за температури від –10 °C (14 °F) до 40 °C (104 °F).
	Занадто висока напруга.	Упевніться, що напруга в мережі відповідає значенню, зазначеному в паспортній таблиці інструмента. Вийміть акумулятор із зарядного пристрою.
Горить світлодіодний індикатор помилки.	Завелика різниця напруги між елементами акумуляторної батареї (1 В).	Зверніться до свого дилера з обслуговування.

## Зарядний пристрій

Несправність	Можливі несправності	Можливе рішення
Індикатор заряджання світиться червоним.	Систематична помилка зарядного пристрою.	Зверніться до дилера.
Індикатор заряджання блимає зеленим.	Акумулятор є надто холодним або надто гарячим для використання чи заряджання.	Дайте акумулятору охолонути або підігрійте його. Коли температура акумулятора досягне прийнятних значень, його можна буде знову використовувати або заряджати. Зарядний пристрій дозволяється використовувати за температури навколишнього середовища від 5 °C (41 °F) до 40 °C (104 °F).
Індикатор заряджання блимає червоним.	Акумулятор несправний.	Зверніться до дилера.

## Транспортування, зберігання й утилізація

### Транспортування та зберігання

- На літій-іонні акумулятори поширюються правила щодо небезпечного вантажу.
- У разі перевезення пасажирським або вантажним транспортом дотримуйтеся спеціальних вимог щодо упаковки й маркування (це правило також стосується третіх осіб і експедиторів).
- Перш ніж відправити виріб, проконсультуйтеся з особою, що пройшла спеціальну підготовку щодо поводження з небезпечними матеріалами.

Дотримуйтеся всіх застосовних національних норм і правил.

- Перед пакуванням акумулятора ізолюйте відкриті контакти. Зафіксуйте акумулятор в упаковці, щоб він не рухався.
- Готуючись до зберігання чи транспортування інструмента, завжди слід виймати акумулятор.
- Зберігайте акумулятор і зарядний пристрій у сухих приміщеннях, захищених від вологи й низьких температур.

- Заборонено зберігати акумулятор у місці, де можуть утворюватися статичні заряди. Не зберігайте акумулятор у металевій коробці.
- Зберігайте акумулятор за температури 5–25 °C (41–77 °F) у захищеному від прямих сонячних променів місці.
- Зберігайте зарядний пристрій за температури 5–45 °C (41–113 °F) у захищеному від прямих сонячних променів місці.
- Використовуйте зарядний пристрій лише за температури навколишнього середовища 5–40 °C (41–104 °F).
- Перед довготривалим зберіганням акумулятор необхідно зарядити на 30–50 %.
- Зберігайте зарядний пристрій у сухому закритому приміщенні.
- Зберігайте акумулятор і зарядний пристрій окремо. Не дозволяйте дітям й іншим особам без належної підготовки торкатися обладнання. Зберігайте обладнання в приміщеннях, які можна закрити на замок.
- Перед тривалим зберіганням промийте виріб і проведіть повне технічне обслуговування.
- Під час транспортування й зберігання використовуйте чохол для транспортування, що допоможе захистити виріб від травм і пошкоджень.
- Під час транспортування надійно закріплюйте виріб.

## Утилізація акумулятора, зарядного пристрою й виробу

Символи на виробі або упаковці виробу вказують на те, що виріб не слід утилізувати разом із побутовими відходами. Утилізацію необхідно проводити на підприємстві з переробки відходів електричного й електронного обладнання. Це допоможе запобігти шкоді навколишньому середовищу й людям.

Зверніться до місцевих органів влади, місцевої служби переробки відходів або дилера по додаткову інформацію про методи утилізації виробу.

## Технічні характеристики

### Технічні характеристики

	215iL
<b>Електродвигун</b>	
Тип двигуна	BLDC
Частота обертання вихідного вала, об/хв	6800
Ширина зрізання, мм	310
<b>Маса</b>	
Маса без акумулятора, кг	2,9
<b>Випромінювання шуму</b> <sup>82</sup>	
Рівень звукової потужності, дБ (А)	90,5
Гарантований рівень звукової потужності, L <sub>WA</sub> дБ(А)	92
<b>Рівні шуму</b> <sup>83</sup>	
Еквівалентний рівень звукового тиску у вусі оператора, виміряний відповідно до стандарту EN ISO 50636-2-91, дБ (А)	74,9
<b>Рівні вібрації</b> <sup>84</sup>	

<sup>82</sup> Випромінювання шуму в середовище, виміряне як звукова потужність (L<sub>WA</sub>), відповідає директиві ЄС 2000/14/ЄС. Різниця між гарантованим і вимірюваним рівнем звукової потужності полягає в тому, що гарантована звукова потужність включає також дисперсію результатів вимірювання й відмінності між різними виробами тієї самої моделі відповідно до Директиви 2000/14/ЄС.

<sup>83</sup> Представлені дані для еквівалентного рівня звукового тиску для виробу мають типову статистичну дисперсію (стандартне відхилення) в 2,5 дБ(А).

<sup>84</sup> Заявлені дані щодо рівня вібрації мають стандартну статистичну розбіжність (стандартне відхилення) у 1,5 м/с<sup>2</sup>.

	<b>215L</b>
Рівень вібрації в ручках, виміряний відповідно до стандарту EN50636-2-91, м/с <sup>2</sup>	4,5 / 2,7
3 установленою (оригінальною) головкою тримера, передня / задня частина.	

### Схвалені акумулятори для виробу

Акумулятор	BLI10		BLI20		40-B70	40-B140
Тип	Літій-іонний		Літій-іонний		Літій-іонний	Літій-іонний
Ємність батареї, ампер-години	Див. паспортну табличку акумулятора		Див. паспортну табличку акумулятора		Див. паспортну табличку акумулятора	Див. паспортну табличку акумулятора
Номінальна напруга, В	36	36,5	36	36,5	36	36
Маса, фунти / кг	0,7	0,7	1,2	1,2	0,8	1,25

### Схвалені зарядні пристрої для виробу

Зарядний пристрій	QC80	40-C80
Напруга електромережі, В	100–240	100–240
Частота, Гц	50–60	50–60
Потужність, Вт	100	72
Вихідна напруга, В пост. струму / ампер, А	36/2	43 / 1,6

---

## Додаткове приладдя

---

### Схвалені аксесуари

Схвалені аксесуари	Тип	Захисний кожух різальної насадки, арт. №
Головка тримера	R25B (шнур діаметром 2 мм)	529 96 69-01

## Декларація відповідності

### Декларація відповідності ЄС

Ми, компанія **Husqvarna AB**, SE-561 82 Huskvarna, Швеція, тел.: +46-36-146500, заявляємо під свою виключну відповідальність, що представлений виріб:

<b>Опис</b>	Акумуляторний тример для трави
<b>Бренд</b>	Husqvarna
<b>Тип / модель</b>	215iL
<b>Ідентифікація</b>	Серійні номери за 2024 рік і пізніше

повністю відповідає таким директивам і нормам ЄС:

Директива / норма	Опис
2006/42/EC	«Про механічне обладнання»
2014/30/EU	«Про електромагнітну сумісність»
2000/14/EC	«Про виділення шуму в навколишнє середовище»
2011/65/EU	«Про обмеження використання деяких небезпечних речовин в електричному й електронному обладнанні»

і що до нього застосовуються вказані далі узгоджені стандарти та (або) технічні специфікації: EN 60335-1:2012/A15:2021, EN 50636-2-91:2014, EN IEC 63000:2018, EN IEC 55014-1:2021; EN IEC 55014-2:2021.

Уповноважений орган: компанія 0197 TÜV Rheinland LGA Products GmbH, Tillystraße 2, 90431 Nürnberg, Germany підтвердила відповідність вимогам Директиви ради ЄС 2000/14/EC, процедура оцінки відповідності: Додаток VI.

Відомості стосовно випромінювання шуму дивіться в розділі *Технічні характеристики на сторінці 451*.

Husqvarna, 2024-02-01



Клас Лосдал (Claes Losdal), директор відділу НДДКР, Husqvarna AB

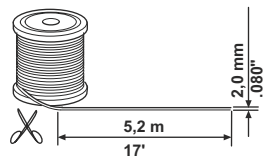
Відповідальний за технічну документацію



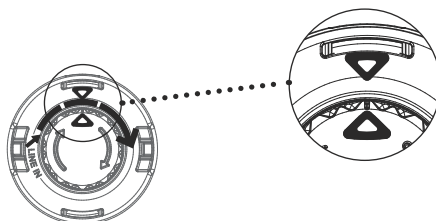
# R25B



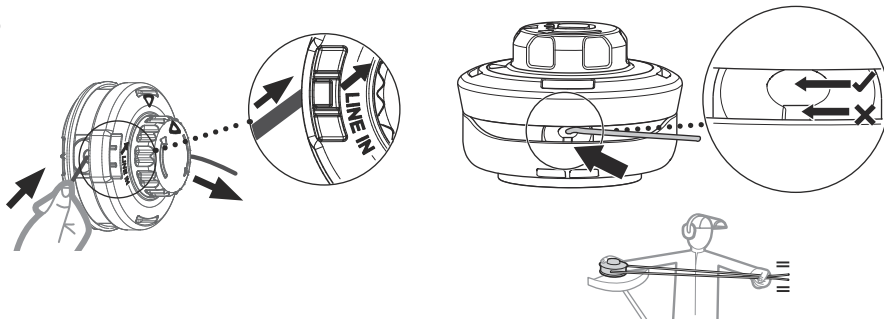
1



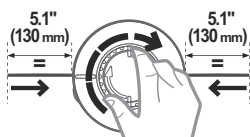
2



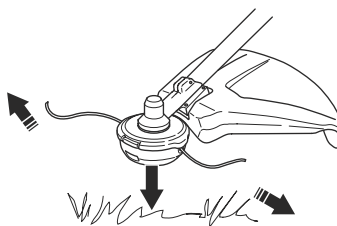
3



4



5







FR

Cet appareil,  
ses cordons,  
et batterie  
se recyclent

À DÉPOSER

EN MAGASIN



OU

À DÉPOSER

EN DÉCHÈTERIE



Points de collecte sur [www.quefairedemesdechets.fr](http://www.quefairedemesdechets.fr)  
Privilégiez la réparation ou le don de votre appareil !

# Husqvarna®

[www.husqvarna.com](http://www.husqvarna.com)

Original instructions  
Оригинални инструкции  
Původní pokyny  
Originale instruktioner  
Originalanweisungen  
Αρχικές οδηγίες  
Instrucciones originales  
Originaljuhend  
Alkuperäiset ohjeet  
Instructions d'origine

Originalne upute  
Eredeti útmutatás  
Istruzioni originali  
取扱説明書原本

Originalios instrukcijos  
Lietošanas pamācība  
Originele instructies  
Originale instruksjoner  
Oryginalne instrukcje  
Instruções originais  
Instrucțiuni inițiale  
Оригинальные инструкции  
Põvodné pokyny  
Izvirna navodila  
Originalna uputstva  
Bruksanvisning i original  
Orjinal talimatlar  
Оригинальні інструкції



FR



1143983-38

Rev. B



2024-03-26